



US00D651029S

(12) **United States Design Patent**
Chen

(10) **Patent No.:** **US D651,029 S**

(45) **Date of Patent:** **** Dec. 27, 2011**

(54) **SOAP DISH**

(76) Inventor: **Yi-Chuan Chen**, Taipei (TW)

(**) Term: **14 Years**

(21) Appl. No.: **29/397,687**

(22) Filed: **Jul. 19, 2011**

(51) **LOC (9) Cl.** **23-02**

(52) **U.S. Cl.** **D6/536**

(58) **Field of Classification Search** D6/536-540,
D6/532; D7/502, 550, 554.2; D9/682, 690,
D9/692; 206/77.1, 557, 587, 823; 211/13.1,
211/85.4, 85.12

See application file for complete search history.

(56) **References Cited**

U.S. PATENT DOCUMENTS

D341,971 S * 12/1993 Corbin D6/536
D351,304 S * 10/1994 Glass D6/536
D377,028 S * 12/1996 Monday D6/536

D533,741 S * 12/2006 Joseph D6/536
D612,180 S * 3/2010 Mayer D6/536
D636,200 S * 4/2011 Yang et al. D6/536

* cited by examiner

Primary Examiner — Brian N Vinson

(74) *Attorney, Agent, or Firm* — Leong C. Lei

(57) **CLAIM**

The ornamental design for a soap dish, as shown and described.

DESCRIPTION

FIG. 1 is a front perspective view of a soap dish showing my new design;

FIG. 2 is a front elevational view thereof;

FIG. 3 is a rear elevational view thereof;

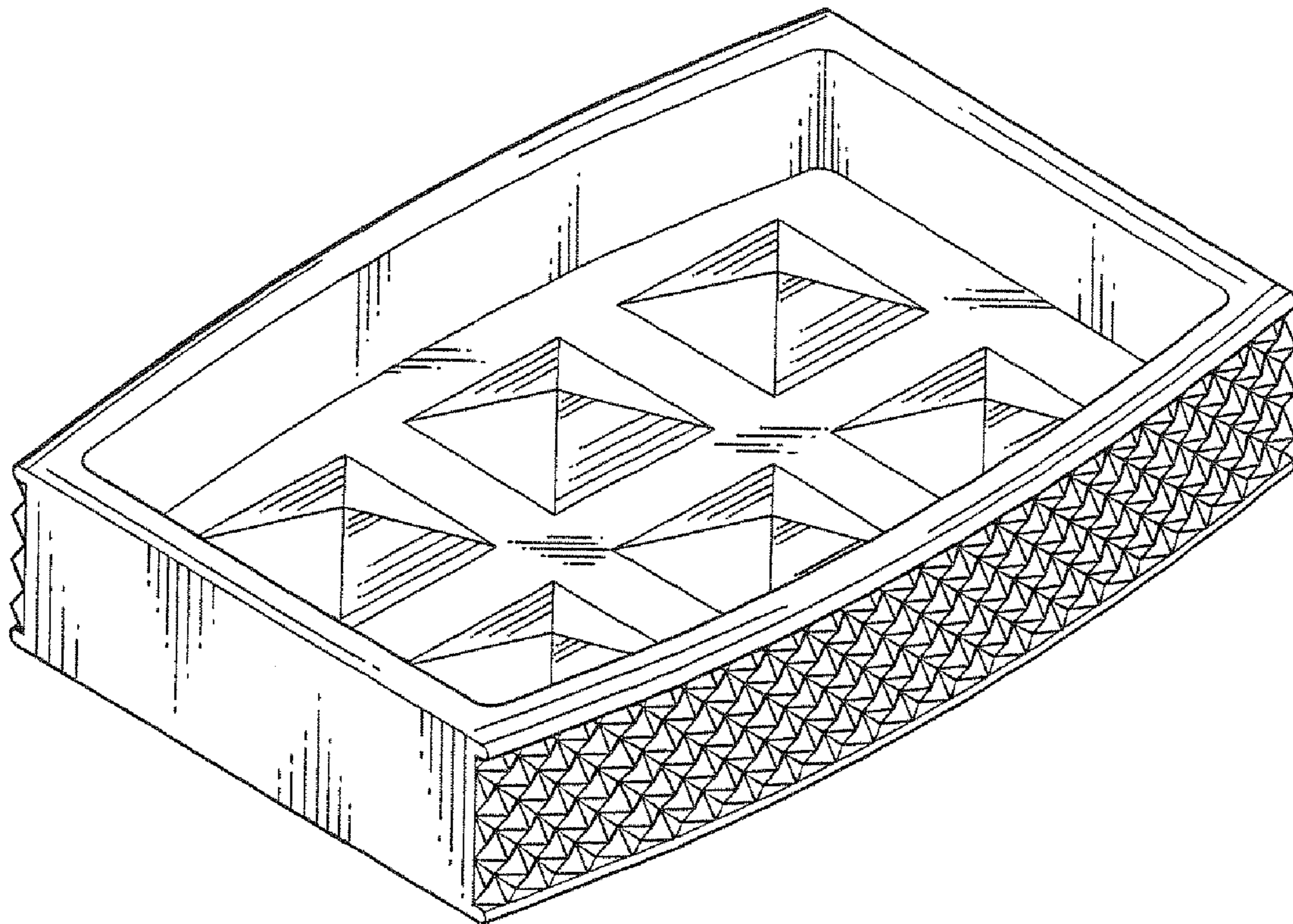
FIG. 4 is a left elevational view thereof;

FIG. 5 is a right elevational view thereof;

FIG. 6 is a top plan view thereof; and,

FIG. 7 is a bottom plan view thereof.

1 Claim, 4 Drawing Sheets



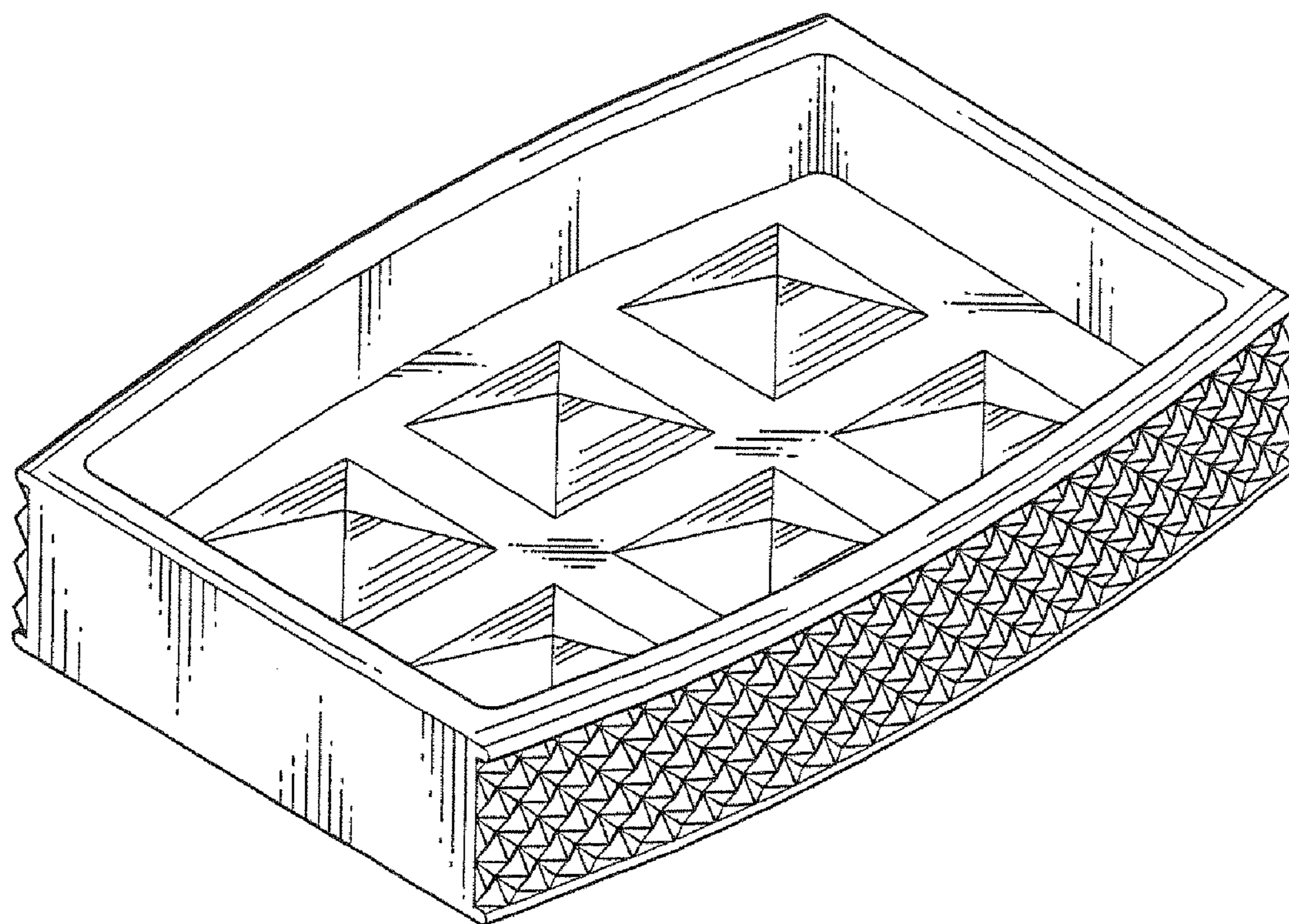


FIG. 1

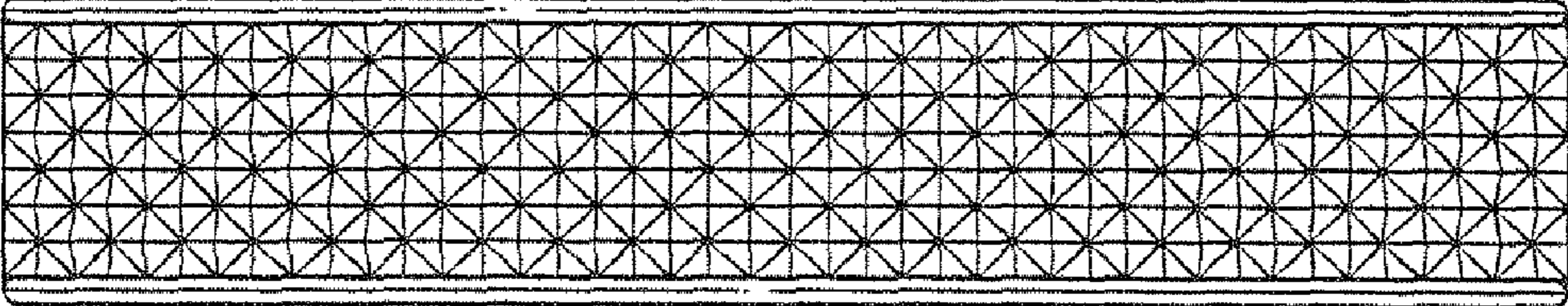


FIG. 2

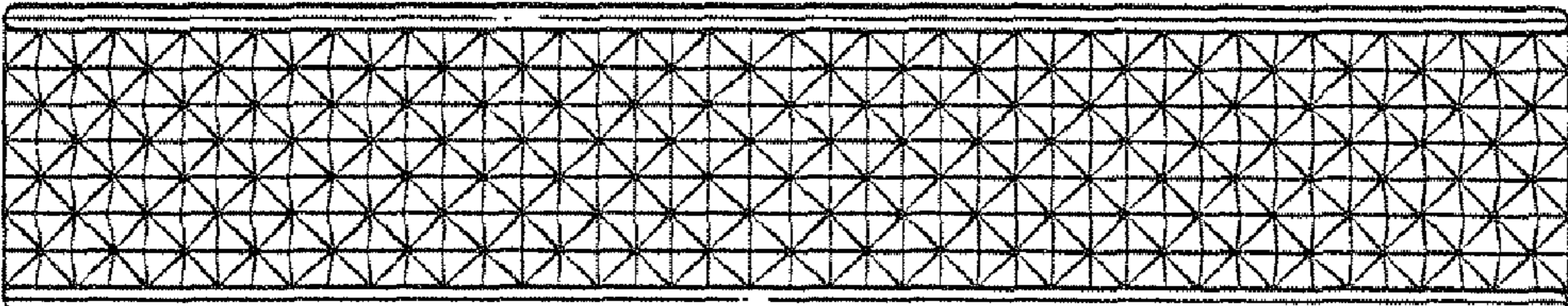


FIG. 3

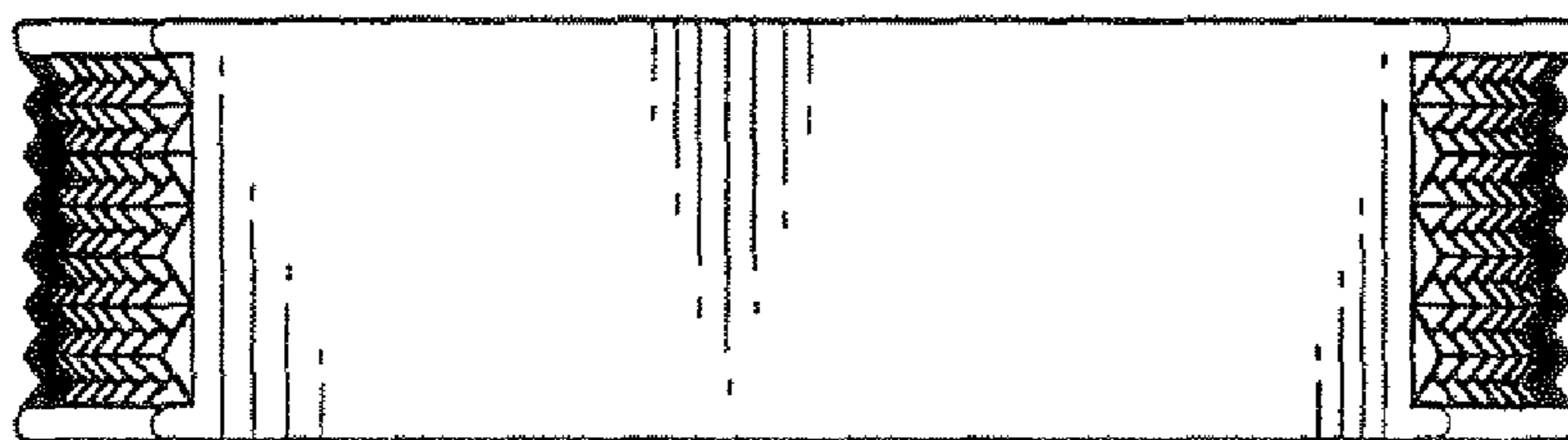


FIG. 4

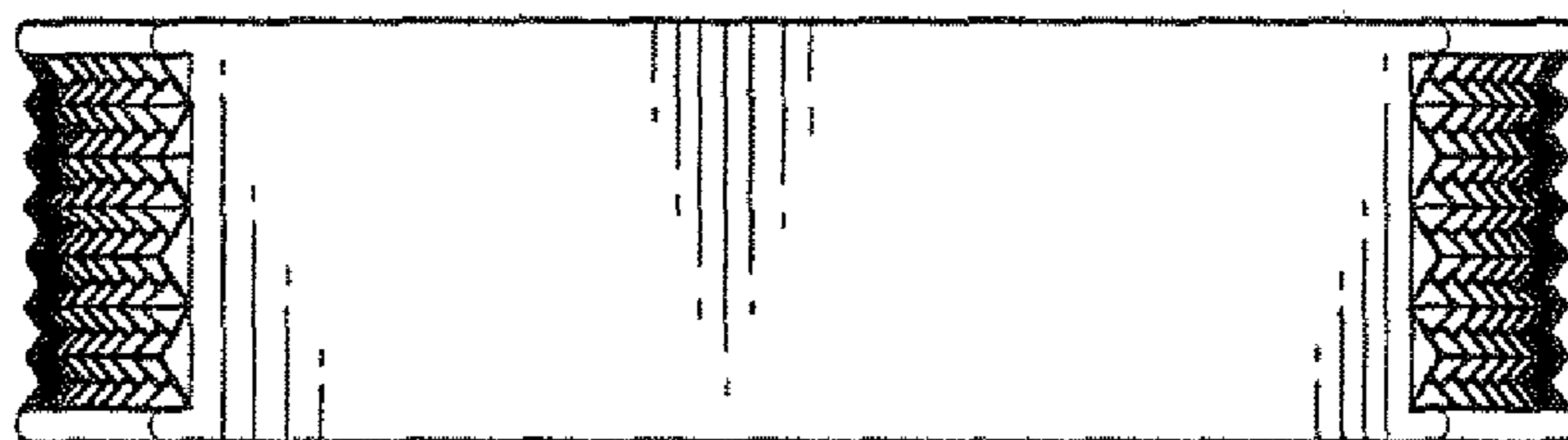


FIG. 5

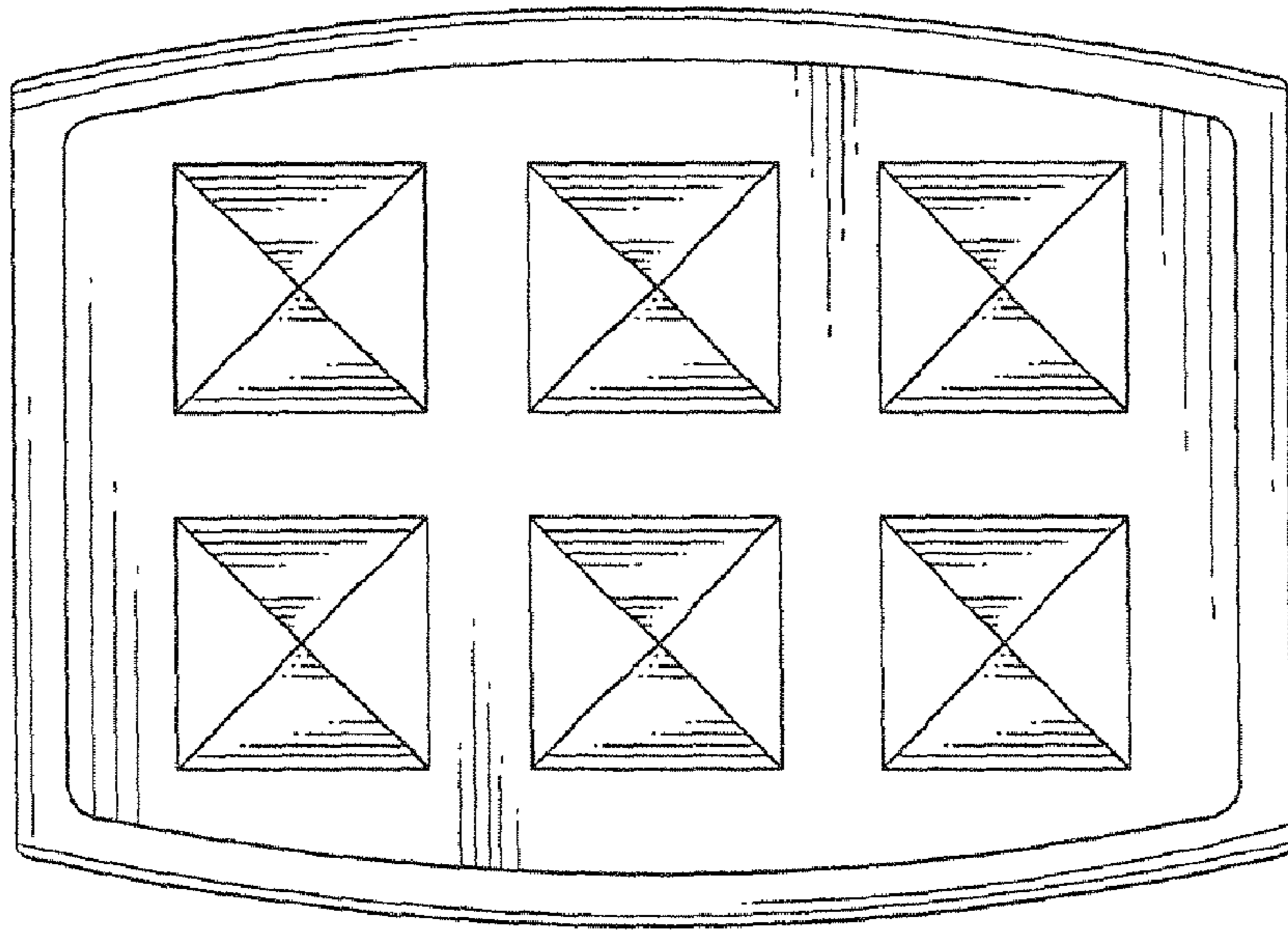


FIG. 6

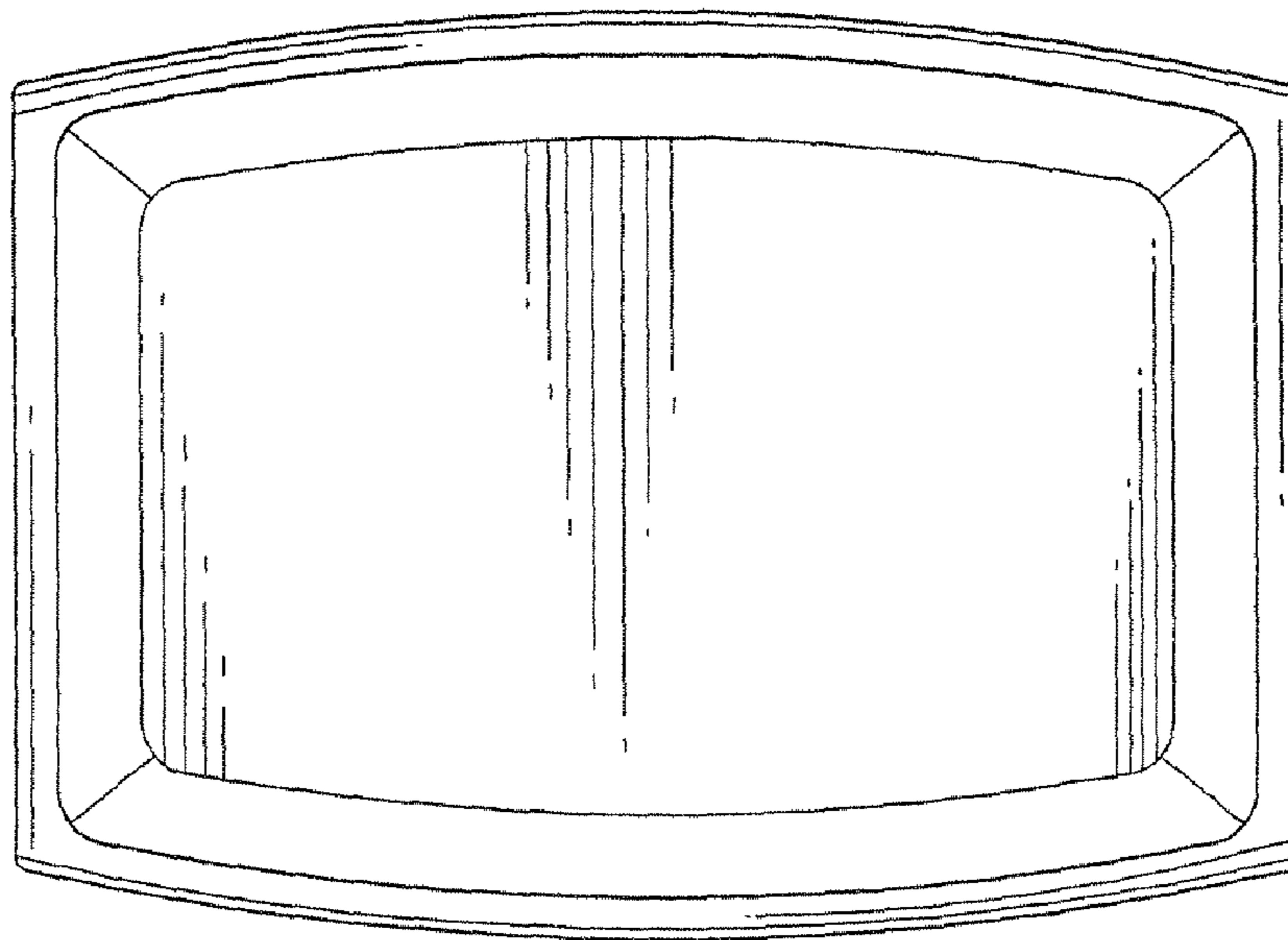


FIG. 7