



US00D651028S

(12) **United States Design Patent**
Grimaldi

(10) **Patent No.:** **US D651,028 S**

(45) **Date of Patent:** **** Dec. 27, 2011**

(54) **TABLE TOP**

(75) Inventor: **Michele Grimaldi**, Rivalta (IT)

(73) Assignee: **Sandrine Thibaud**, Rivalta (Turino) (IT)

(**) Term: **14 Years**

(21) Appl. No.: **29/367,454**

(22) Filed: **Aug. 9, 2010**

(30) **Foreign Application Priority Data**

Mar. 2, 2010 (EP) 001676180-0001

(51) **LOC (9) Cl.** **06-06**

(52) **U.S. Cl.** **D6/511**

(58) **Field of Classification Search** D6/480-489,
D6/429-431, 511, 457, 534; D7/707, 600.4;
209/704; 211/66, 70, 163, 70.1, 78, 85.29;
D19/85; 108/150, 153.1, 155, 156, 161,
108/25; D8/20, 70; 83/835; 451/547

See application file for complete search history.

(56) **References Cited**

U.S. PATENT DOCUMENTS

D48,739 S * 3/1916 Sommerville D6/457
2,903,782 A * 9/1959 Cowley 83/676
3,472,389 A * 10/1969 Lowe 211/70

D257,308 S * 10/1980 English D6/511
4,334,623 A * 6/1982 Geary 211/85.29
5,471,970 A * 12/1995 Sakarcac 125/15
D474,057 S * 5/2003 Knox et al. D6/534
6,938,766 B1 * 9/2005 Lee 211/163
D513,948 S * 1/2006 Martin D7/707
D513,952 S * 1/2006 Lee et al. D8/70
D526,553 S * 8/2006 Um D8/70
D571,127 S * 6/2008 Cartwright D6/480
2004/0035281 A1 * 2/2004 Gaynor 83/835

* cited by examiner

Primary Examiner — Janice Seeger

(74) *Attorney, Agent, or Firm* — Buchanan Nipper

(57) **CLAIM**

The ornamental design for a table top, as shown and described.

DESCRIPTION

FIG. 1 is an upper perspective view of a table top showing my new design;

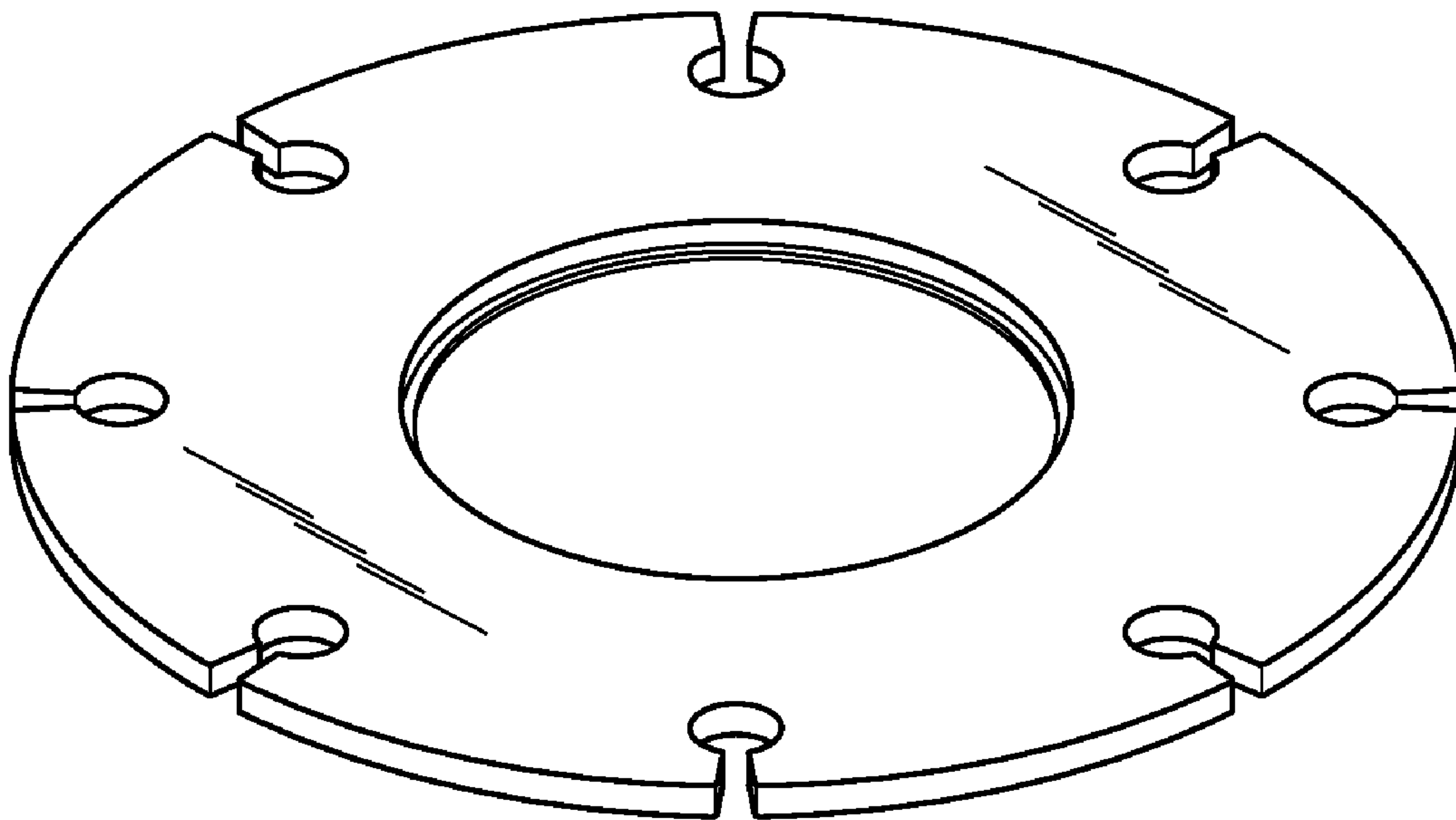
FIG. 2 is an elevation view thereof;

FIG. 3 is a top plan view thereof;

FIG. 4 is a bottom plan view thereof; and,

FIG. 5 is a second upper perspective, environmental view, the broken line showing of a hanging purse, champagne stemware, and bottle of champagne within an ice bucket is for the purpose of illustrating environmental structure and forms no part of the claimed design.

1 Claim, 3 Drawing Sheets



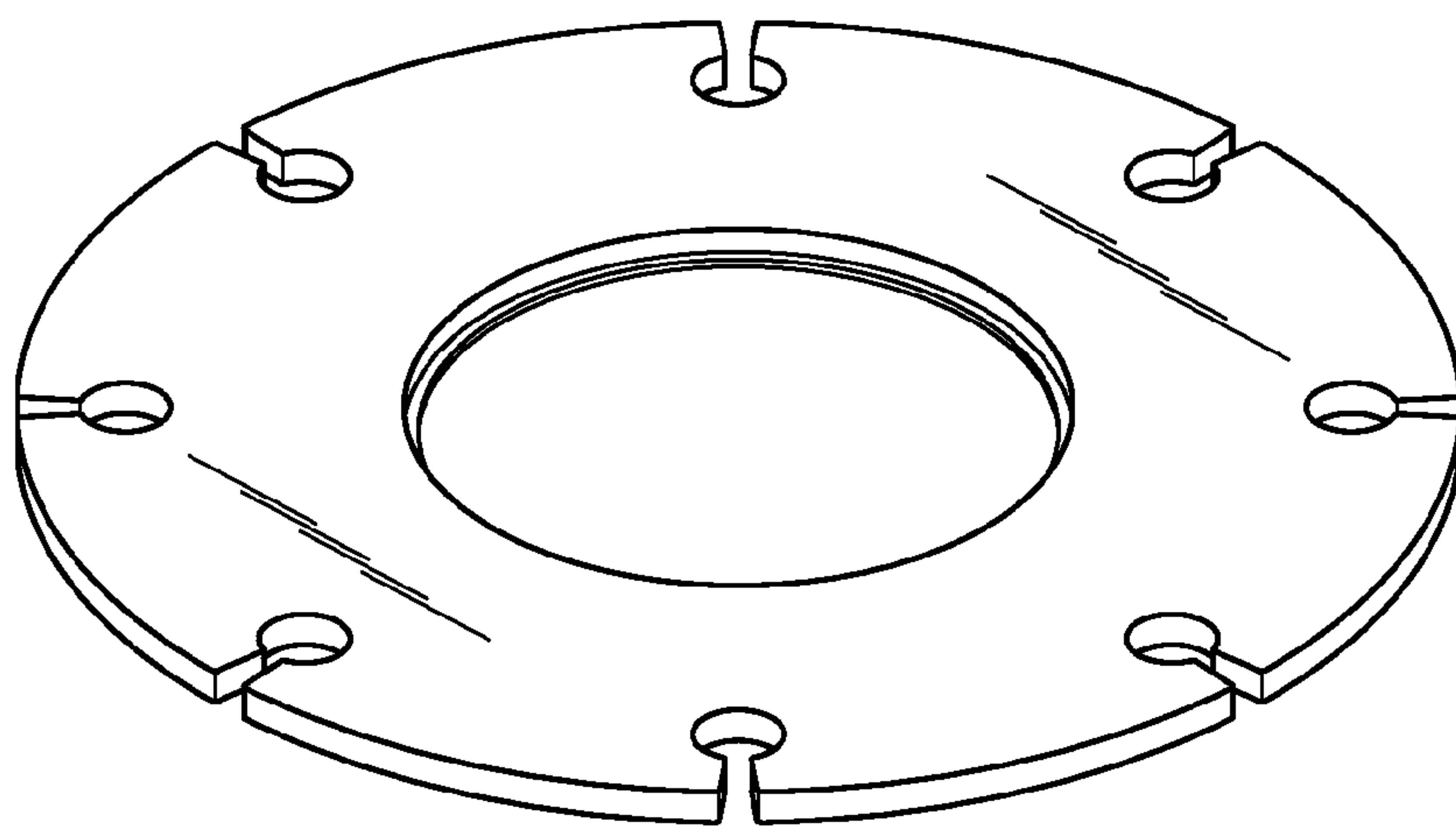


FIG. 1



FIG. 2

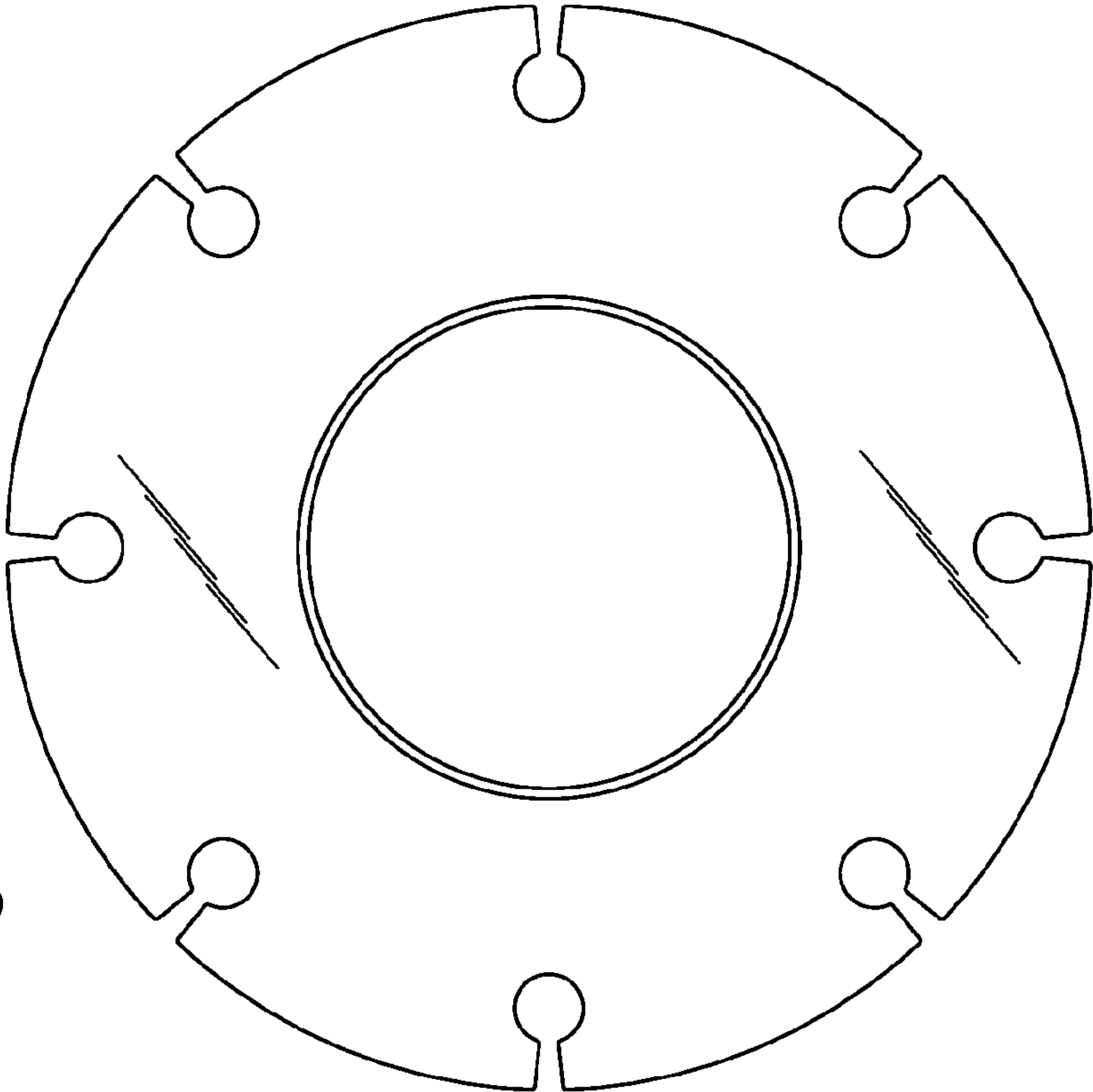


FIG. 3

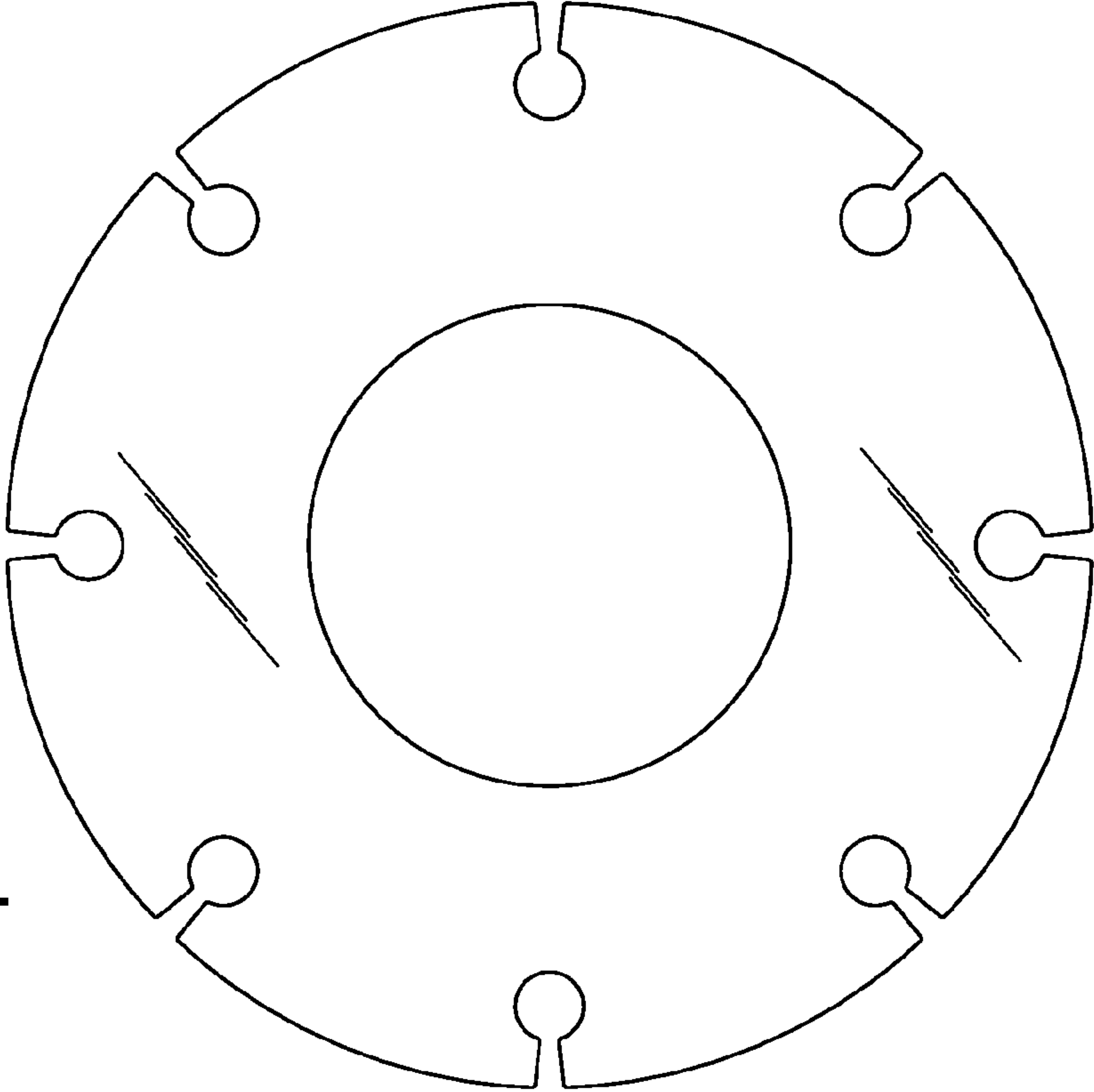


FIG. 4

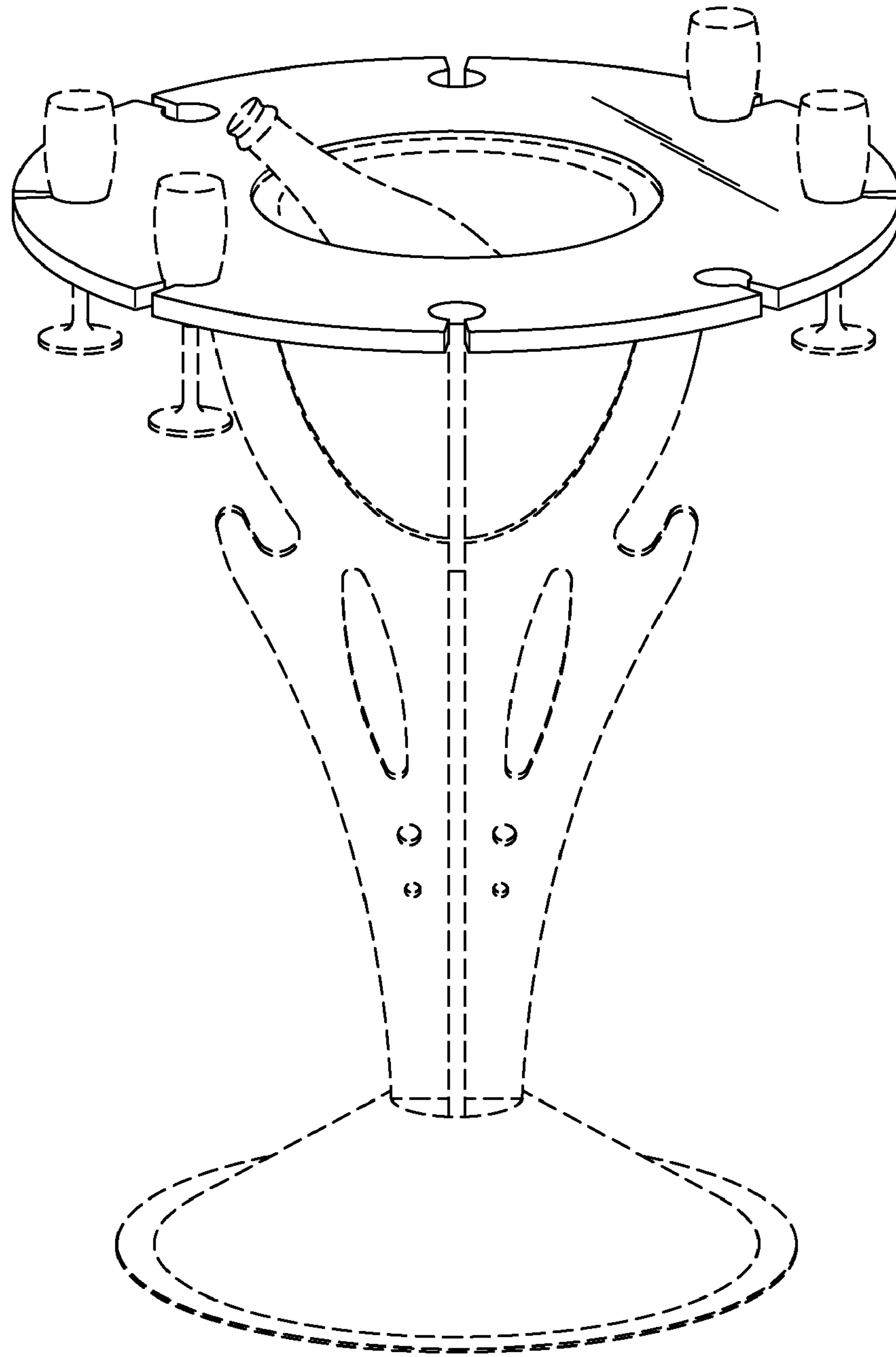


FIG. 5