



US00D651026S

(12) **United States Design Patent**
Lievore et al.

(10) **Patent No.:** **US D651,026 S**

(45) **Date of Patent:** **** Dec. 27, 2011**

(54) **CHAIR**

(75) Inventors: **Alberto Lievore**, Barcelona (ES);
Jannette Altherr, Barcelona (ES);
Manuel Molina, Barcelona (ES)

(73) Assignee: **Andreu World S.A.**, Valencia (ES)

(**) Term: **14 Years**

(21) Appl. No.: **29/356,749**

(22) Filed: **Mar. 2, 2010**

(30) **Foreign Application Priority Data**

Sep. 2, 2009 (EM) 1162119

(51) **LOC (9) Cl.** **06-01**

(52) **U.S. Cl.** **D6/500**

(58) **Field of Classification Search** D6/334-336,
D6/370, 374, 375, 376, 379, 380, 499, 500-502;
297/239, 445.1, 446.1, 448.1, 452.12, 452.19,
297/452.2, DIG. 2

See application file for complete search history.

(56) **References Cited**

U.S. PATENT DOCUMENTS

D472,745 S *	4/2003	Haney et al.	D6/502
D502,331 S *	3/2005	Socha et al.	D6/374
D512,236 S *	12/2005	Preisig	D6/374
D552,859 S *	10/2007	Hock	D6/374
D600,934 S *	9/2009	Woolley	D6/375

* cited by examiner

Primary Examiner — Brian N Vinson

(74) *Attorney, Agent, or Firm* — Merchant & Gould P.C.

(57) **CLAIM**

The ornamental design for a chair, as shown and described.

DESCRIPTION

FIG. 1 is a back perspective view showing our design thereof;
FIG. 2 is a bottom plan view;
FIG. 3 is a top plan view;
FIG. 4 is a front perspective view;
FIG. 5 is an elevated front view;
FIG. 6 is an elevated left side view
FIG. 7 is an elevated right side view;
FIG. 8 is a second front perspective view; and,
FIG. 9 is a second rear perspective view thereof.

1 Claim, 9 Drawing Sheets

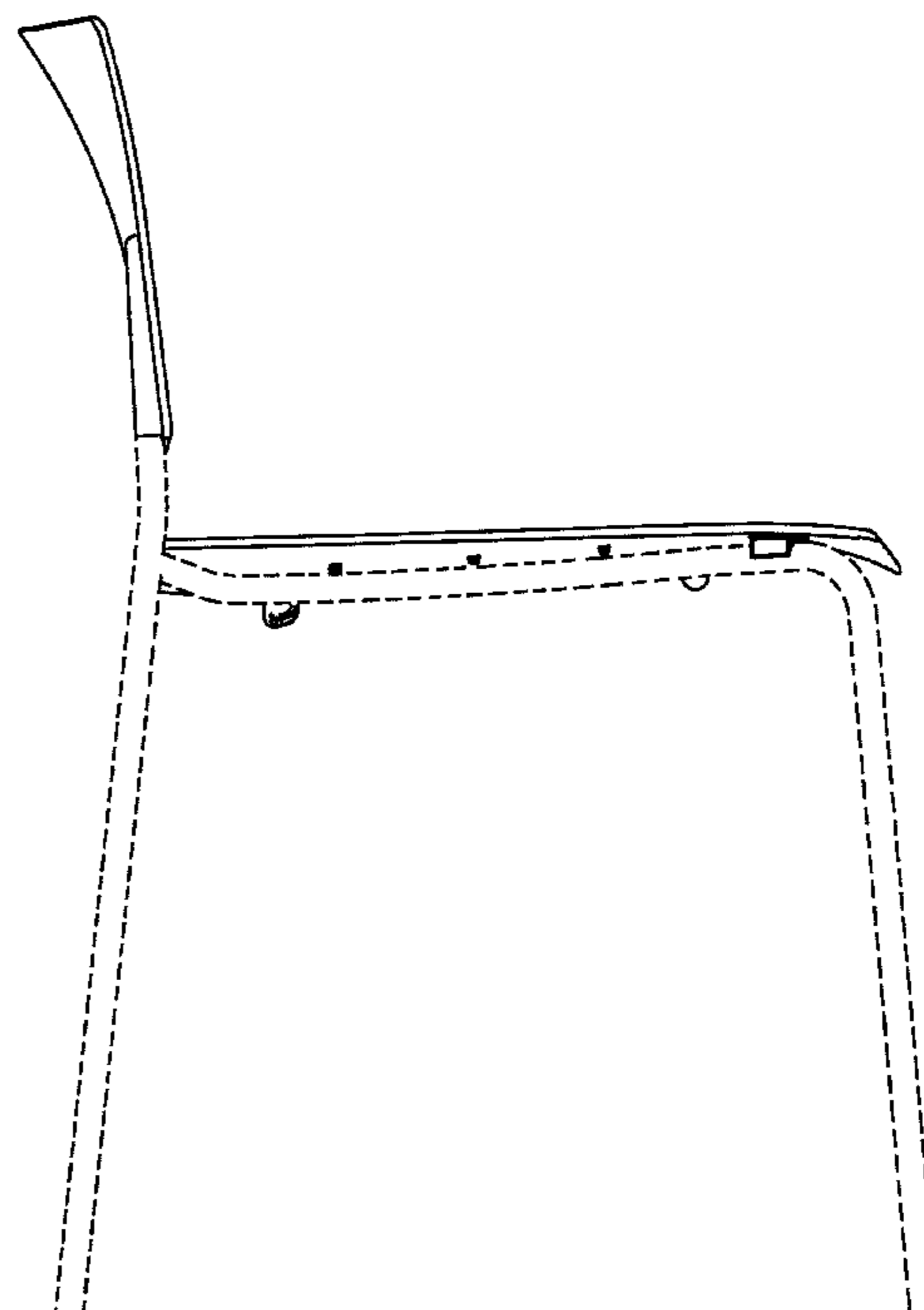
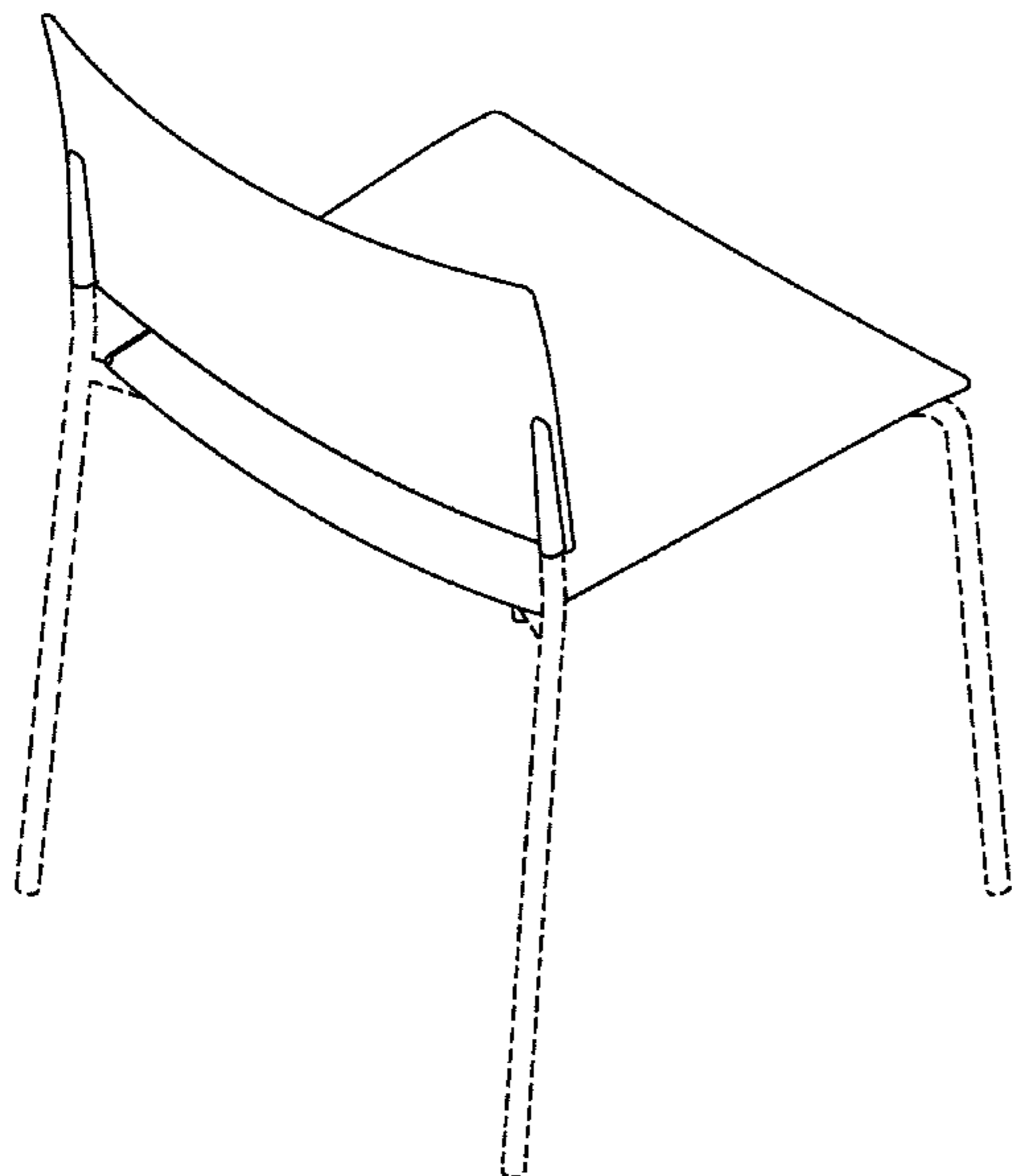


FIGURE 1

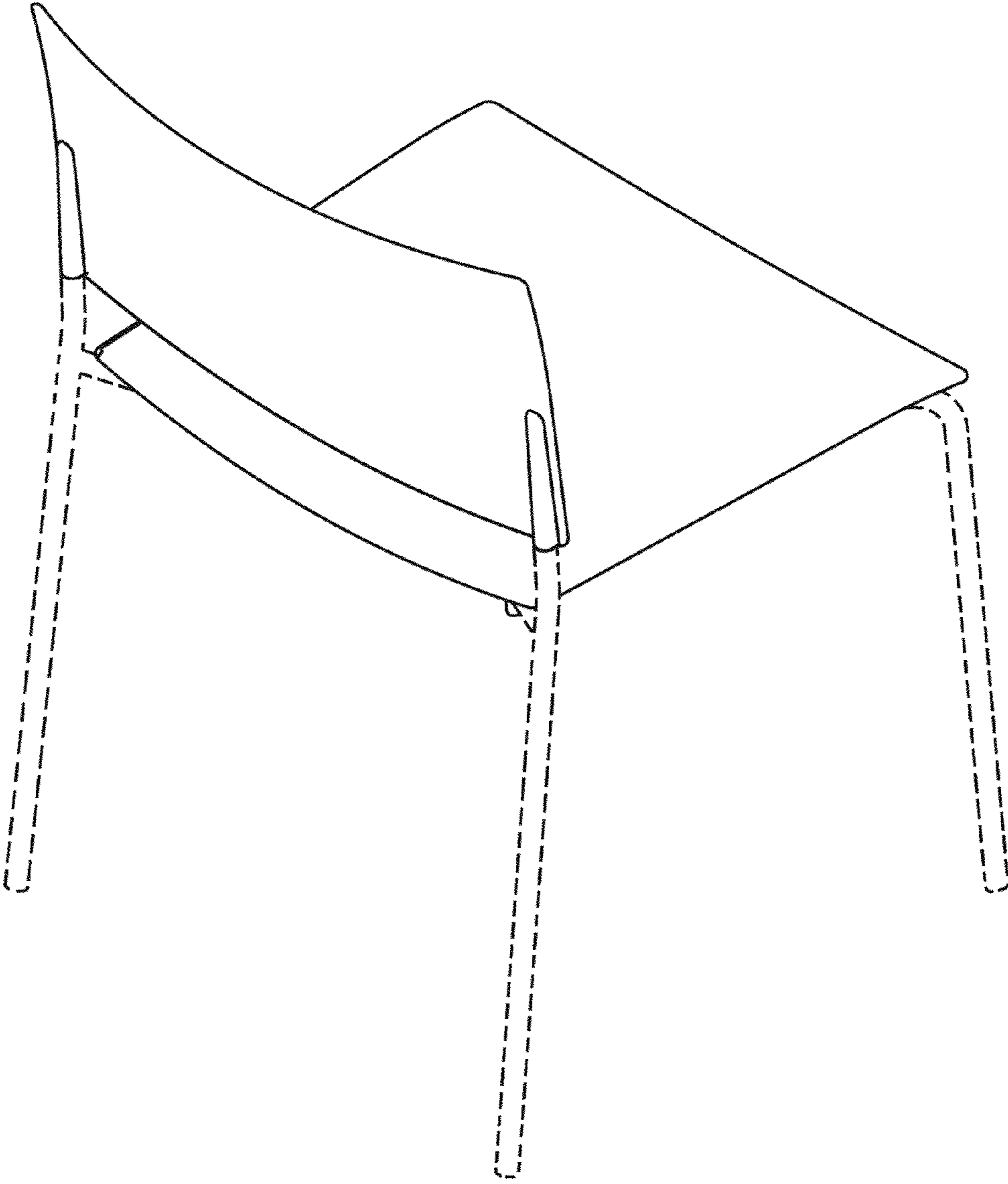


FIGURE 2

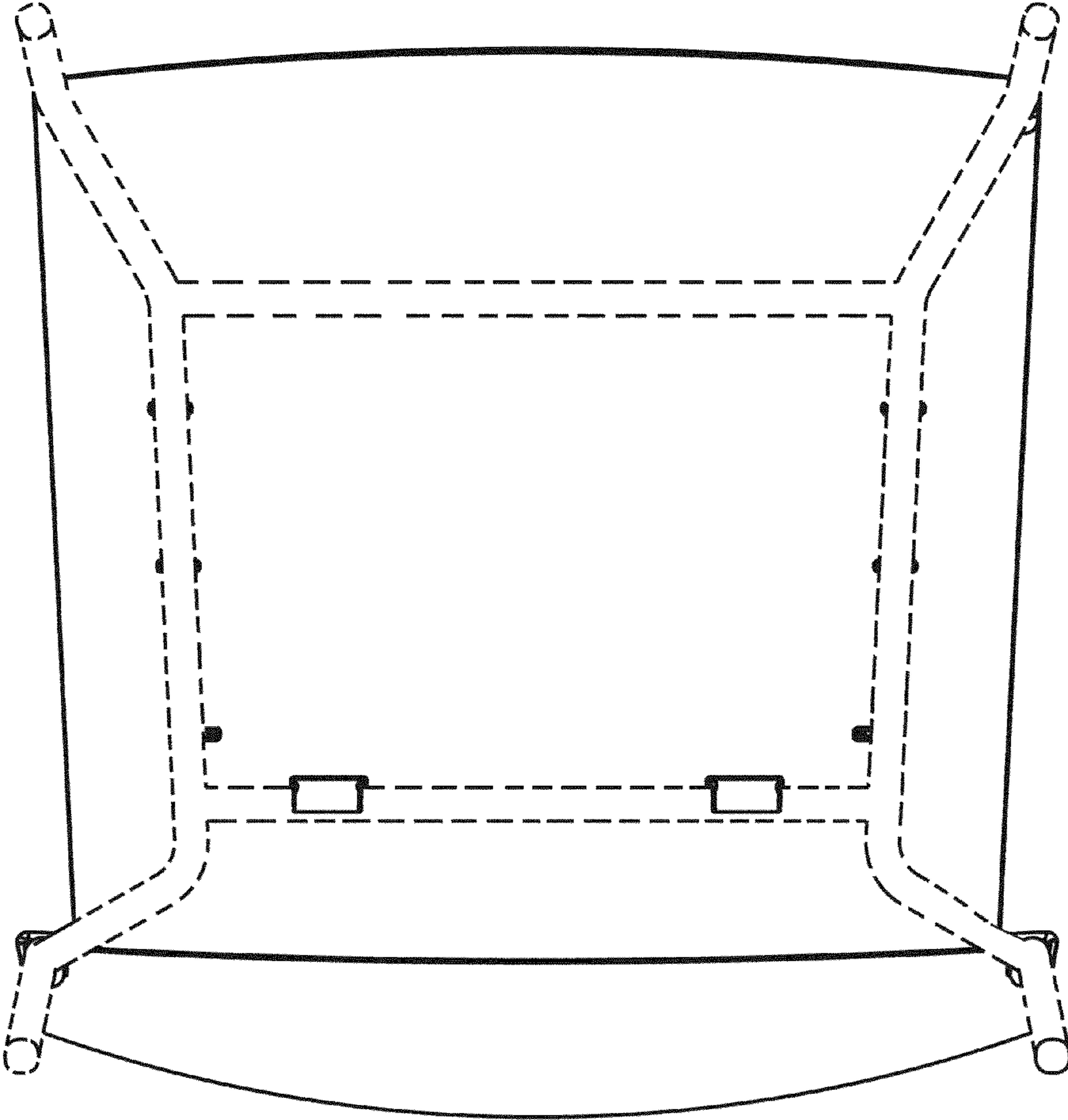


FIGURE 3

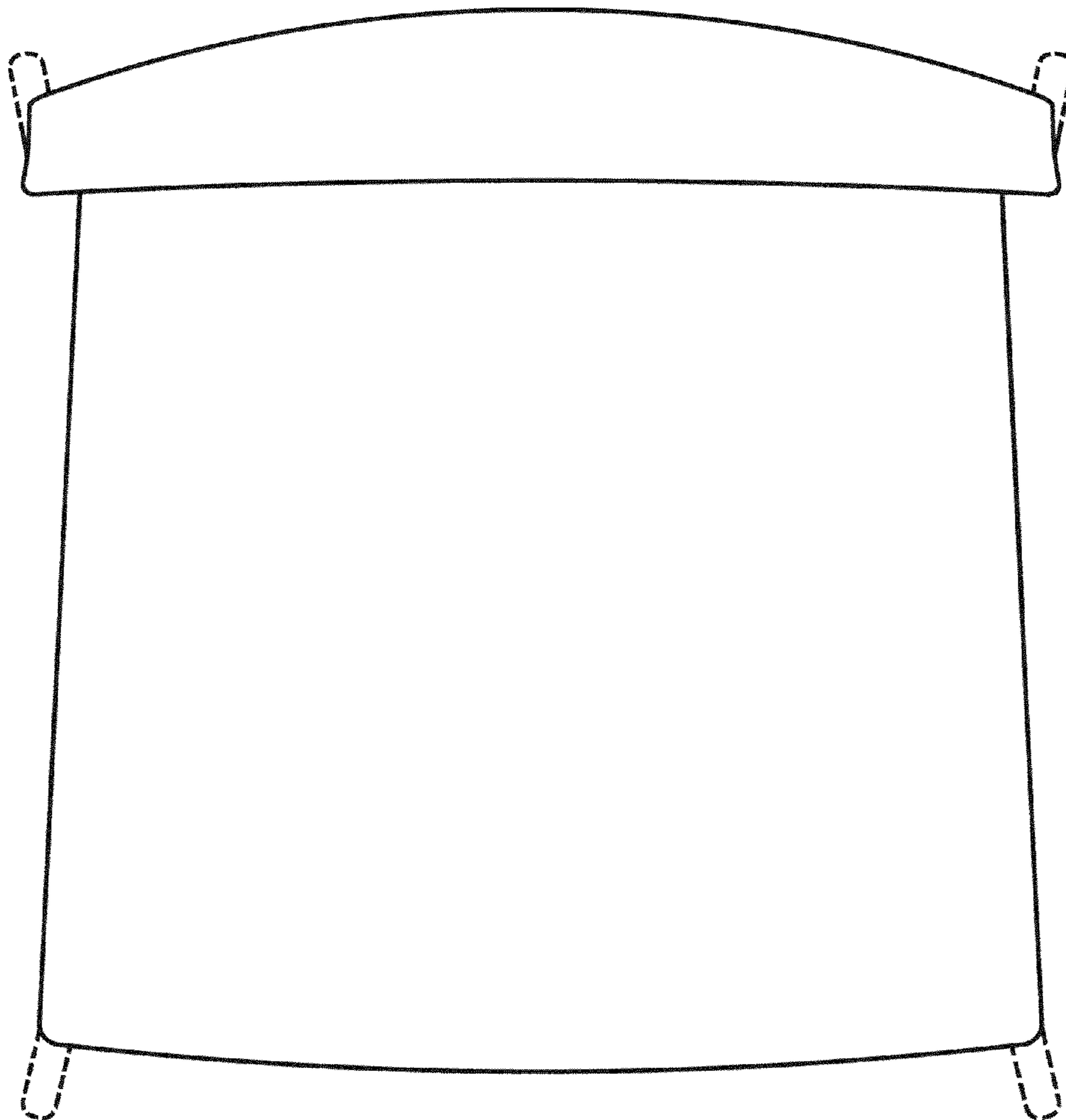


FIGURE 4

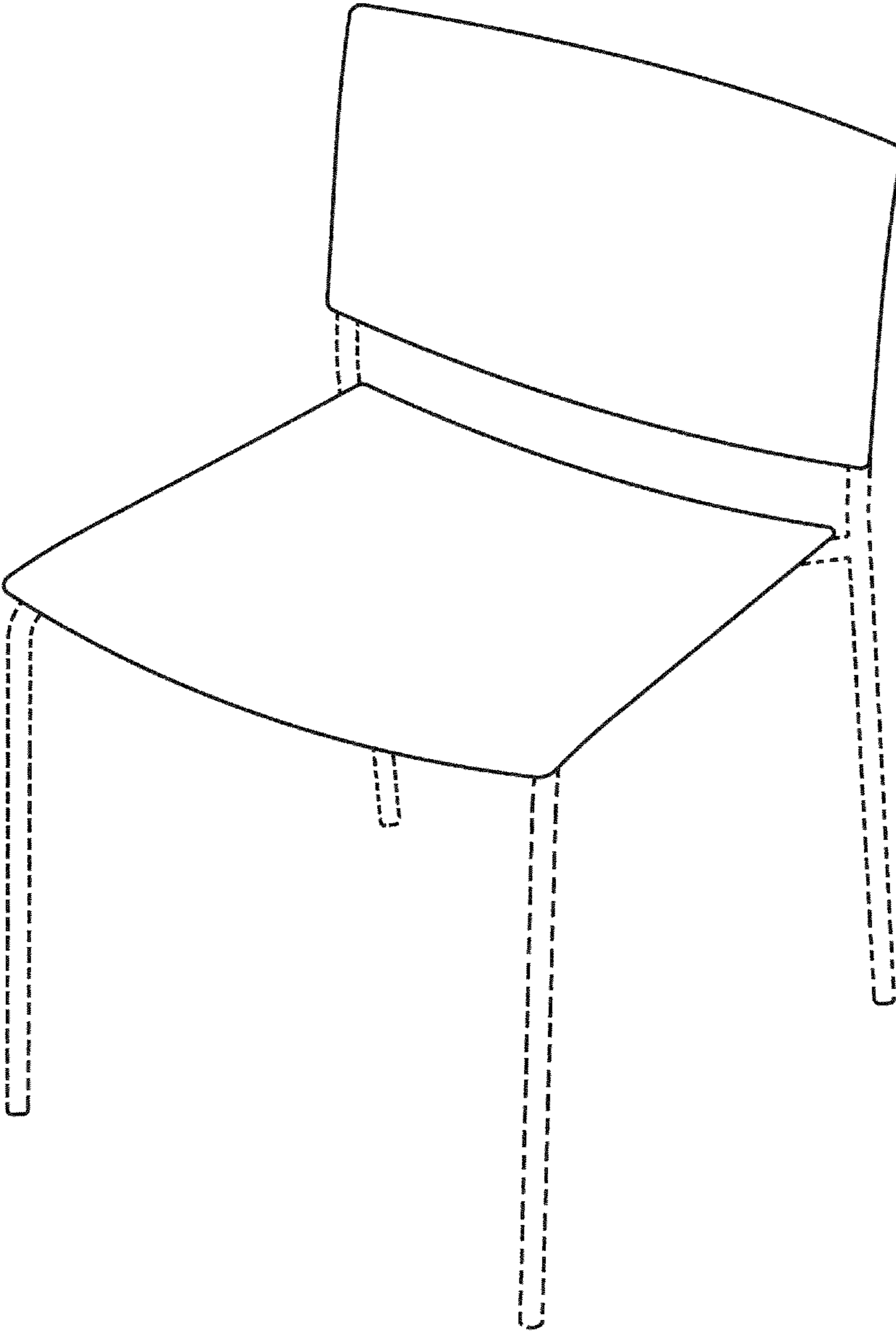


FIGURE 5

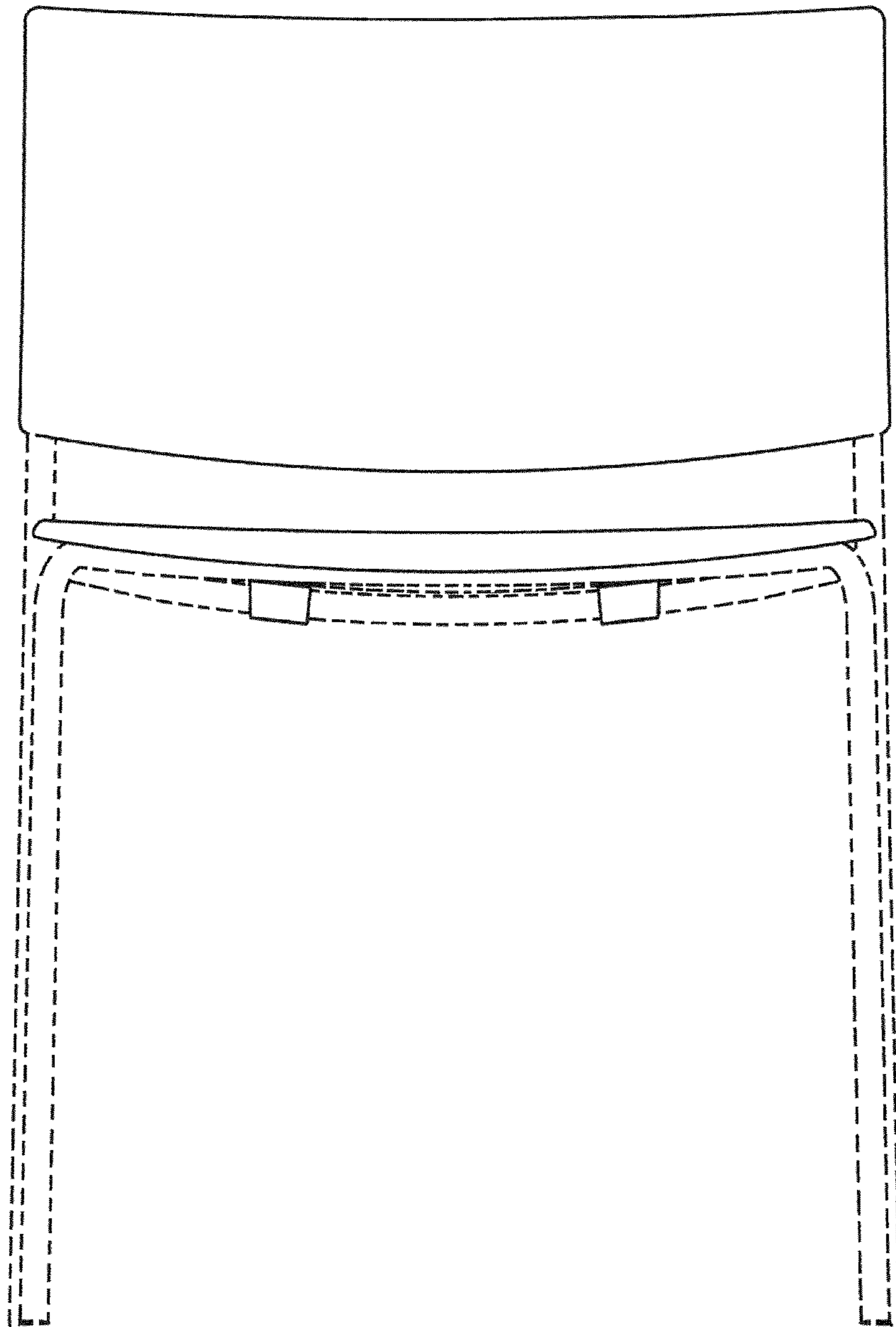


FIGURE 6

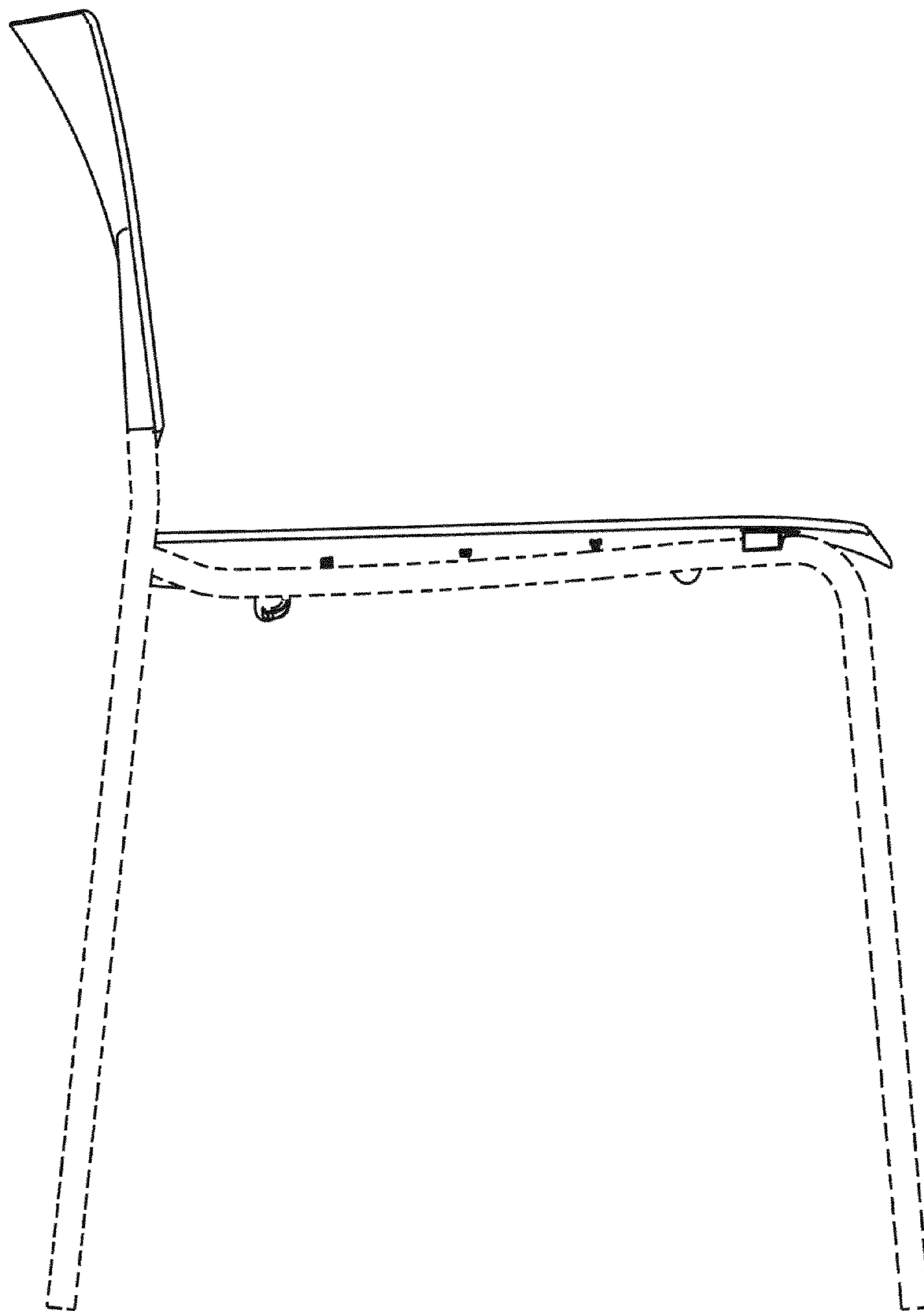


FIGURE 7

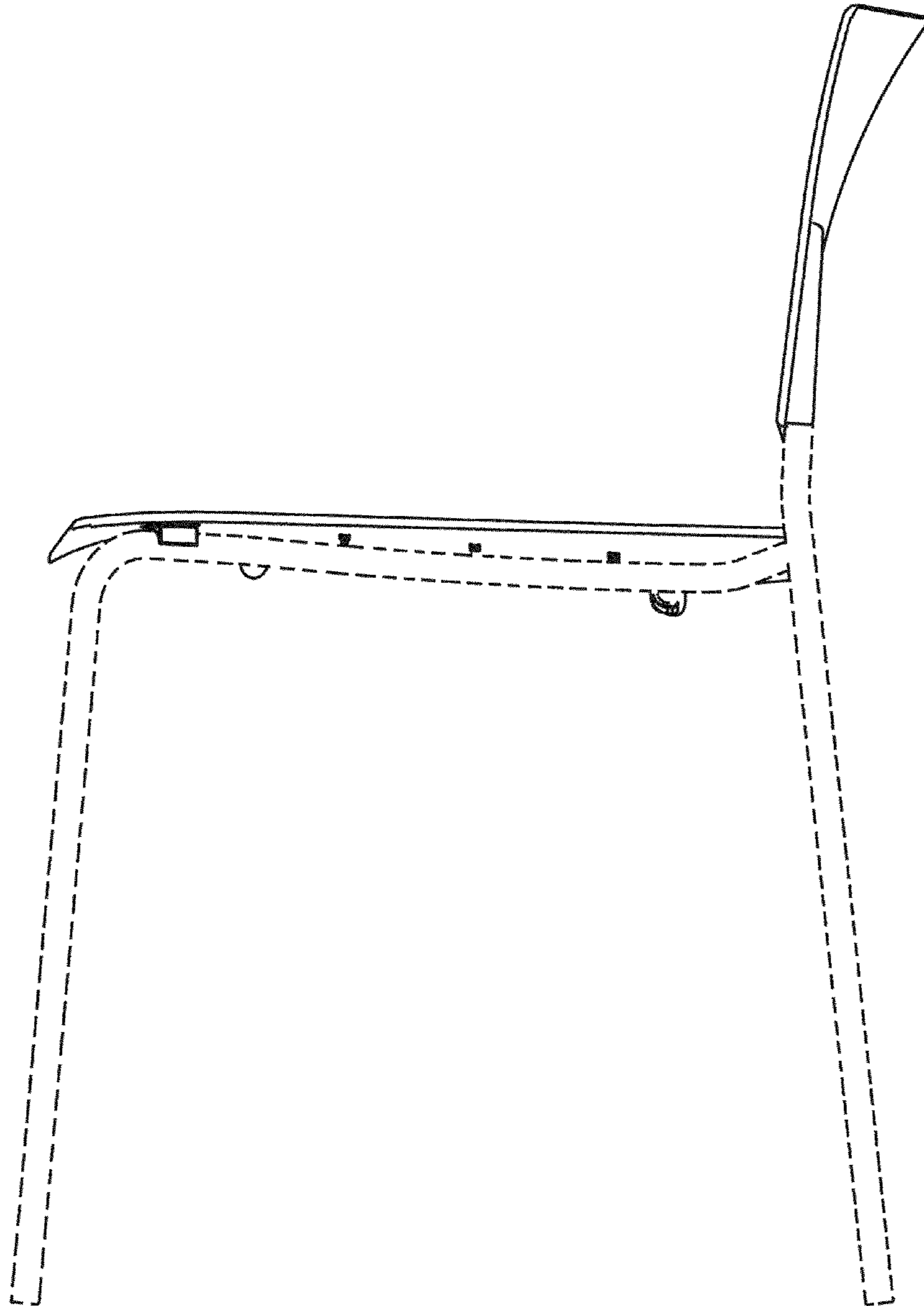


FIGURE 8

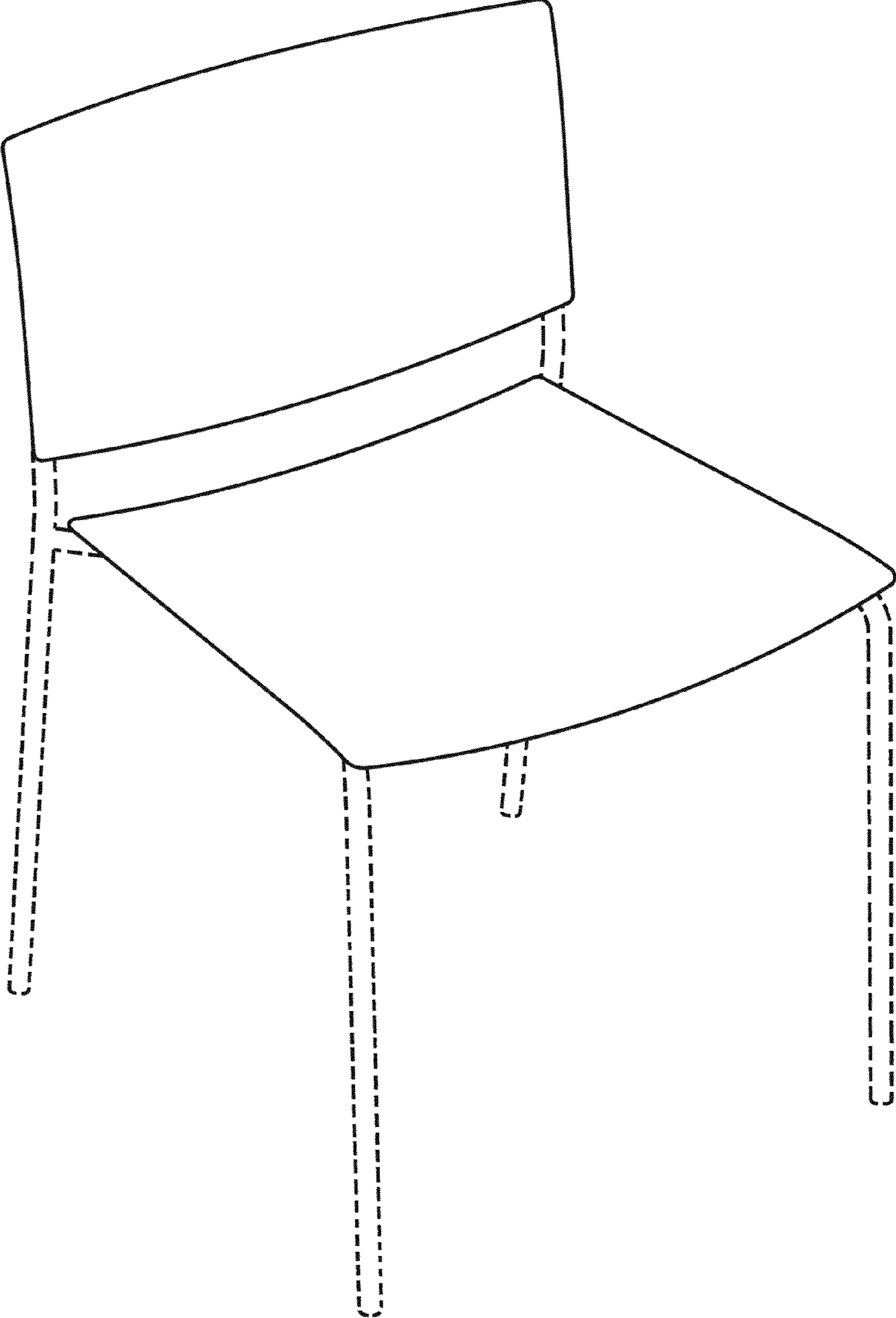


FIGURE 9

