



US00D651023S

(12) **United States Design Patent**
Sparkowski

(10) **Patent No.:** **US D651,023 S**

(45) **Date of Patent:** **** Dec. 27, 2011**

(54) **BUBBLE RACK**

(75) Inventor: **Robert P. Sparkowski**, Schaumburg, IL (US)

(73) Assignee: **Chicago Display Marketing Corporation**, River Grove, IL (US)

(**) Term: **14 Years**

(21) Appl. No.: **29/392,347**

(22) Filed: **May 19, 2011**

(51) **LOC (9) Cl.** **06-04**

(52) **U.S. Cl.** **D6/455**

(58) **Field of Classification Search** D6/396,
D6/408-410, 449, 450, 454-469; 211/1,
211/10, 13.1, 27, 44, 50-53, 70, 70.1; 248/579
See application file for complete search history.

(56) **References Cited**

U.S. PATENT DOCUMENTS

D23,735 S *	10/1894	Driggs	D6/450
D191,812 S *	11/1961	Tirlet	D6/458
D221,571 S *	8/1971	Stevens	D6/459
3,711,021 A *	1/1973	Tantillo	248/579
D234,475 S *	3/1975	Markus	D6/450
D236,923 S *	9/1975	Kinzie	D6/459
D239,579 S *	4/1976	Taub	D6/458
D314,294 S *	2/1991	Axhamre	D6/458
D453,883 S *	2/2002	Conde	D6/455
D527,205 S *	8/2006	Axhamre	D6/458
D606,777 S *	12/2009	Weiss	D6/449

* cited by examiner

Primary Examiner — Mary Ann Calabrese

(74) *Attorney, Agent, or Firm* — Michael Best & Friedrich LLP

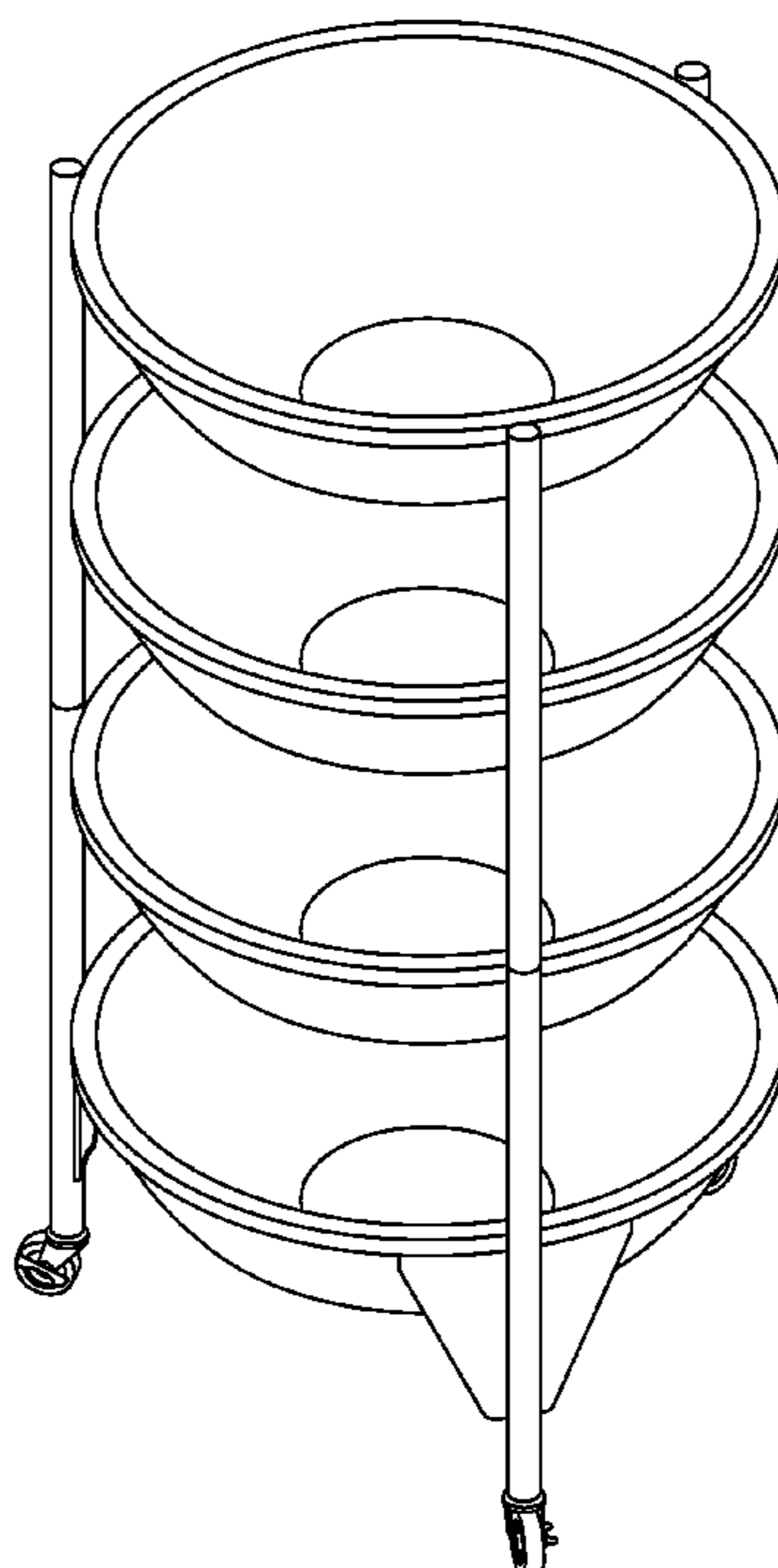
(57) **CLAIM**

I claim the ornamental design for a bubble rack, as shown and described.

DESCRIPTION

FIG. 1 is a perspective view of a bubble rack.
 FIG. 2 is a right side elevation view of the bubble rack shown in FIG. 1.
 FIG. 3 is a front elevation view of the bubble rack shown in FIG. 1.
 FIG. 4 is a left side elevation view of the bubble rack shown in FIG. 1.
 FIG. 5 is a rear elevation view of the bubble rack shown in FIG. 1.
 FIG. 6 is a bottom view of the bubble rack shown in FIG. 1.
 FIG. 7 is a top view of the pusher display unit shown in FIG. 1.
 FIG. 8 is a perspective view of the bubble rack shown in FIG. 1, showing environment in broken lines.
 FIG. 9 is a left side elevation view of the bubble rack shown in FIG. 1, showing environment in broken lines.
 FIG. 10 is a front elevation view of the bubble rack shown in FIG. 1, showing environment in broken lines.
 FIG. 11 is a right elevation view of the bubble rack shown in FIG. 1, showing environment in broken lines.
 FIG. 12 is a rear elevation view of the bubble rack shown in FIG. 1, showing environment in broken lines; and,
 FIG. 13 is a top view of the bubble rack shown in FIG. 1, showing environment in broken lines.
 The broken lines form no part of the claimed design.

1 Claim, 12 Drawing Sheets



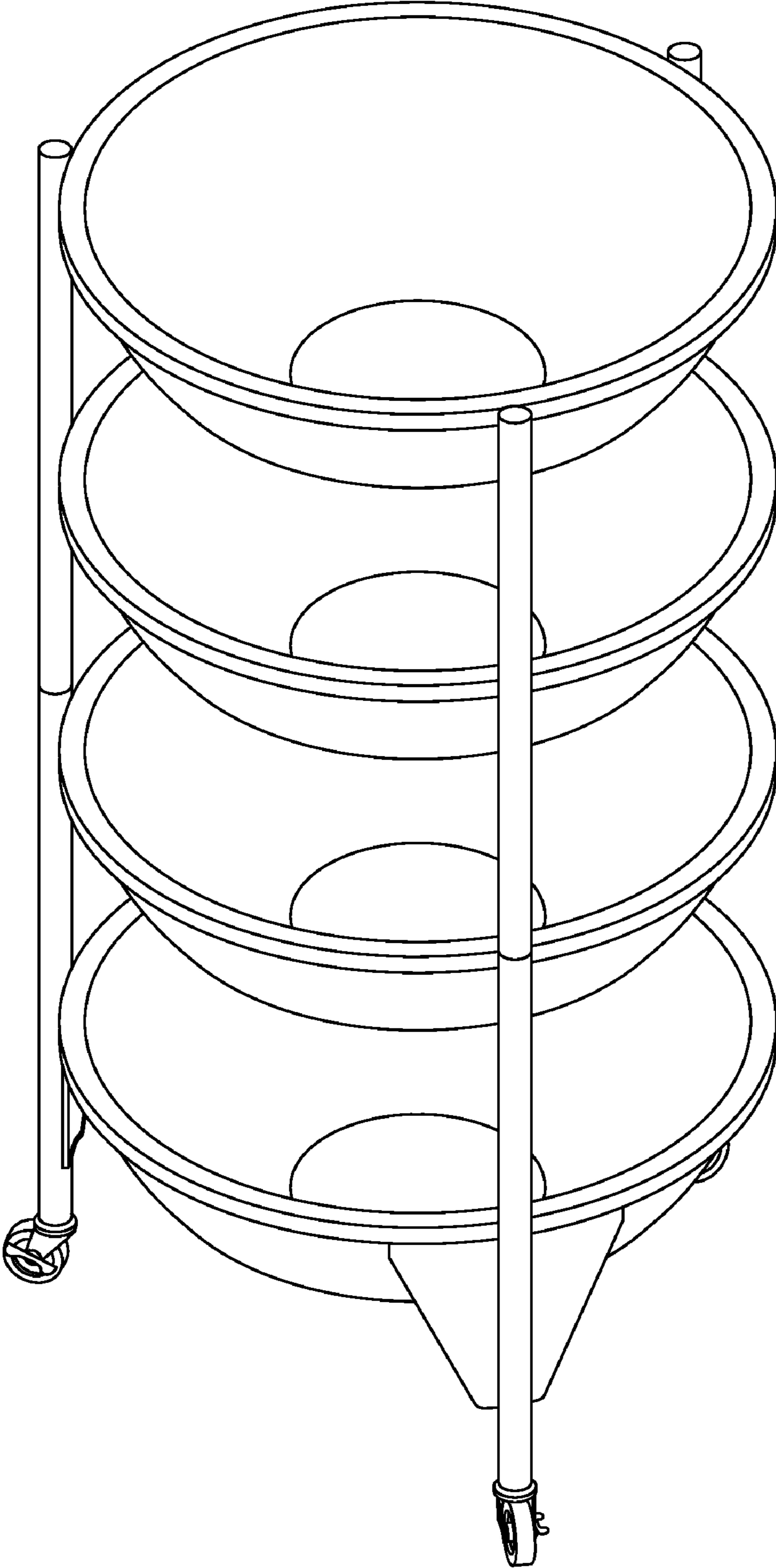


FIG. 1

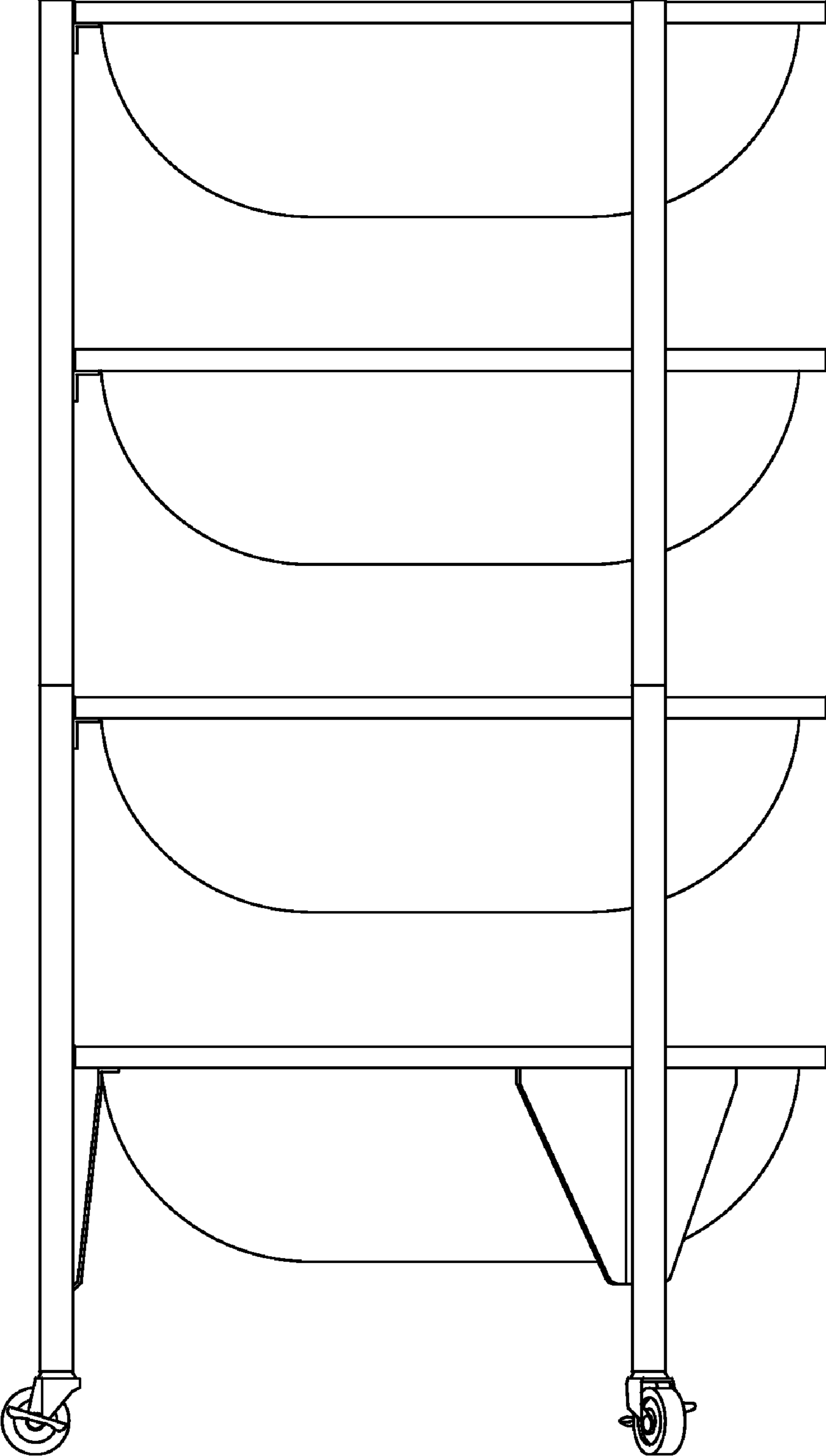


FIG. 2

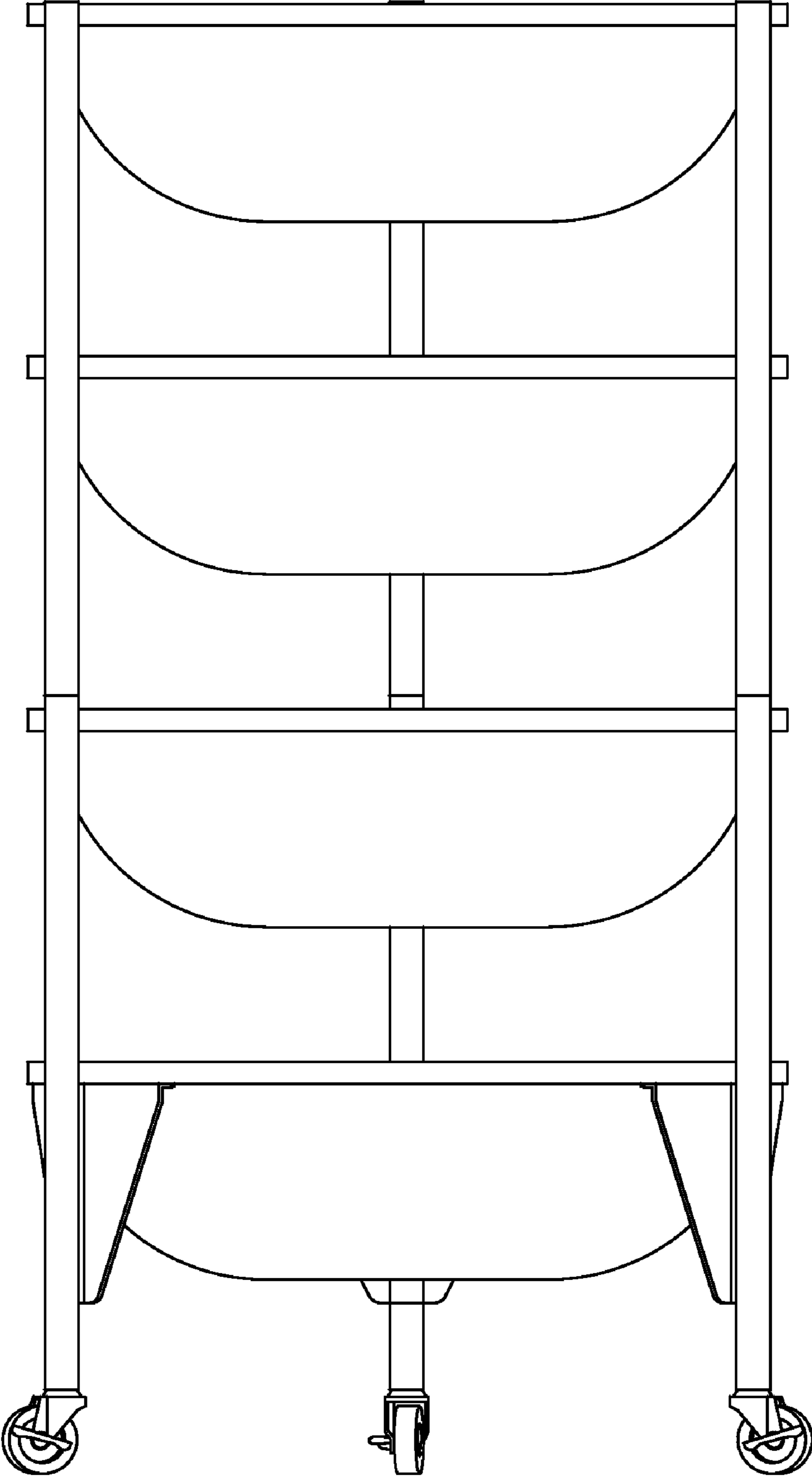


FIG. 3

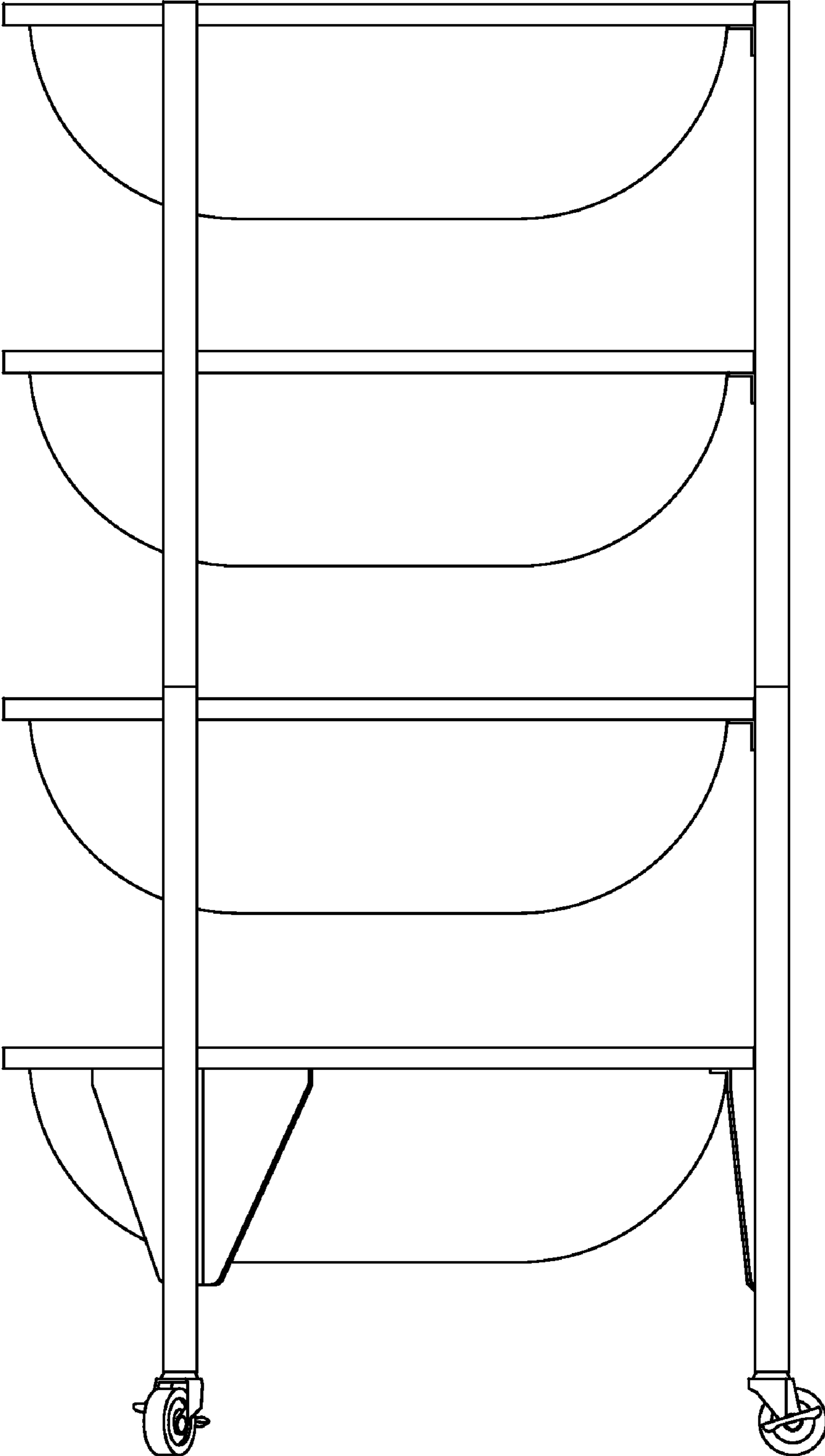


FIG. 4

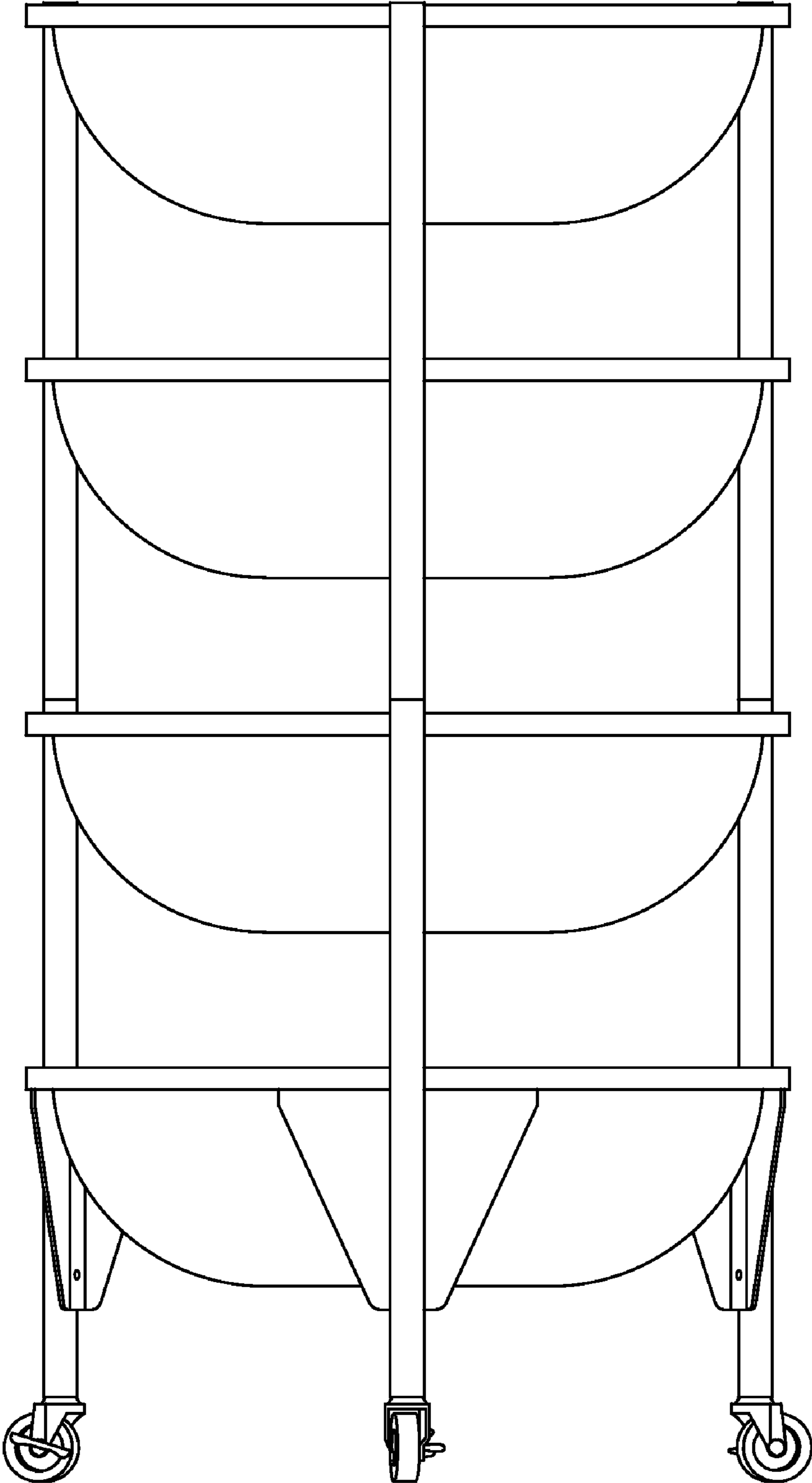


FIG. 5

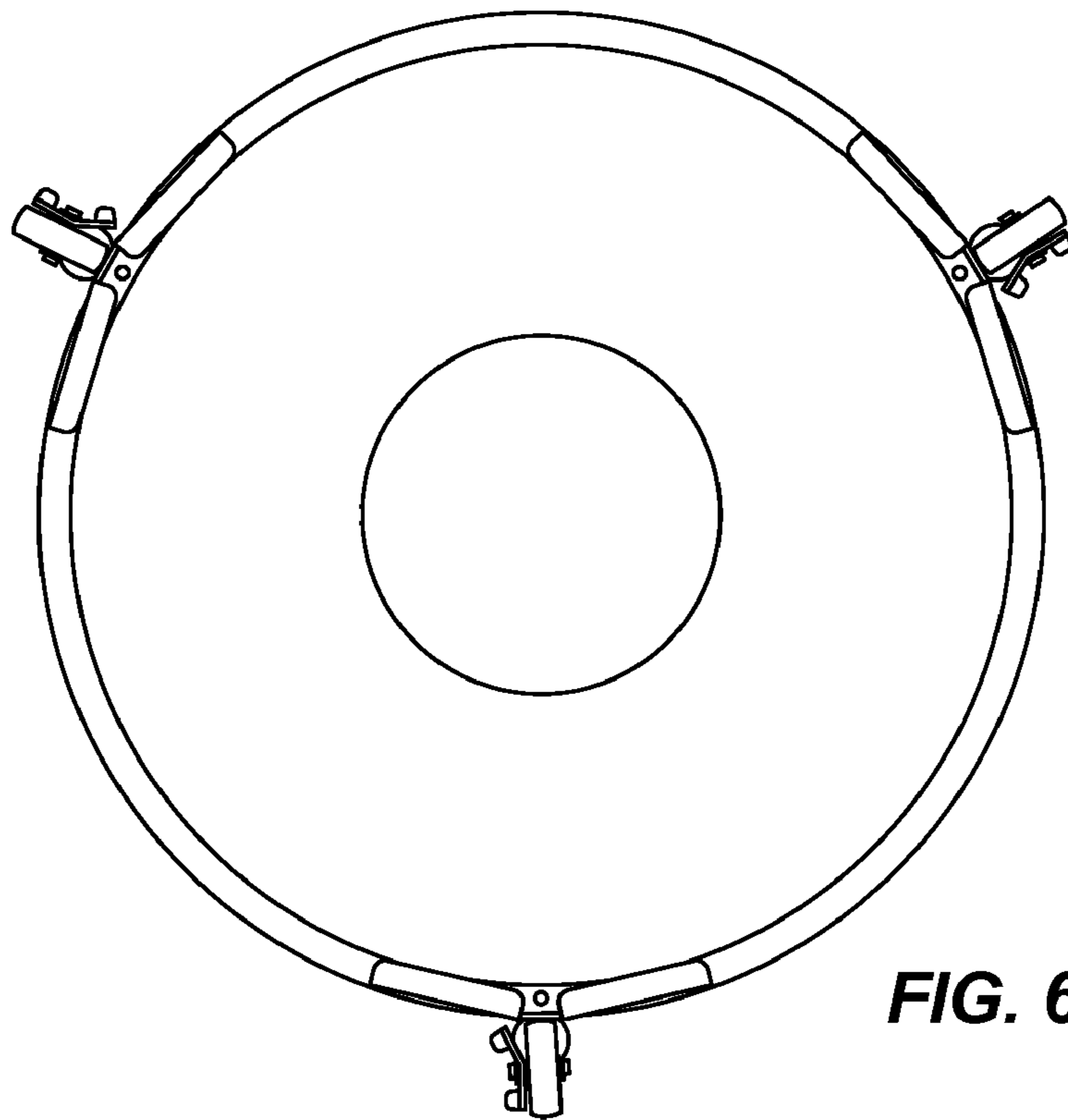


FIG. 6

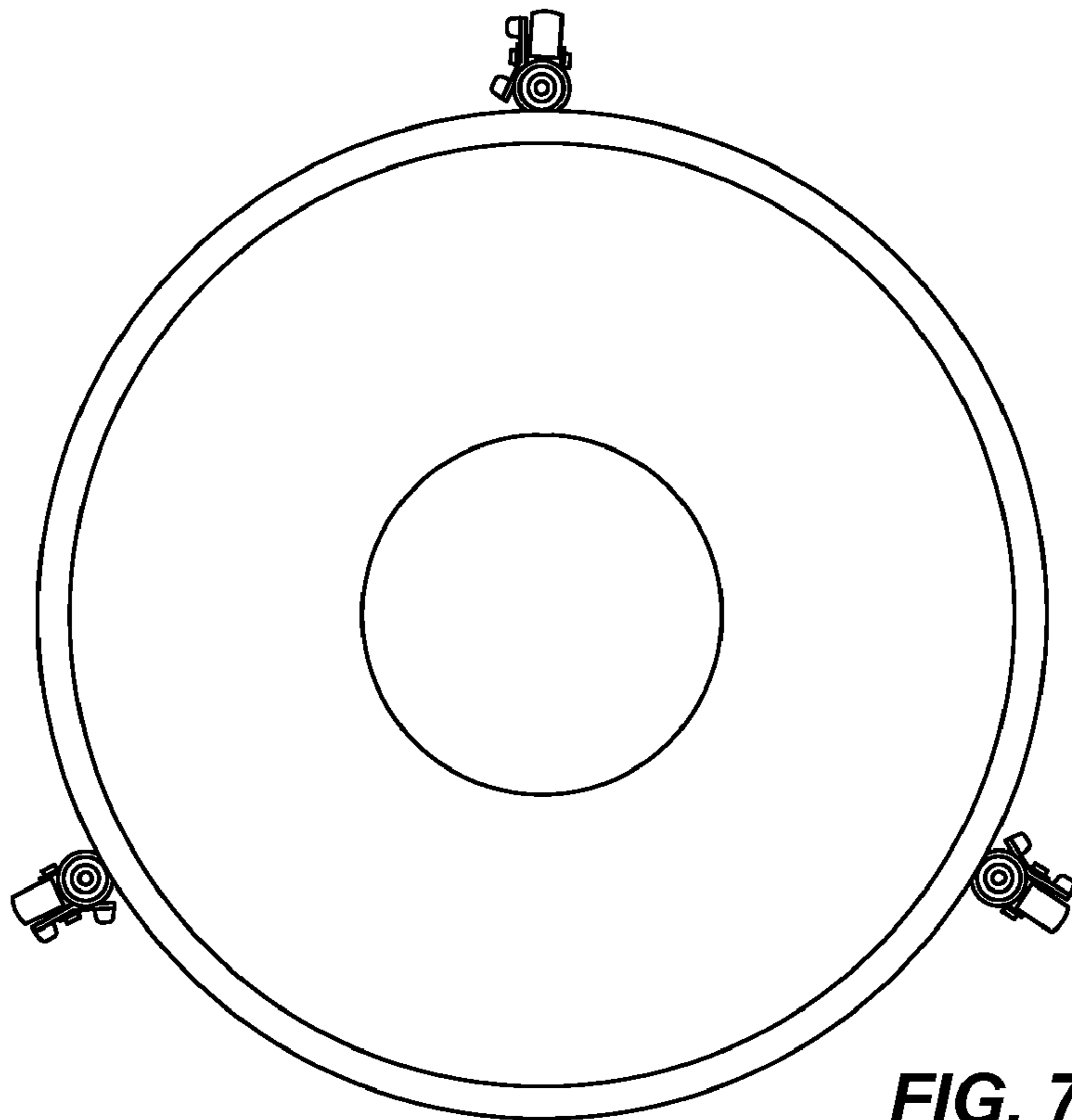


FIG. 7

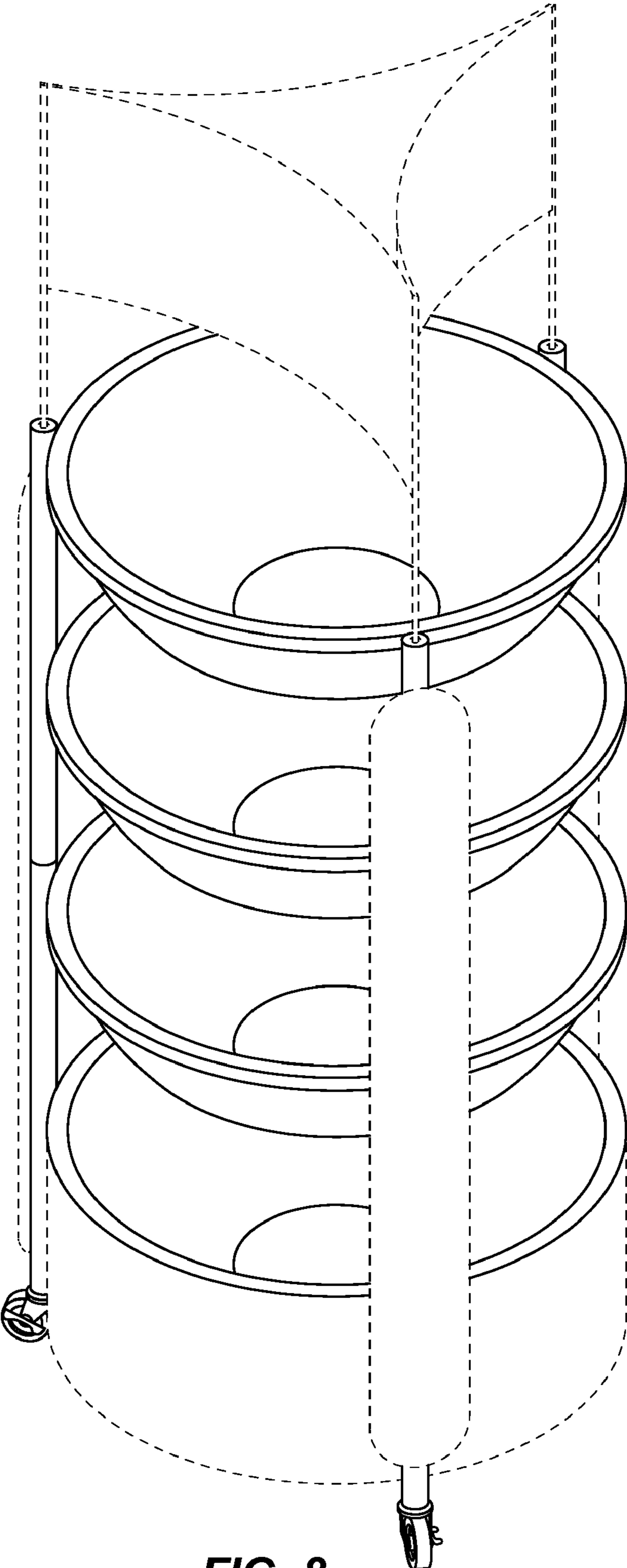


FIG. 8

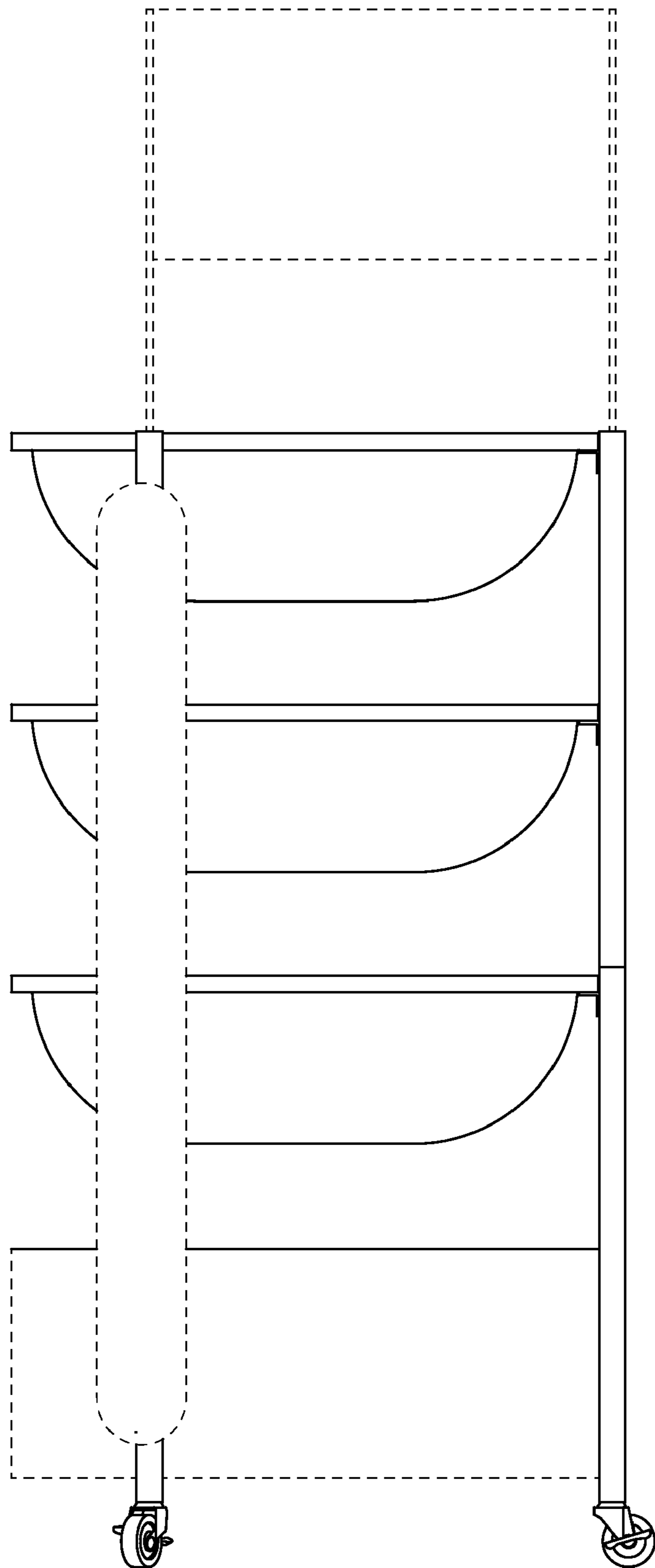


FIG. 9

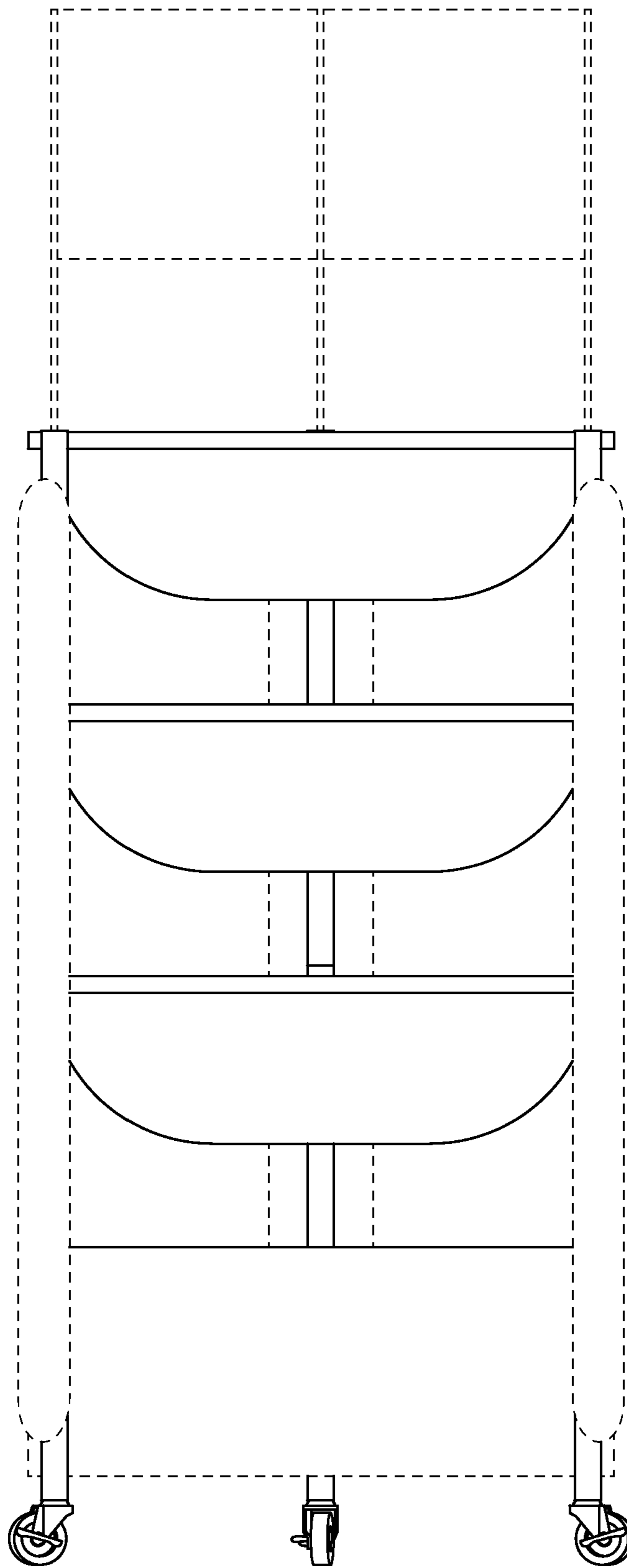


FIG. 10

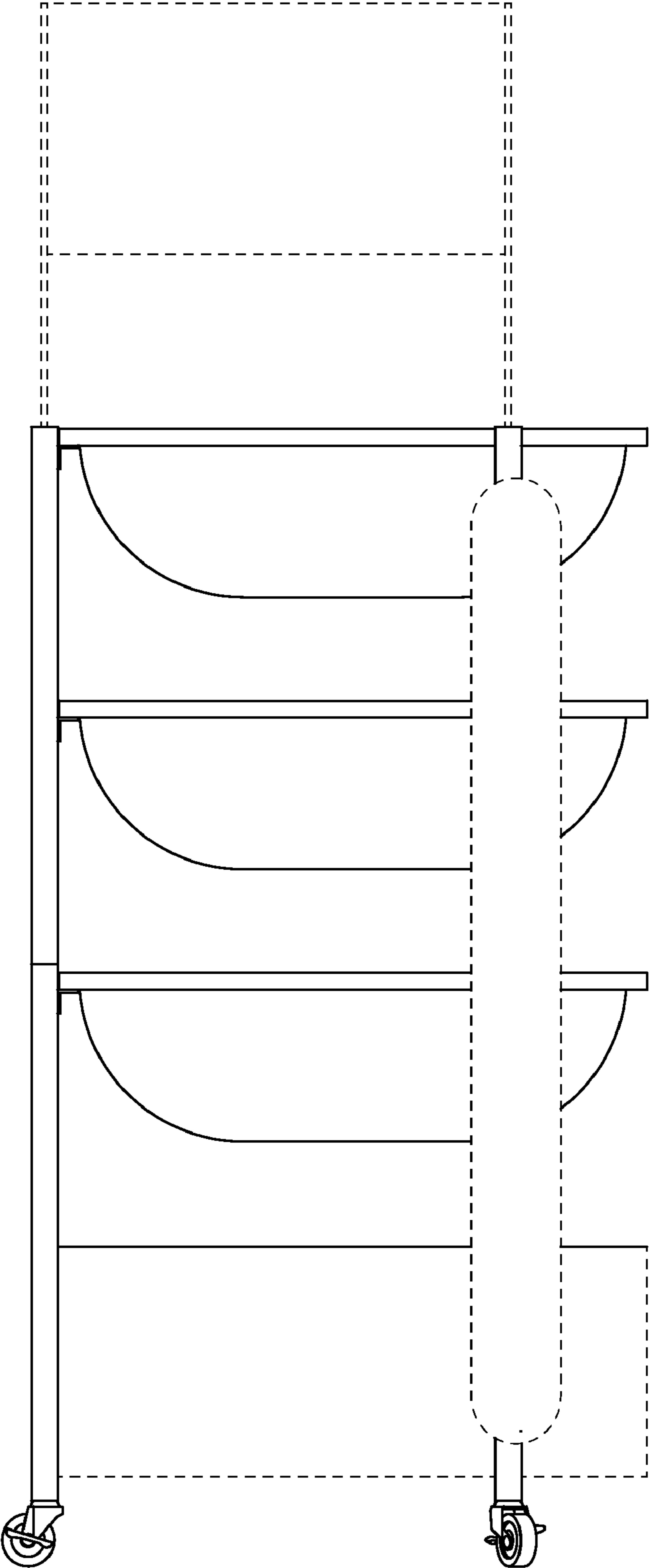


FIG. 11

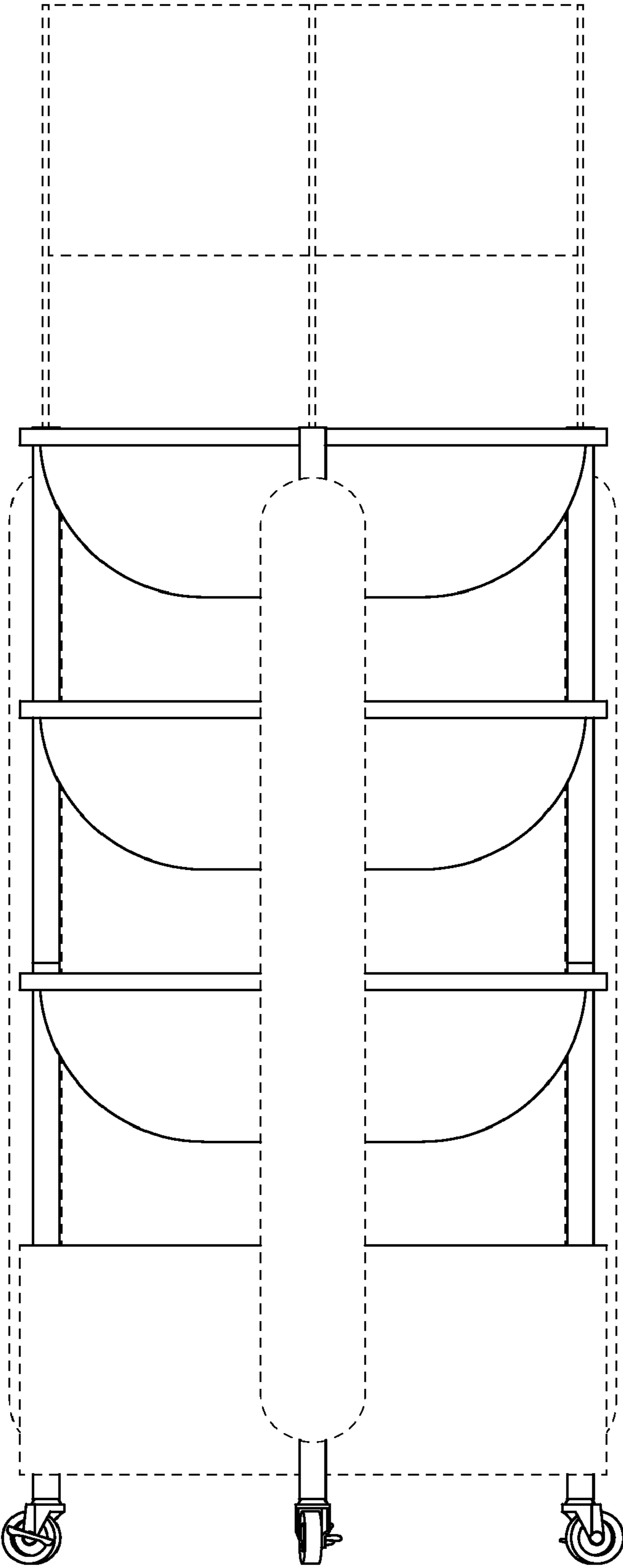


FIG. 12

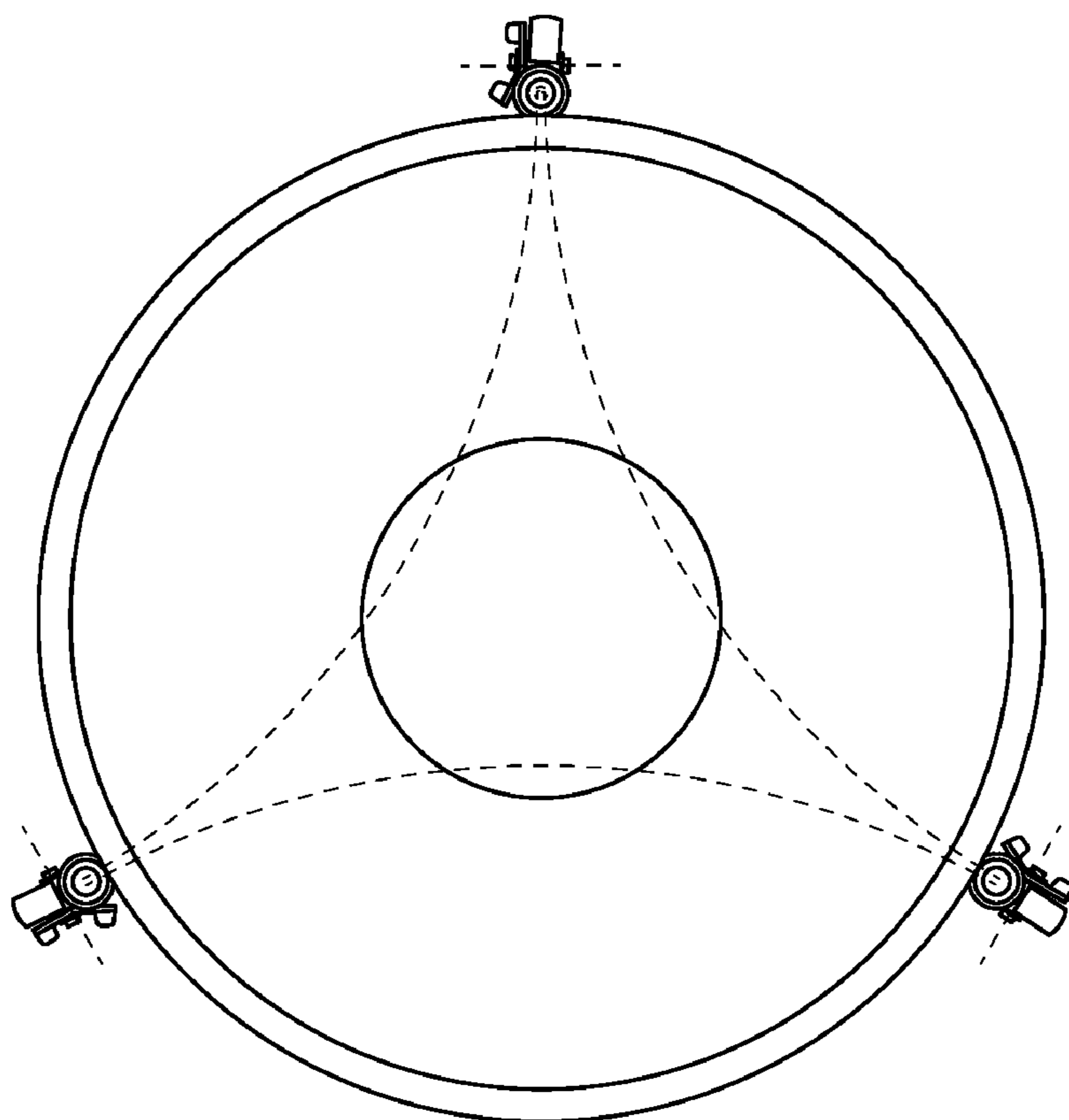


FIG. 13