



US00D651022S

(12) **United States Design Patent**
Koehn

(10) **Patent No.:** **US D651,022 S**

(45) **Date of Patent:** **** Dec. 27, 2011**

(54) **STORAGE CABINET WITH A DOOR**

(75) Inventor: **Vincent Koehn**, Montezuma, KS (US)

(73) Assignee: **Quality Craft Industries Inc.**, Surrey,
British Columbia (CA)

(**) Term: **14 Years**

(21) Appl. No.: **29/362,722**

(22) Filed: **May 28, 2010**

(51) **LOC (9) Cl.** **06-04**

(52) **U.S. Cl.** **D6/445**

(58) **Field of Classification Search** D6/400,
D6/420-436, 440-448, 460-468, 474-479,
D6/495, 510; D14/125, 349; D34/19-20;
220/4.03; 312/194, 198, 204-206, 213, 257.1,
312/282, 332.1; 451/361

See application file for complete search history.

(56) **References Cited**

U.S. PATENT DOCUMENTS

D205,523	S *	8/1966	Doman	D34/19
D365,225	S *	12/1995	Poortvliet et al.	D6/446
D386,156	S *	11/1997	MacMurtrie et al.	D14/349
D423,818	S *	5/2000	Holcomb et al.	D6/445
D435,178	S *	12/2000	Thompson et al.	D6/432
D457,704	S *	5/2002	Fiscus et al.	D34/20
6,513,889	B1 *	2/2003	Park	312/206
6,666,347	B1 *	12/2003	Diamond	220/4.03
D544,453	S *	6/2007	Yamada	D14/125
D559,010	S *	1/2008	Mehmen	D6/446
7,338,354	B2 *	3/2008	Liu	451/361

(Continued)

OTHER PUBLICATIONS

Euro Heavy Duty Pro Series, Tool Chests and Cabinets flyer, created
Jan. 29, 2009, http://www.qci.net/tool_storage.html.

Primary Examiner — Ricky Pham

(74) *Attorney, Agent, or Firm* — Shook, Hardy & Bacon
L.L.P.

(57) **CLAIM**

The ornamental design for a storage cabinet with a door, as
shown and described.

DESCRIPTION

FIG. 1 is a top right perspective view of a first embodiment of
a storage cabinet of the present invention;

FIG. 2 is a top plan view thereof;

FIG. 3 is a front elevation view thereof;

FIG. 4 is a right side elevation view thereof, the left side being
a mirror image thereof;

FIG. 5 is a top right perspective view of a second embodiment
of a storage cabinet of the present invention;

FIG. 6 is a top plan view thereof;

FIG. 7 is a front elevation view thereof;

FIG. 8 is a right side elevation view thereof, the left side being
a mirror image thereof;

FIG. 9 is a top right perspective view of a third embodiment of
a storage cabinet of the present invention;

FIG. 10 is a top plan view thereof;

FIG. 11 is a front elevation view thereof; and,

FIG. 12 is a right side elevation view thereof, the left side
being a mirror image thereof.

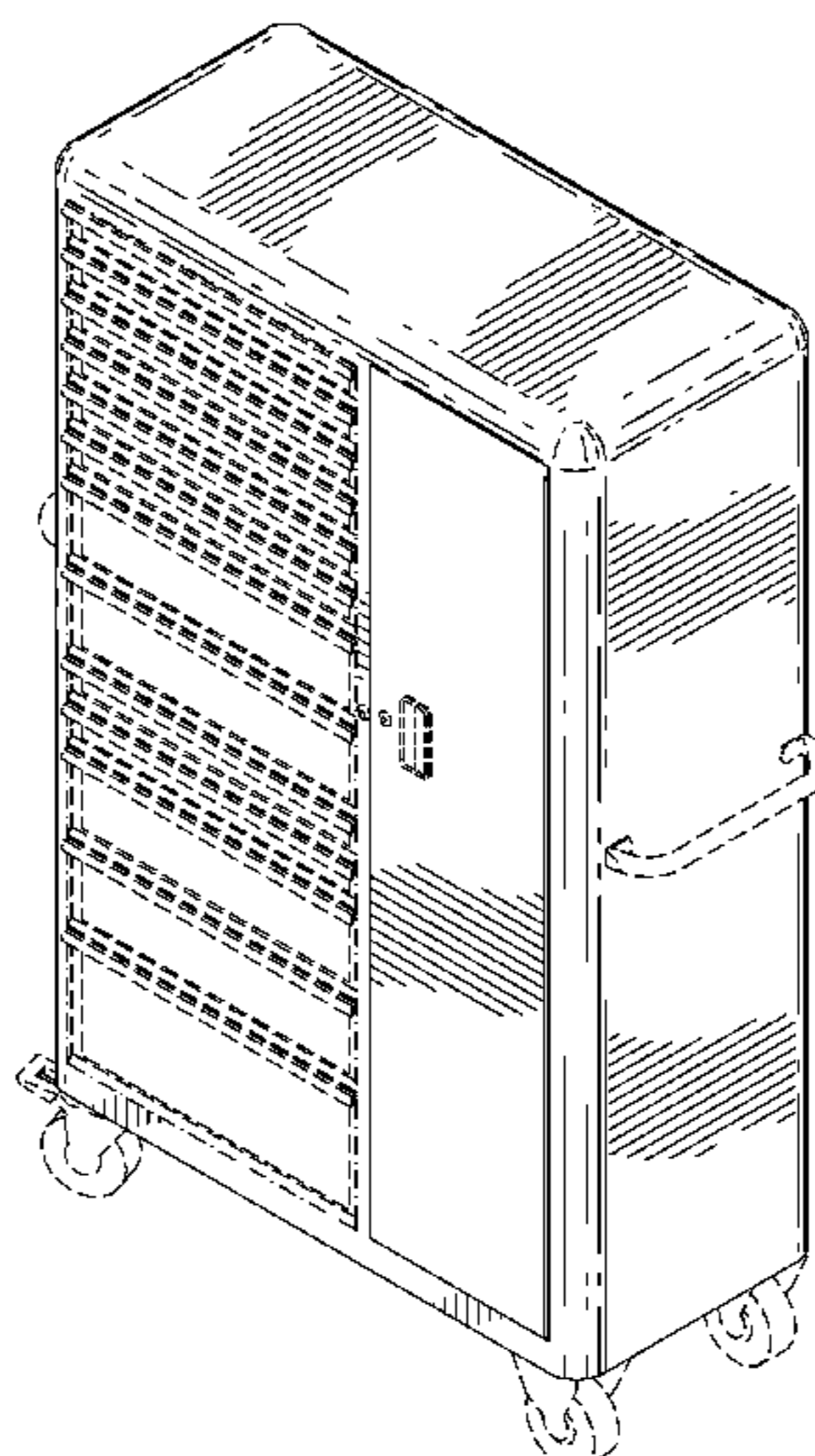
Rear elevation views and bottom plan views, have been omit-
ted as they do not form a portion of the claimed design.

The evenly spaced broken lines shown in the drawings are
directed to environment, are for informational purposes only,
and form no part of the claimed design.

The long and short broken lines are boundary lines which
define the bounds of the claimed design. These boundaries do
not exist in reality in the article embodying the design. It is
understood that the claimed design extends to these bound-
aries but do not include the boundaries.

The surface shading lines on the claimed portion are provided
only to indicate the character and/or any contour or curvature
of the surfaces. They do not indicate color, texture, markings
that actually exist thereon, indicia, graphic representations,
surface treatment, or any other ornamentation applied to the
article.

1 Claim, 6 Drawing Sheets



US D651,022 S

Page 2

U.S. PATENT DOCUMENTS

D579,697 S *	11/2008	Schmidt et al.	D6/510	D642,400 S *	8/2011	Koehn	D6/400
D587,047 S *	2/2009	Kalkwarf	D6/510	D644,037 S *	8/2011	Koehn	D6/400
D588,849 S *	3/2009	Kalkwarf	D6/510	2003/0127956 A1 *	7/2003	Stoever	312/257.1
D591,076 S *	4/2009	Guizzardi	D6/432	2006/0103278 A1 *	5/2006	Bousquet	312/332.1
D609,936 S *	2/2010	Haimoff	D6/432	2007/0063624 A1 *	3/2007	Liao	312/282

* cited by examiner

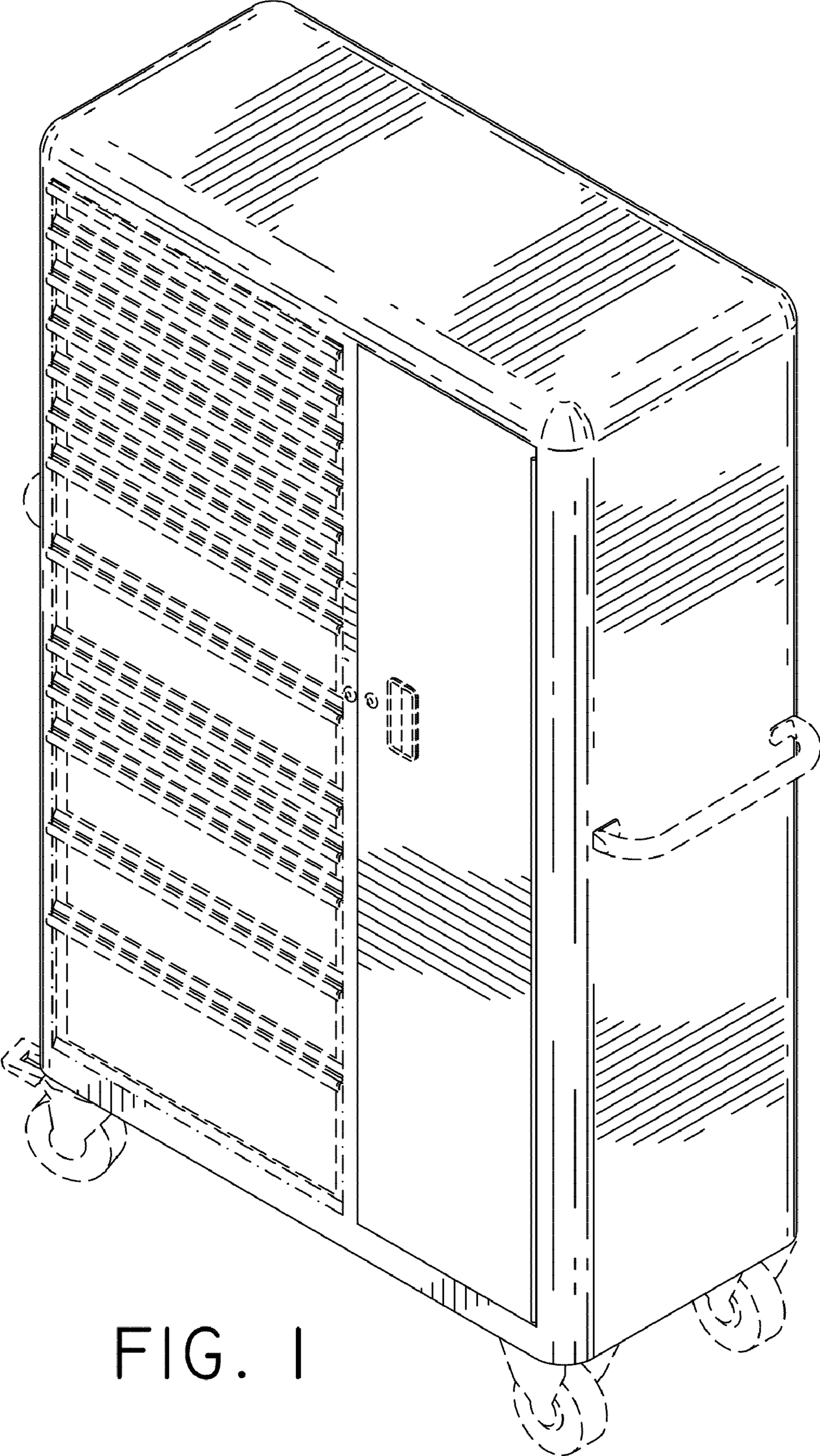


FIG. 1

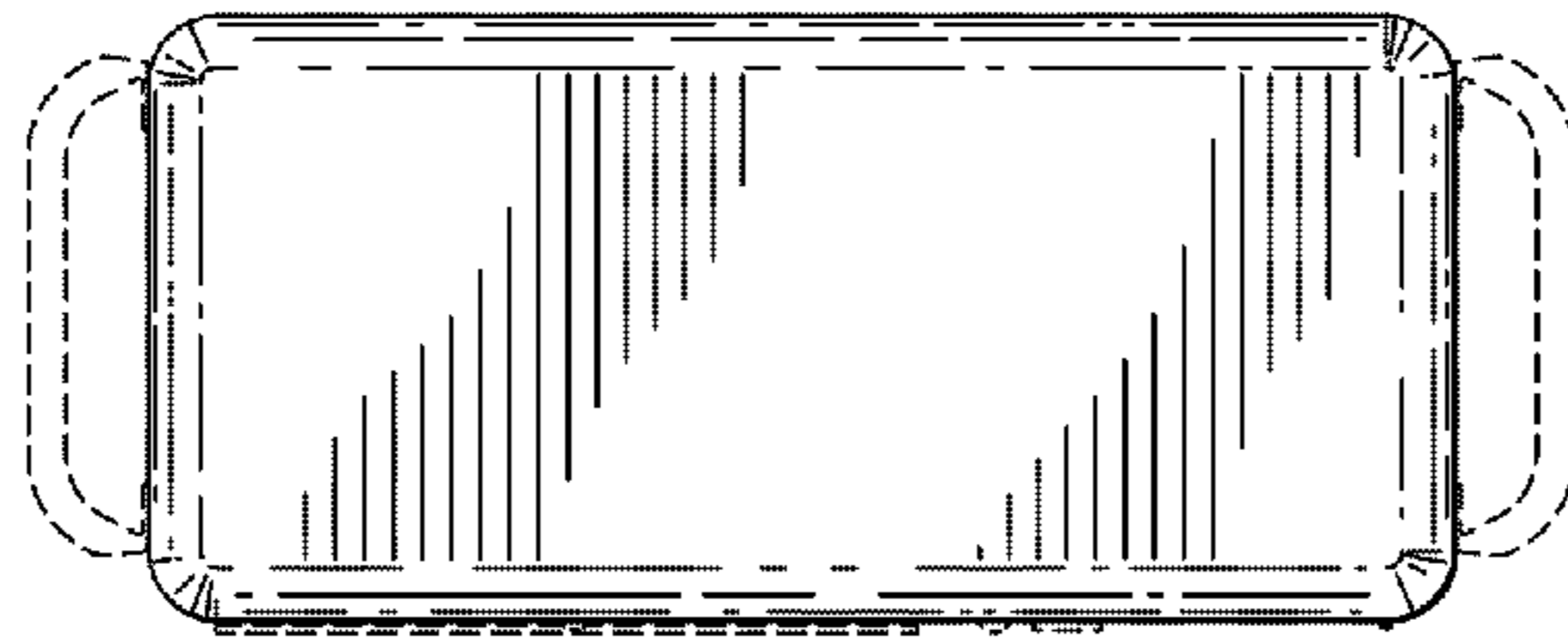


FIG. 2

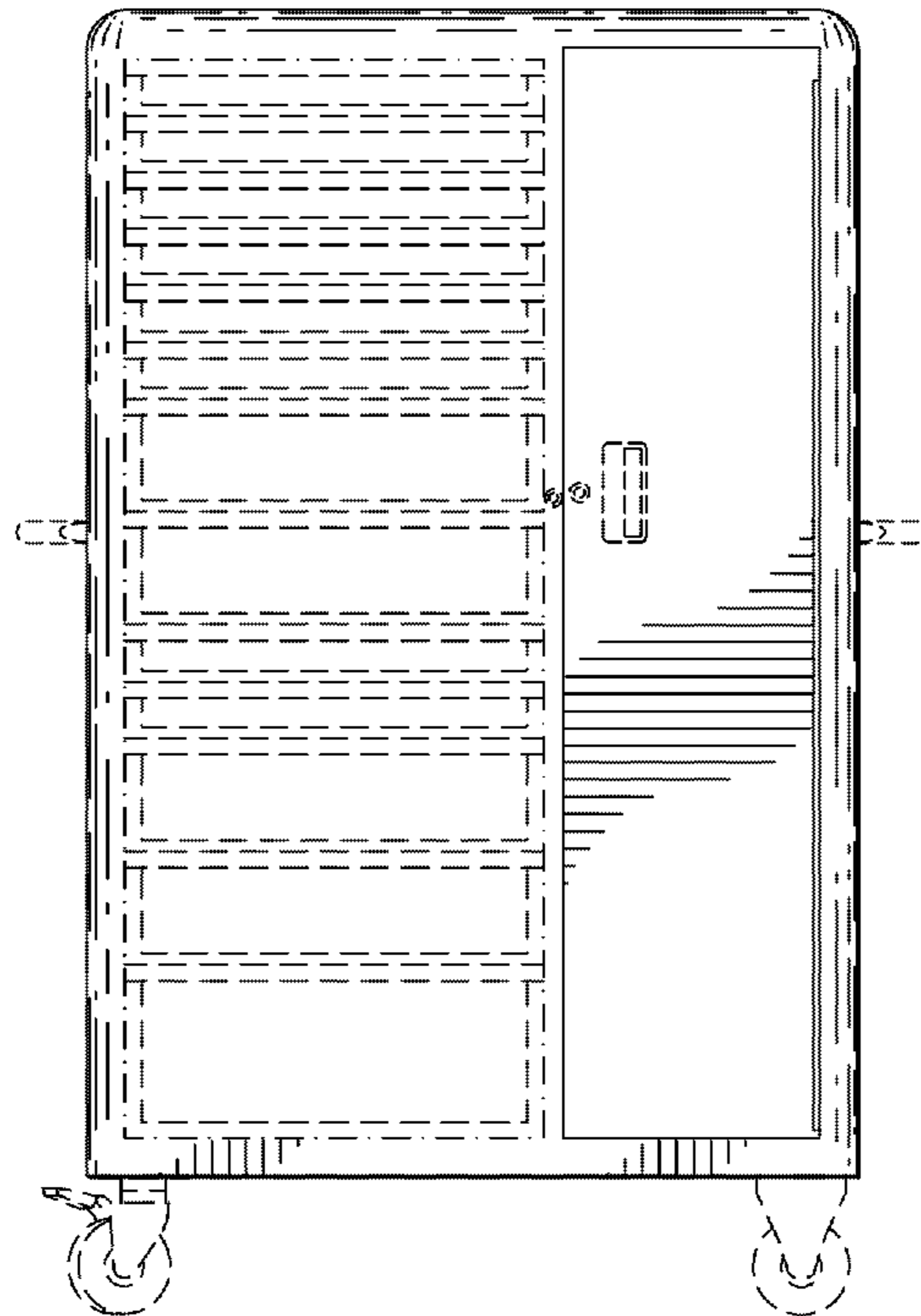


FIG. 3

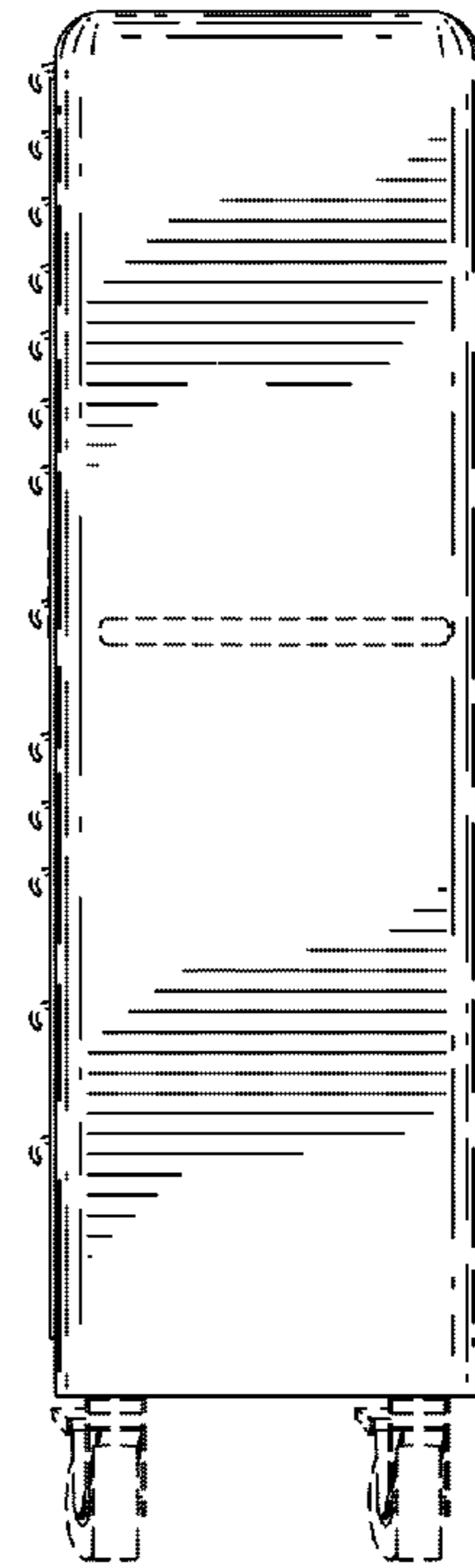


FIG. 4

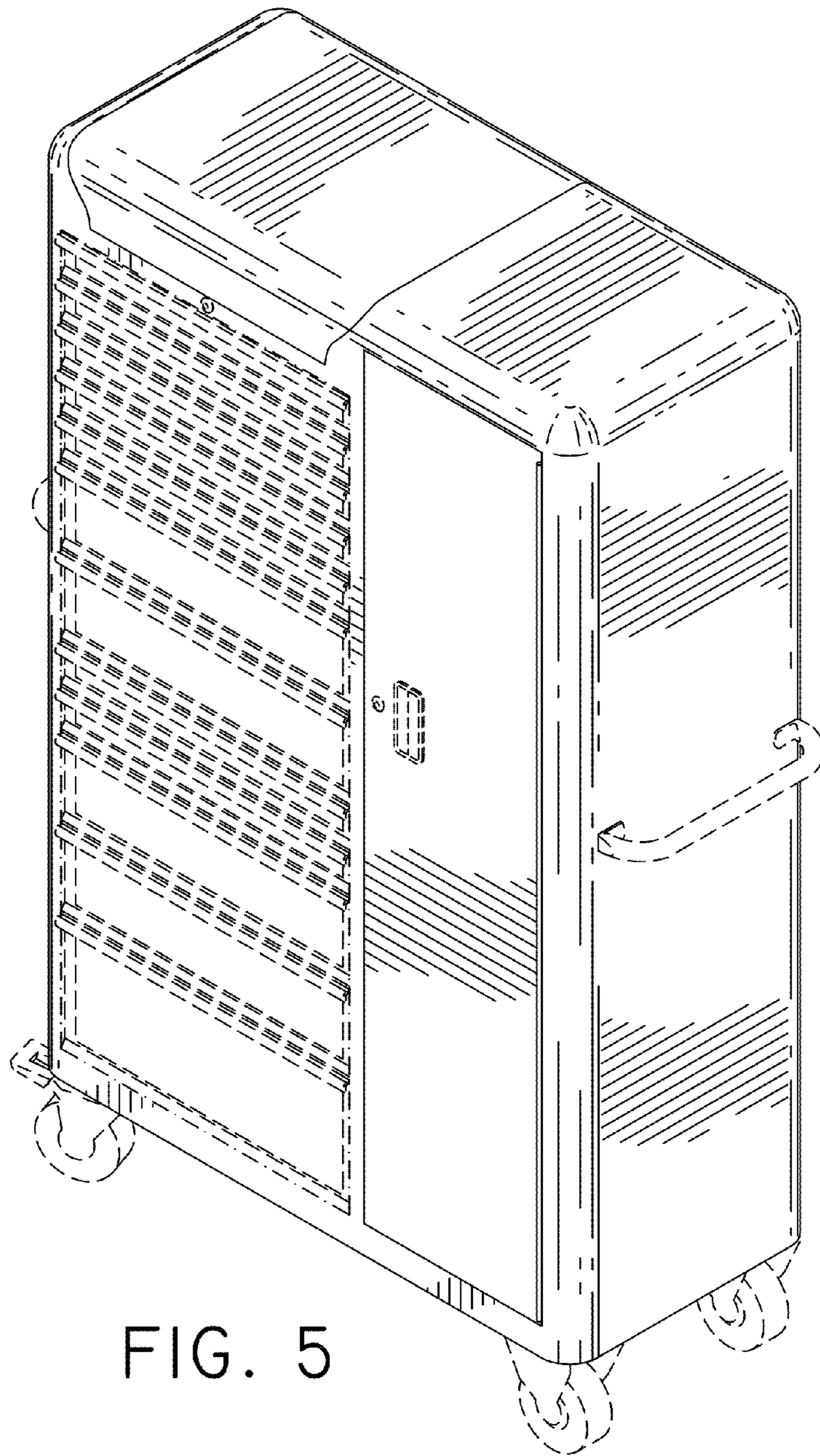


FIG. 5

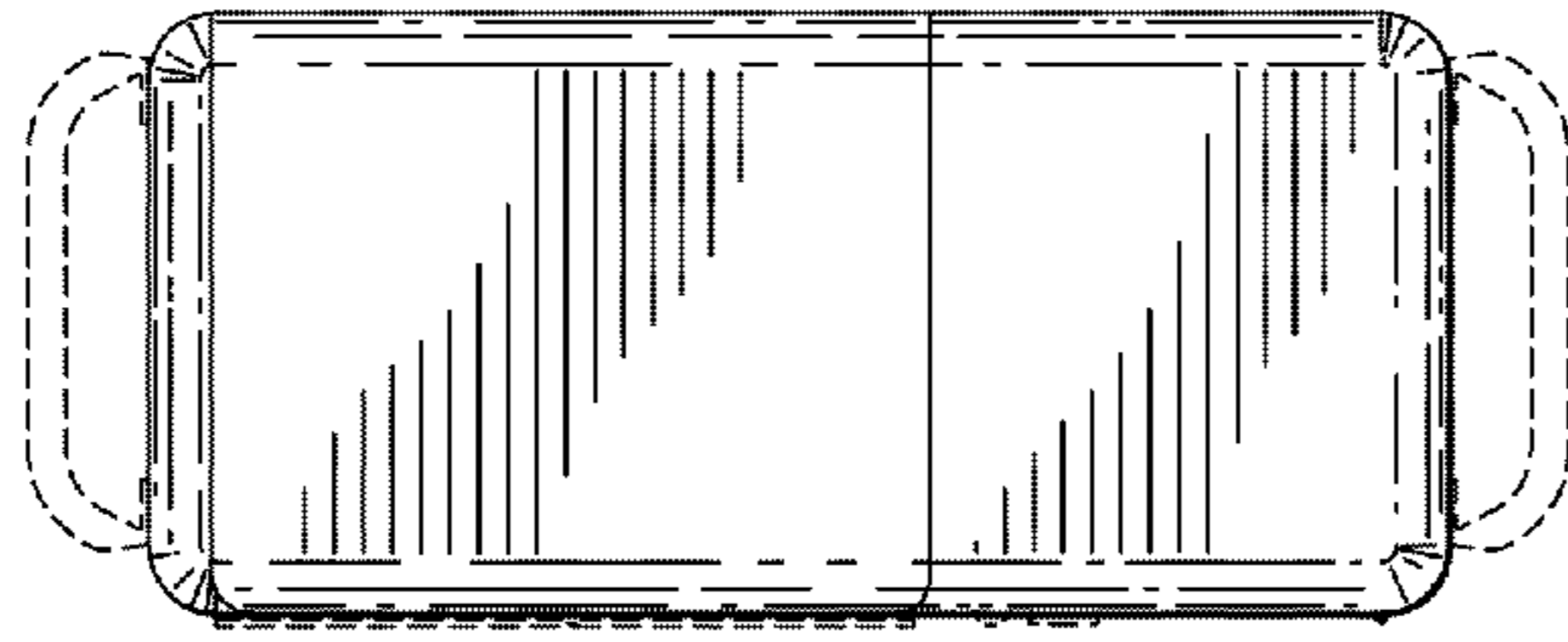


FIG. 6

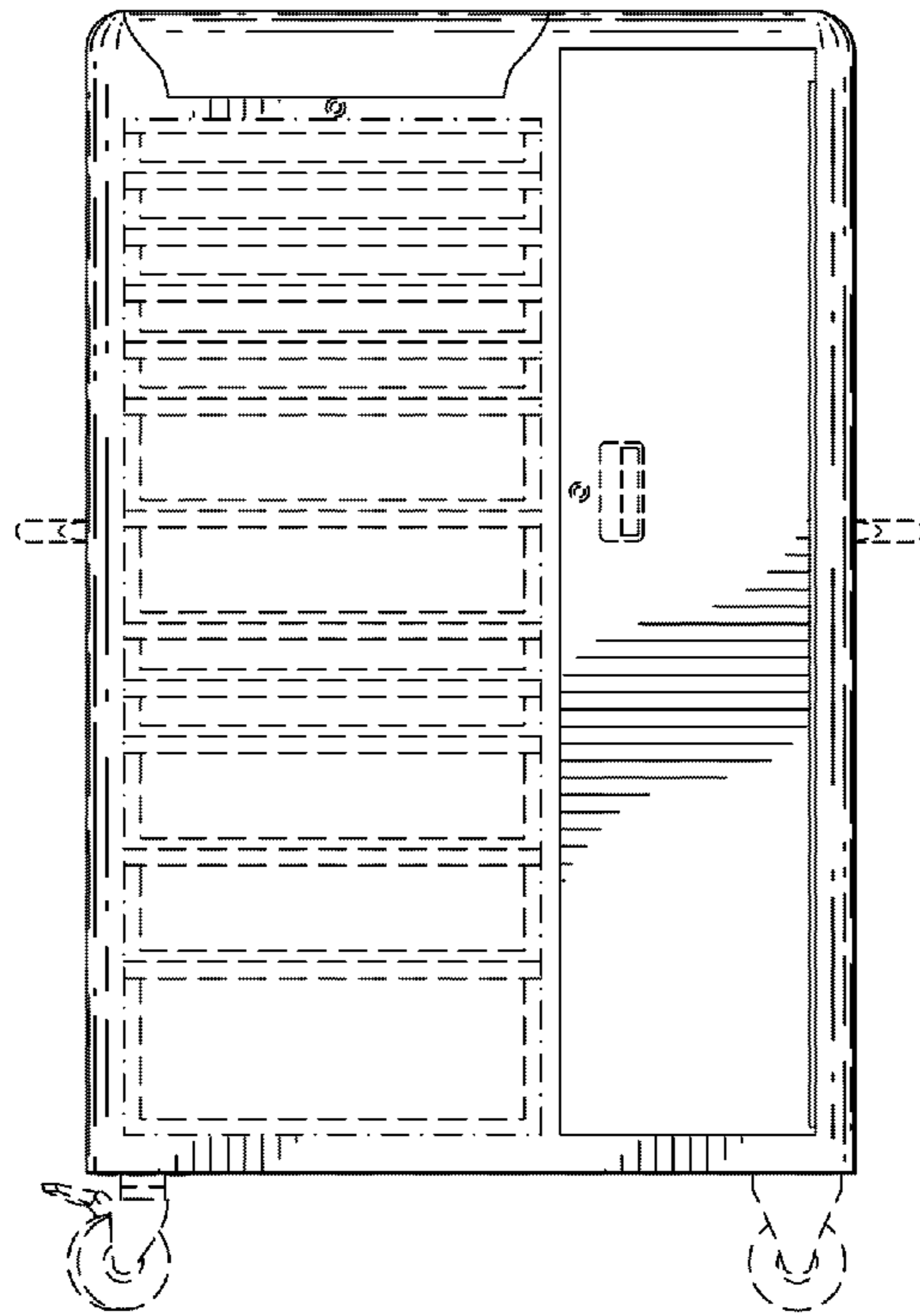


FIG. 7

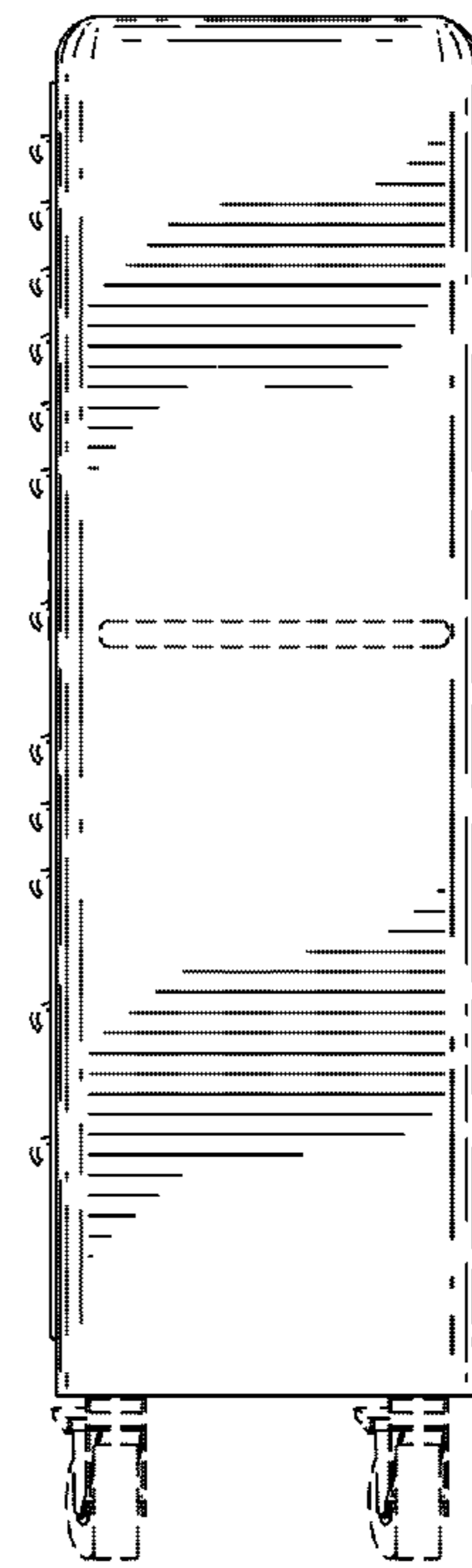


FIG. 8

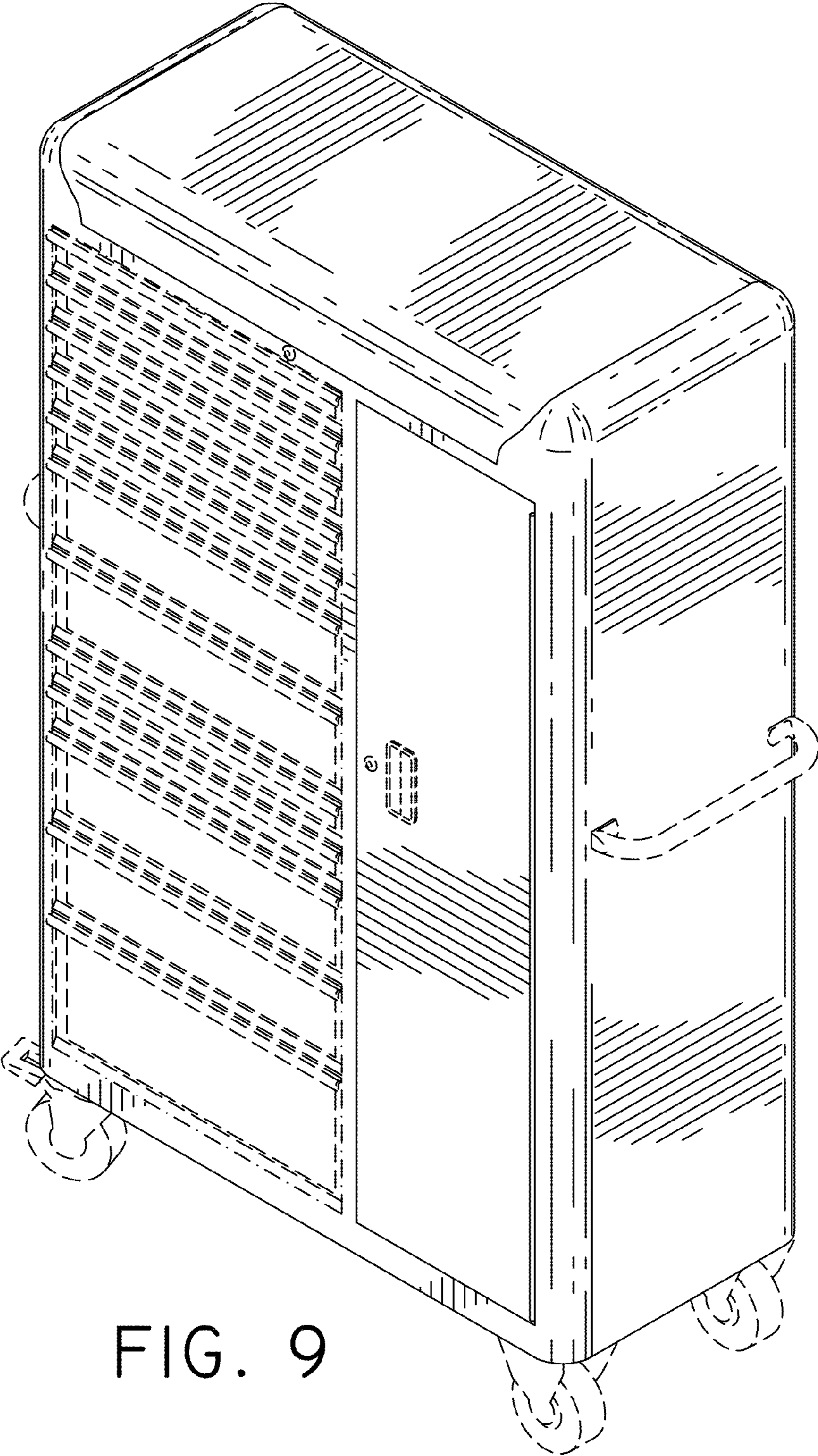


FIG. 9

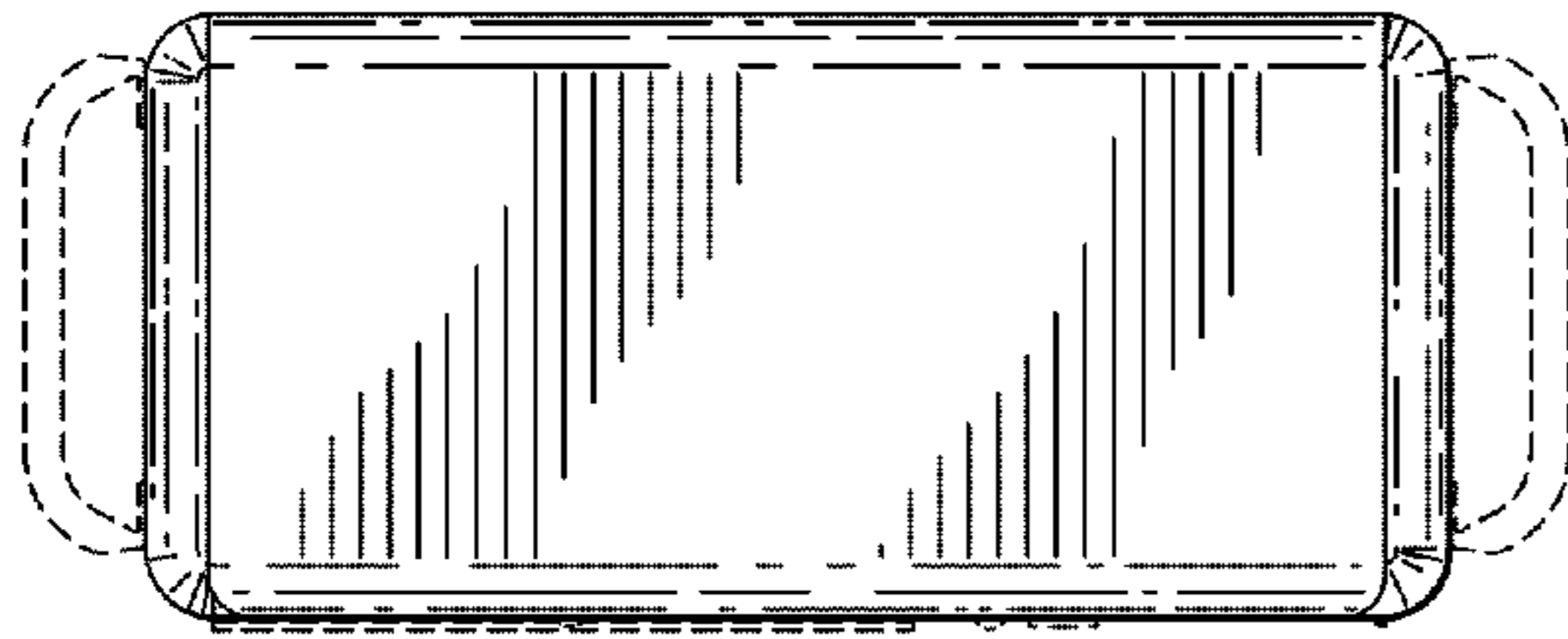


FIG. 10

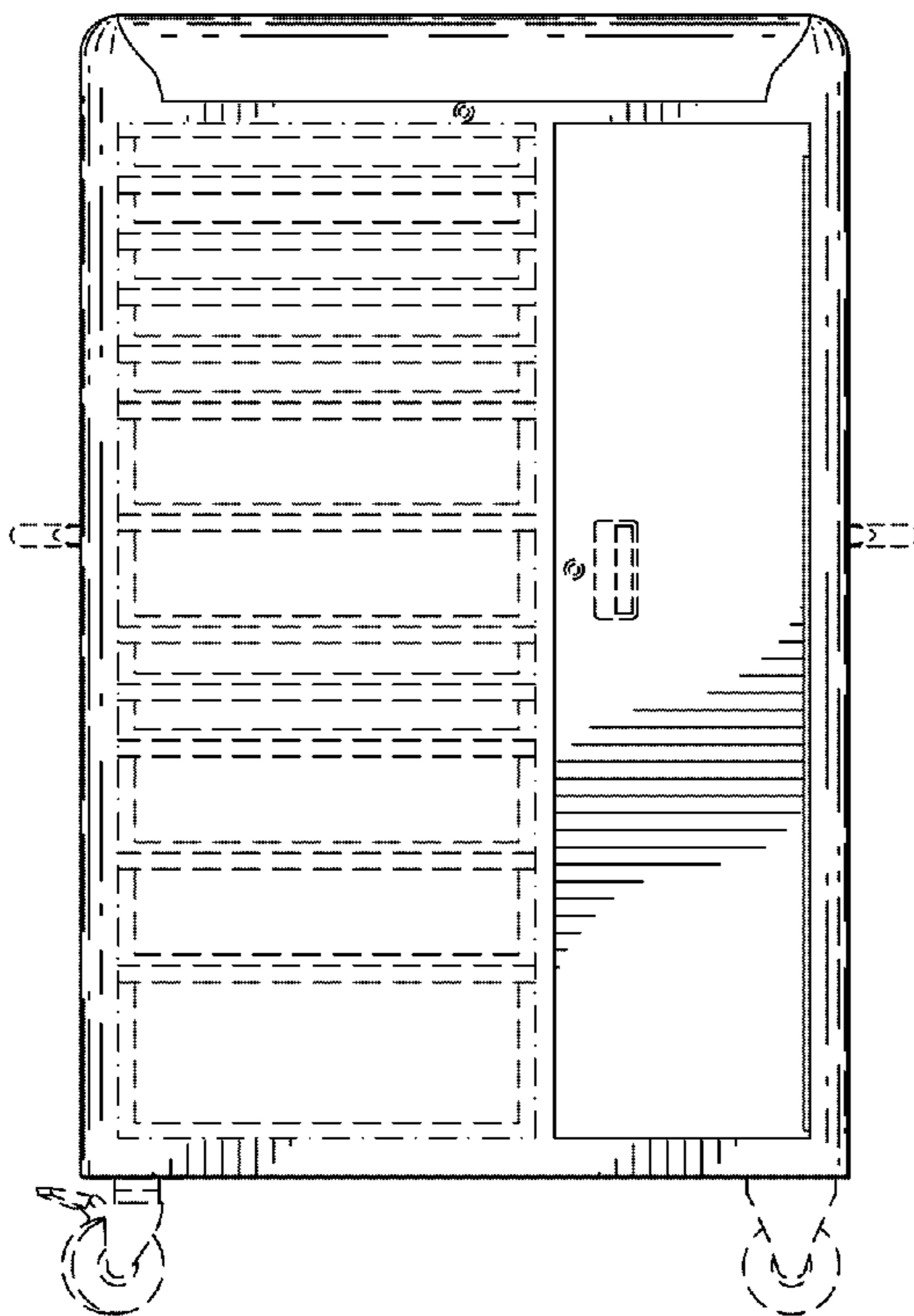


FIG. 11

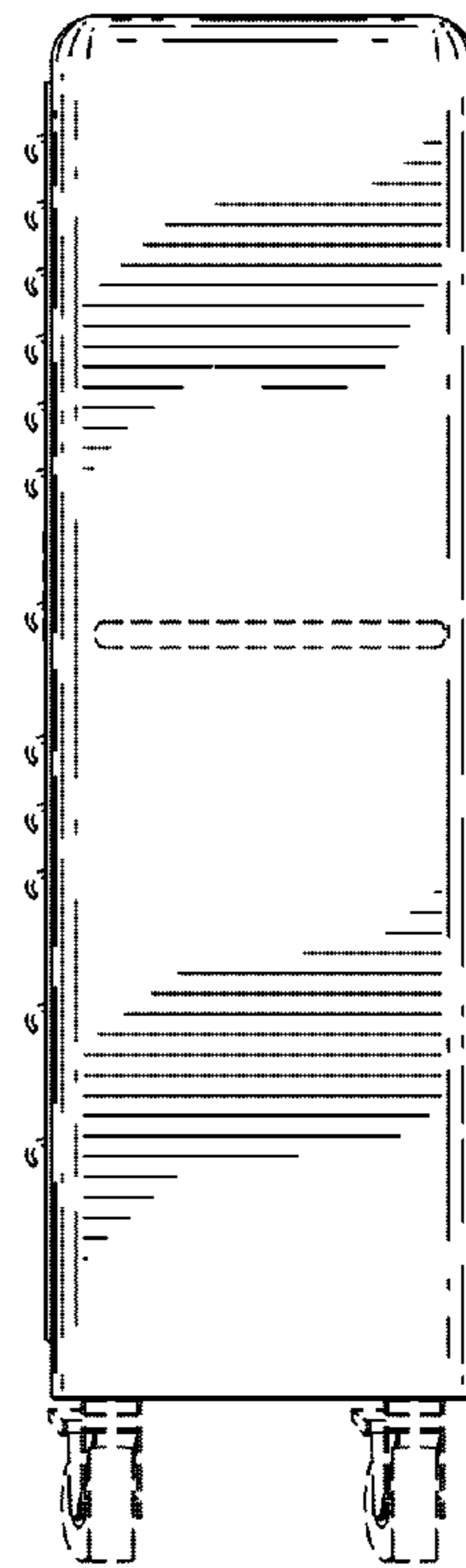


FIG. 12