



US00D651012S

(12) **United States Design Patent**  
**Lenney**

(10) **Patent No.:** **US D651,012 S**

(45) **Date of Patent:** **\*\* Dec. 27, 2011**

(54) **CHAISE**

(75) Inventor: **Joseph P. Lenney**, San Francisco, CA  
(US)

(73) Assignee: **Restoration Hardware, Inc.**, Corte  
Madera, CA (US)

(\*\*) Term: **14 Years**

(21) Appl. No.: **29/386,268**

(22) Filed: **Feb. 25, 2011**

(51) **LOC (9) Cl.** ..... **06-01**

(52) **U.S. Cl.** ..... **D6/369**

(58) **Field of Classification Search** ..... D6/310,  
D6/334-336, 348, 358-381, 500-502, 611;  
297/31, 239, 271.6, 11.2, 411.27, 411.28,  
297/440.13, 440.15, 445.1, 446.1, 452.13  
See application file for complete search history.

(56) **References Cited**

U.S. PATENT DOCUMENTS

D225,704 S *	1/1973	Geddings	.....	D6/361
D242,191 S *	11/1976	Halsted	.....	D6/361
D335,035 S *	4/1993	Floyd	.....	D6/361
D406,473 S *	3/1999	Lin et al.	.....	D6/361
D473,388 S *	4/2003	Hutton	.....	D6/361
D533,727 S *	12/2006	Frinier	.....	D6/361
D562,022 S *	2/2008	Hackethal et al.	.....	D6/381

D562,578 S *	2/2008	Weiss	.....	D6/361
D572,920 S *	7/2008	van Ierssel et al.	.....	D6/361
D572,921 S *	7/2008	van Ierssel et al.	.....	D6/361

\* cited by examiner

*Primary Examiner* — Ricky Pham

(74) *Attorney, Agent, or Firm* — Duane Morris, LLP; Guy  
W. Chambers

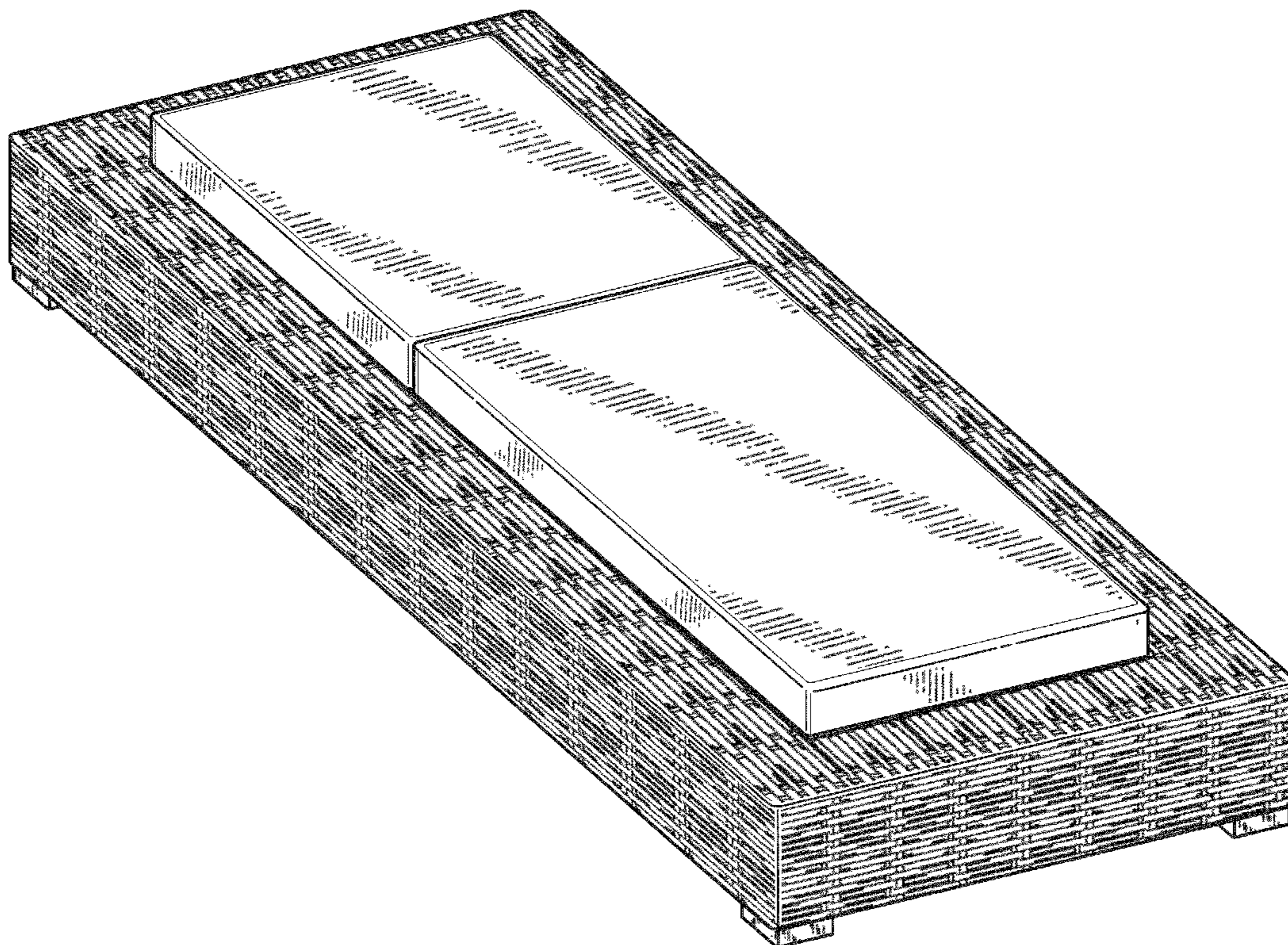
(57) **CLAIM**

The ornamental design for a chaise, as shown and described.

**DESCRIPTION**

FIG. 1 is a perspective view of a chaise showing my new design;  
 FIG. 2 is a left side elevational view thereof;  
 FIG. 3 is a right side elevational view thereof;  
 FIG. 4 is a top plan view thereof;  
 FIG. 5 is a front elevational view thereof;  
 FIG. 6 is a rear elevational view thereof.  
 FIG. 7 is a perspective view of the chaise of FIG. 1 showing  
 an alternate position wherein the back portion is in an up  
 position;  
 FIG. 8 is a left side elevational view thereof;  
 FIG. 9 is a right side elevational view thereof;  
 FIG. 10 is a top plan view thereof;  
 FIG. 11 is a front elevational view thereof; and,  
 FIG. 12 is a rear elevational view thereof.

**1 Claim, 9 Drawing Sheets**





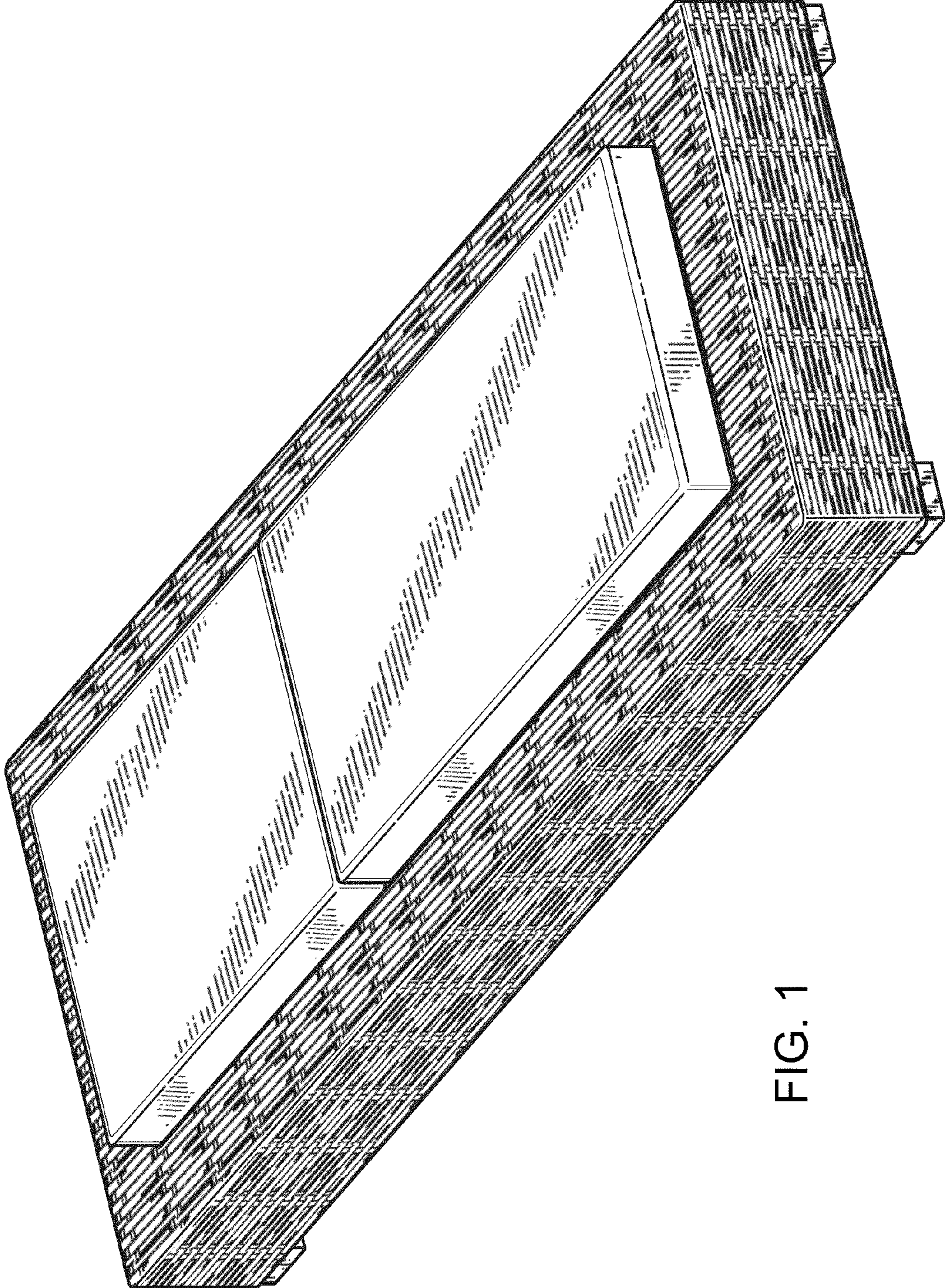


FIG. 1



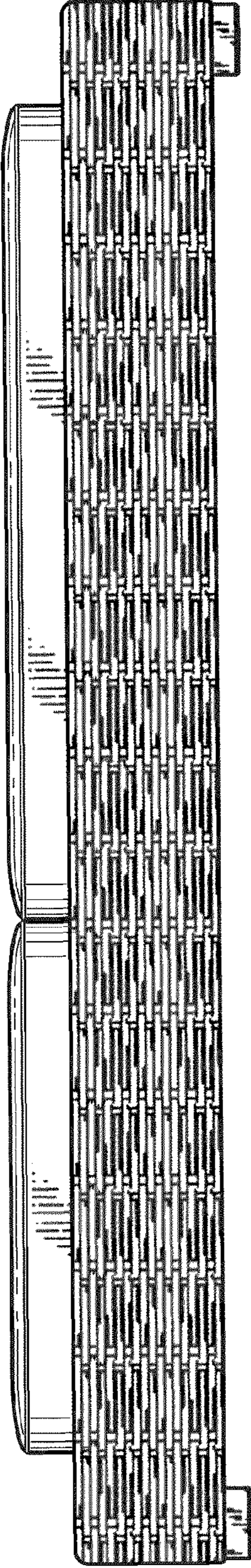


FIG. 2

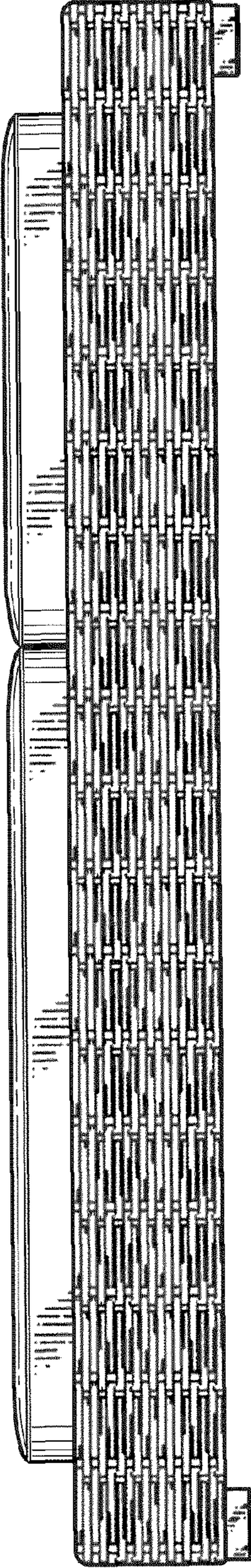


FIG. 3



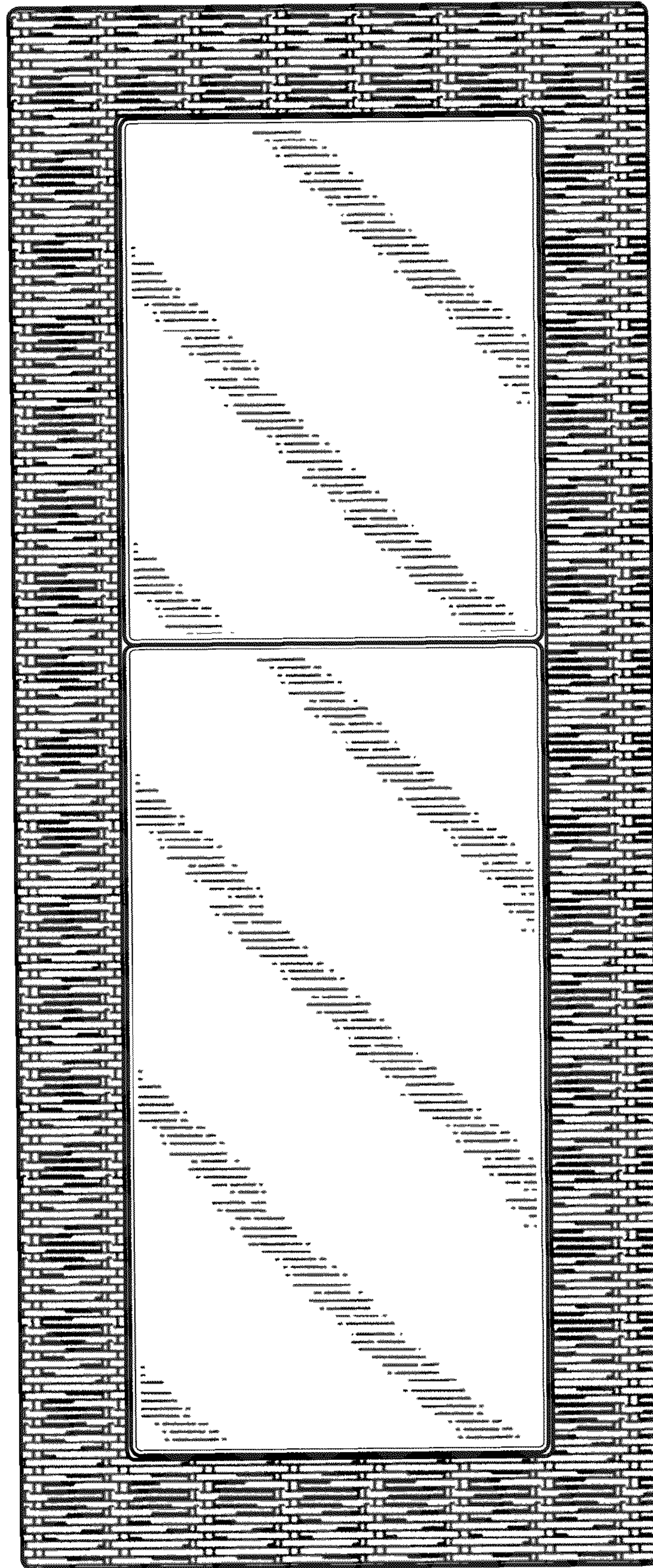


FIG. 4



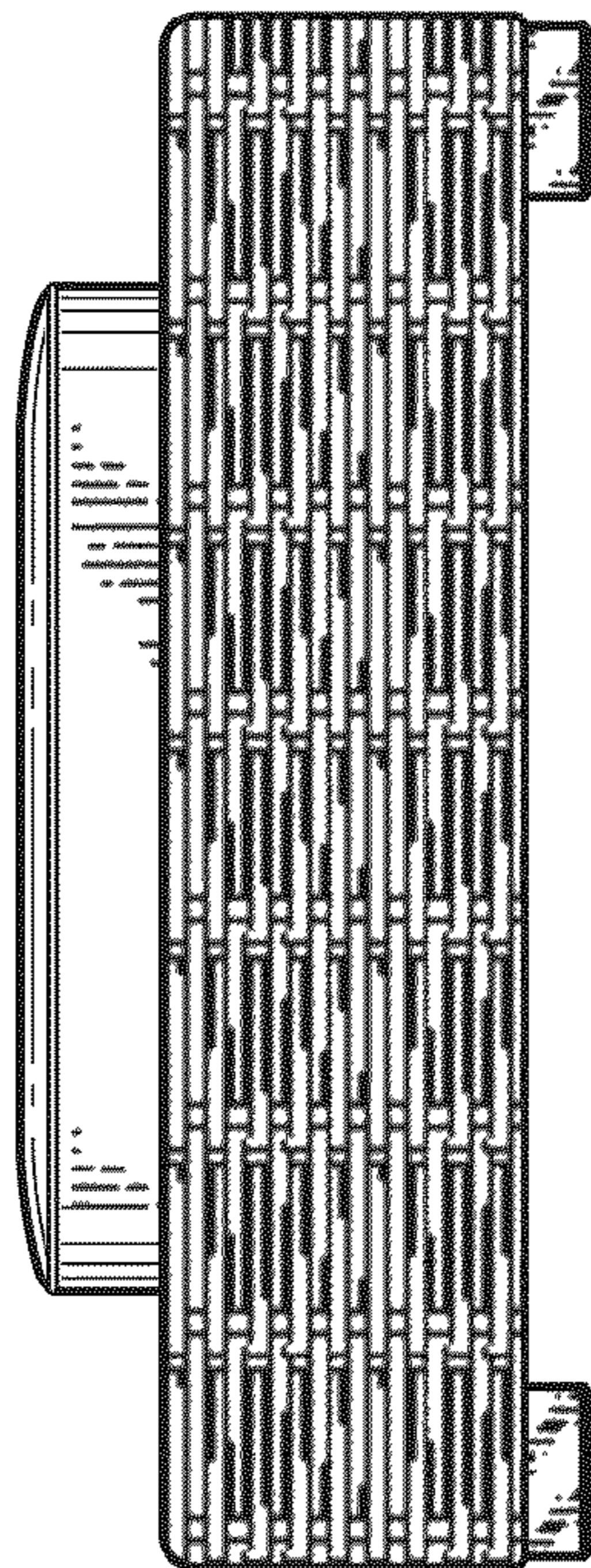


FIG. 6

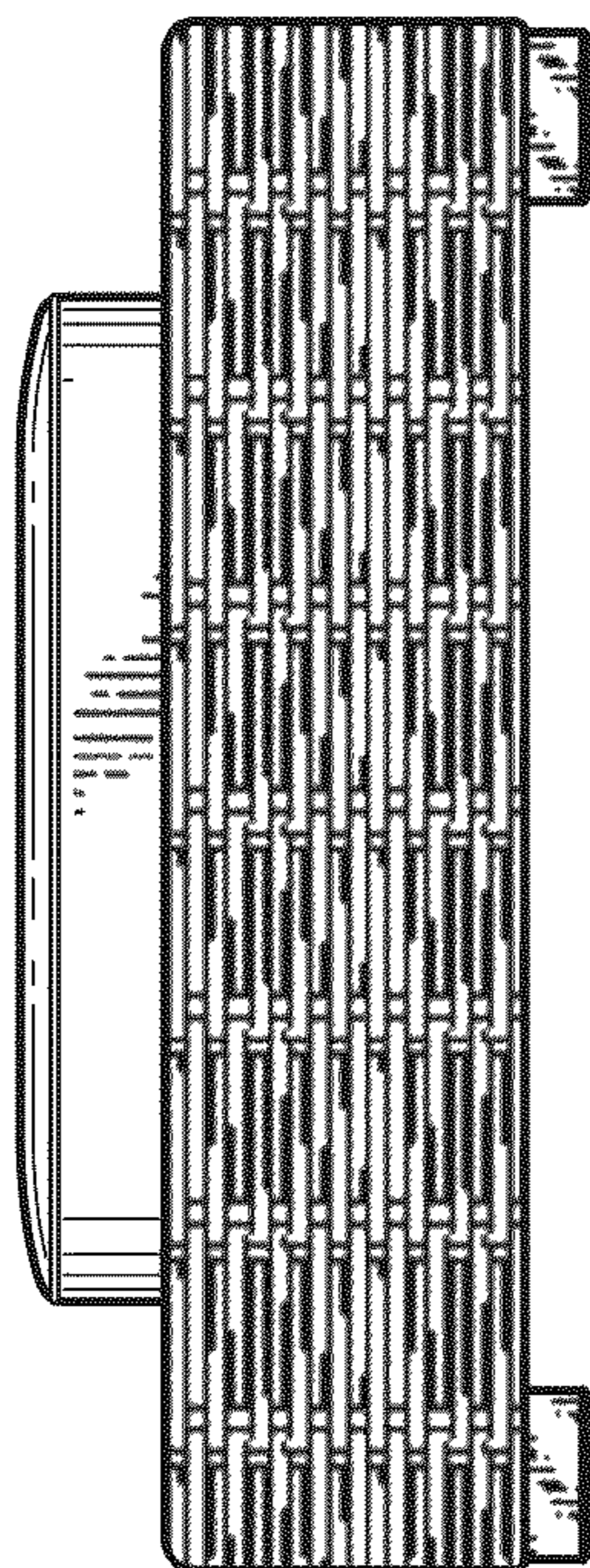


FIG. 5



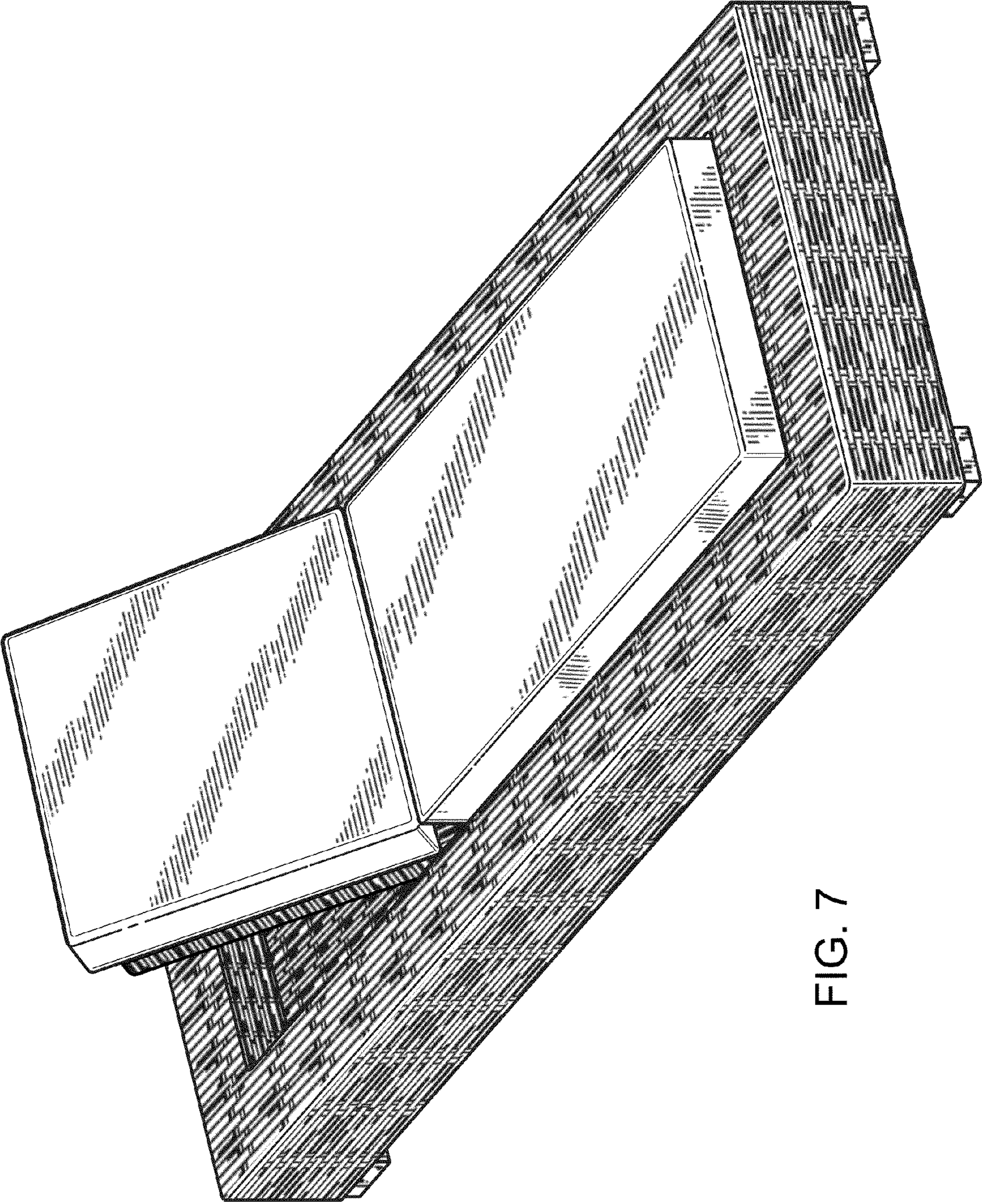


FIG. 7



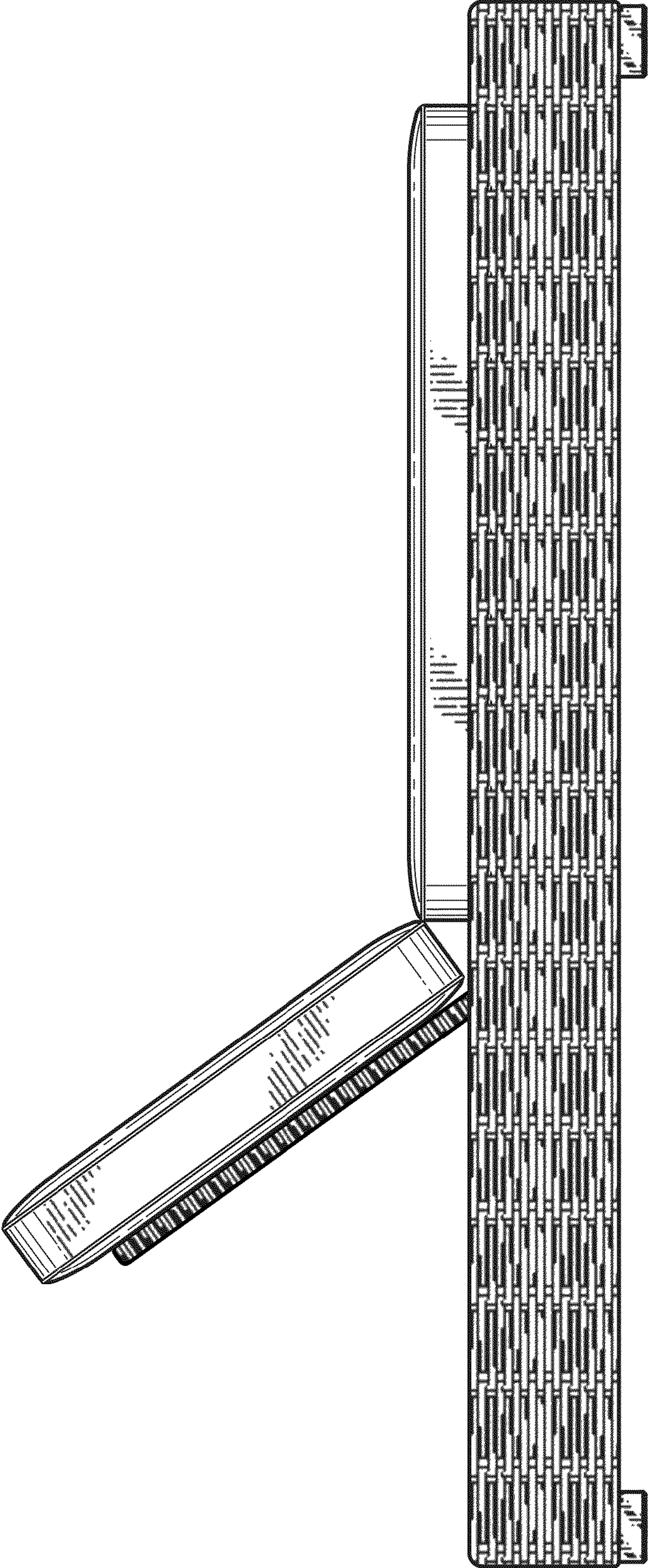


FIG. 8



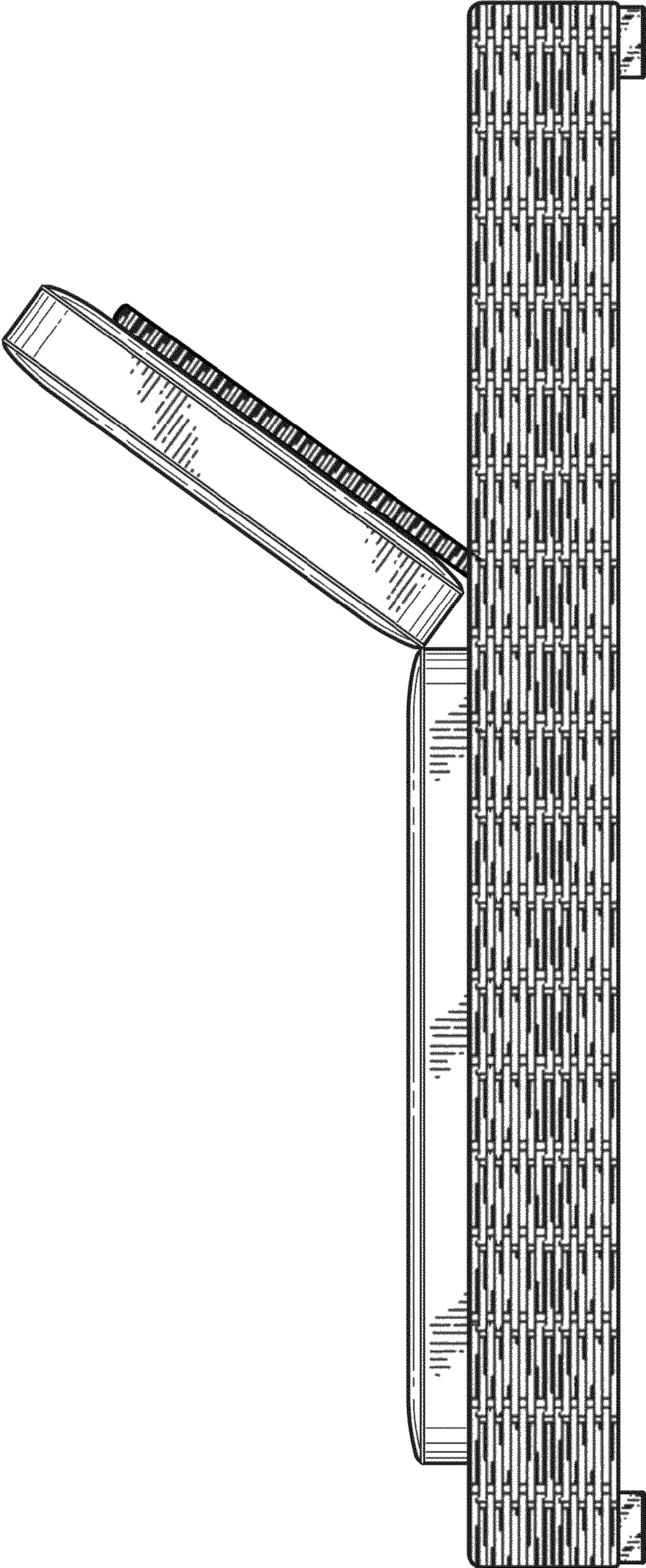


FIG. 9



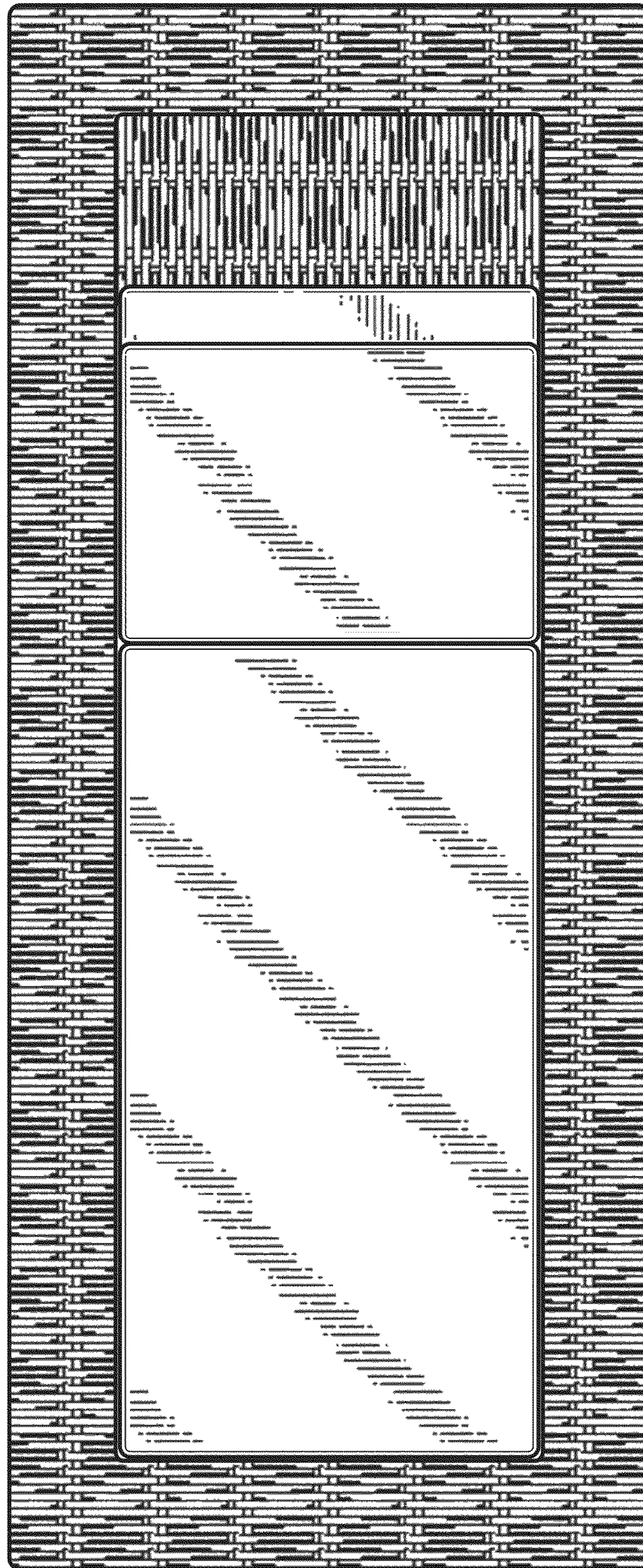


FIG. 10



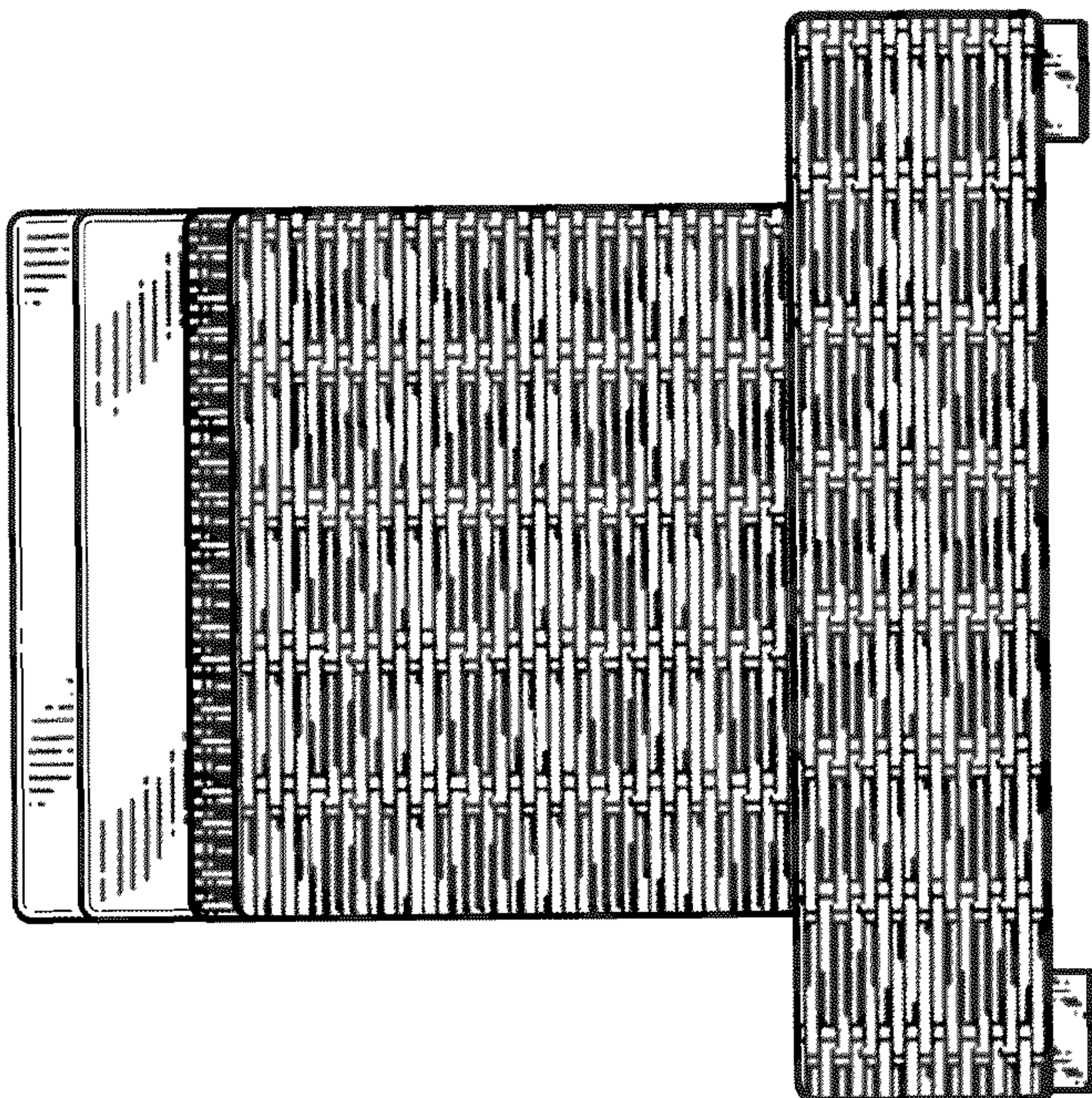


FIG. 12

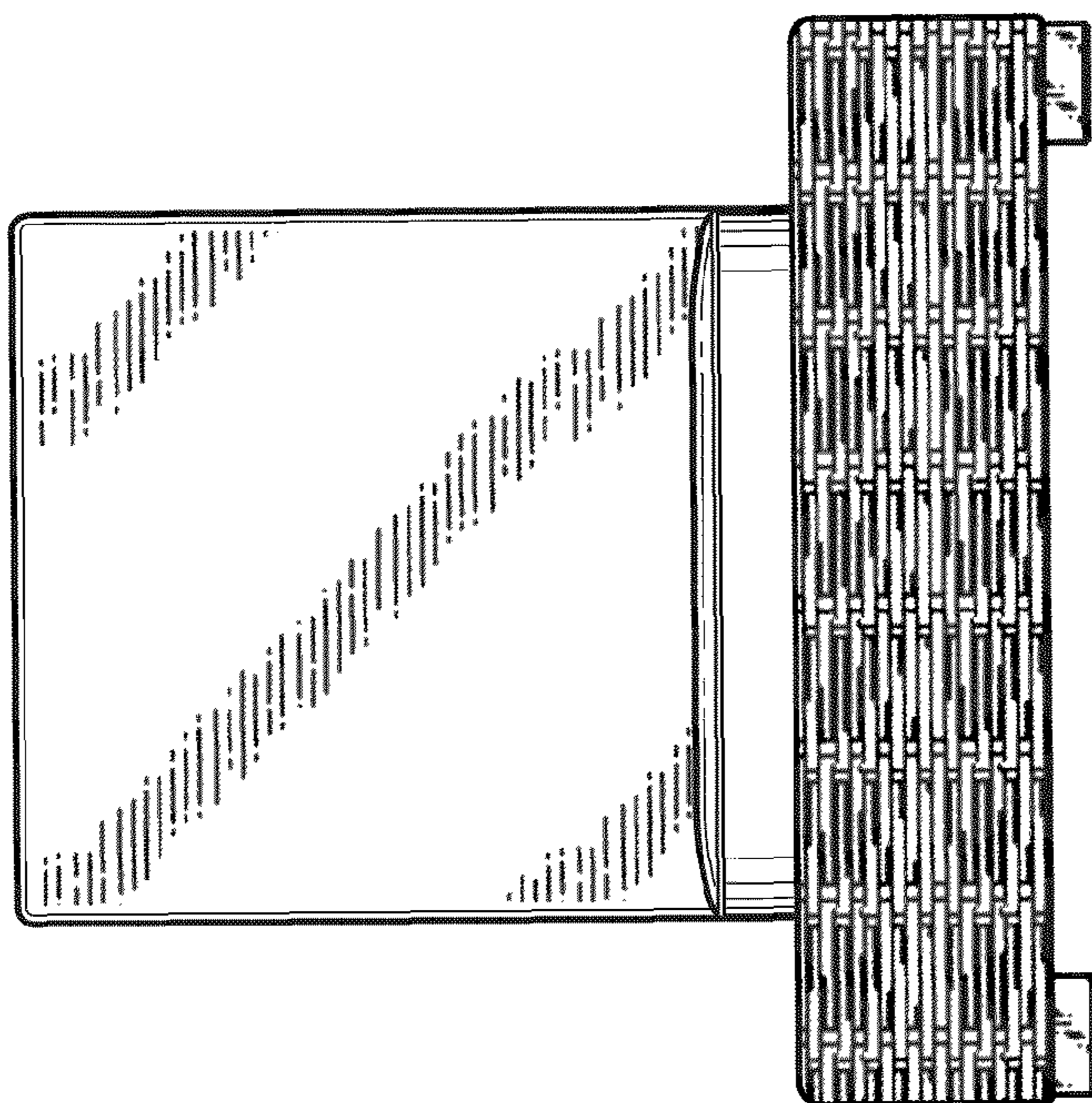


FIG. 11