



US00D651009S

(12) **United States Design Patent**
Randall

(10) **Patent No.:** **US D651,009 S**
(45) **Date of Patent:** **** Dec. 27, 2011**

(54) **SCUBA CHAIR**

(76) Inventor: **Carl Wells Randall**, Corona, CA (US)

(**) Term: **14 Years**

(21) Appl. No.: **29/368,261**

(22) Filed: **Aug. 20, 2010**

Related U.S. Application Data

(63) Continuation-in-part of application No. 12/533,996, filed on Jul. 31, 2009, now Pat. No. 7,845,720.

(60) Provisional application No. 61/092,020, filed on Aug. 26, 2008.

(51) **LOC (9) Cl.** **06-01**

(52) **U.S. Cl.** **D6/368**

(58) **Field of Classification Search** D6/310,
D6/334-336, 348, 356-381, 491, 500-502;
297/16.2, 31, 45, 188.04, 188.14, 239, 271.6,
297/284.6, 297, 354.12, 381, 411.27, 411.28,
297/411.43, 440.13, 440.15, 440.22, 445.1,
297/446.1, 446.2, 452.13, 452.18

See application file for complete search history.

5,893,605	A *	4/1999	Chang	297/188.14
6,149,238	A *	11/2000	Tsai	297/411.43
6,270,156	B1	8/2001	Metzger et al.	
6,499,804	B1 *	12/2002	Wu	297/381
6,682,135	B2 *	1/2004	Zheng	297/16.2
6,733,070	B2 *	5/2004	Chang	297/16.2
6,755,462	B2 *	6/2004	Zheng	297/16.2
6,779,838	B2 *	8/2004	Chang	297/16.2
6,814,408	B2 *	11/2004	Chen	297/284.6
7,032,965	B2	4/2006	Howell et al.	
D565,868	S *	4/2008	Matheus et al.	D6/491
D593,759	S *	6/2009	Oliphant	D6/335
7,845,720	B2 *	12/2010	Randall	297/188.04
2002/0005390	A1	1/2002	DeRocher	
2003/0052518	A1 *	3/2003	Zheng	297/16.2
2004/0007903	A1 *	1/2004	Chang	297/45
2006/0102814	A1	5/2006	Wilk et al.	

* cited by examiner

Primary Examiner — Ricky Pham

(74) *Attorney, Agent, or Firm* — Kirk A. Buhler; Buhler & Associates

(57) **CLAIM**

The ornamental design for a scuba chair, as shown and described.

DESCRIPTION

FIG. 1 is a right side view for a scuba chair showing my new design;

FIG. 2 is a left view thereof;

FIG. 3 is a front view thereof;

FIG. 4 is a back view thereof;

FIG. 5 is a top view thereof;

FIG. 6 is a bottom view thereof; and,

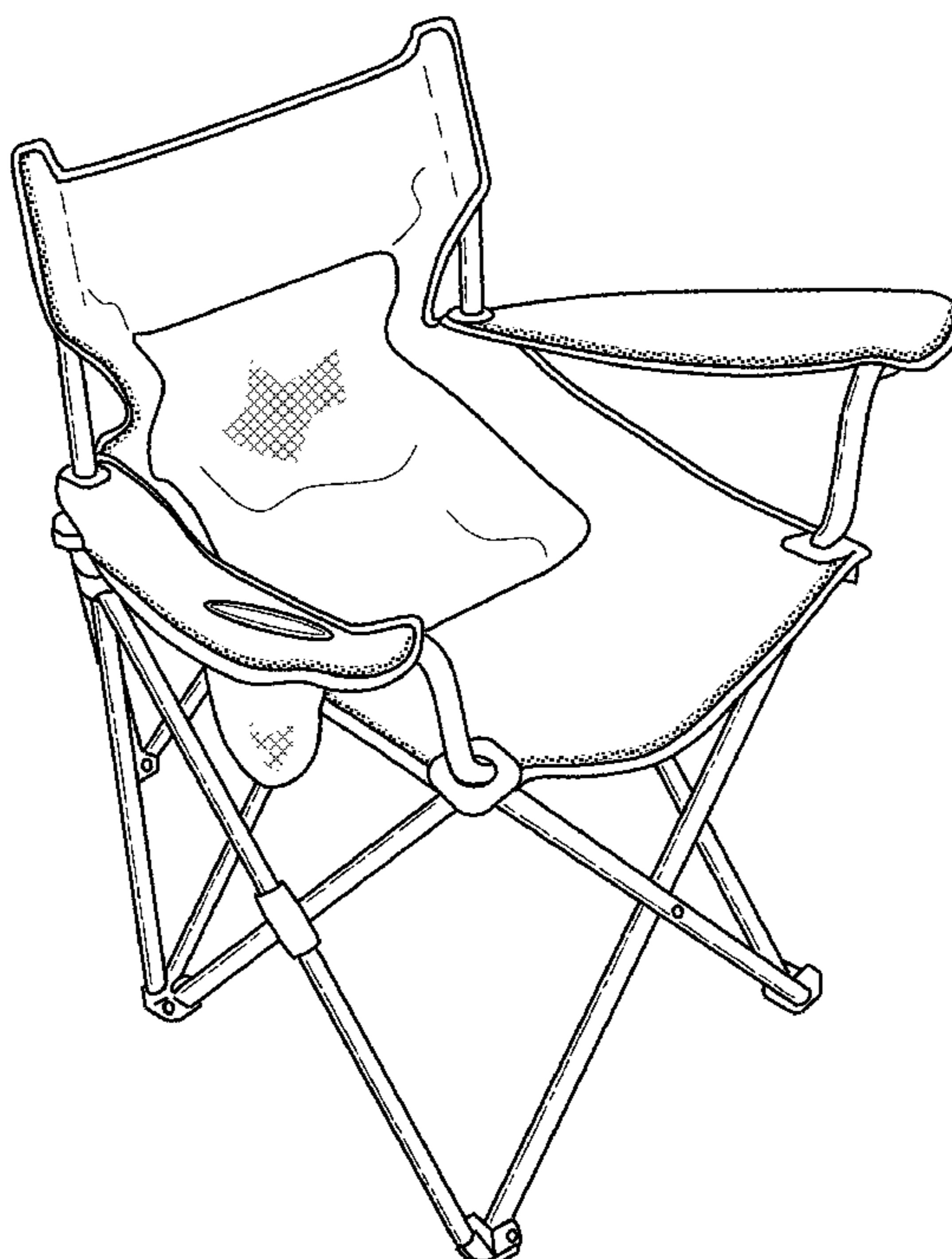
FIG. 7 is a perspective view thereof.

1 Claim, 4 Drawing Sheets

(56) **References Cited**

U.S. PATENT DOCUMENTS

4,276,851	A	7/1981	Coleman
4,566,731	A	1/1986	Marchesini
4,618,184	A	10/1986	Harvey
4,696,420	A	9/1987	Kulik
4,815,761	A	3/1989	Henderson
5,131,670	A	7/1992	Clements et al.
5,288,001	A	2/1994	Locarno
5,741,020	A	4/1998	Harroun



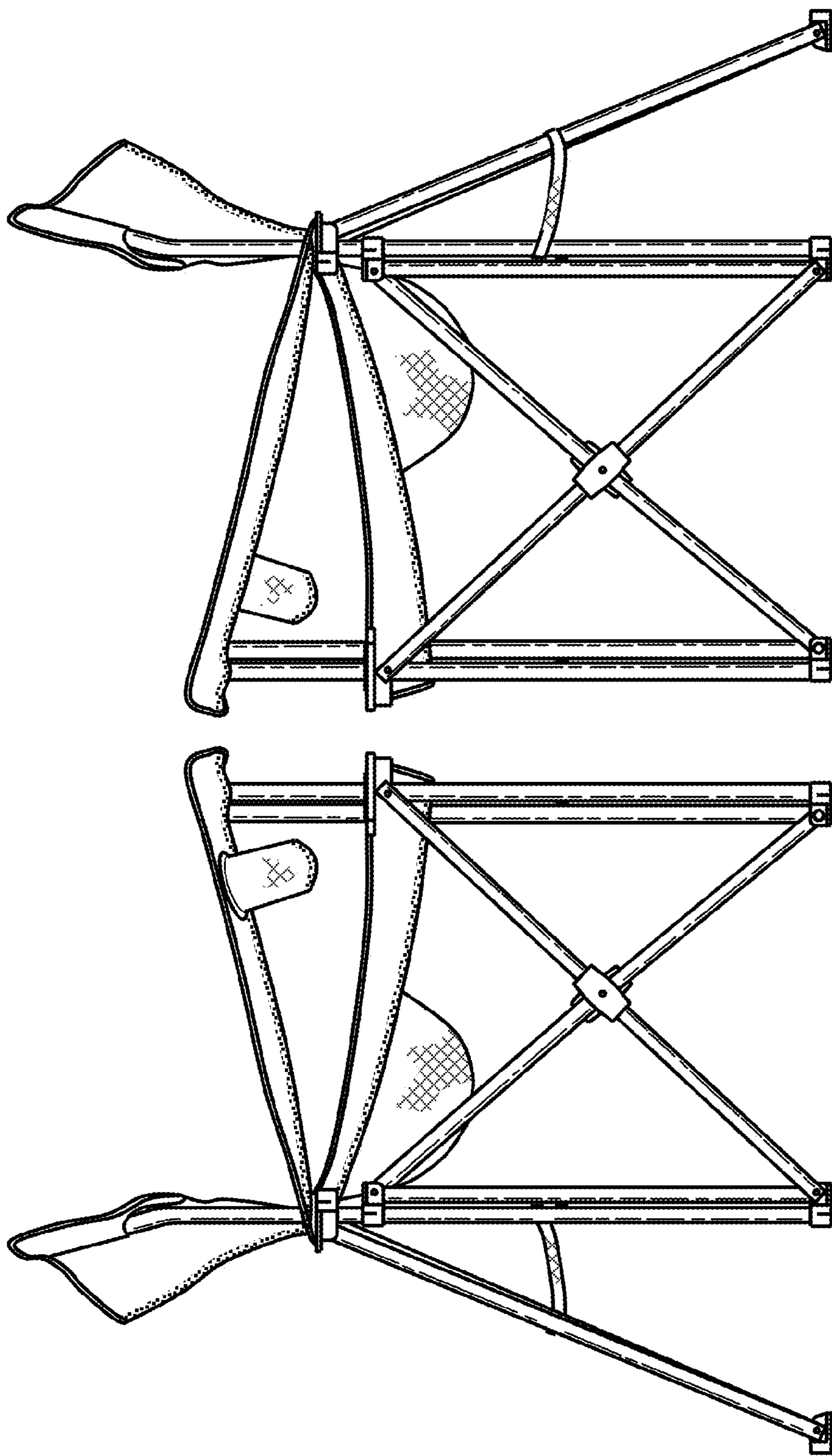


FIG. 2

FIG. 1

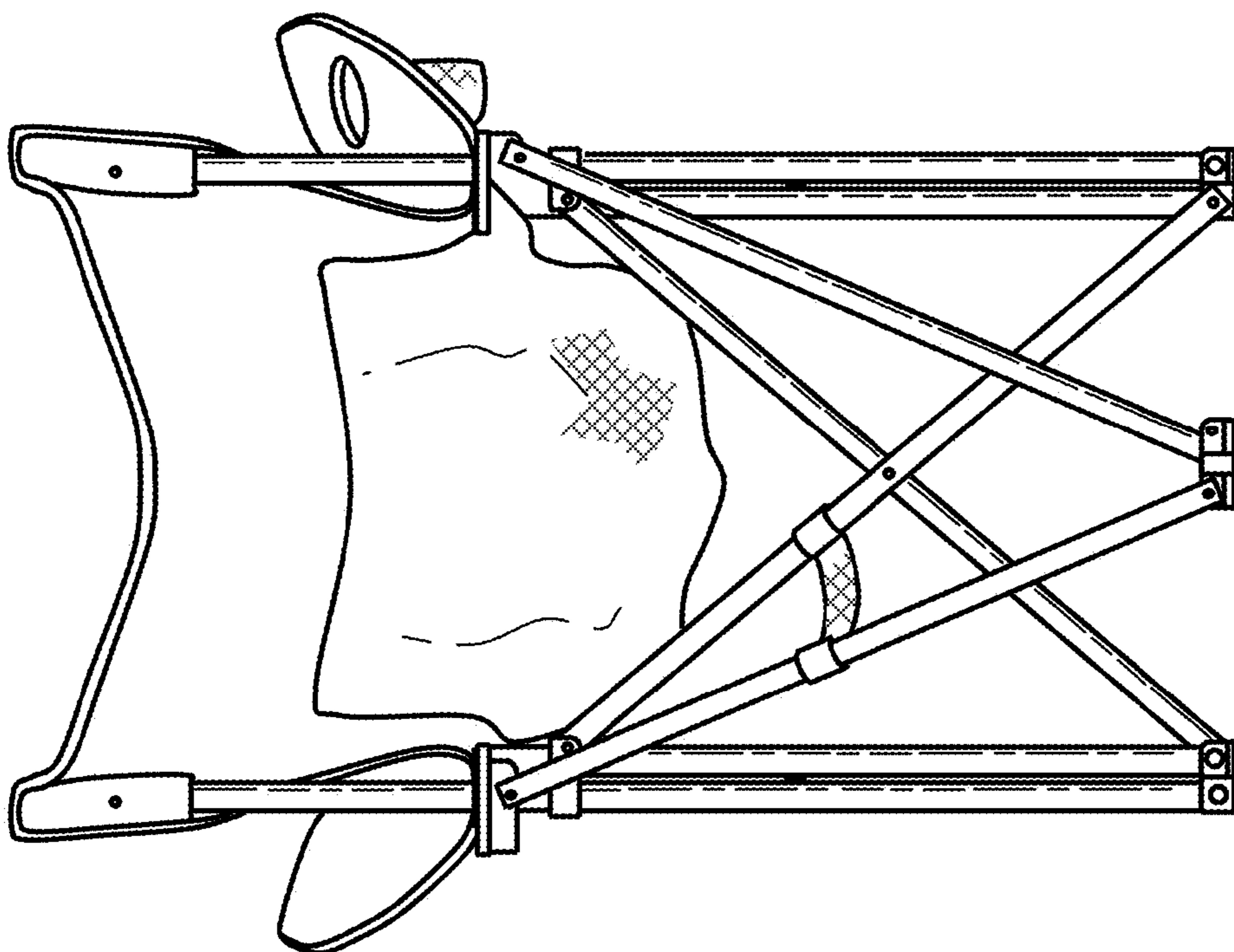


FIG. 4

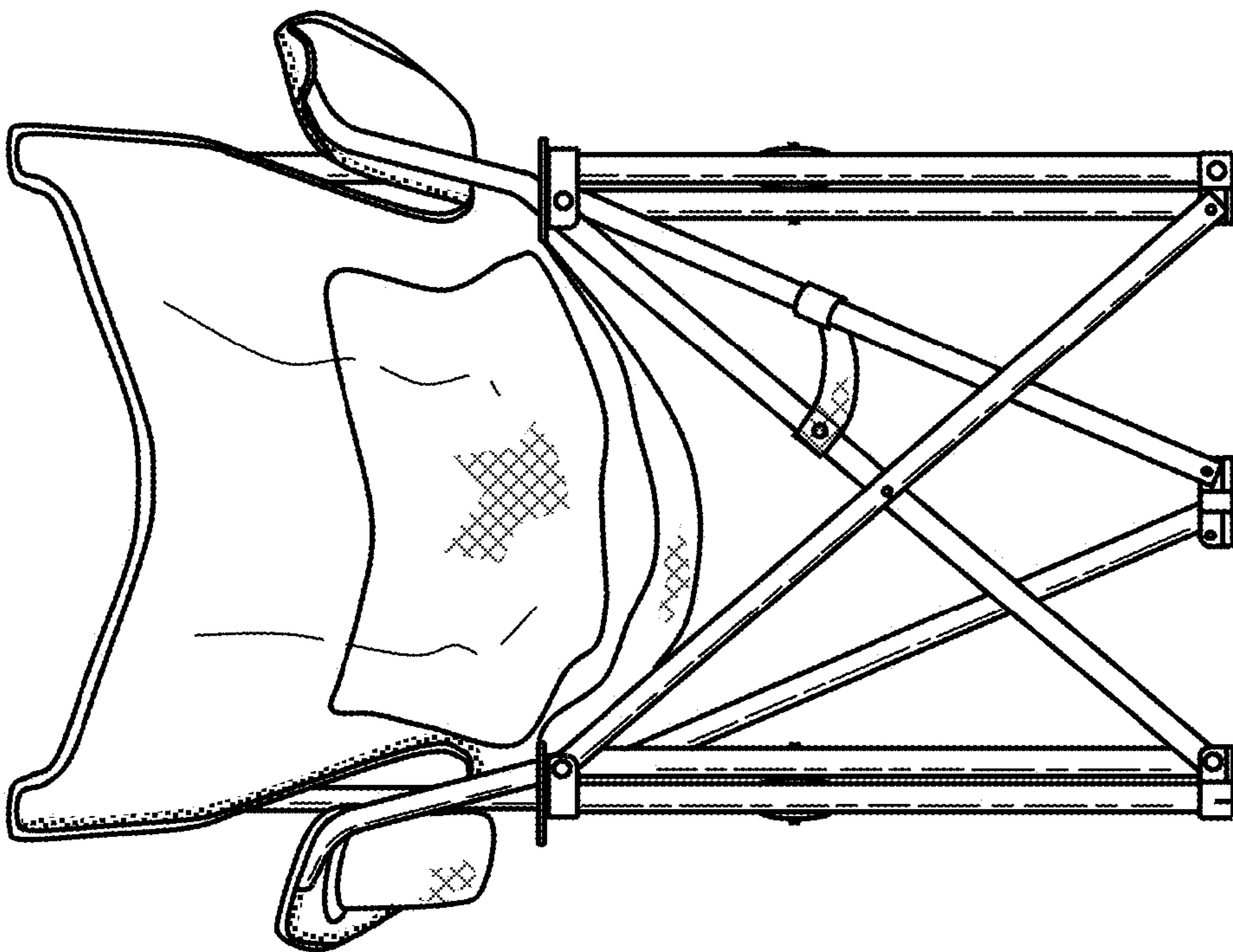


FIG. 3

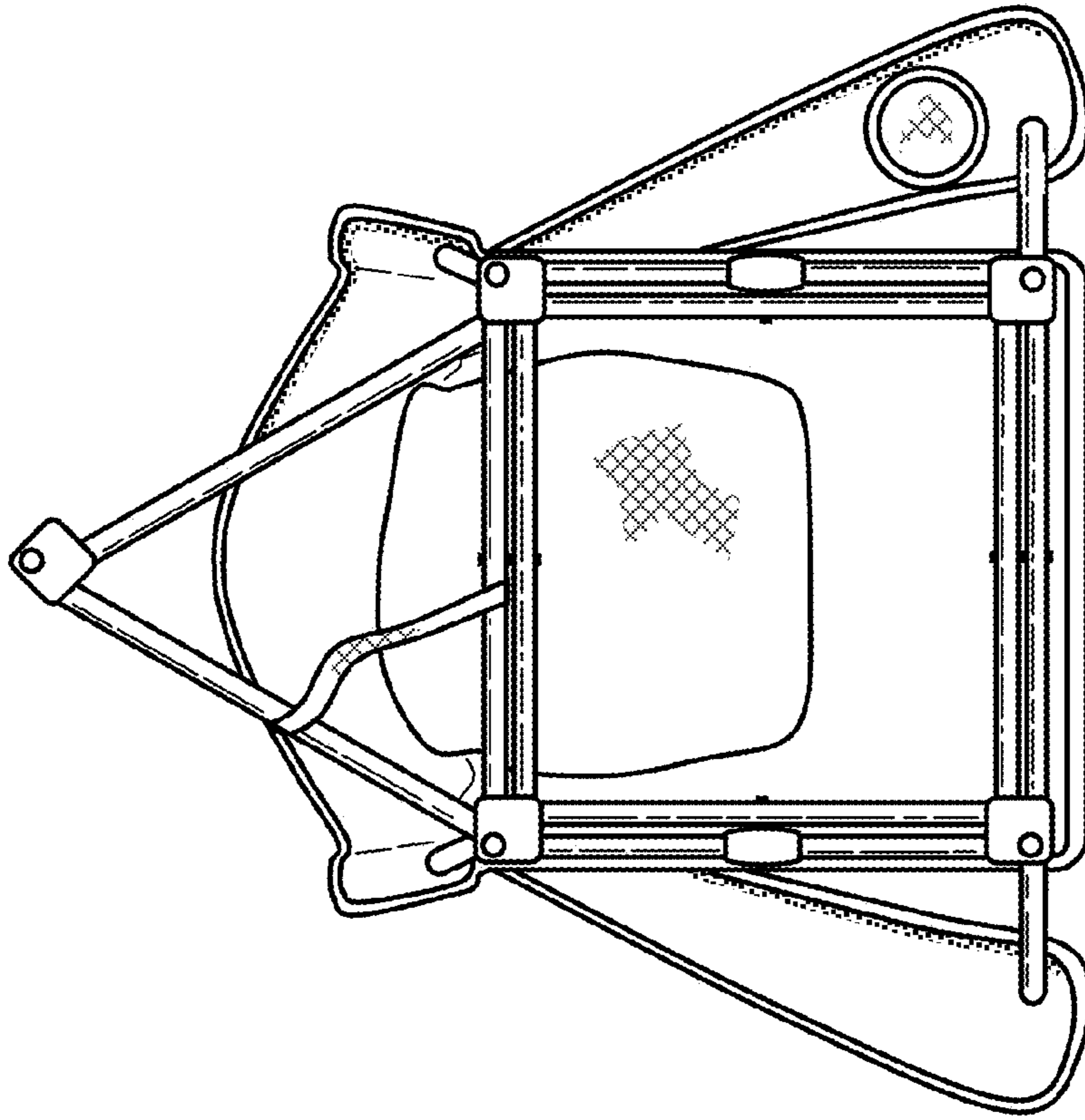


FIG. 6

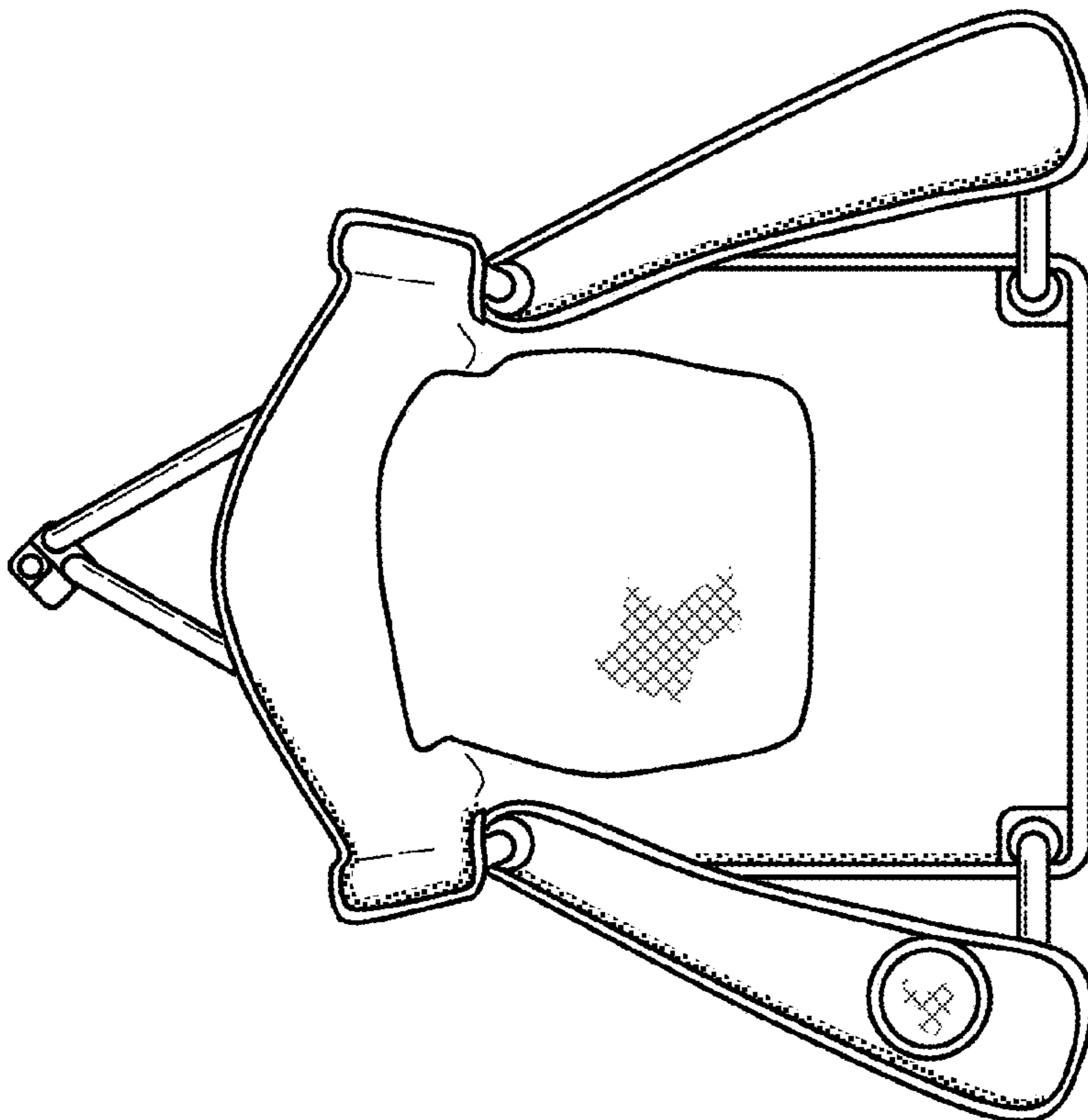


FIG. 5

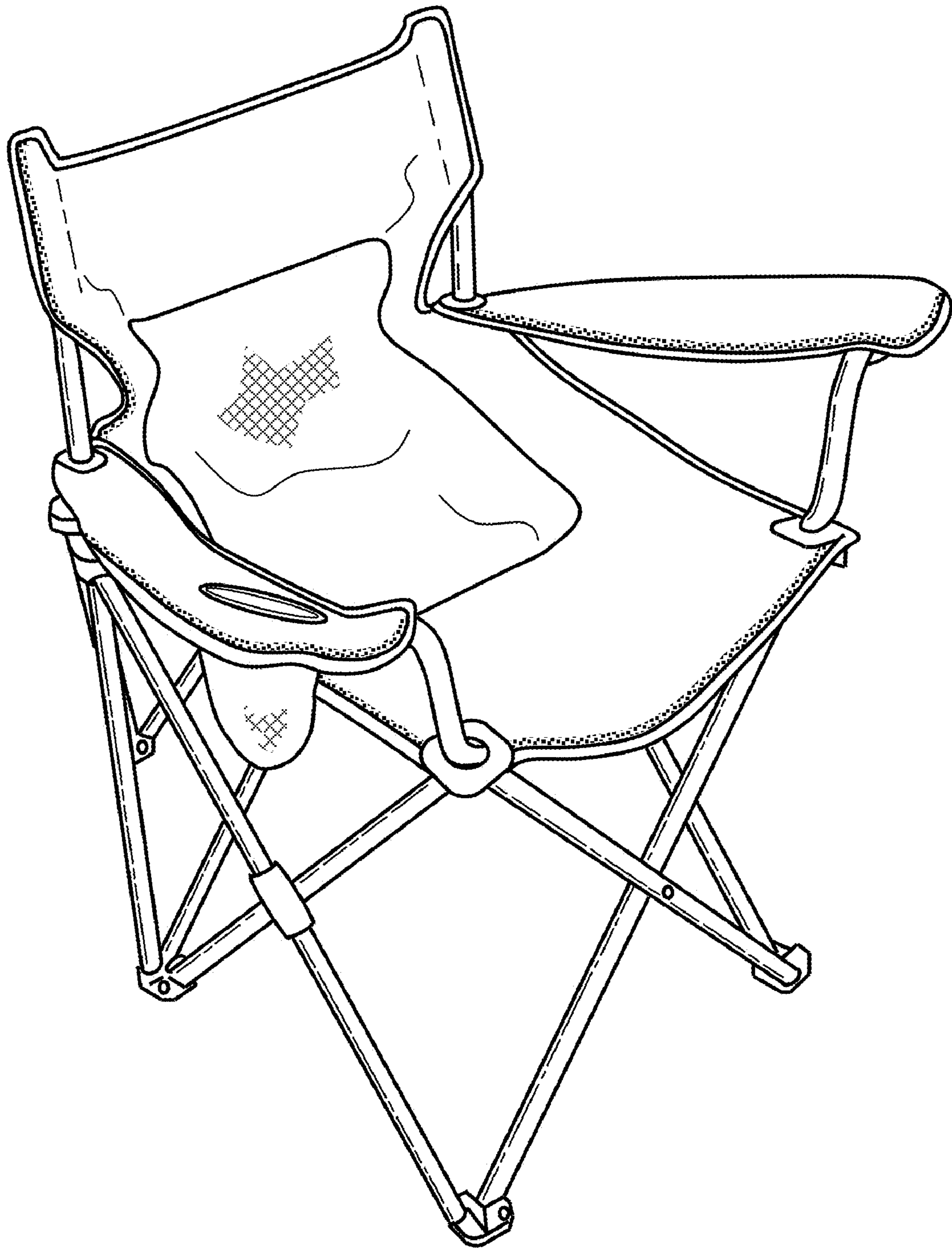


FIG. 7