



US00D651005S

(12) **United States Design Patent**  
**Wodecki**

(10) **Patent No.:** **US D651,005 S**

(45) **Date of Patent:** **\*\* Dec. 27, 2011**

(54) **MEDICAL IMAGING SCANNER CHAIR**

(75) Inventor: **Lionel Wodecki**, Maisons Alfort (FR)

(73) Assignee: **General Electric Company**,  
Schenectady, NY (US)

(\*\*) Term: **14 Years**

(21) Appl. No.: **29/359,645**

(22) Filed: **Apr. 14, 2010**

(51) **LOC (9) Cl.** ..... **06-01**

(52) **U.S. Cl.** ..... **D6/358**

(58) **Field of Classification Search** ..... D6/334-336,  
D6/345, 351, 358, 364, 365, 374, 375, 377,  
D6/500-502; D24/158; 297/181, 445.1,  
297/446.1, 447.3, 448.2, 451.4, 451.5; 5/652,  
5/655

See application file for complete search history.

(56) **References Cited**

**U.S. PATENT DOCUMENTS**

D226,995 S *	5/1973	Costabile .....	D6/364
D538,545 S *	3/2007	Zimmermann .....	D6/358
D552,853 S *	10/2007	Goodrick .....	D6/334
D576,808 S *	9/2008	Ton .....	D6/349
D591,064 S *	4/2009	Lee et al. ....	D6/334
D596,862 S *	7/2009	Paulin .....	D6/334
D606,326 S *	12/2009	Bassler .....	D6/334
D628,400 S *	12/2010	Duchaufour Lawrance ..	D6/334

\* cited by examiner

*Primary Examiner* — Mimoso De

(74) *Attorney, Agent, or Firm* — Ziolkowski Patent Solutions Group, SC

(57) **CLAIM**

The ornamental design for a medical imaging scanner chair, as shown and described herein.

**DESCRIPTION**

FIG. 1 is a perspective view of a medical imaging scanner chair having a design thereon in accordance with an embodiment of the present invention.

FIG. 2 is a front elevational view of the medical imaging scanner chair of FIG. 1.

FIG. 3 is a left side elevational view of the medical imaging scanner chair of FIG. 1.

FIG. 4 is a right side elevational view of the medical imaging scanner chair of FIG. 1.

FIG. 5 is a rear elevational view of the medical imaging scanner chair of FIG. 1; and,

FIG. 6 is a top plan view of the medical imaging scanner chair of FIG. 1.

The broken lines shown in all figures are for illustrative purposes only and form no part of the claimed design.

**1 Claim, 3 Drawing Sheets**

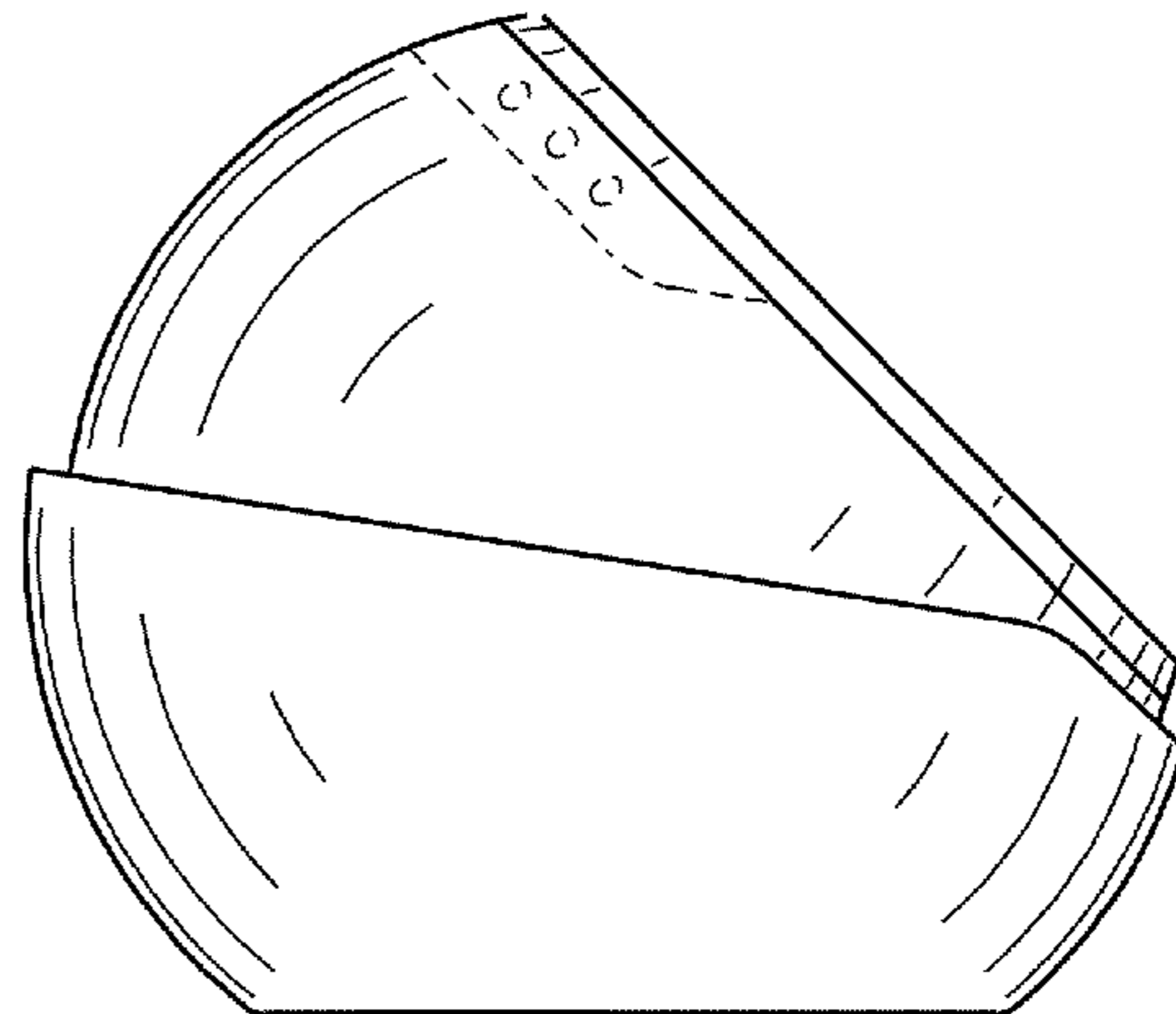
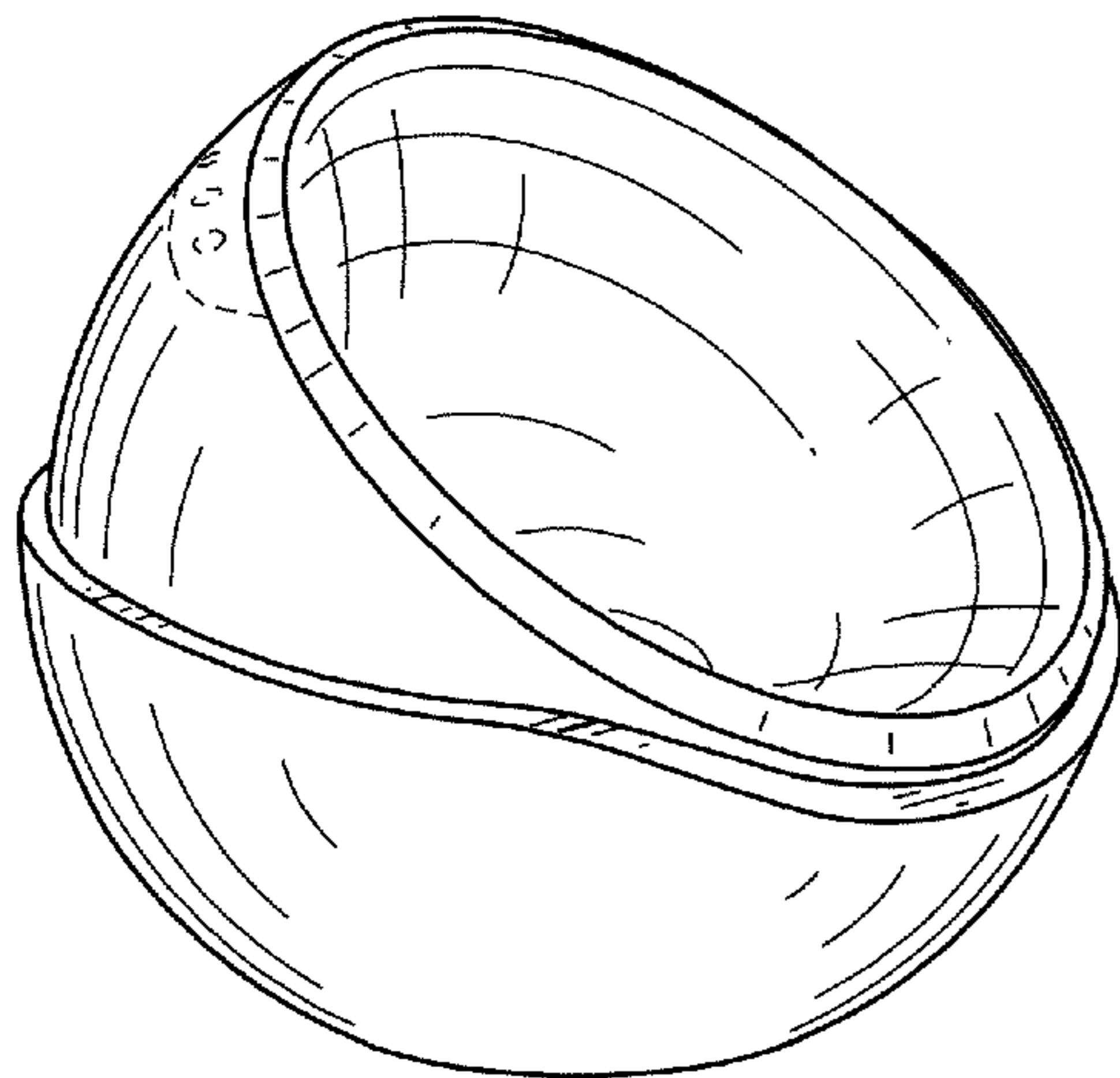


FIG. 1

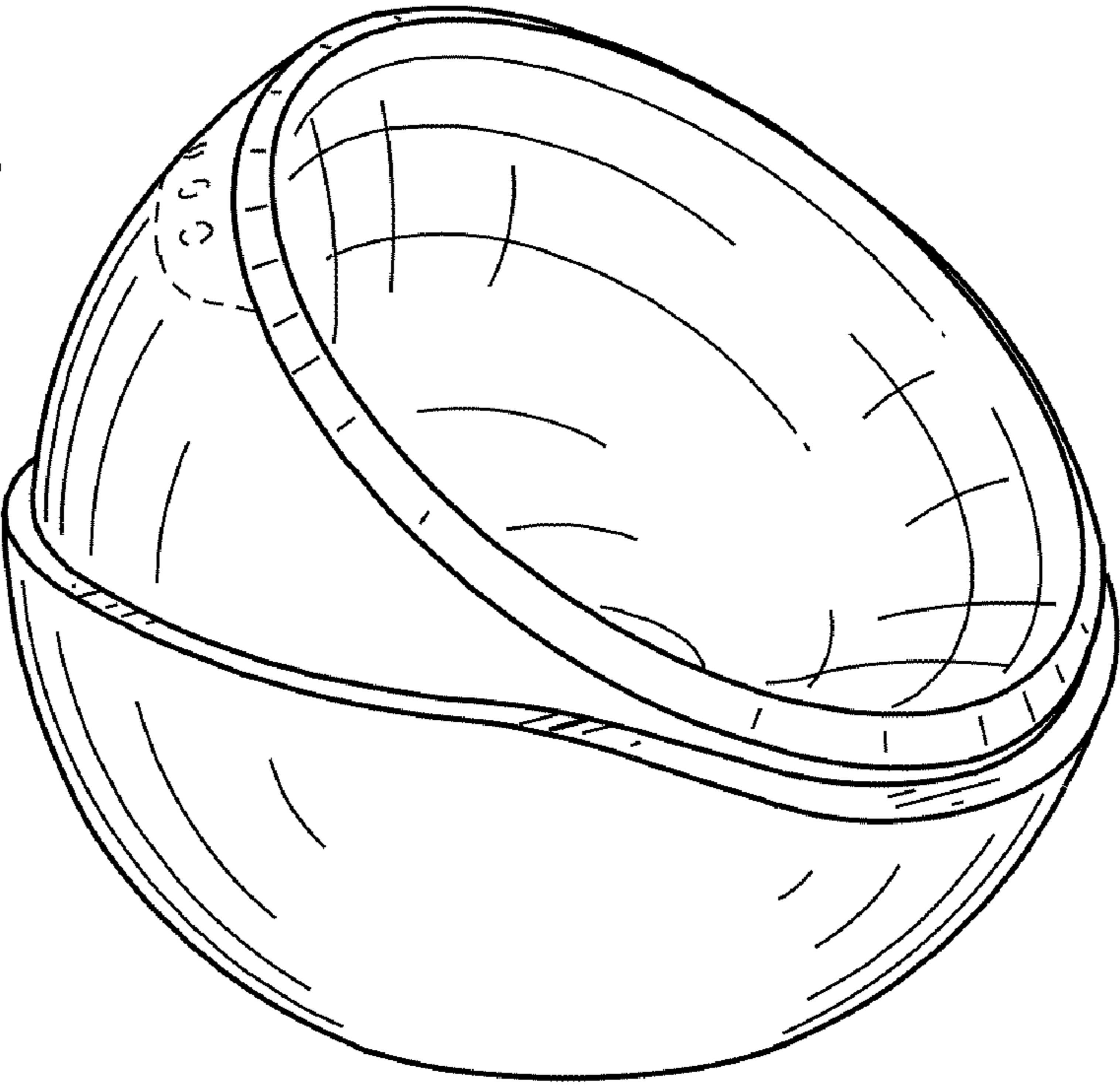


FIG. 2

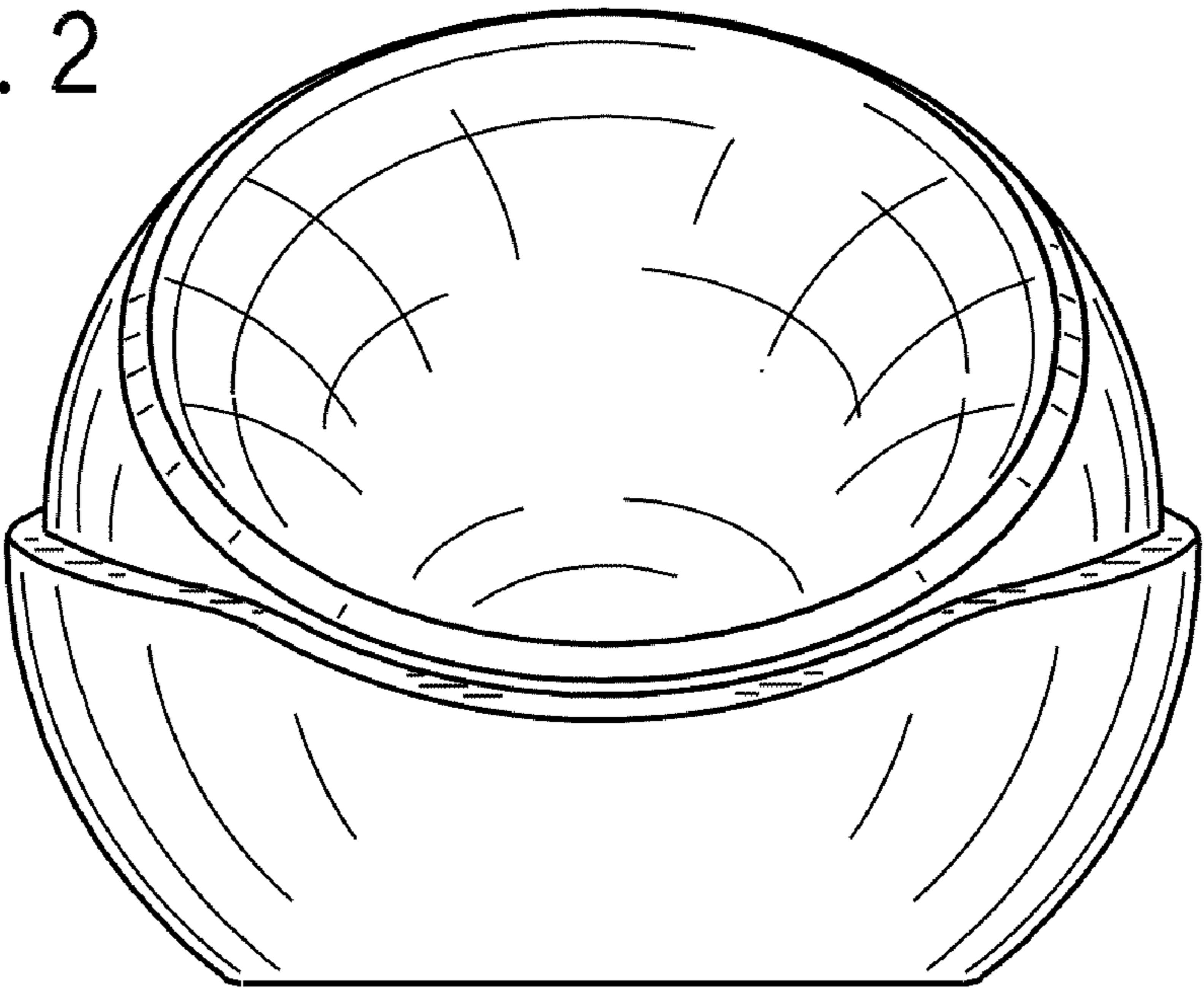


FIG. 3

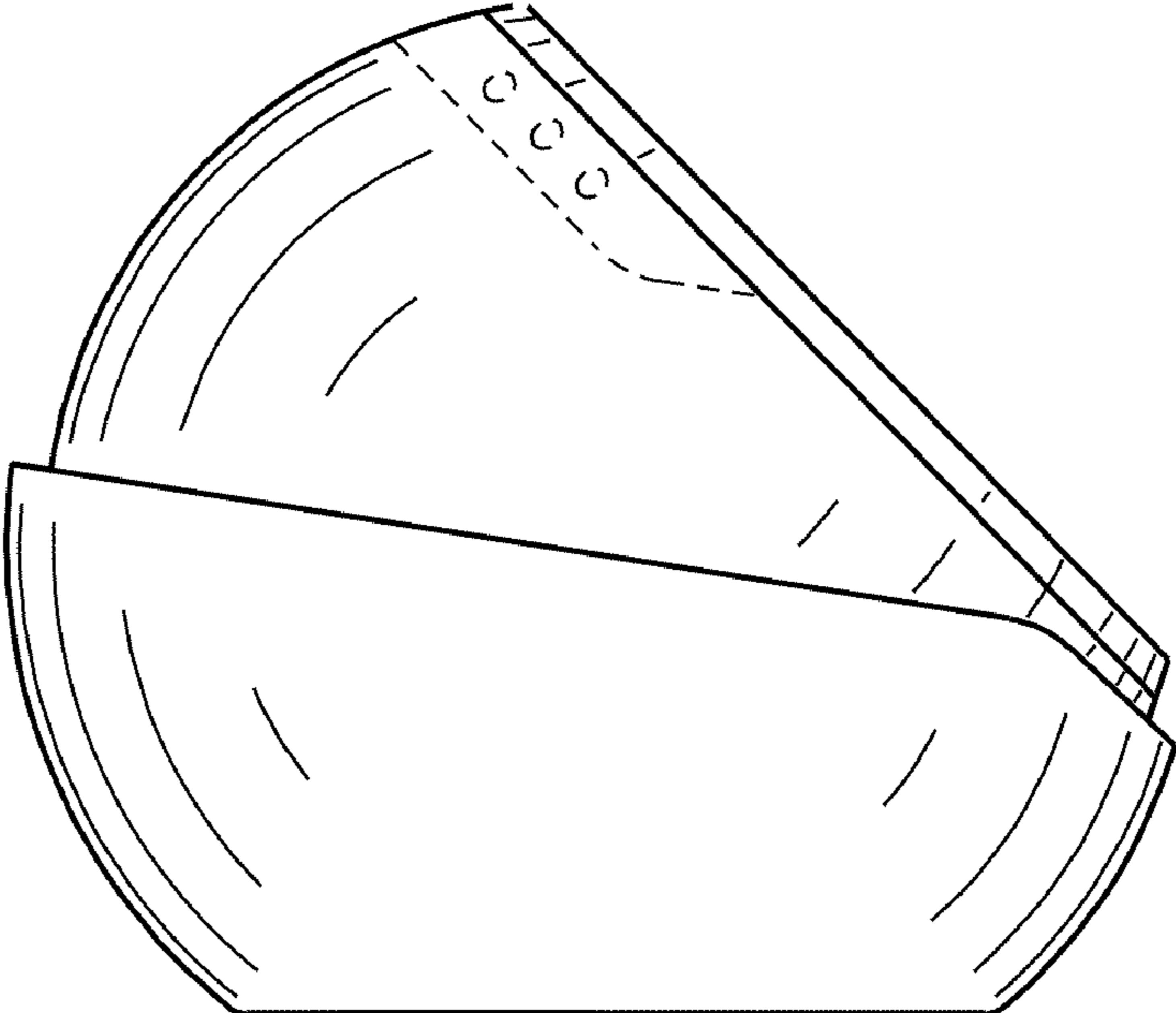


FIG. 4

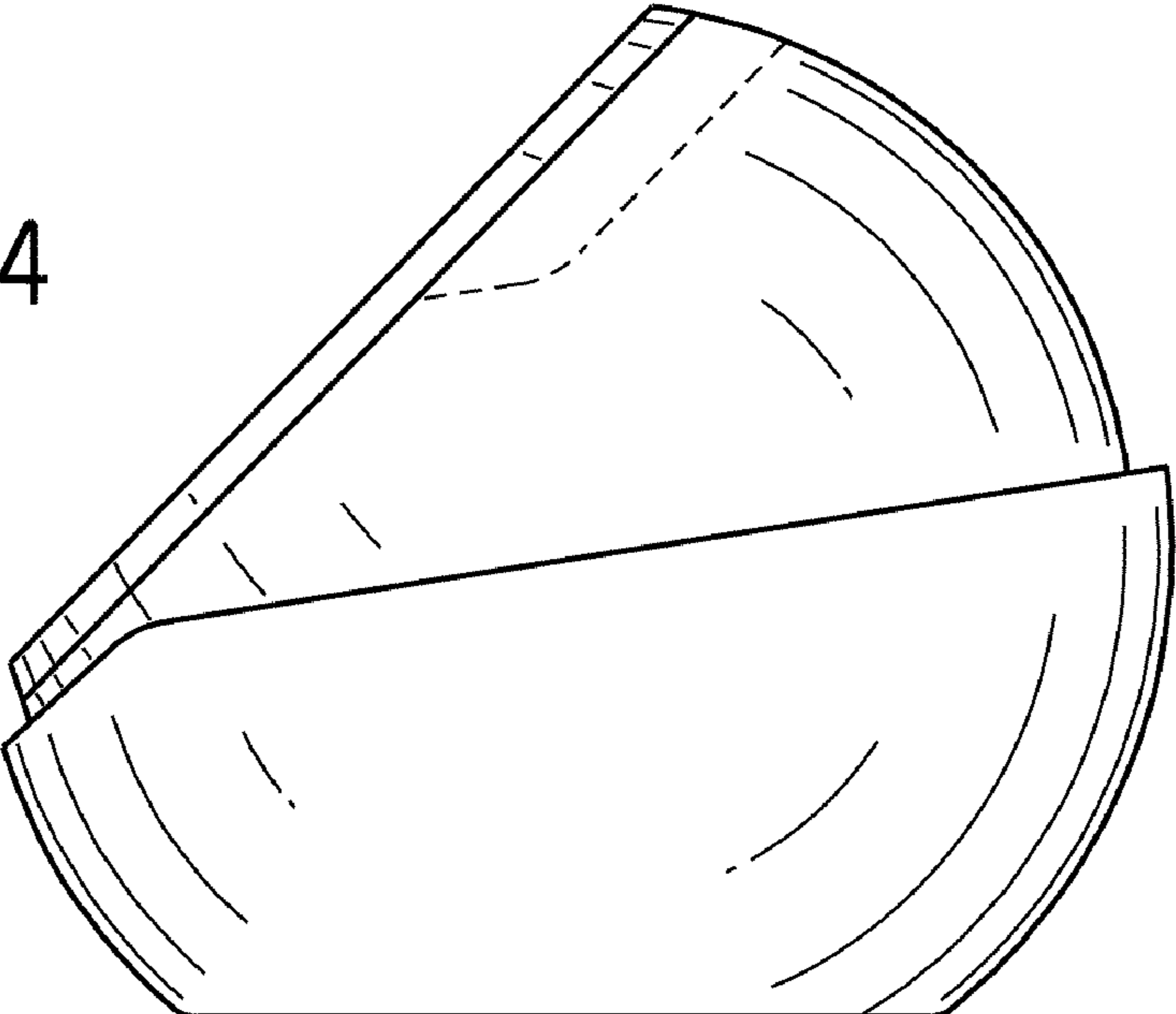


FIG. 5

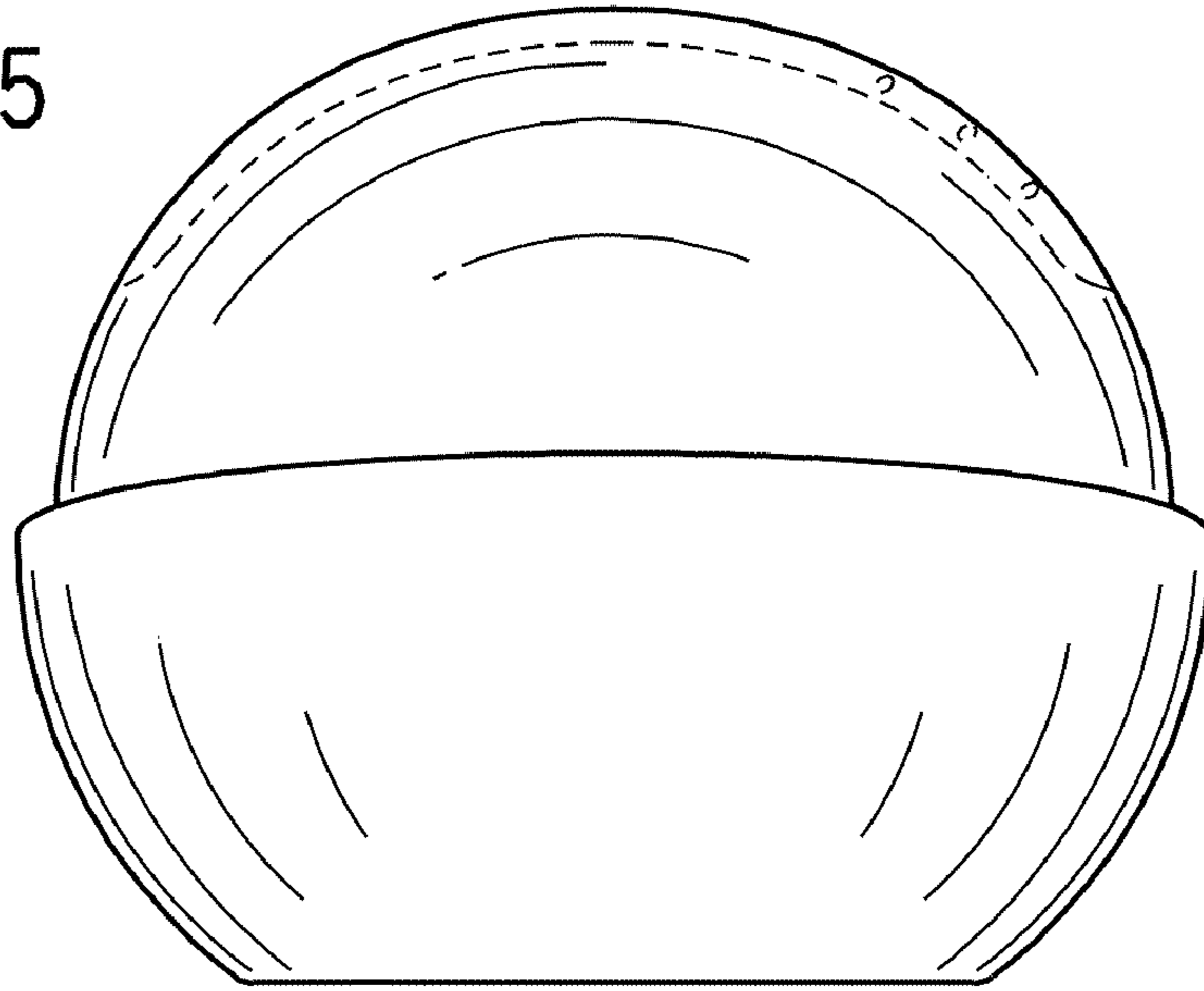


FIG. 6

