



US00D651000S

(12) **United States Design Patent**  
**Sclare**

(10) **Patent No.:** **US D651,000 S**

(45) **Date of Patent:** **\*\* Dec. 27, 2011**

(54) **OVERHEAD STRUCTURE FOR AN INFANT SEAT**

(75) Inventor: **Jake Scclare**, Dacula, GA (US)

(73) Assignee: **Kids II, Inc.**, Alpharetta, GA (US)

(\*\*) Term: **14 Years**

(21) Appl. No.: **29/389,272**

(22) Filed: **Apr. 8, 2011**

(51) **LOC (9) Cl.** ..... **06-01**

(52) **U.S. Cl.** ..... **D6/333**

(58) **Field of Classification Search** ..... D6/333,  
D6/335, 339, 491, 500-502; 297/183.1,  
297/183.2, 183.3, 183.4, 184.13, 184.15,  
297/184.17, 250.1, 255, 256.1, 256.15, 256.16;  
5/94, 98.1, 99.1, 101, 102, 105, 655; D3/6;  
D12/129; D21/412, 419, 834; 280/30, 31,  
280/642, 47.38, 47.4, 647

See application file for complete search history.

(56) **References Cited**

**U.S. PATENT DOCUMENTS**

D232,137	S *	7/1974	Petlier .....	D6/333
D288,757	S *	3/1987	Hoeckel .....	D6/491
D297,685	S *	9/1988	Wilson .....	D6/348
D345,128	S *	3/1994	Kassai .....	D12/129
D396,207	S	7/1998	Berkey	
D412,468	S	8/1999	Berkey et al.	
5,947,552	A	9/1999	Wilkins et al.	
6,027,163	A	2/2000	Longenecker	
D429,923	S *	8/2000	Meglino et al. ....	D6/491
D438,731	S *	3/2001	Brown et al. ....	D6/491
6,257,659	B1	7/2001	Wilkins et al.	
6,390,555	B2	5/2002	Wilkins et al.	
6,443,522	B1	9/2002	Kain et al.	
6,851,745	B2	2/2005	nee Wilkins et al.	
7,455,353	B2	11/2008	Favorito (nee Wilkins) et al.	
D602,266	S *	10/2009	Hagstrom .....	D6/333
D615,780	S	5/2010	Kwon et al.	

**OTHER PUBLICATIONS**

Website disclosing Bright Starts™ Comfort & Harmony™ Cradling Bouncer, <http://web.archive.org/web/20100402103304/http://www.brightstarts.com/p-216-comfort-harmony-cradling-bouncer.aspx>, Apr. 2, 2010.

Instruction Manual for Boppy™ Rock In Comfort™ Swing. Exact publication date unknown, believed to have been published in Feb. 2007.

Website disclosing Graco® Soothe & Swaddle™ Bouncer, <http://web.archive.org/web/20080309150914/http://www.toysrus.com/product/index.jsp?productId=3030695>; Mar. 9, 2008.

Website disclosing Combi® POD Bouncer, <http://web.archive.org/web/20100211232824/http://www.toysrus.com/product/index.jsp?productId=3819496>; Feb. 11, 2010.

(Continued)

*Primary Examiner* — Caron D Veynar

*Assistant Examiner* — Abraham Bahta

(74) *Attorney, Agent, or Firm* — Alston & Bird LLP

(57) **CLAIM**

I claim the ornamental design for an overhead structure for an infant seat, as shown and described.

**DESCRIPTION**

FIG. 1 is a perspective view of an embodiment of an overhead structure for an infant seat showing my new design;

FIG. 2 is another perspective view thereof;

FIG. 3 is front side elevation view thereof;

FIG. 4 is a rear side elevation view thereof;

FIG. 5 is a left side elevation view thereof;

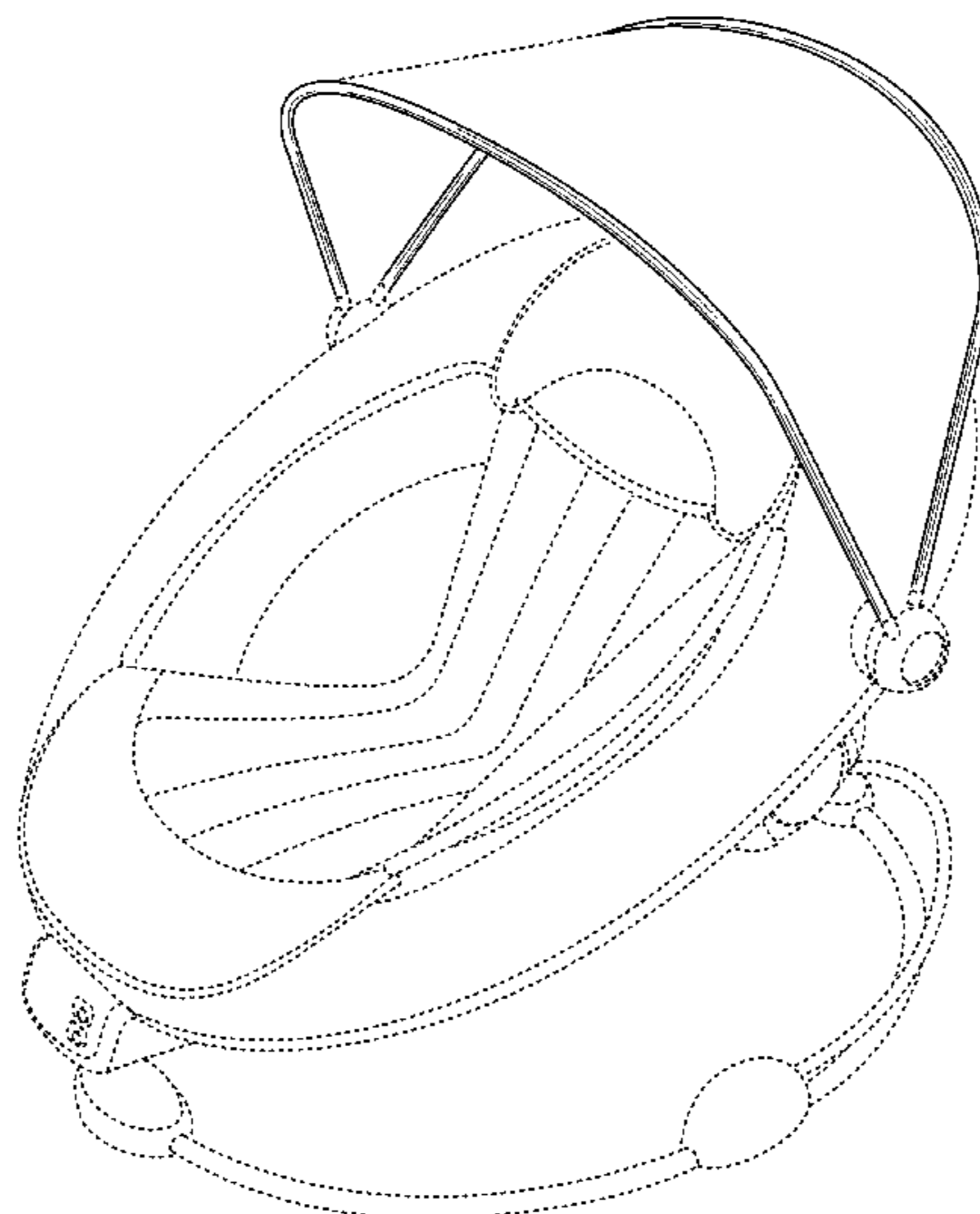
FIG. 6 is a right side elevation view thereof;

FIG. 7 is a top plan view thereof; and,

FIG. 8 is a perspective view of another embodiment of an overhead structure for an infant seat showing my new design.

The broken lines immediately adjacent solid lines represent bounds of the claimed design and environment while all other broken lines are directed to environment and are for illustrative purposes only. The broken lines form no part of the claimed design.

**1 Claim, 8 Drawing Sheets**



OTHER PUBLICATIONS

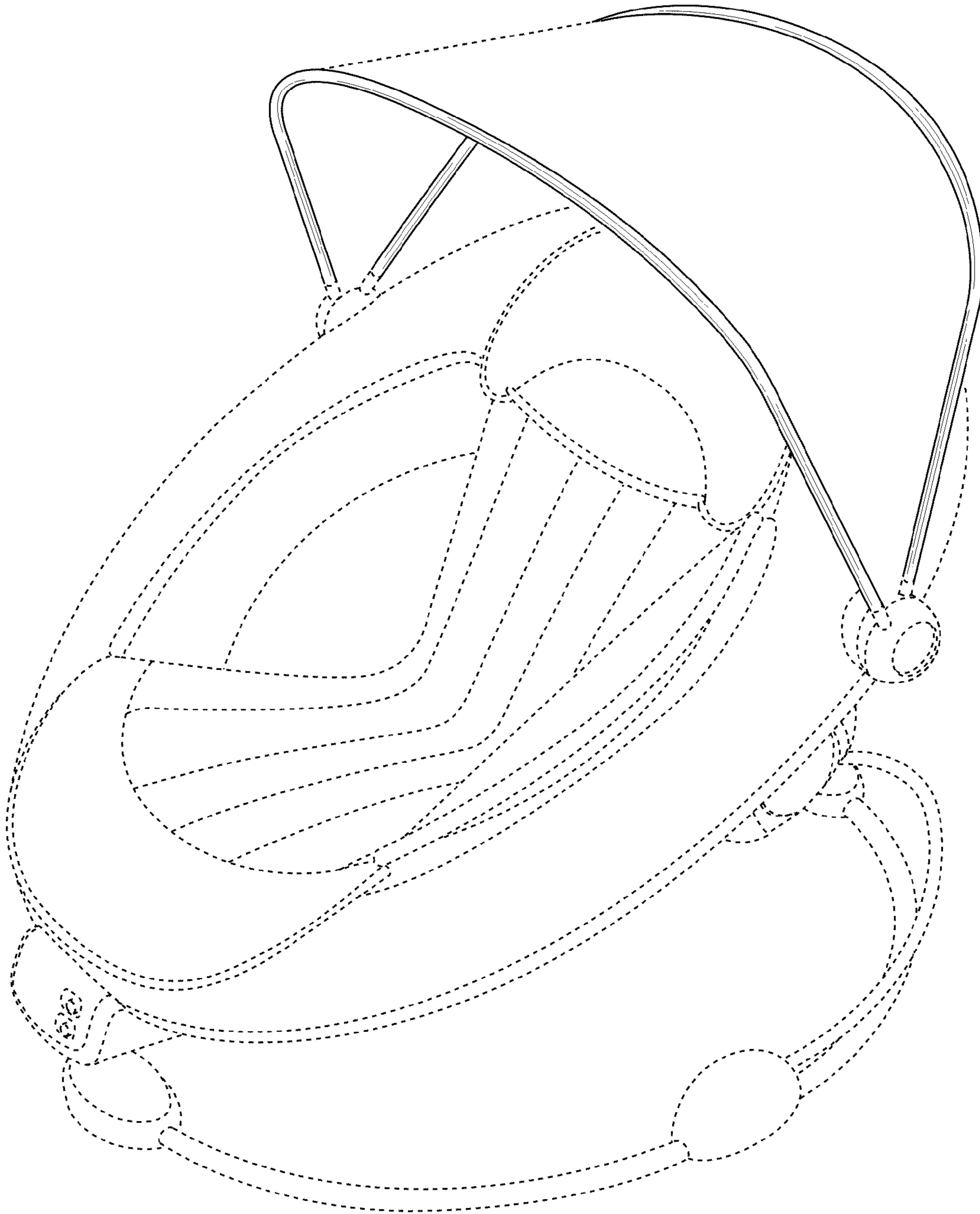
Website disclosing Eddie Bauer® Soothing Comfort Bouncenette,  
<http://www.babyage.com/baby-gear/eddie-bauer-baby-gear/eddie-bauer-soothing-comfort-bouncenette-46628.htm>; Jul. 16, 2009.

Website disclosing Safety 1<sup>st</sup>® Disney® Musical Deluxe™ Bouncer,  
[http://web.archive.org/web/20101009214227/http://www.](http://web.archive.org/web/20101009214227/http://www.babyswings.com/baby-bouncers/baby-bouncers/disneymusicaldeluxebounce.cfm)

[babyswings.com/baby-bouncers/baby-bouncers/disneymusicaldeluxebounce.cfm](http://www.babyswings.com/baby-bouncers/baby-bouncers/disneymusicaldeluxebounce.cfm); Oct. 9, 2010.

Website disclosing Svan® Bouncer, <http://web.archive.org/web/20061110083254/http://www.svanusa.com/bouncer.cfm>; Nov. 10, 2006.

\* cited by examiner



**FIG. 1**

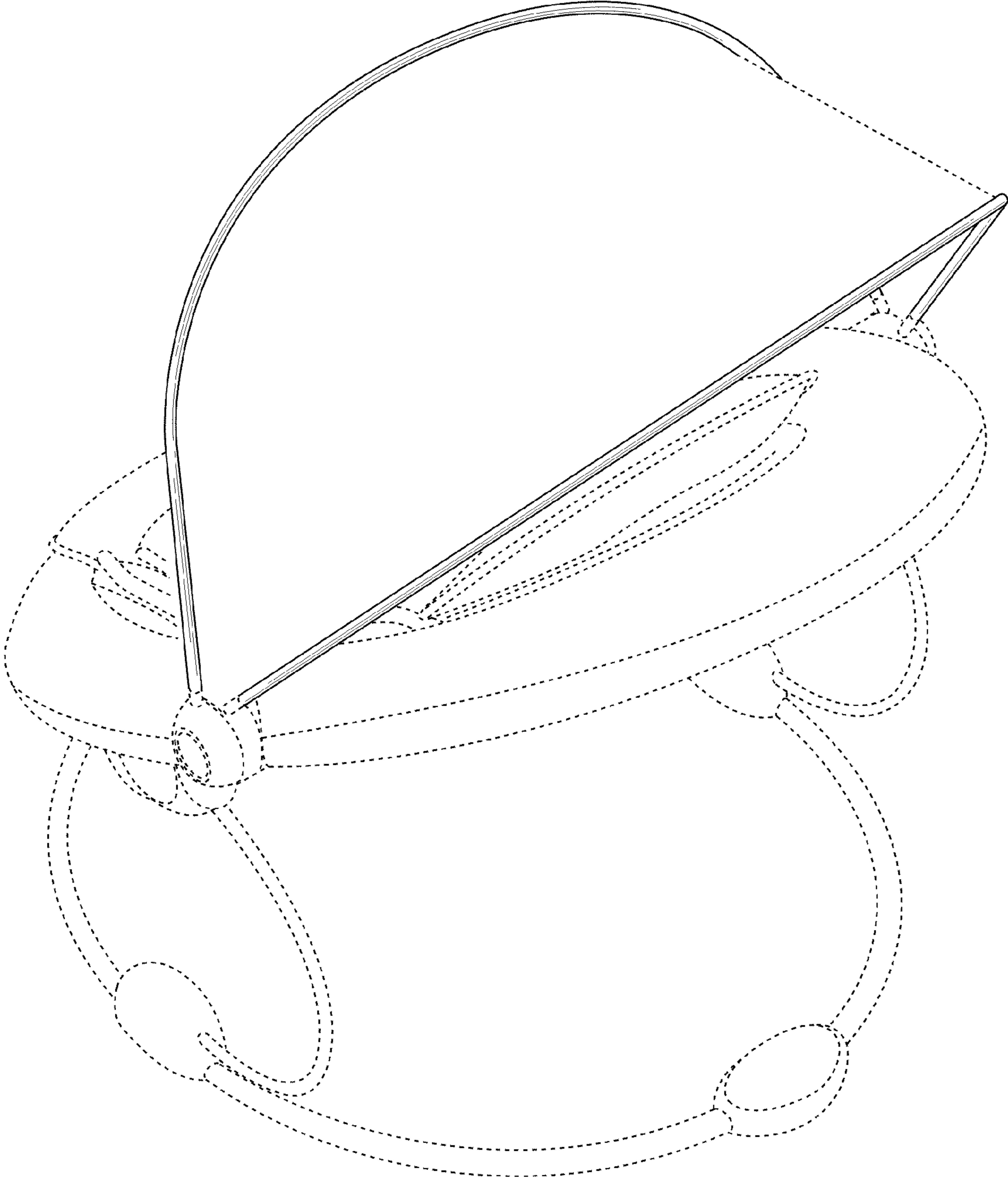
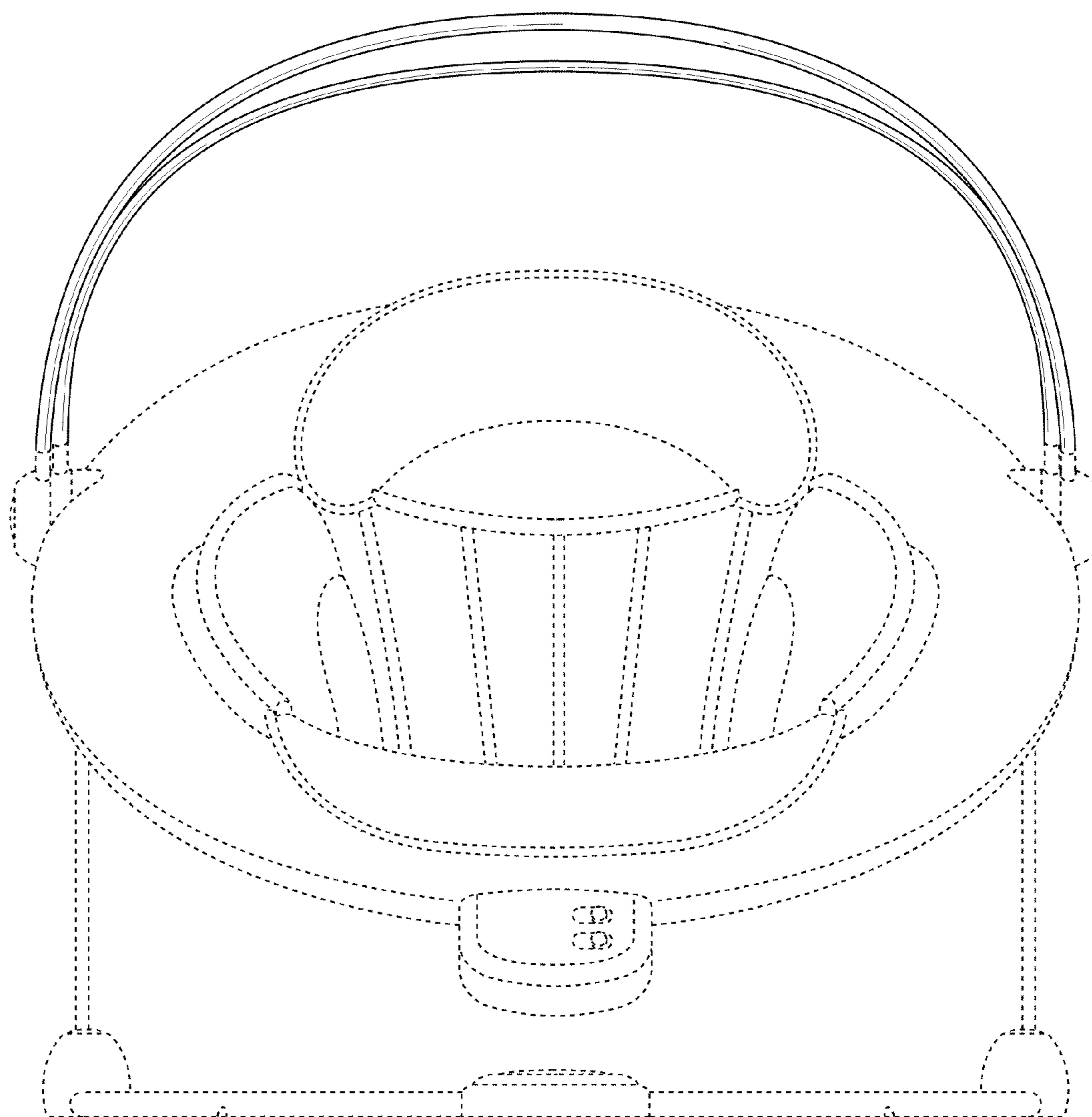


FIG. 2





**FIG. 3**

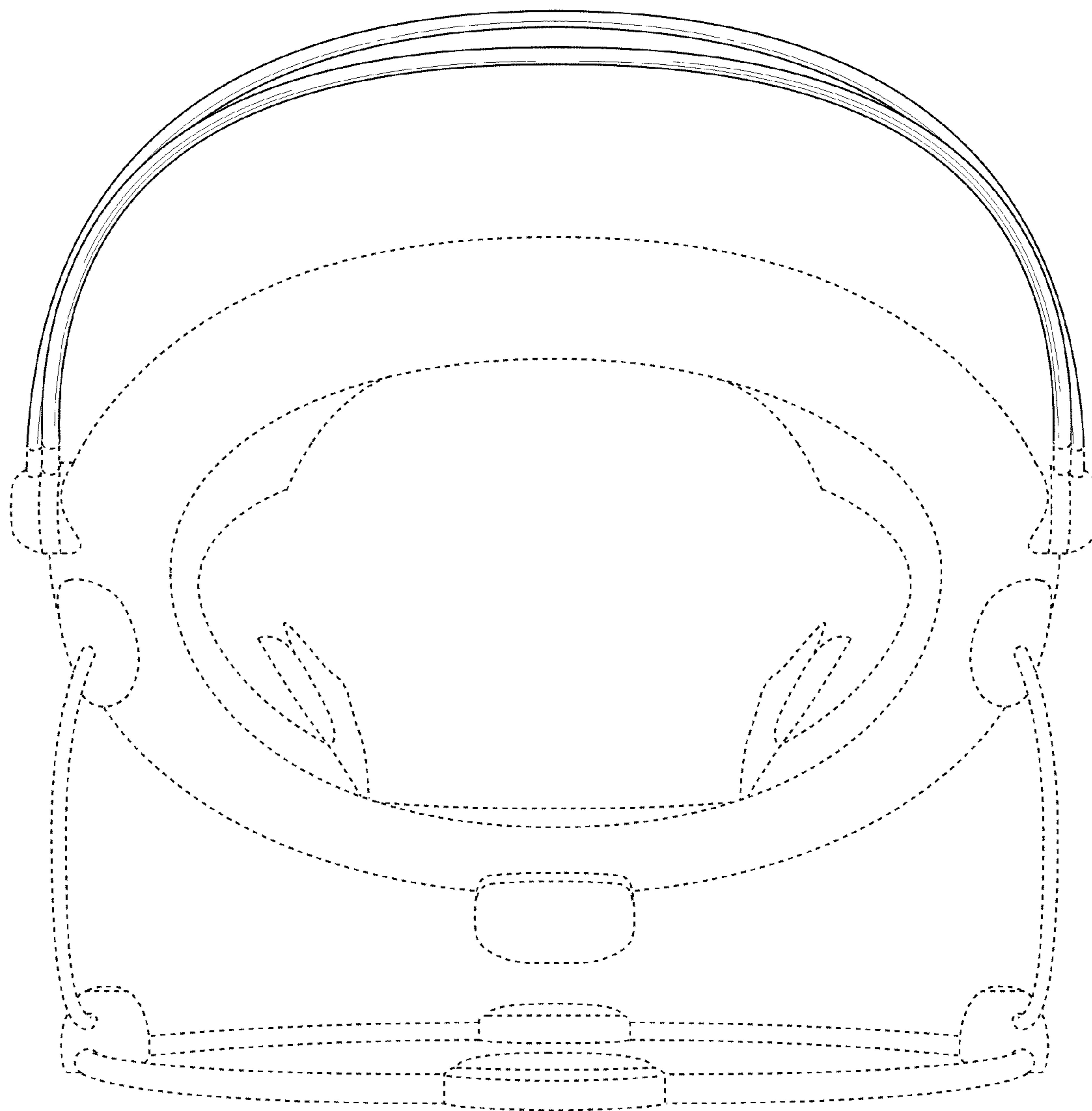


FIG. 4

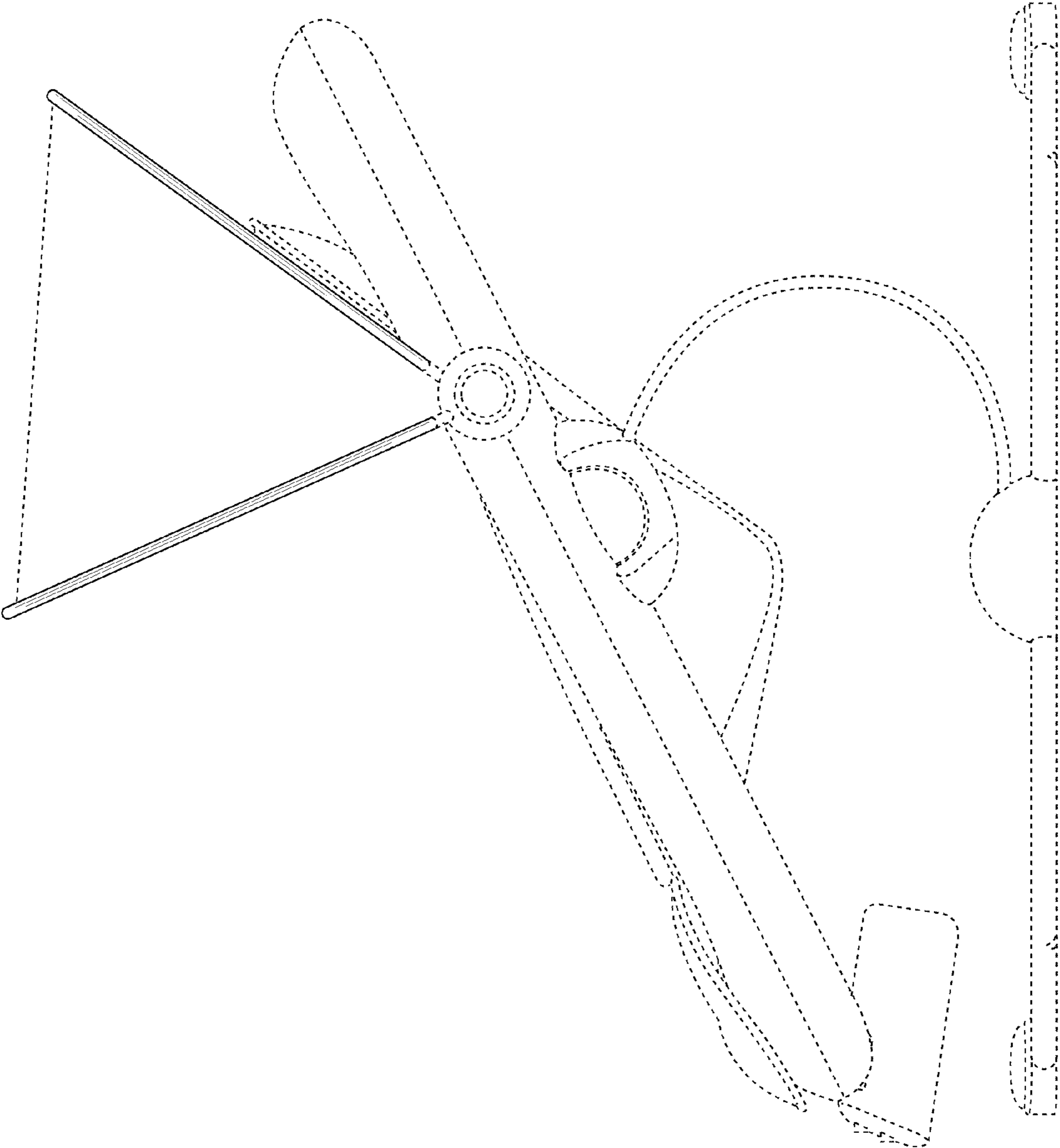


FIG. 5

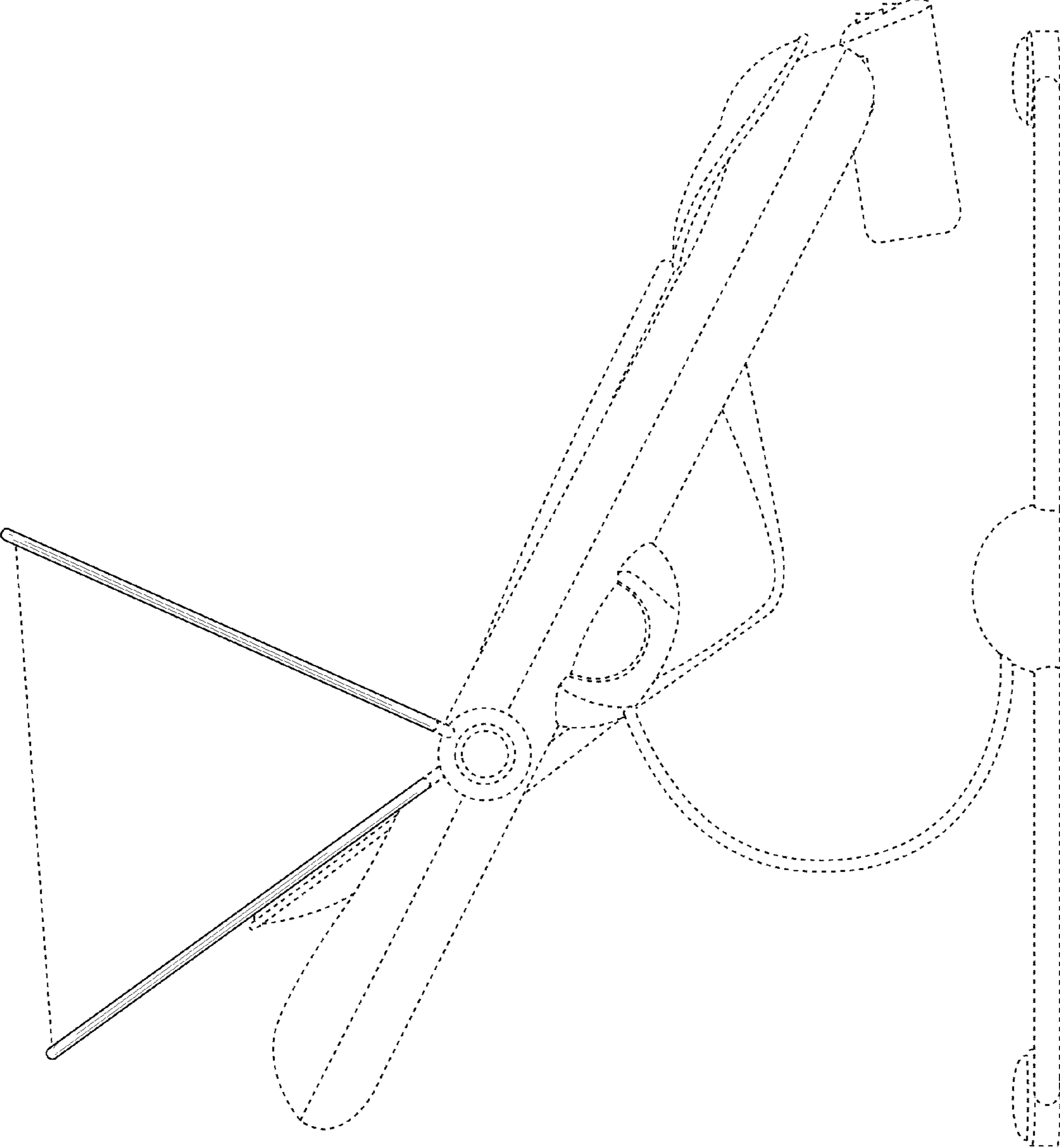
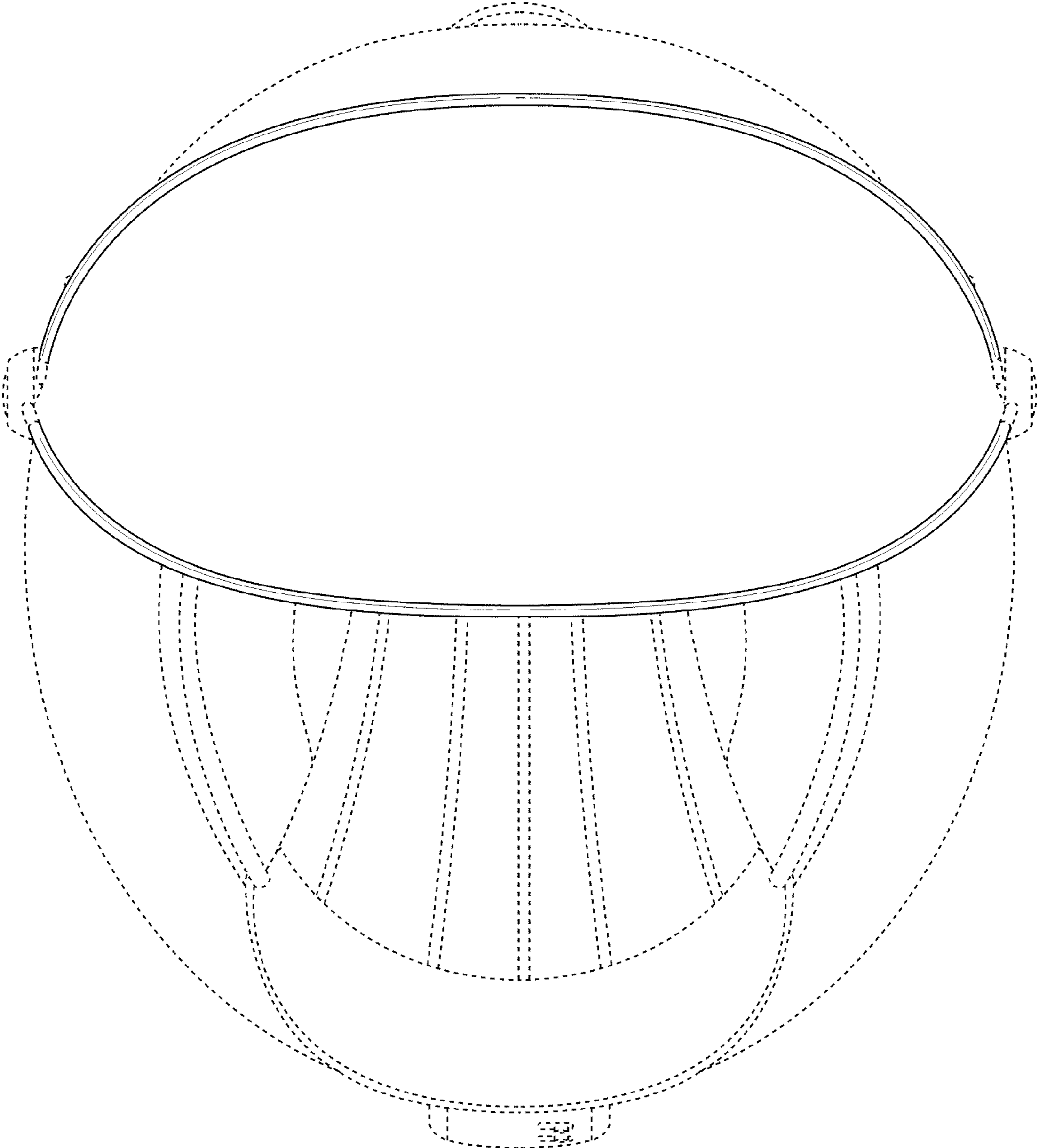
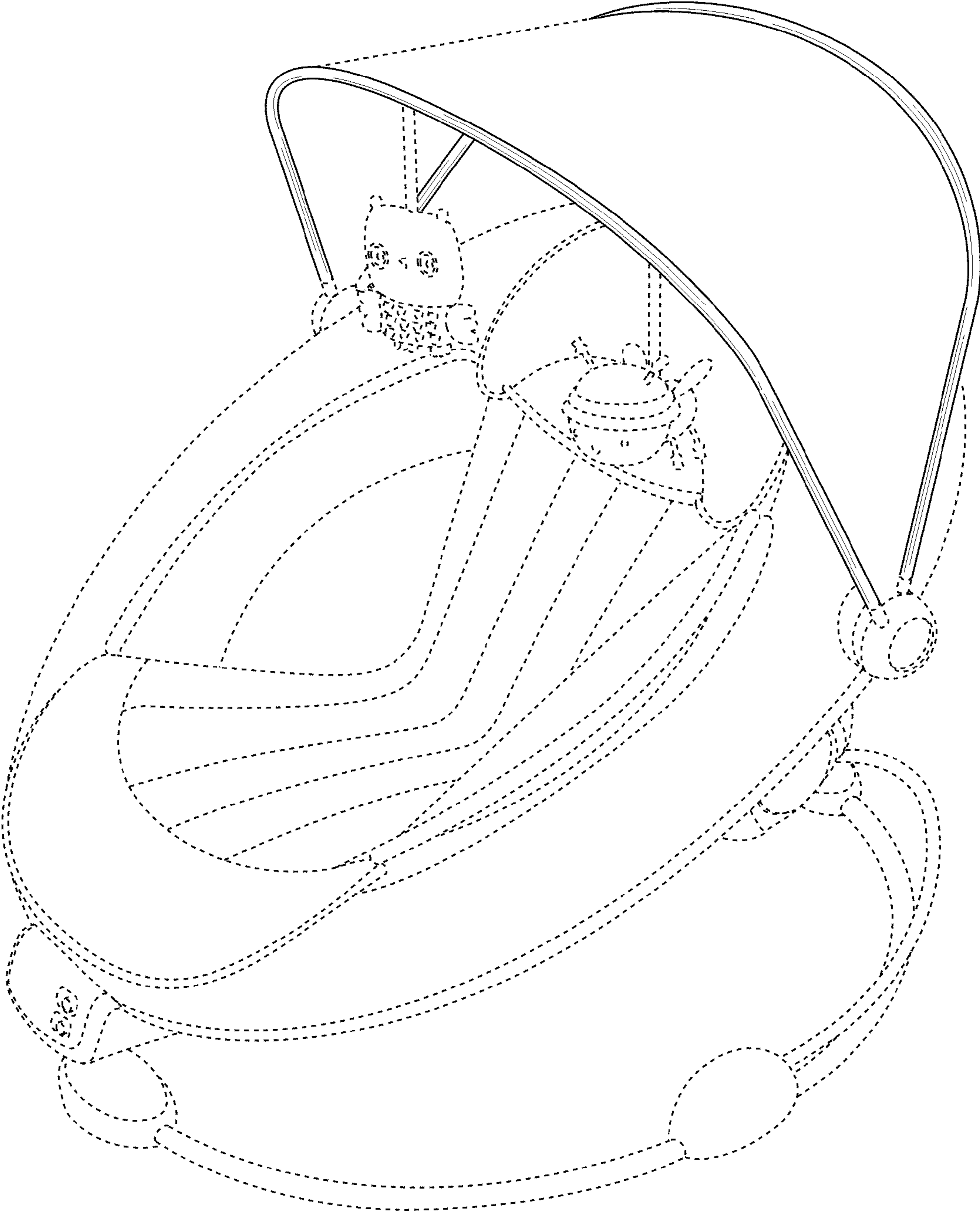


FIG. 6





**FIG. 7**



**FIG. 8**