



US00D650999S

(12) **United States Design Patent**
Hayashida

(10) **Patent No.:** **US D650,999 S**

(45) **Date of Patent:** **** Dec. 27, 2011**

(54) **WALL HANGER FOR MODULAR CAPS**

D404,580 S * 1/1999 Hasler D6/320
D405,276 S * 2/1999 Willett D6/320
D472,058 S * 3/2003 Weichert D6/320

(75) Inventor: **Mami Hayashida**, Tokyo (JP)

* cited by examiner

(73) Assignee: **Route Creative Works Co., Ltd**, Tokyo (JP)

Primary Examiner — Prabhakar Deshmukh

(**) Term: **14 Years**

(74) *Attorney, Agent, or Firm* — Jordan and Hamburg LLP

(21) Appl. No.: **29/328,833**

(57) **CLAIM**

(22) Filed: **Dec. 2, 2008**

The ornamental design for a wall hanger for modular caps, as shown and described.

(30) **Foreign Application Priority Data**

DESCRIPTION

Jun. 2, 2008 (JP) 2008-013939

(51) **LOC (9) Cl.** **06-08**

(52) **U.S. Cl.** **D6/320**

(58) **Field of Classification Search** D6/315,
D6/320, 323, 327, 411, 465, 467, 468, 477,
D6/512, 552, 553, 567, 569, 570, 574; D8/373;
211/30-33; 248/127, 176.1, 235, 247, 309.1,
248/316.233, 317

See application file for complete search history.

FIG. 1 is a front elevational view of a wall hanger for modular caps showing my new design;

FIG. 2 is a rear elevational view thereof;

FIG. 3 is a left side elevational view thereof;

FIG. 4 is a right side elevational view thereof;

FIG. 5 is an enlarged front elevational view of the claimed portion in FIG. 1;

FIG. 6 is an enlarged right side elevational view of FIG. 5;

FIG. 7 is an enlarged sectional view taken along line 7-7 of FIG. 1;

FIG. 8 is an enlarged left side elevational view of FIG. 5;

FIG. 9 is an enlarged top plan view of FIG. 5;

FIG. 10 is an enlarged bottom plan view of FIG. 5;

FIG. 11 is a front elevational view of FIG. 1, shown in its environmental use;

FIG. 12 is an enlarged top plan view of FIG. 11;

FIG. 13 is an enlarged right side elevational view of FIG. 11; and,

FIG. 14 is an enlarged left side elevational view of FIG. 11.

The broken lines environment is for illustrative purpose only and forms no part of the claimed design.

(56) **References Cited**

U.S. PATENT DOCUMENTS

4,583,646 A * 4/1986 Bowman 211/32
D324,960 S * 3/1992 Rodack D6/320
5,096,070 A * 3/1992 Jaynes 211/85.15
5,137,157 A * 8/1992 Lawson 211/32
5,240,123 A * 8/1993 Hawk 211/32
5,480,073 A * 1/1996 LaManna 223/1
D377,123 S * 1/1997 Hutchens D6/323
D392,806 S * 3/1998 Lee D6/320
D393,970 S * 5/1998 Lee D6/514
5,762,206 A * 6/1998 Leichter 211/32

1 Claim, 9 Drawing Sheets

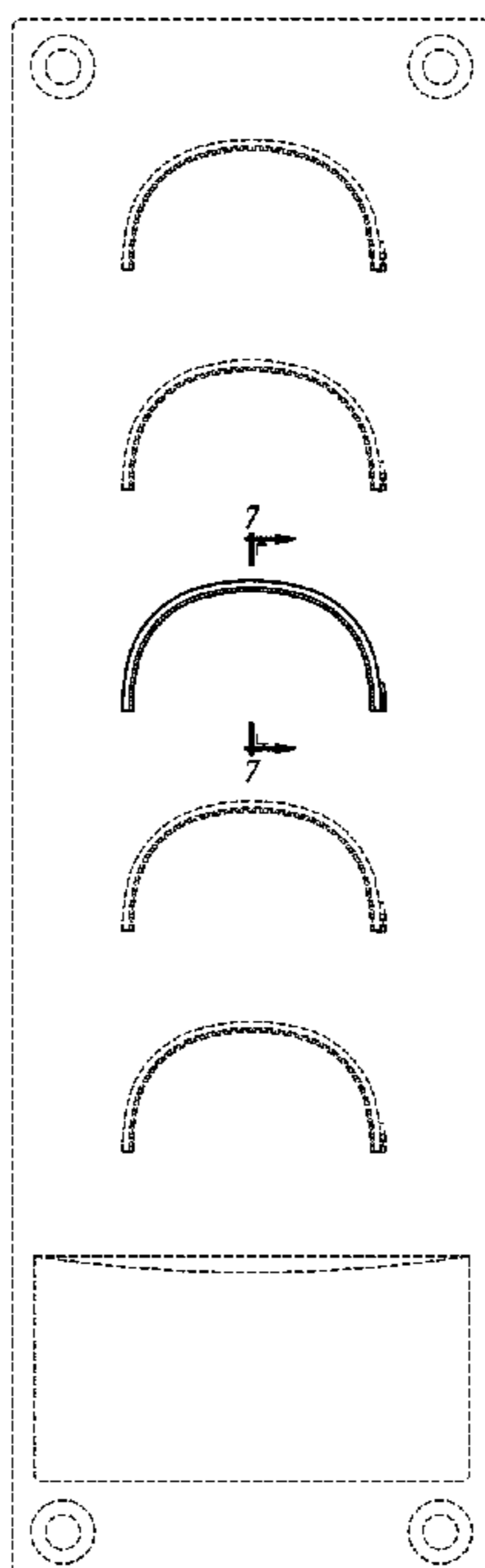


FIG. 1

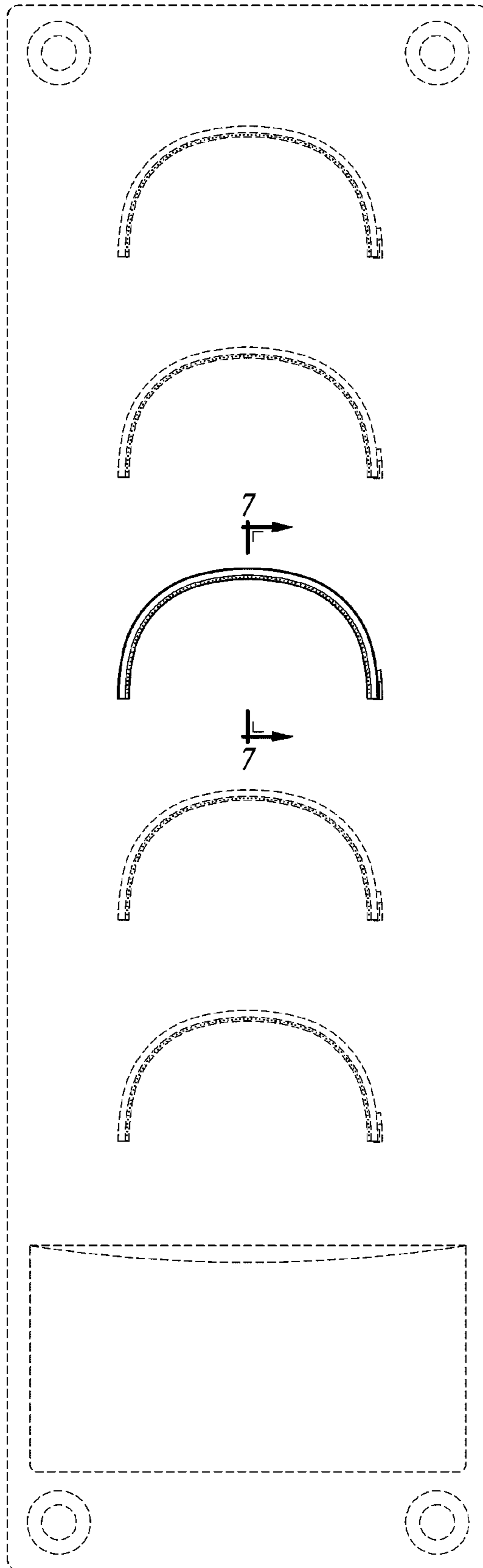


FIG. 2

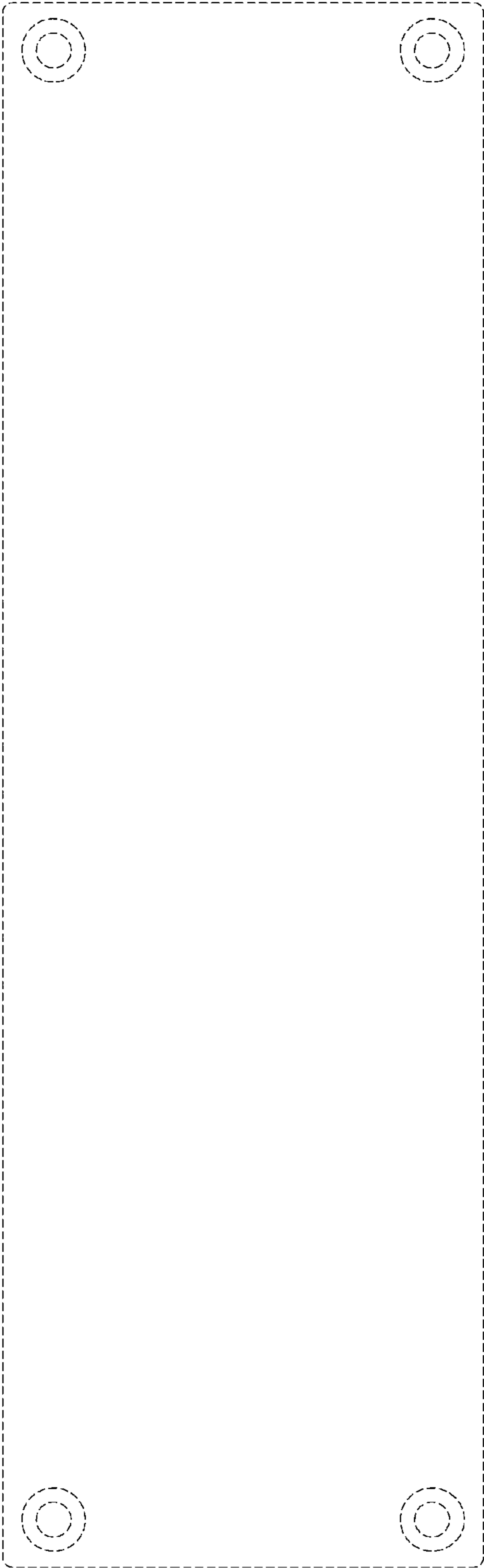


FIG. 3



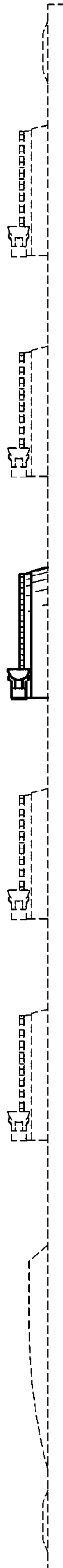


FIG. 4

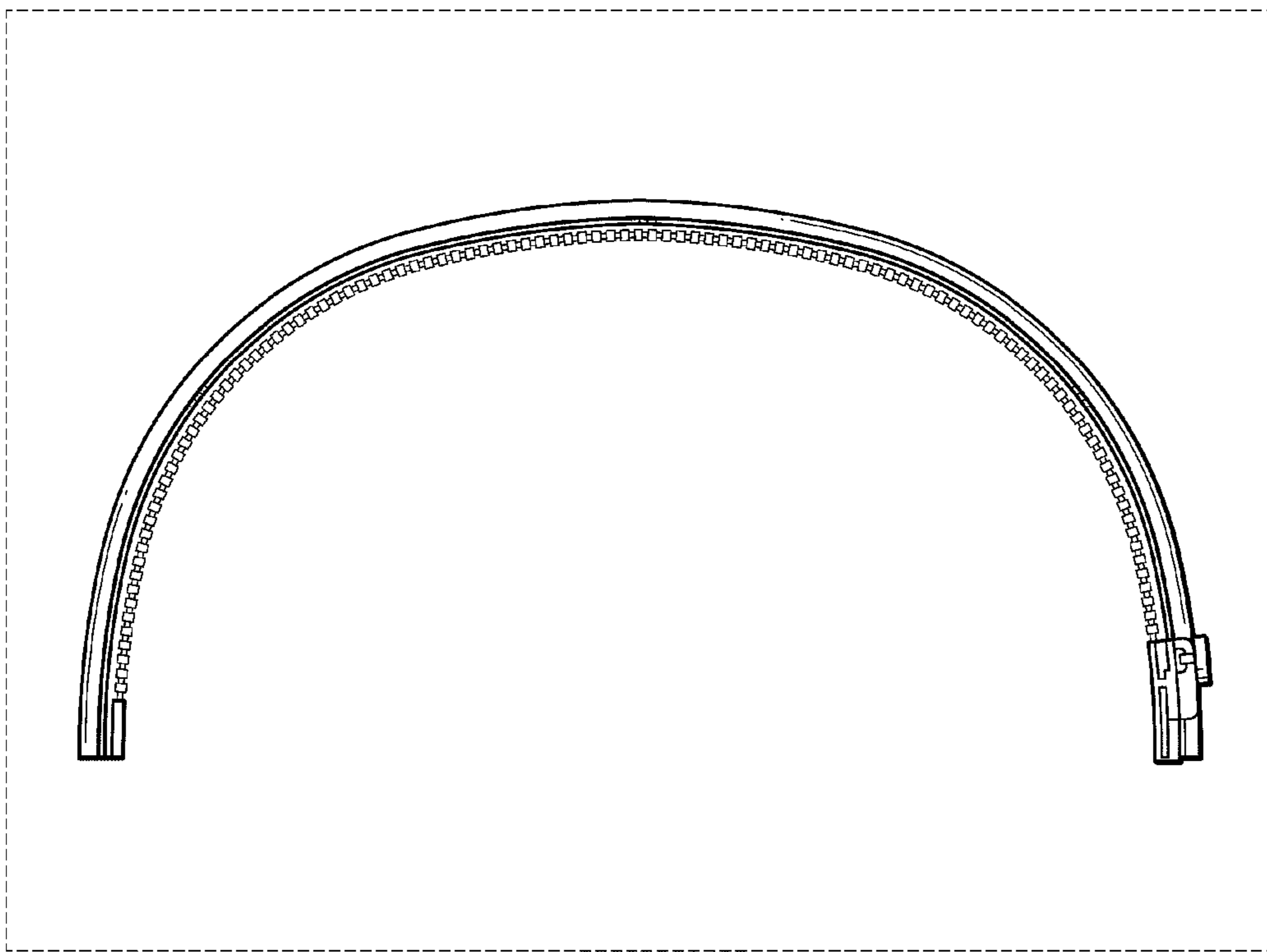


FIG. 5

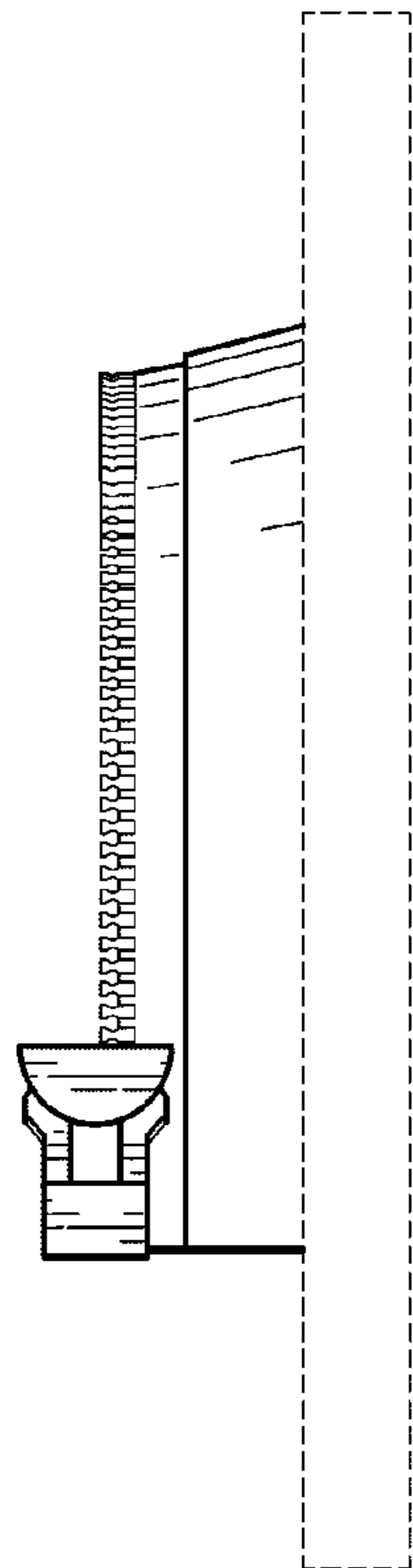


FIG. 6

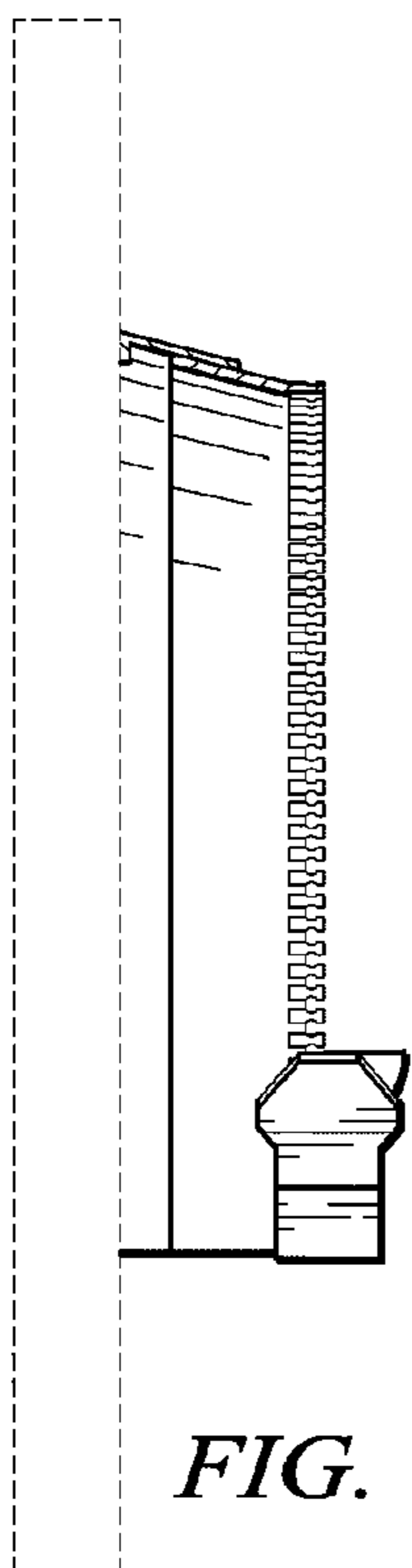


FIG. 7

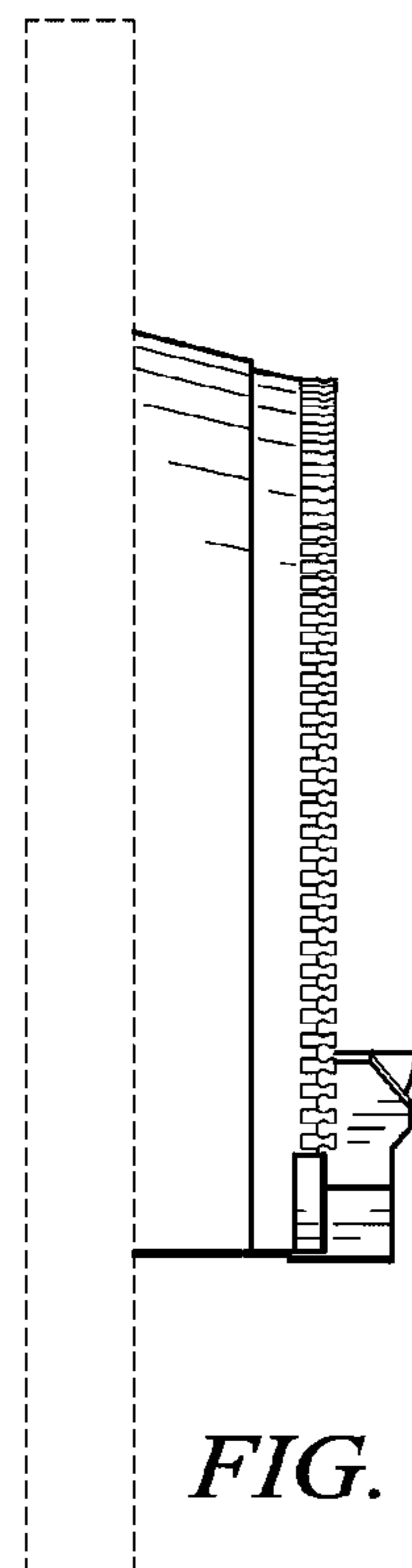


FIG. 8

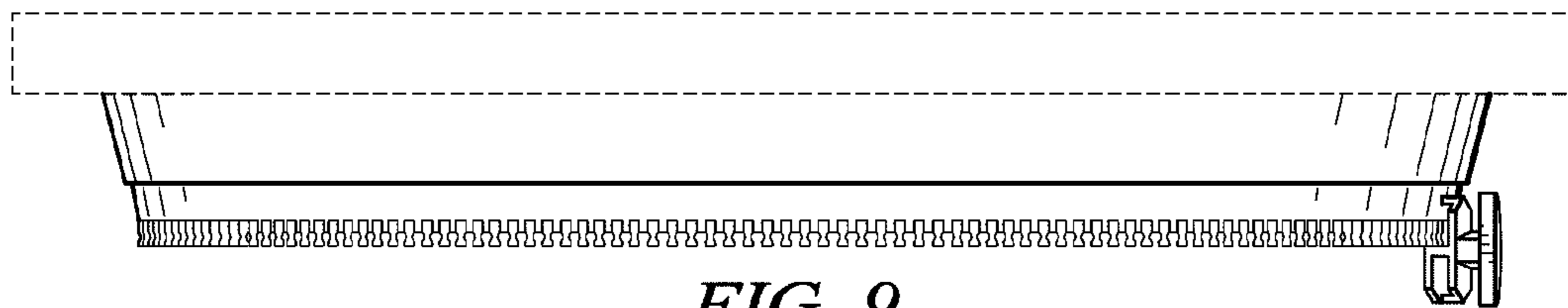


FIG. 9

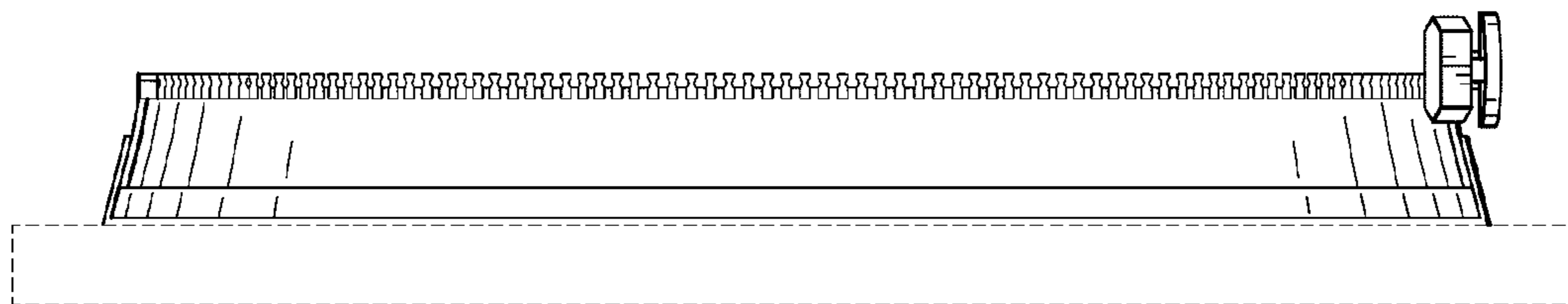


FIG. 10

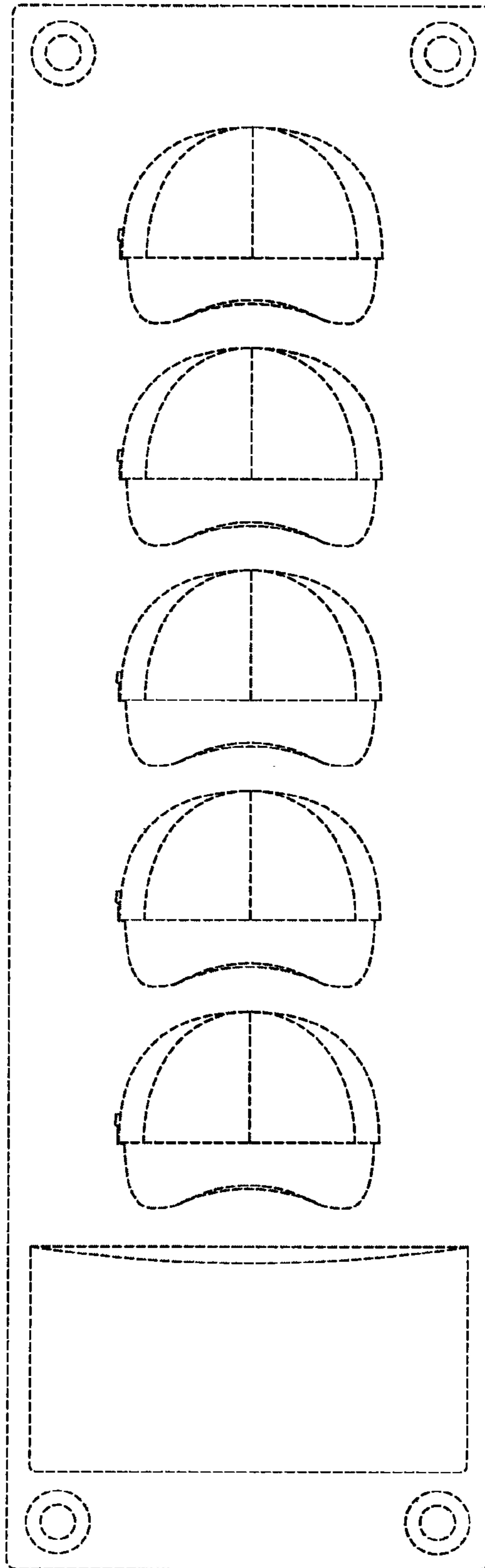


FIG. 11

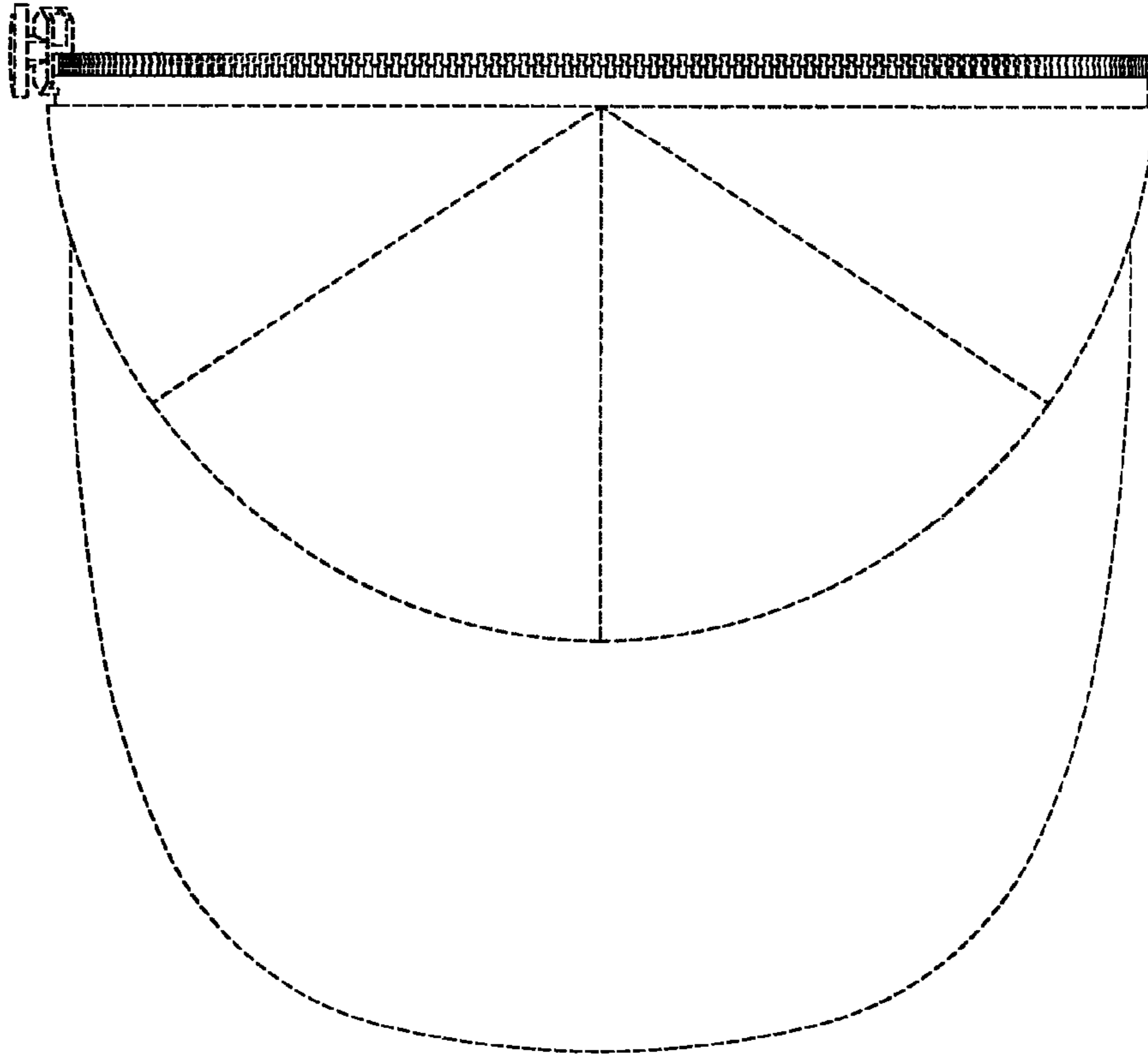


FIG. 12

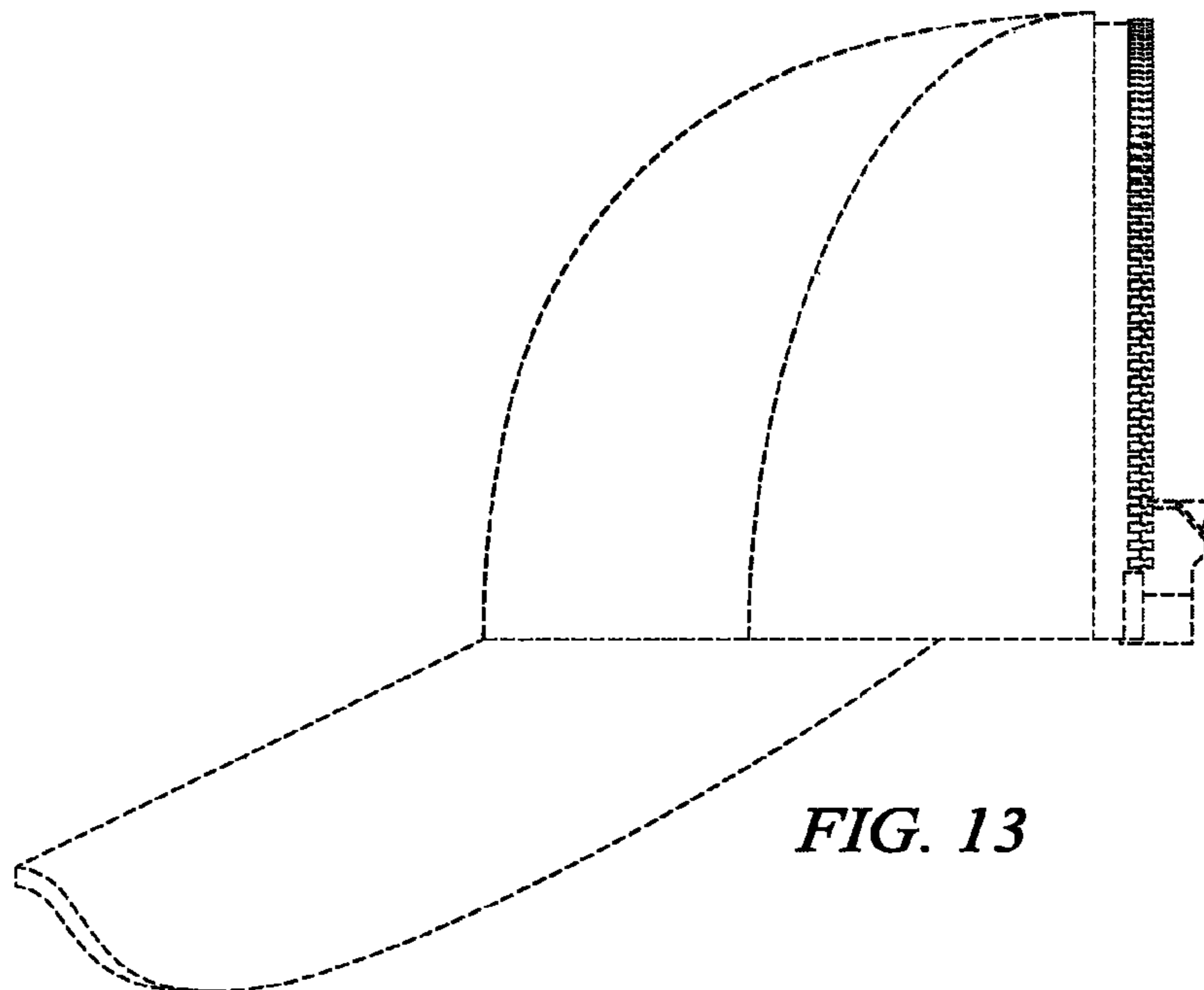


FIG. 13

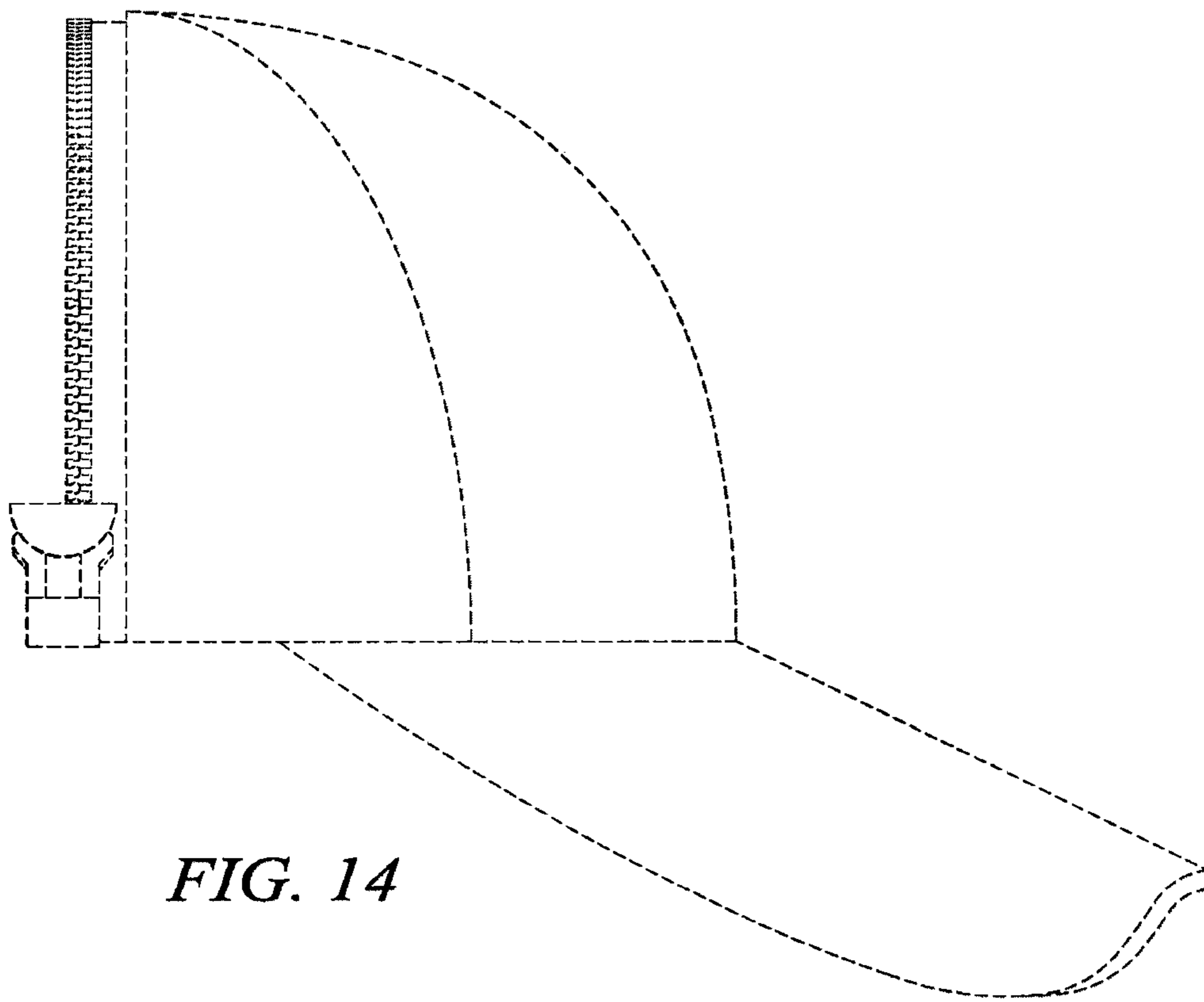


FIG. 14