



US00D650998S

(12) **United States Design Patent**
Hayashida

(10) **Patent No.:** **US D650,998 S**

(45) **Date of Patent:** **** Dec. 27, 2011**

(54) **WALL HANGER FOR MODULAR CAPS**

(74) *Attorney, Agent, or Firm* — Jordan and Hamburg LLP

(75) Inventor: **Mami Hayashida**, Tokyo (JP)

(73) Assignee: **Route Creative Works Co., Ltd**, Tokyo (JP)

(57) **CLAIM**

The ornamental design for a wall hanger for modular caps, as shown and described.

(**) Term: **14 Years**

(21) Appl. No.: **29/328,831**

(22) Filed: **Dec. 2, 2008**

DESCRIPTION

(30) **Foreign Application Priority Data**

Jun. 2, 2008 (JP) 2008-013938

(51) **LOC (9) Cl.** **06-08**

(52) **U.S. Cl.** **D6/320**

(58) **Field of Classification Search** D6/315,
D6/320, 323, 327, 411, 465, 467, 468, 477,
D6/512, 552, 553, 567, 569, 570, 574; D8/373;
211/30-33; 248/127, 176.1, 235, 247, 309.1,
248/316.233, 317

See application file for complete search history.

(56) **References Cited**

U.S. PATENT DOCUMENTS

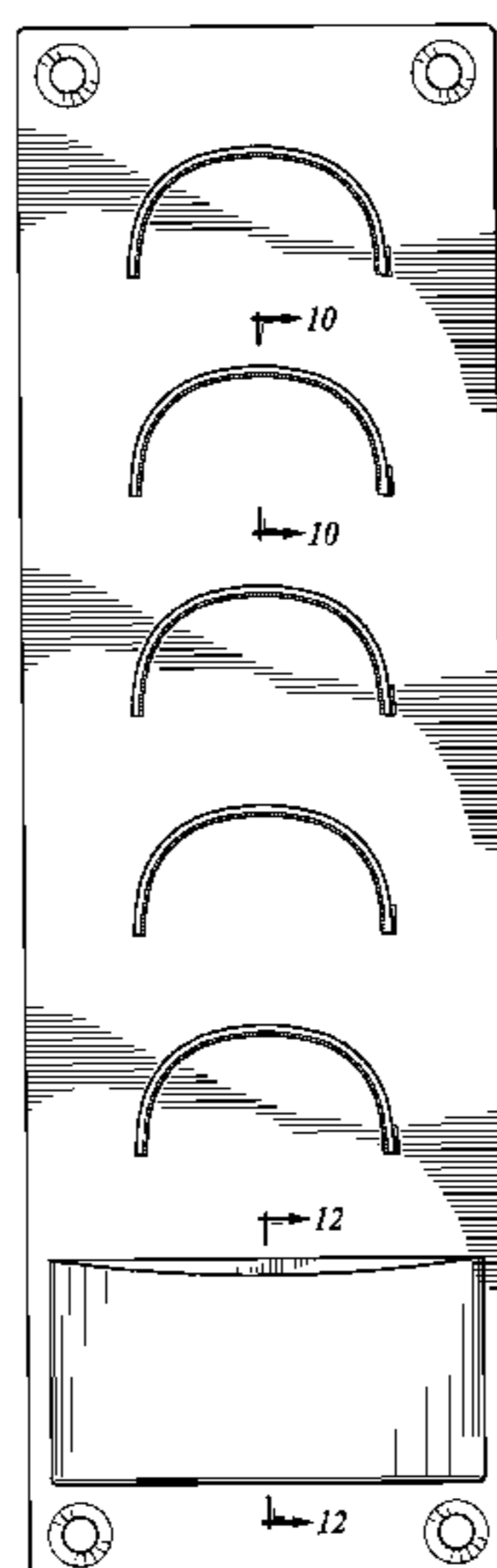
4,583,646	A *	4/1986	Bowman	211/32
D324,960	S *	3/1992	Rodack	D6/320
5,096,070	A *	3/1992	Jaynes	211/85.15
5,137,157	A *	8/1992	Lawson	211/32
5,240,123	A *	8/1993	Hawk	211/32
5,480,073	A *	1/1996	LaManna	223/1
D377,123	S *	1/1997	Hutchens	D6/323
D392,806	S *	3/1998	Lee	D6/320
D393,970	S *	5/1998	Lee	D6/514
5,762,206	A *	6/1998	Leichter	211/32
D404,580	S *	1/1999	Hasler	D6/320
D405,276	S *	2/1999	Willett	D6/320
D472,058	S *	3/2003	Weichert	D6/320

* cited by examiner

FIG. 1 is a front elevational view of a wall hanger for modular caps showing my new design;
 FIG. 2 is a rear elevational view thereof;
 FIG. 3 is a left side elevational view thereof;
 FIG. 4 is a right side elevational view thereof;
 FIG. 5 is a top plan view thereof;
 FIG. 6 is a bottom plan view thereof;
 FIG. 7 is an enlarged front elevational view of one of the individual slide hangers of the wall hanger for modular caps in FIG. 1;
 FIG. 8 is an enlarged top view of FIG. 7;
 FIG. 9 is an enlarged right side elevational view of FIG. 7;
 FIG. 10 is an enlarged sectional view thereof, taken along line 10-10 of FIG. 1;
 FIG. 11 is an enlarged left side elevational view of FIG. 7;
 FIG. 12 is an enlarged sectional view thereof, taken along line 12-12 of FIG. 1;
 FIG. 13 is an enlarged bottom plan view of FIG. 7;
 FIG. 14 is a front elevational view of FIG. 1, shown in its environmental use;
 FIG. 15 is a top plan view of one of the modular caps in FIG. 14;
 FIG. 16 is an enlarged right side elevational view of FIG. 15;
 and,
 FIG. 17 is an enlarged left side elevational view of FIG. 15.
 The broken lines environment is for illustrative purpose only and forms no part of the claimed design.

Primary Examiner — Prabhakar Deshmukh

1 Claim, 9 Drawing Sheets



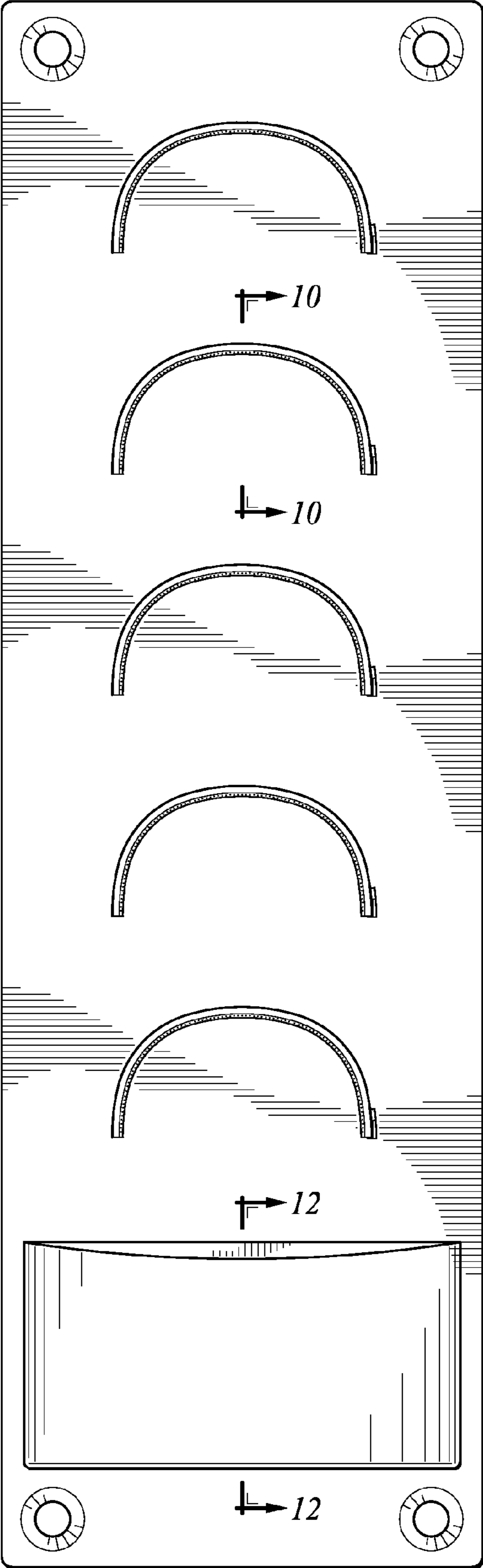


FIG. 1

FIG. 2

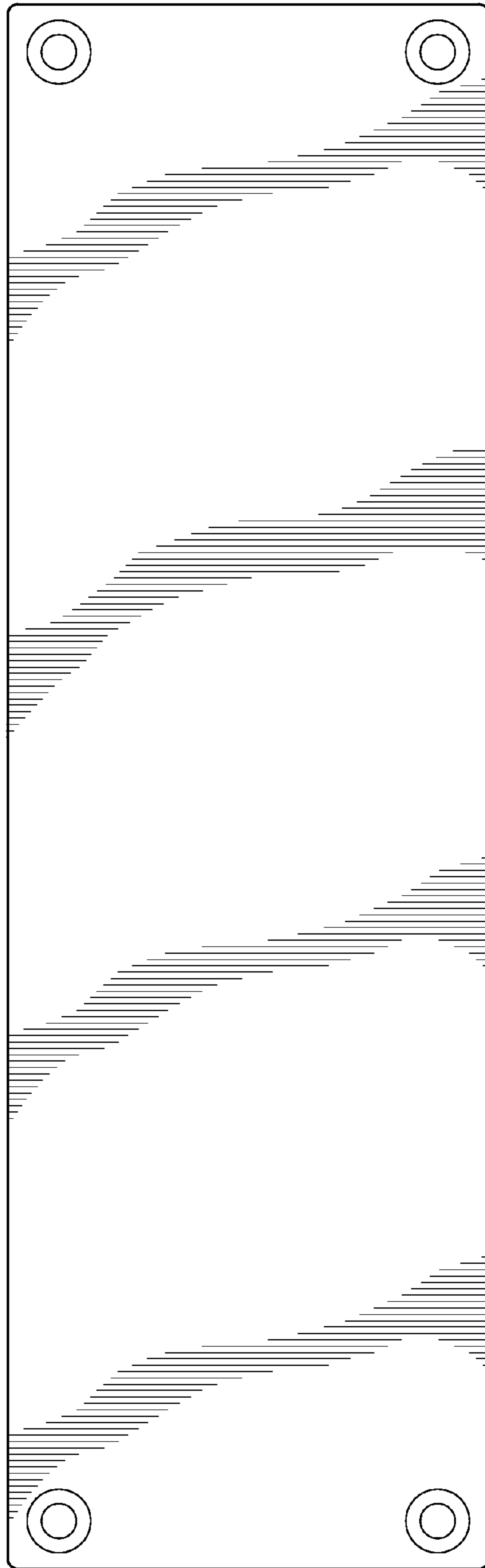
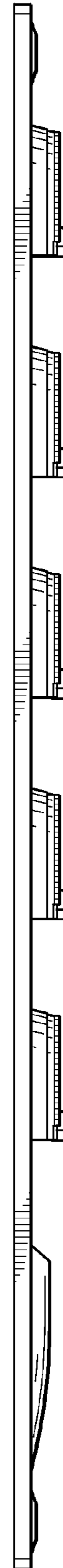


FIG. 3



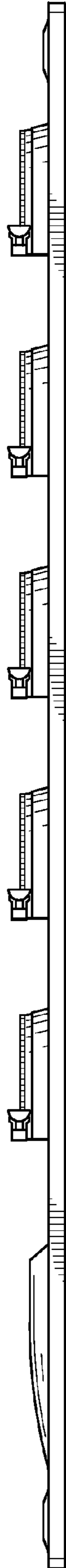


FIG. 4

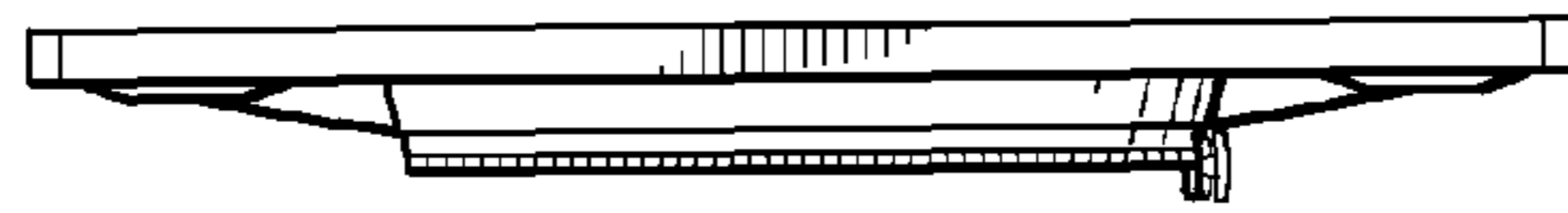


FIG. 5

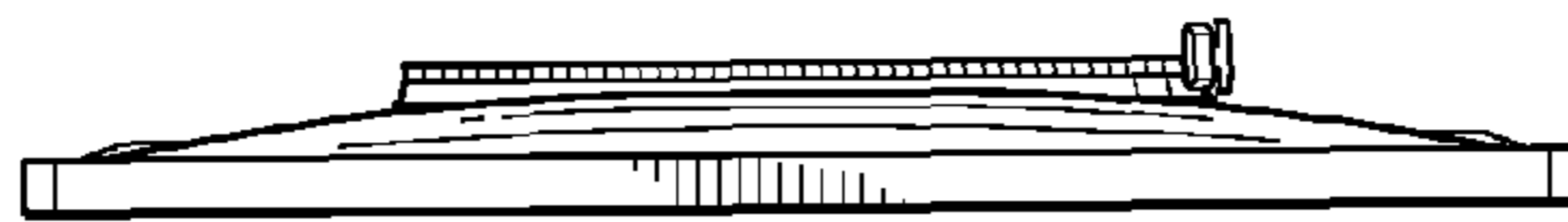


FIG. 6

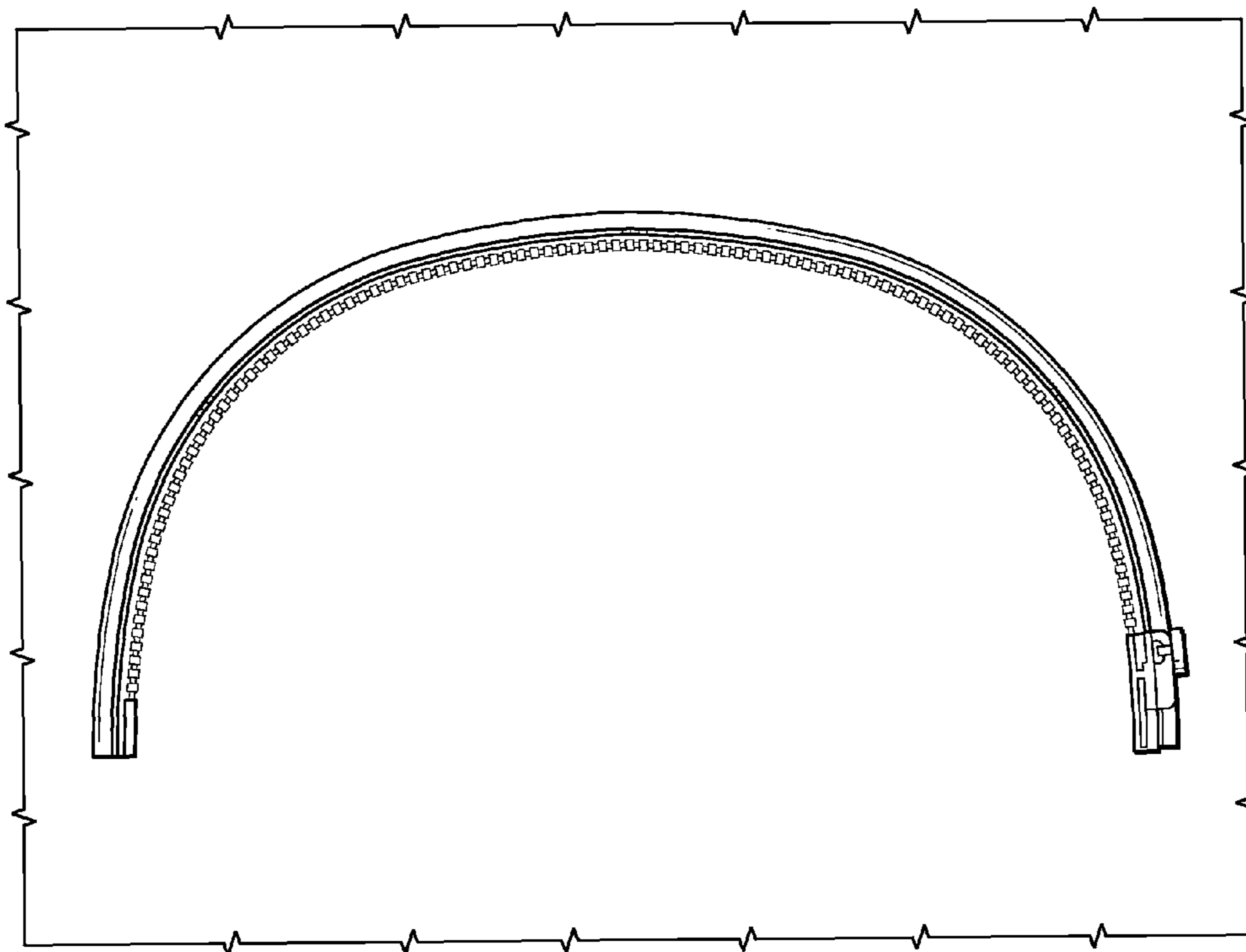


FIG. 7

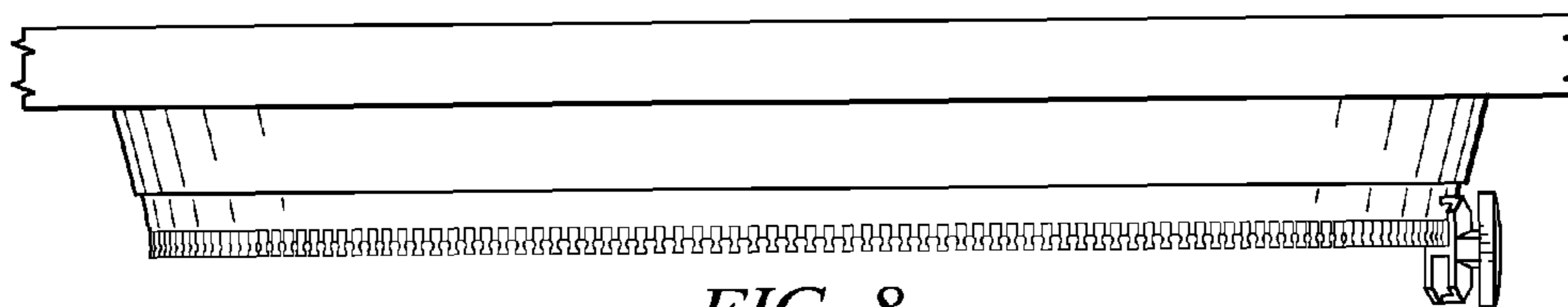


FIG. 8

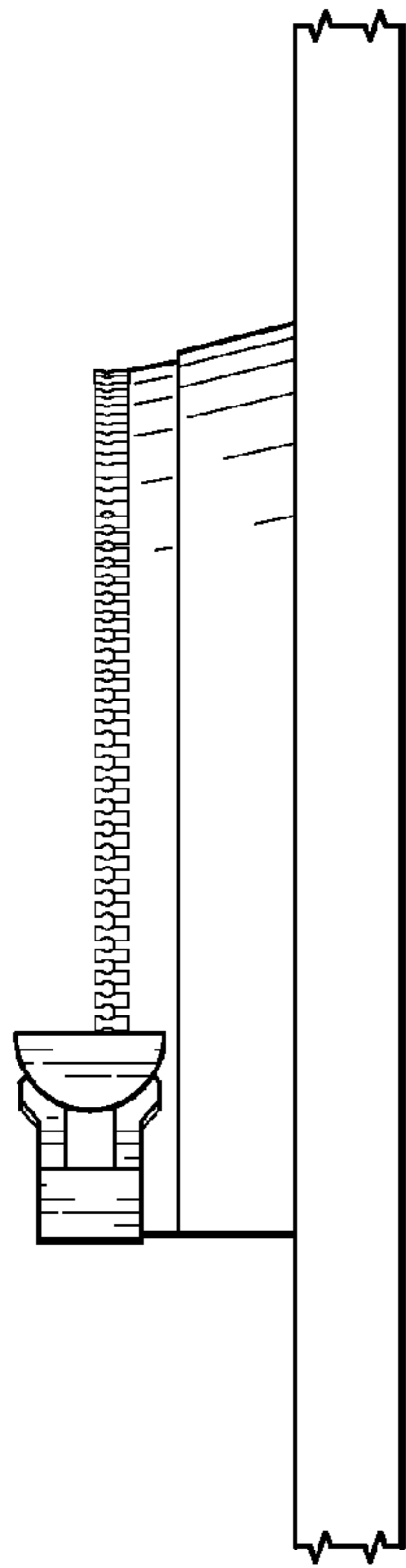


FIG. 9

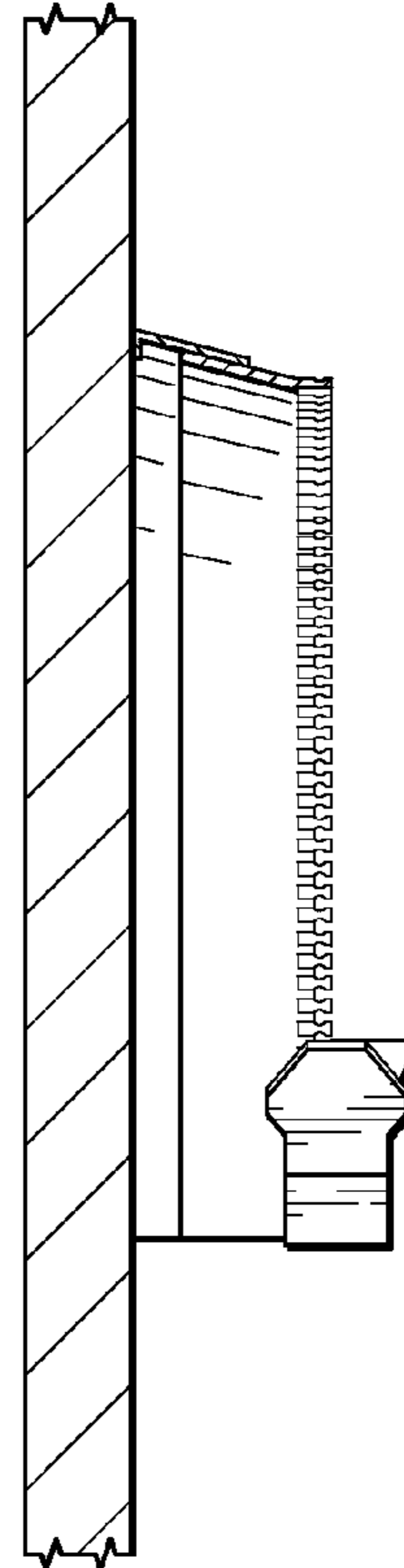


FIG. 10

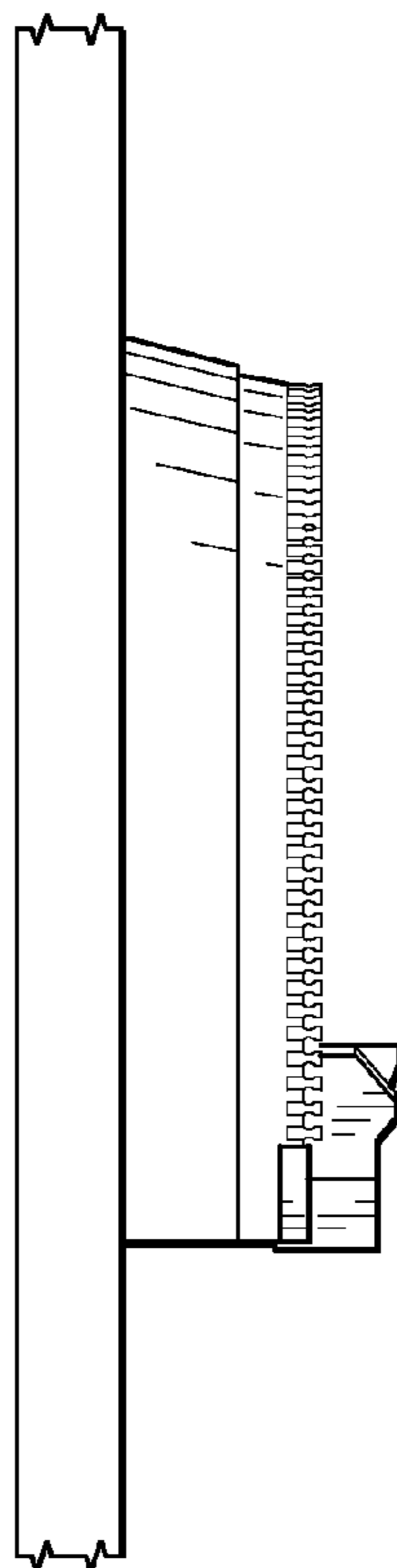


FIG. 11

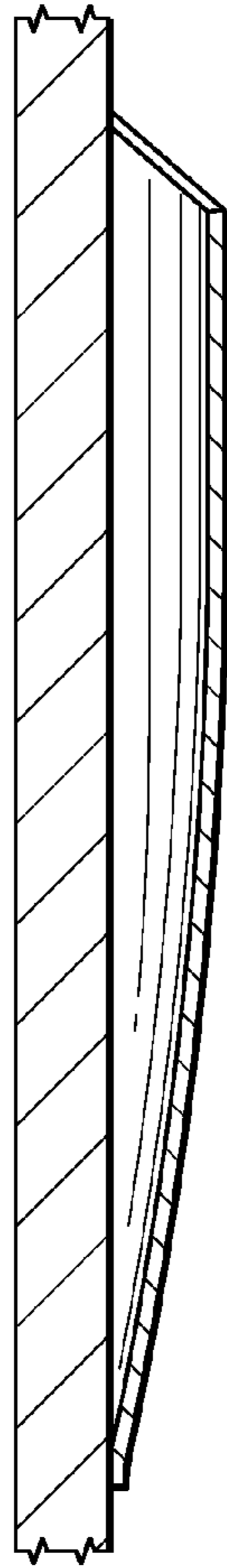


FIG. 12

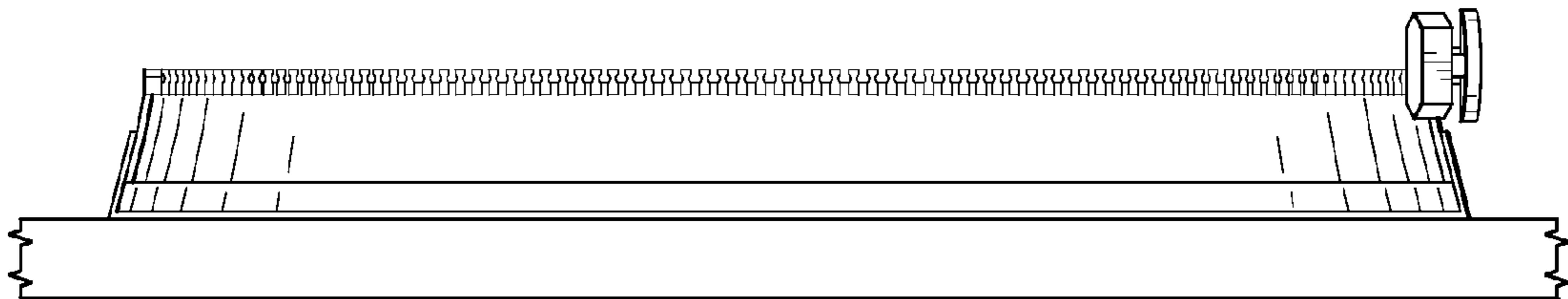


FIG. 13

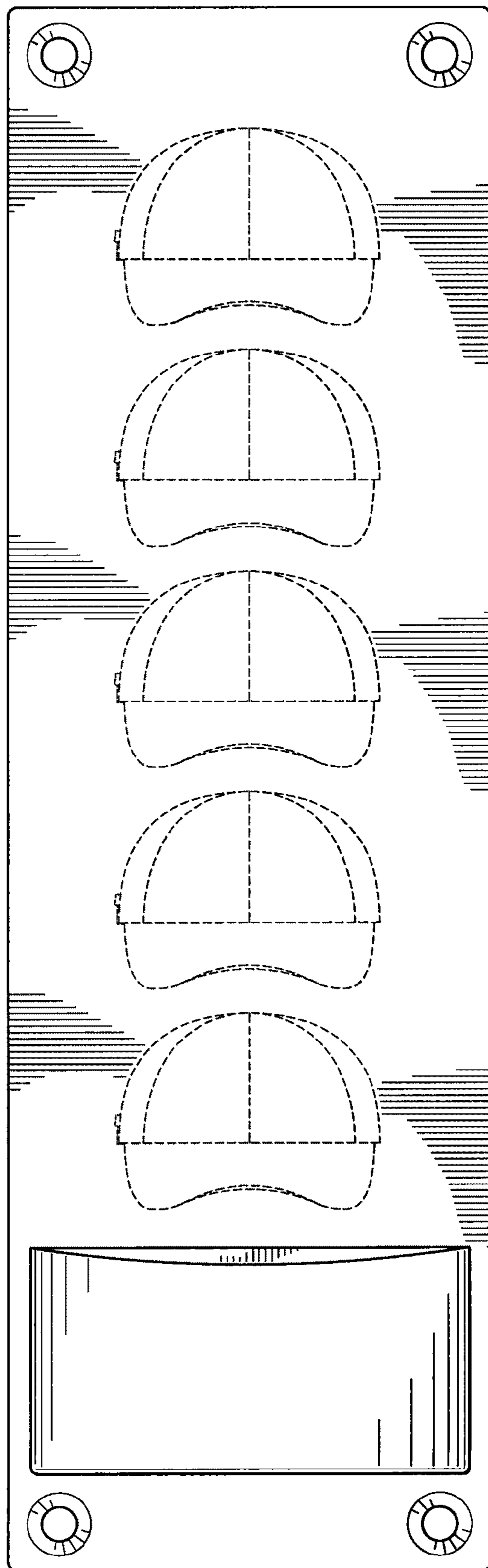


FIG. 14

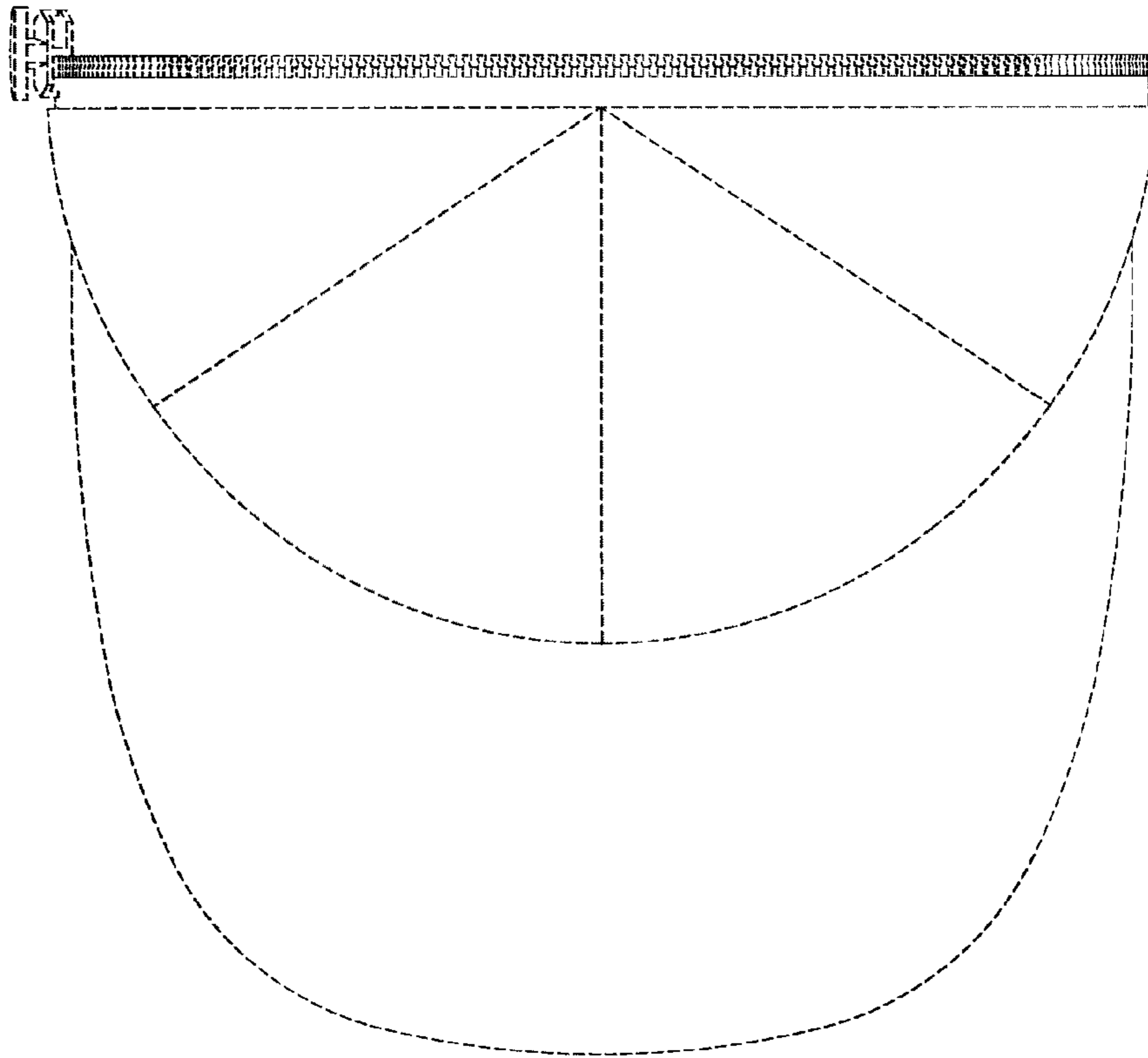


FIG. 15

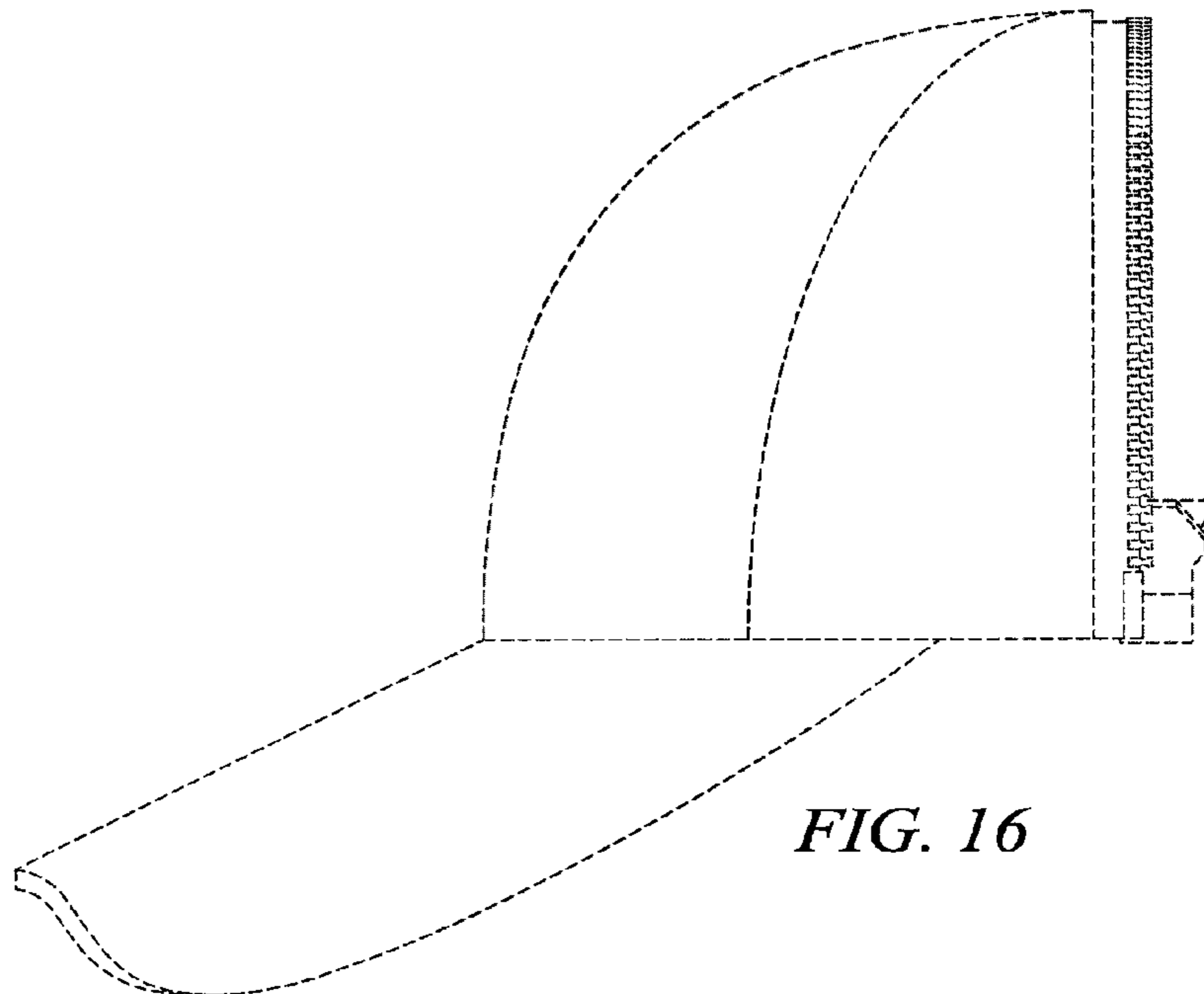


FIG. 16

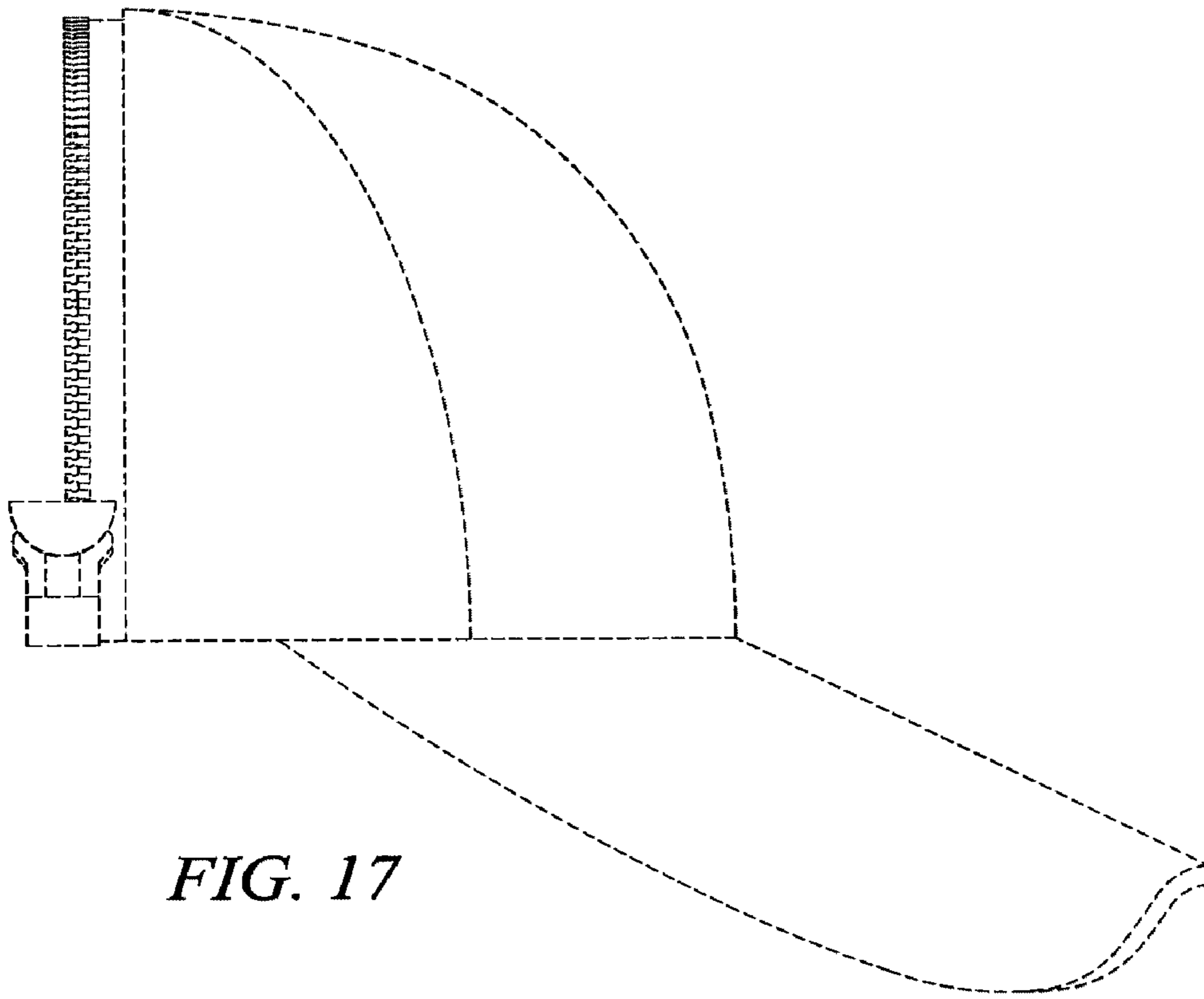


FIG. 17