



US00D650988S

(12) **United States Design Patent**  
**Borghi**

(10) **Patent No.:** **US D650,988 S**

(45) **Date of Patent:** **\*\* Dec. 27, 2011**

(54) **HANDBAG**

(75) **Inventor:** **Leonello Borghi**, New York, NY (US)

(73) **Assignee:** **Lancel International S.A.**,  
Villars-Sur-Glane (CH)

(\*\*) **Term:** **14 Years**

(21) **Appl. No.:** **29/378,777**

(22) **Filed:** **Nov. 9, 2010**

(30) **Foreign Application Priority Data**

May 10, 2010 (WO) ..... DM/073 738

(51) **LOC (9) Cl.** ..... **03-01**

(52) **U.S. Cl.** ..... **D3/245**

(58) **Field of Classification Search** ..... D3/232–233,  
D3/240–246; 150/100, 103–110, 118, 119

See application file for complete search history.

(56) **References Cited**

U.S. PATENT DOCUMENTS

D281,201 S *	11/1985	Schimmel	.....	D3/244
D579,657 S *	11/2008	Hermann	.....	D3/246
D609,903 S *	2/2010	Brinegar	.....	D3/232
D624,751 S *	10/2010	McLeod	.....	D3/244

\* cited by examiner

*Primary Examiner* — Holly Baynham

(74) *Attorney, Agent, or Firm* — The Nath Law Group;  
Derek Richmond

(57) **CLAIM**

The ornamental design for a handbag, as shown and described.

**DESCRIPTION**

FIG. 1 is a perspective view of a handbag;  
FIG. 2 is a front view of the handbag;  
FIG. 3 is a rear view of the handbag;  
FIG. 4 is a left side view of the handbag;  
FIG. 5 is a right side view of the handbag;  
FIG. 6 is a top view of the handbag; and,  
FIG. 7 is a bottom view of the handbag.  
The broken lines representing stitching are part of the claimed design.

**1 Claim, 7 Drawing Sheets**

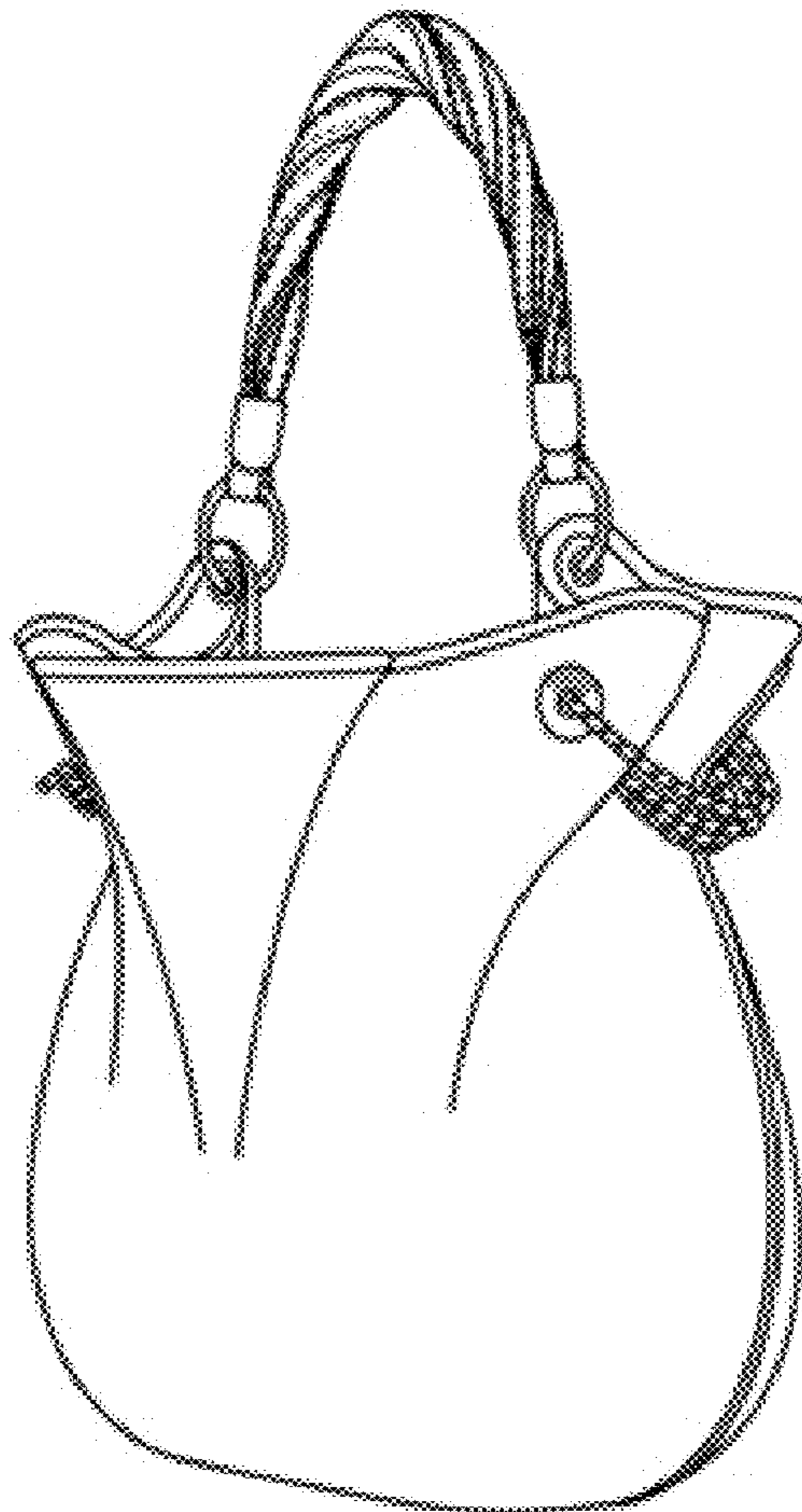


FIG. 1





FIG. 2

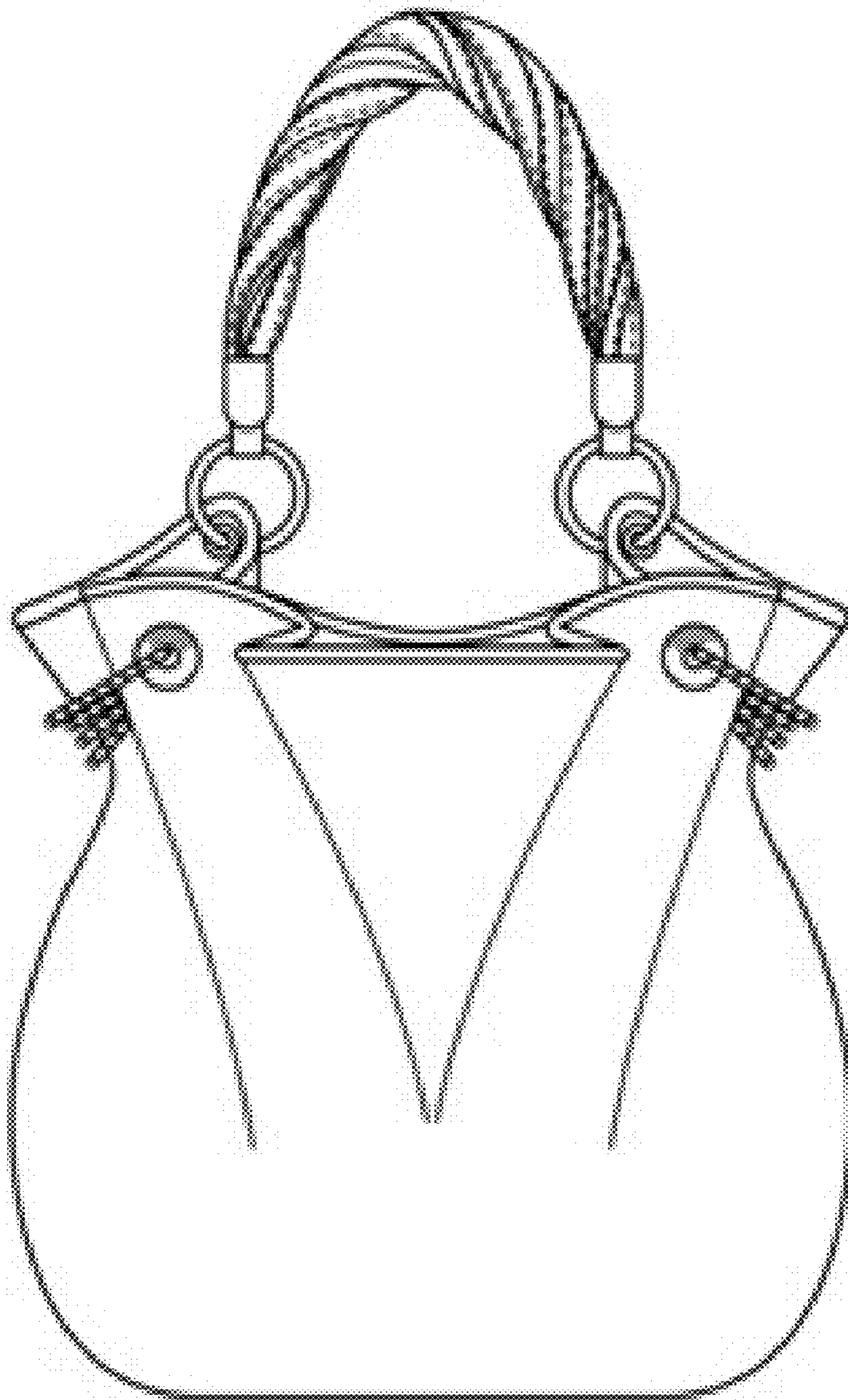


FIG. 3



FIG. 4

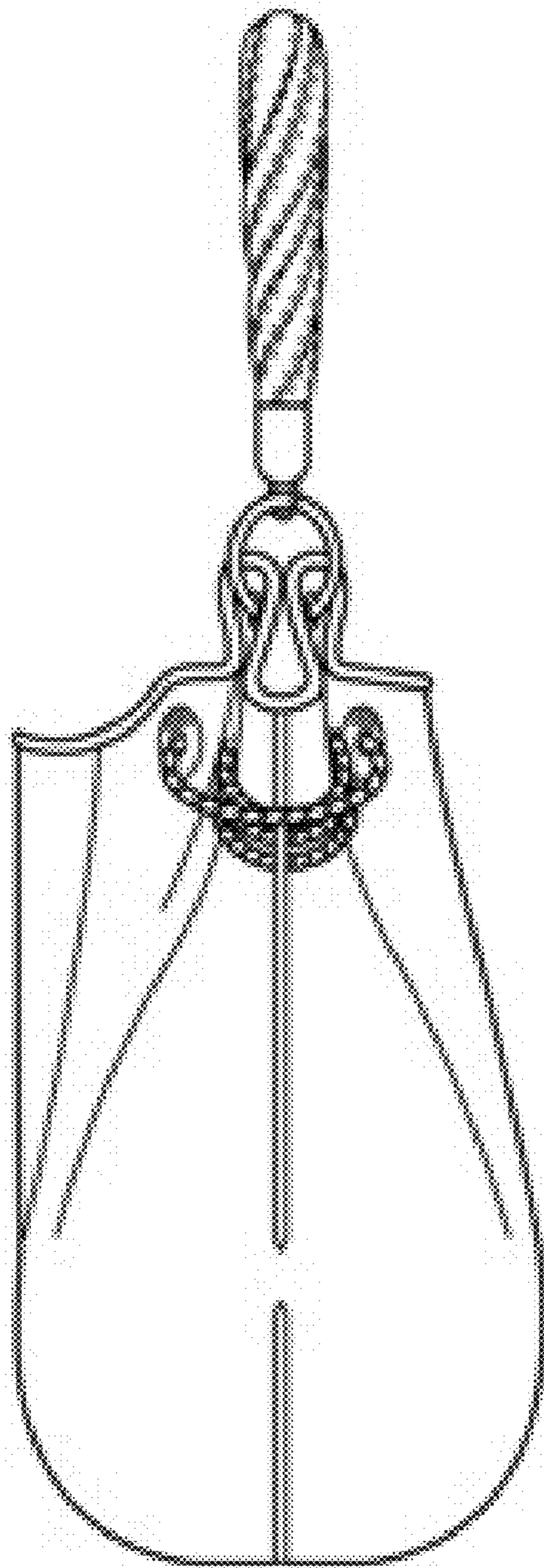




FIG. 5

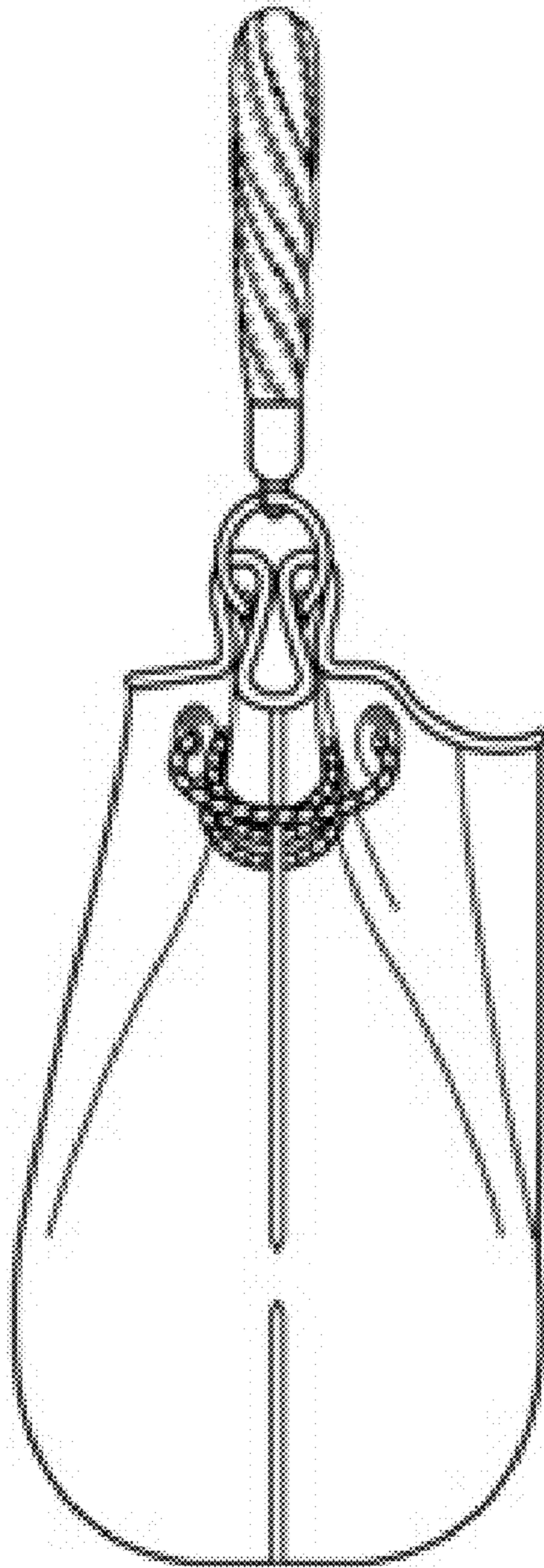


FIG. 6

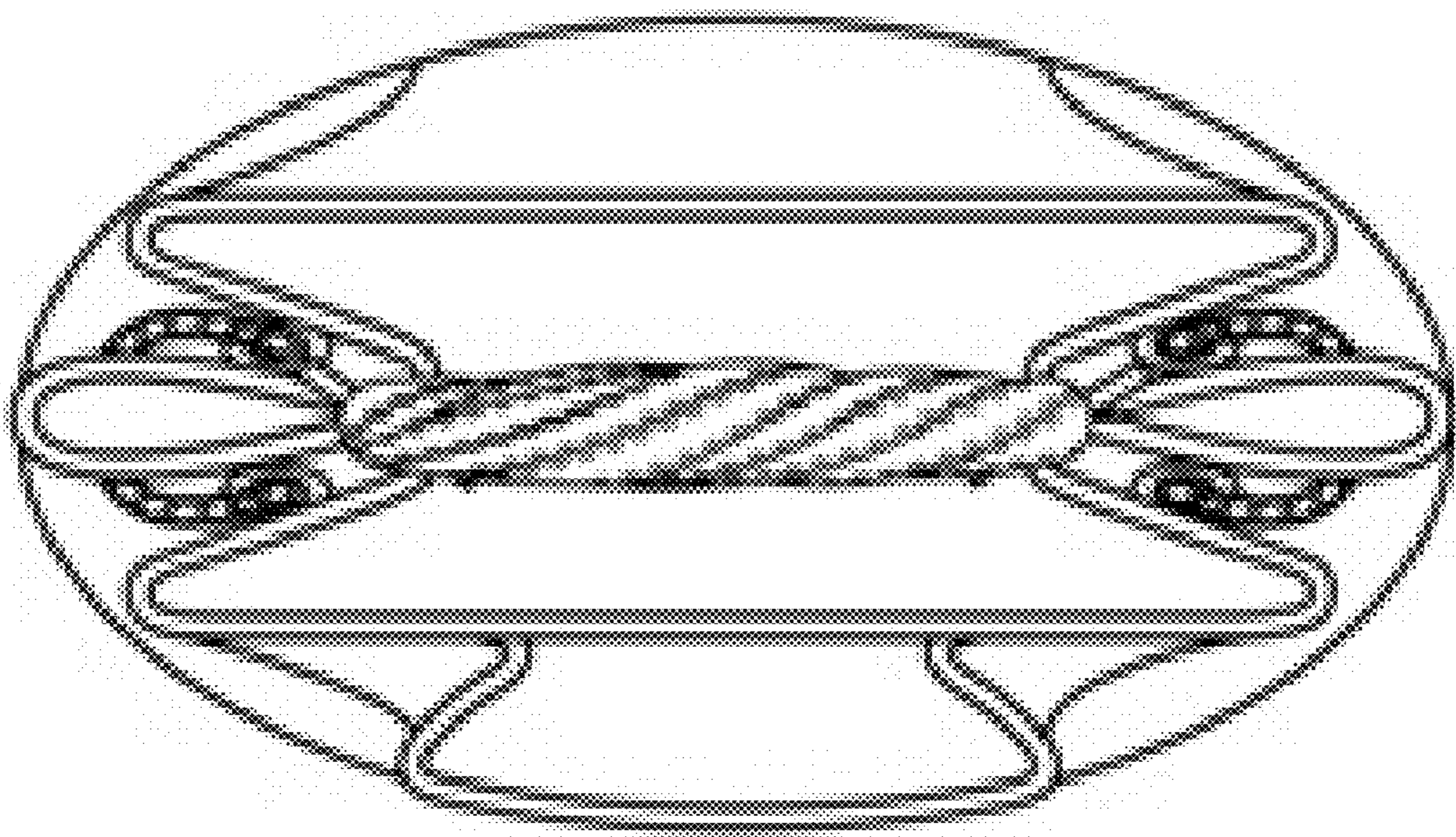


FIG. 7

