



US00D650986S

(12) **United States Design Patent**
Brady et al.

(10) **Patent No.:** **US D650,986 S**
(45) **Date of Patent:** **** Dec. 27, 2011**

(54) **MEDICATION STORAGE AND DELIVERY DEVICE**

DESCRIPTION

(75) Inventors: **Robert Brady**, Sarasota, FL (US); **Erik Holmen**, Sarasota, FL (US); **Joel Chartier**, Bradenton, FL (US)

(73) Assignee: **Daya Medicals, Inc.**, Boca Raton, FL (US)

(**) Term: **14 Years**

(21) Appl. No.: **29/380,281**

(22) Filed: **Dec. 2, 2010**

(51) **LOC (9) Cl.** **03-01**

(52) **U.S. Cl.** **D3/203.1**

(58) **Field of Classification Search** D3/203.1–203.8,
D3/201, 205, 294, 272–273, 276, 905, 281–282;
206/530–538; D9/415, 424, 428, 730
See application file for complete search history.

(56) **References Cited**

U.S. PATENT DOCUMENTS

D357,067 S *	4/1995	Laun	D24/137
D481,532 S *	11/2003	Sayers et al.	D3/203.1
D550,210 S *	9/2007	Polany et al.	D3/294
D562,545 S *	2/2008	Dawson	D3/203.1
D578,386 S *	10/2008	Silvenis et al.	D9/424

* cited by examiner

Primary Examiner — Catheri Oliver

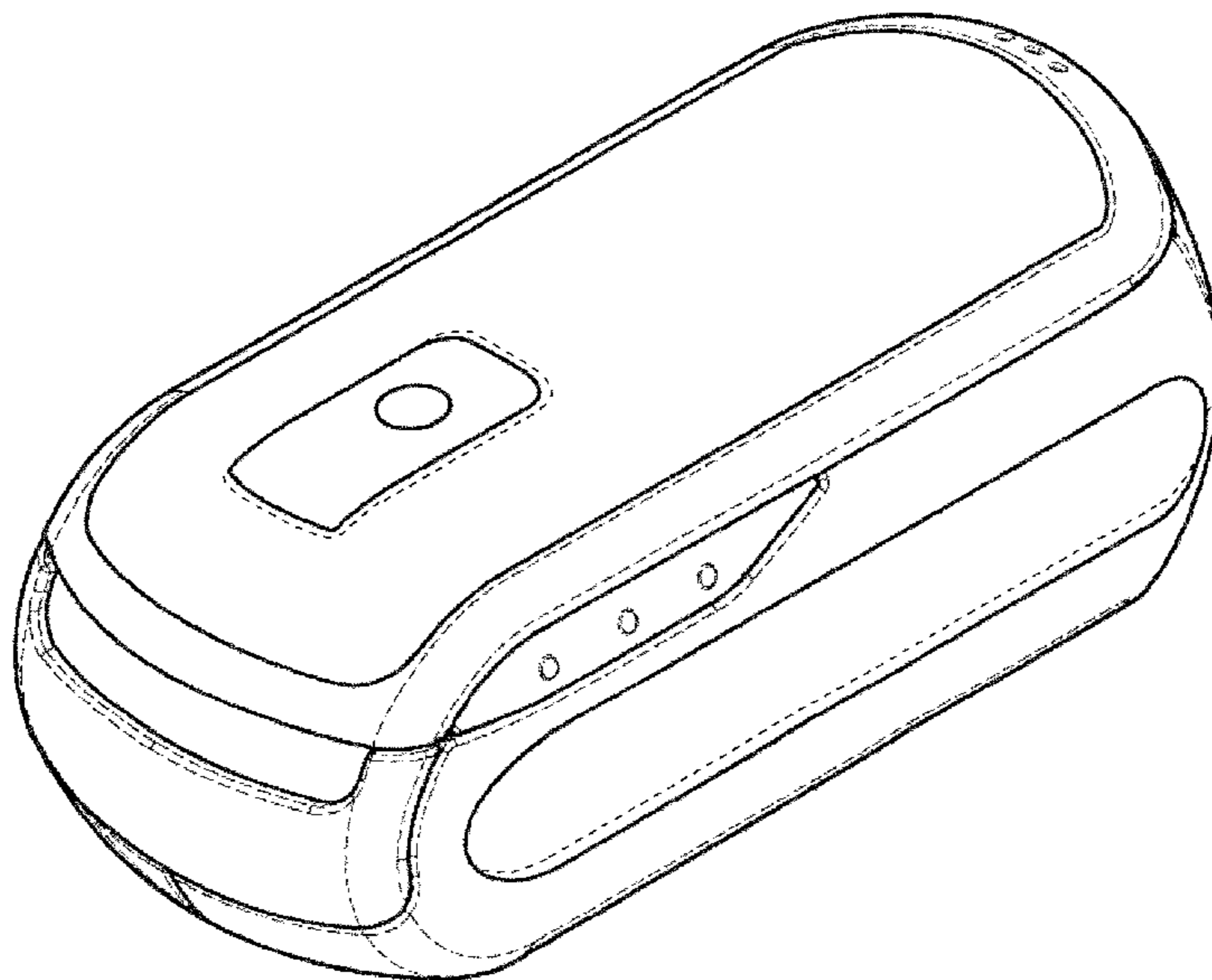
(74) *Attorney, Agent, or Firm* — Saliwanchik, Lloyd & Eisenschenk

(57) **CLAIM**

The ornamental design for the medication storage and delivery device, as shown and described.

FIG. 1 is a front perspective view of a medication storage and delivery device.
 FIG. 2 is a front perspective view of the medication storage and deliver device, shown without dashed lines.
 FIG. 3 is a rear perspective view of the medication storage and delivery device.
 FIG. 4 is a rear perspective view of the medication storage and delivery device, shown without dashed lines.
 FIG. 5 is a front elevation view of the medication storage and delivery device.
 FIG. 6 is a rear elevation view of the medication storage and delivery device.
 FIG. 7 is a top plan view of the medication storage and delivery device.
 FIG. 8 is a bottom plan view of the medication storage and delivery device.
 FIG. 9 is a right side elevation view of the medication storage and delivery device. The left side view is a mirror image thereof.
 FIG. 10 is a front perspective view of the medication storage and delivery device, shown with the lid open.
 FIG. 11 is a rear perspective view of the medication storage and delivery device, shown with the lid open.
 FIG. 12 is a front elevation view of the medication storage and delivery device, shown with the lid open.
 FIG. 13 is a rear elevation view of the medication storage and delivery device, shown with the lid open.
 FIG. 14 is a top plan view of the medication storage and delivery device, shown with the lid open.
 FIG. 15 is a bottom plan view of the medication storage and delivery device, shown with the lid open.
 FIG. 16 is a right side elevation view of the medication storage and delivery device, shown with the lid open; and,
 FIG. 17 is a left side elevation view of the medication storage and delivery device, shown with the lid open.

1 Claim, 16 Drawing Sheets



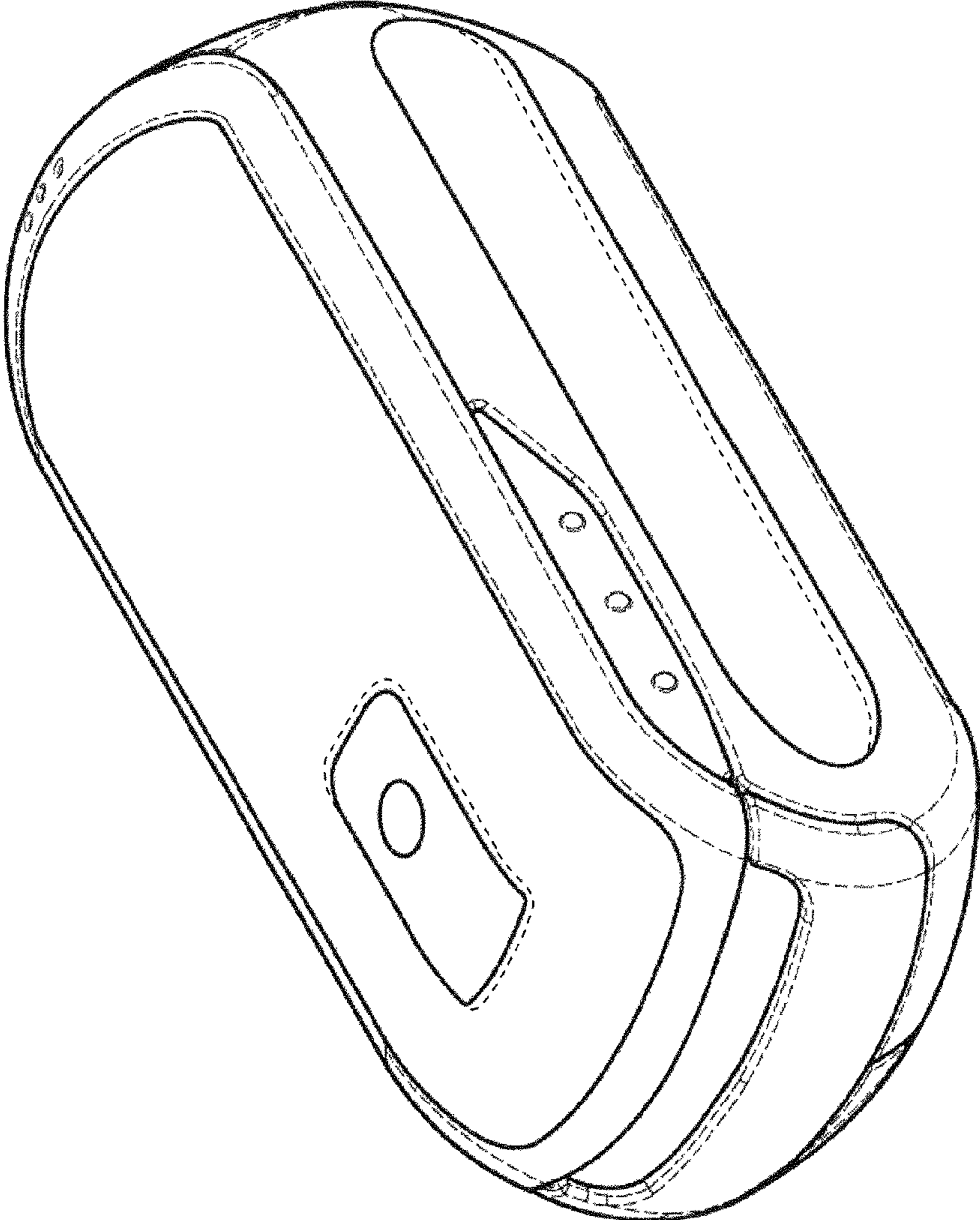


FIG. 1

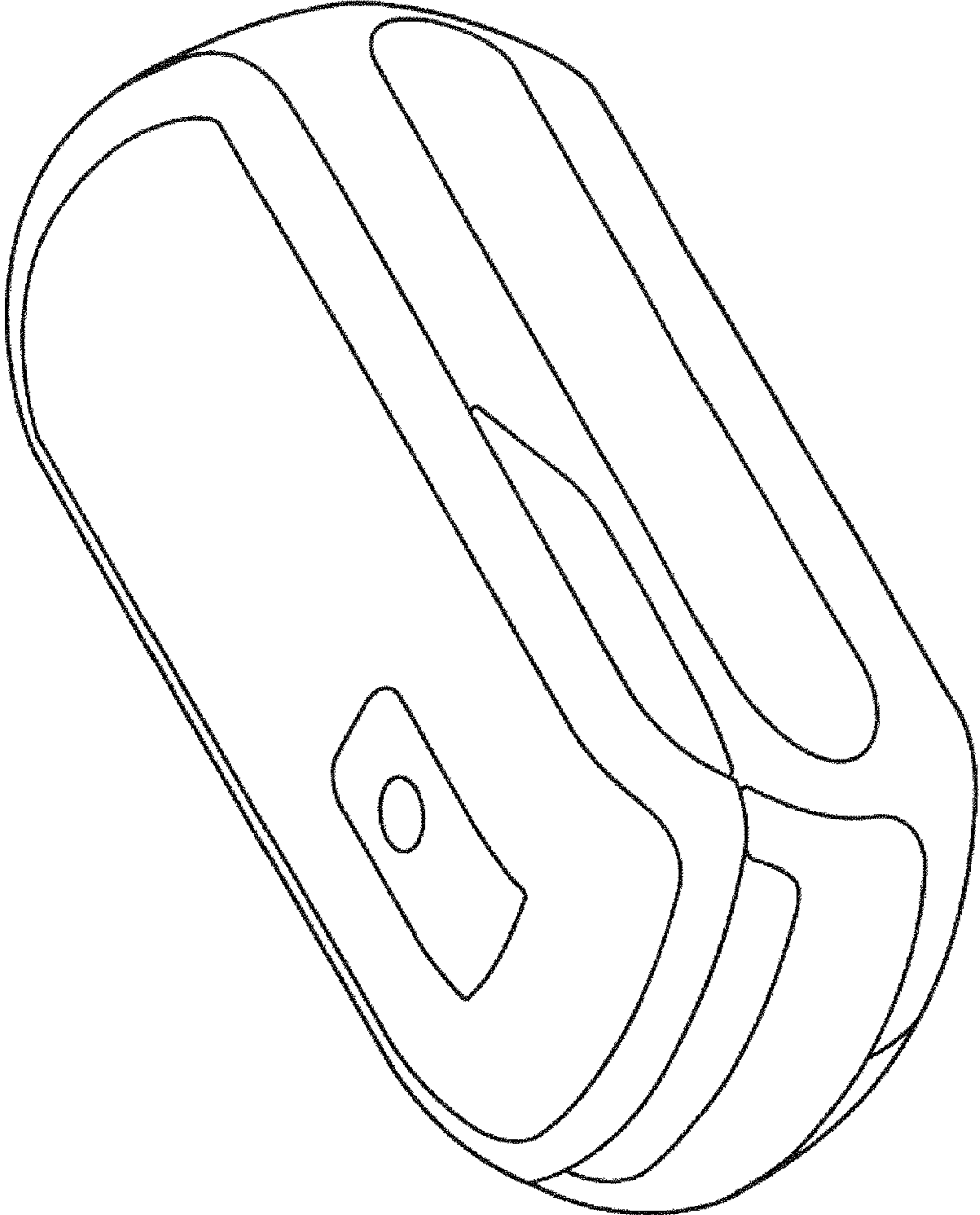


FIG. 2

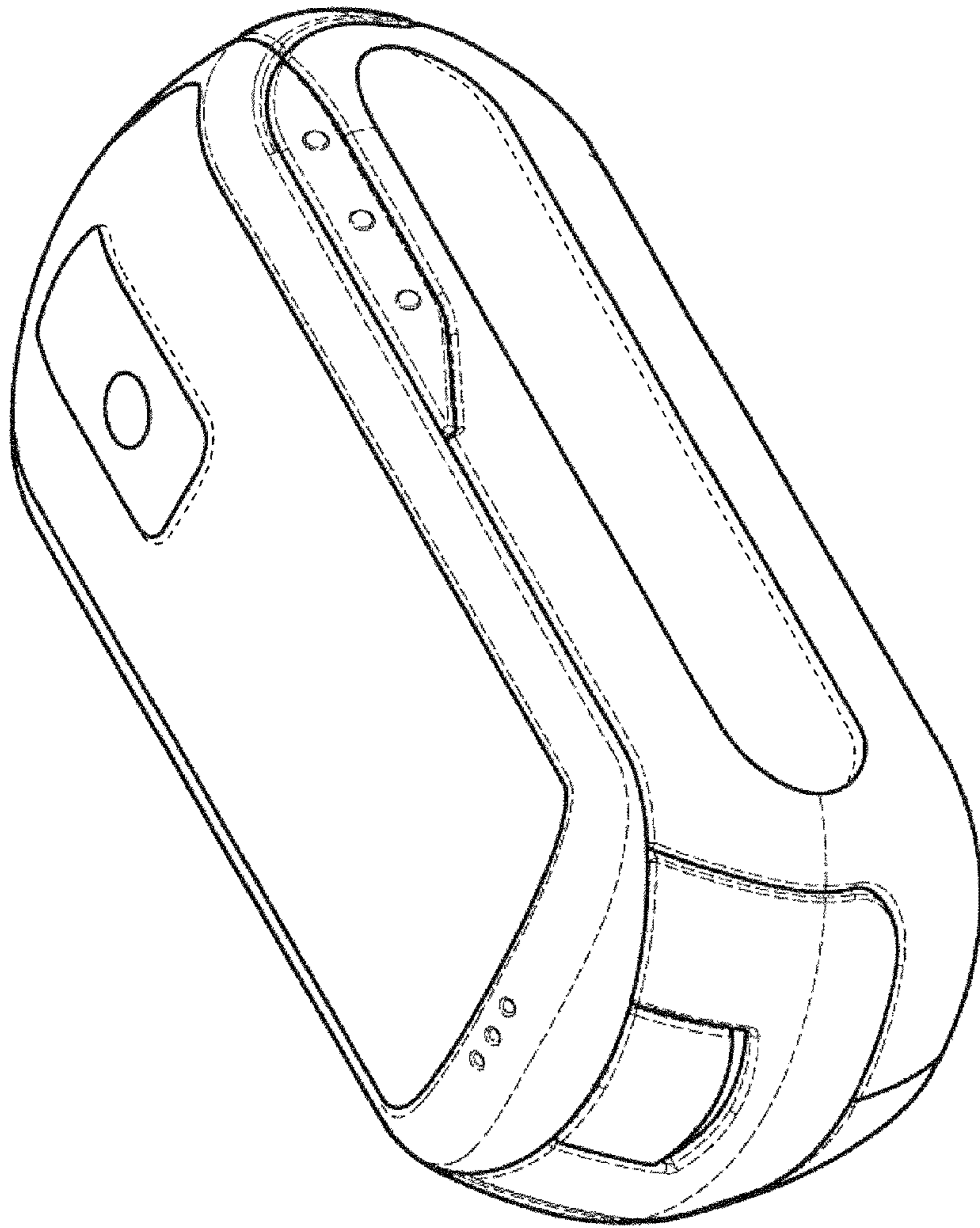


FIG. 3

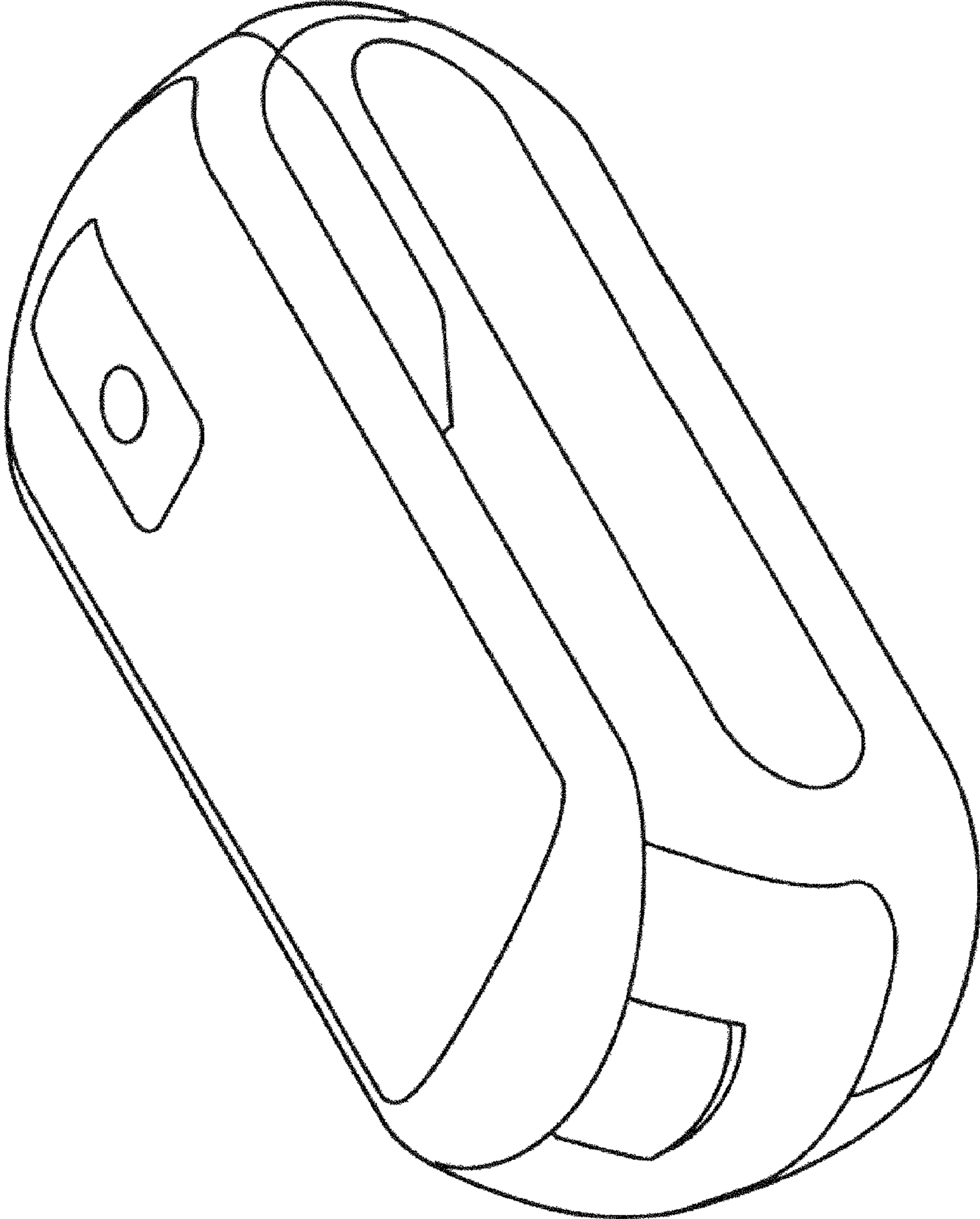


FIG. 4

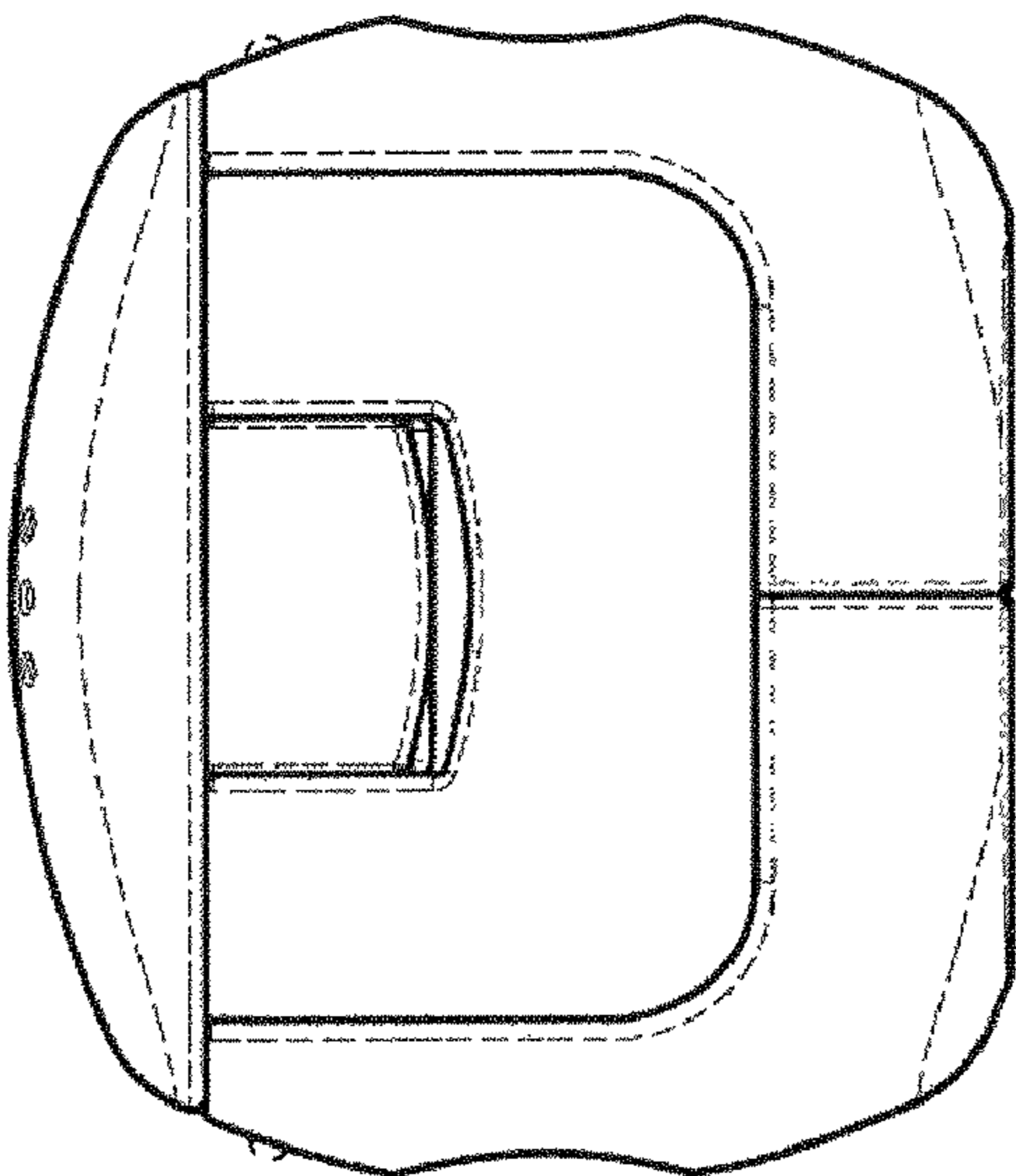


FIG. 5

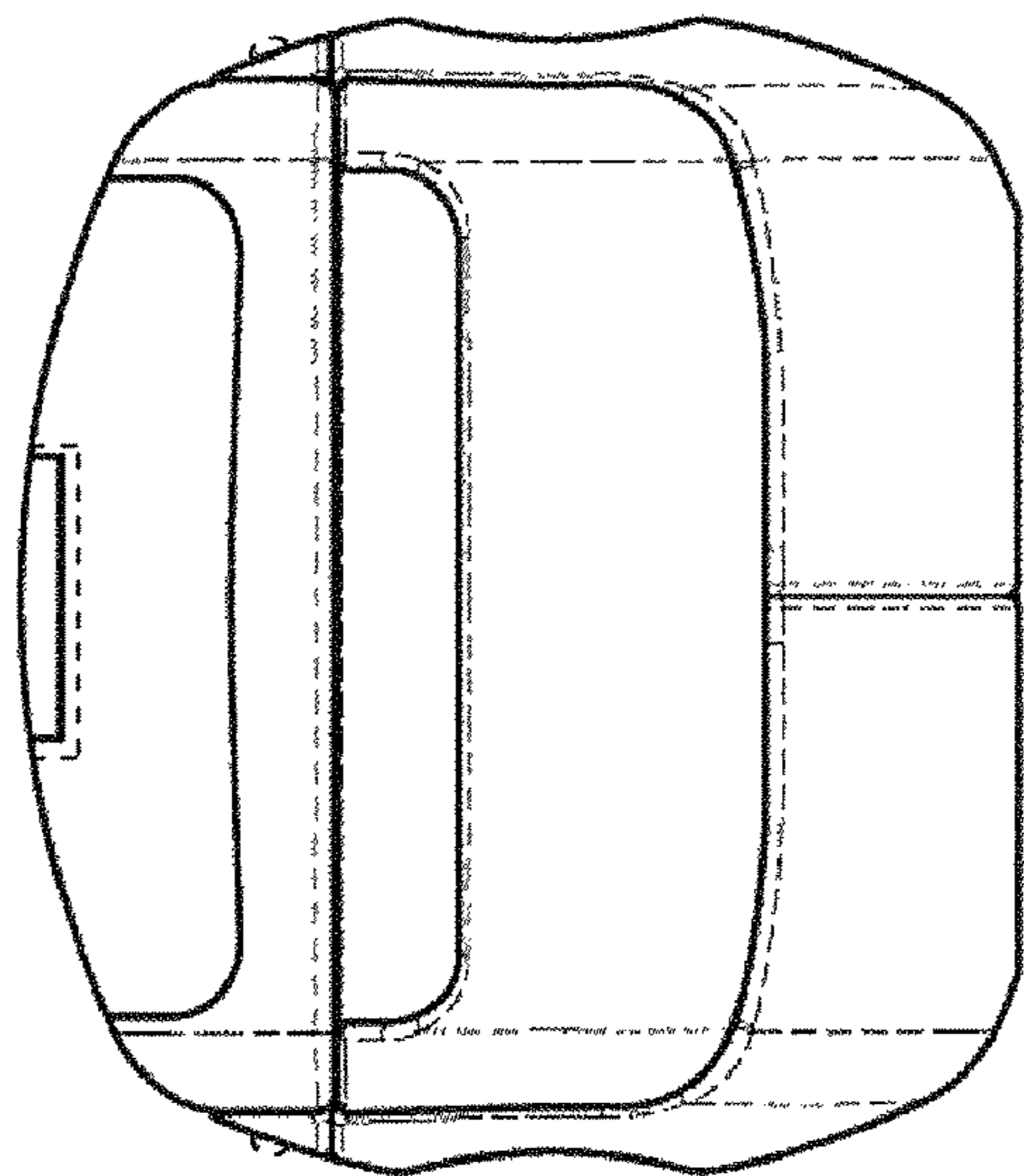


FIG. 6

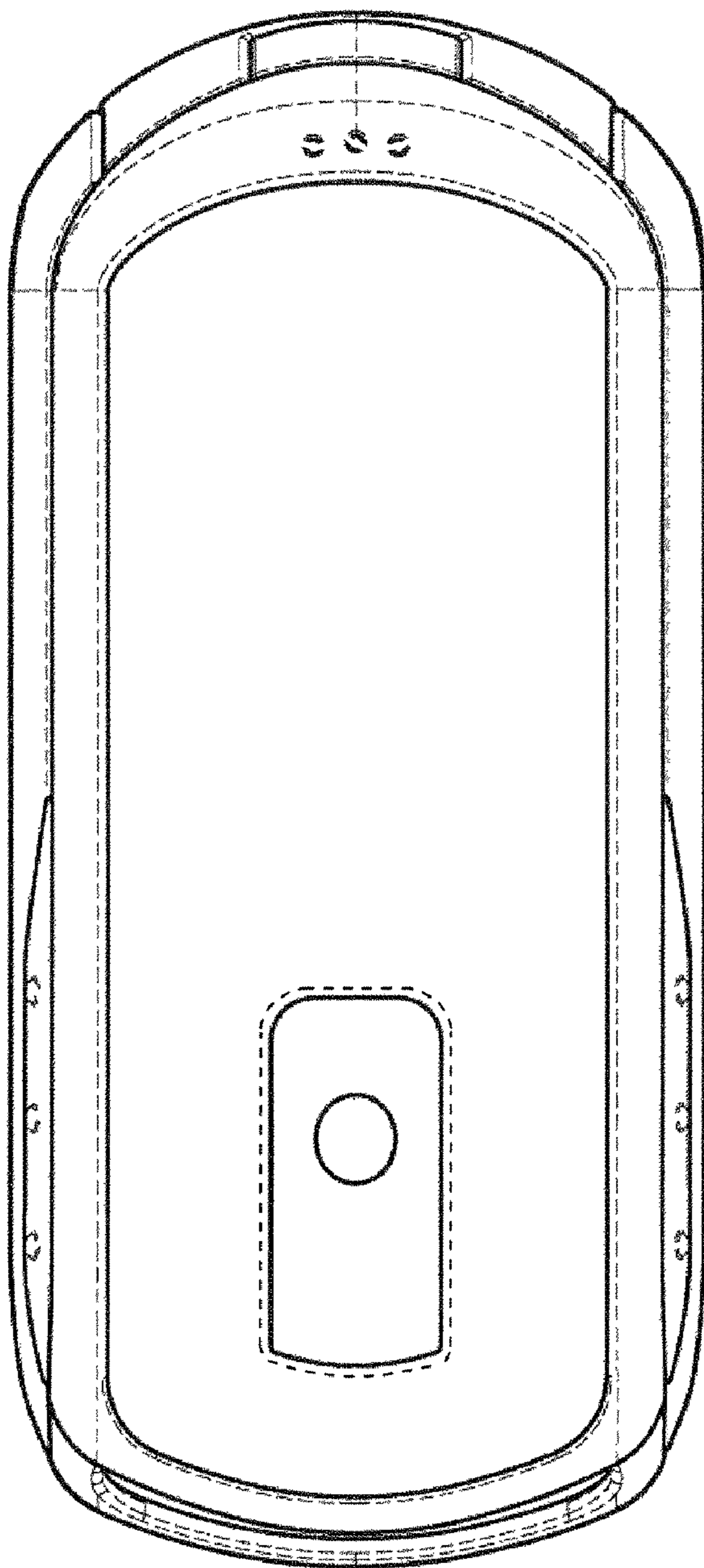


FIG. 7

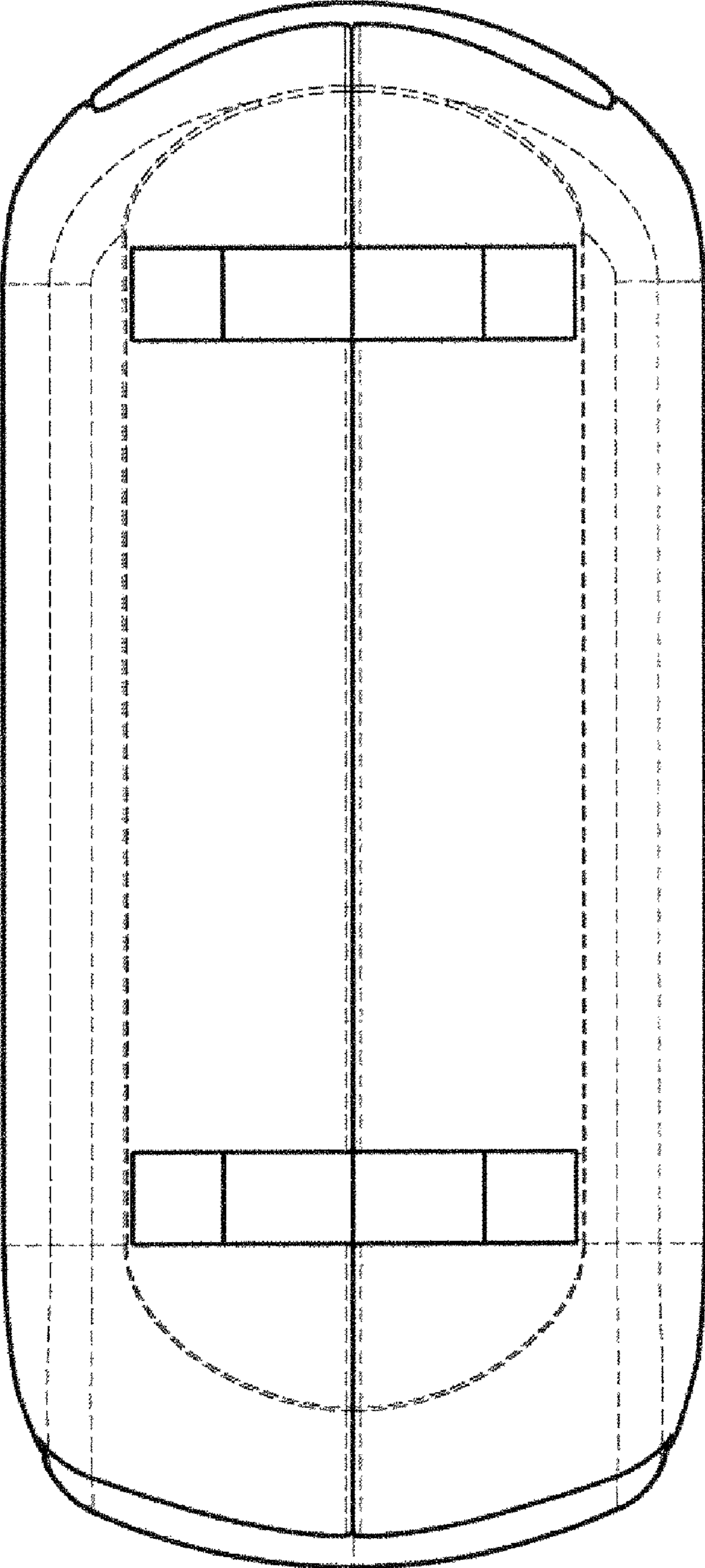


FIG. 8

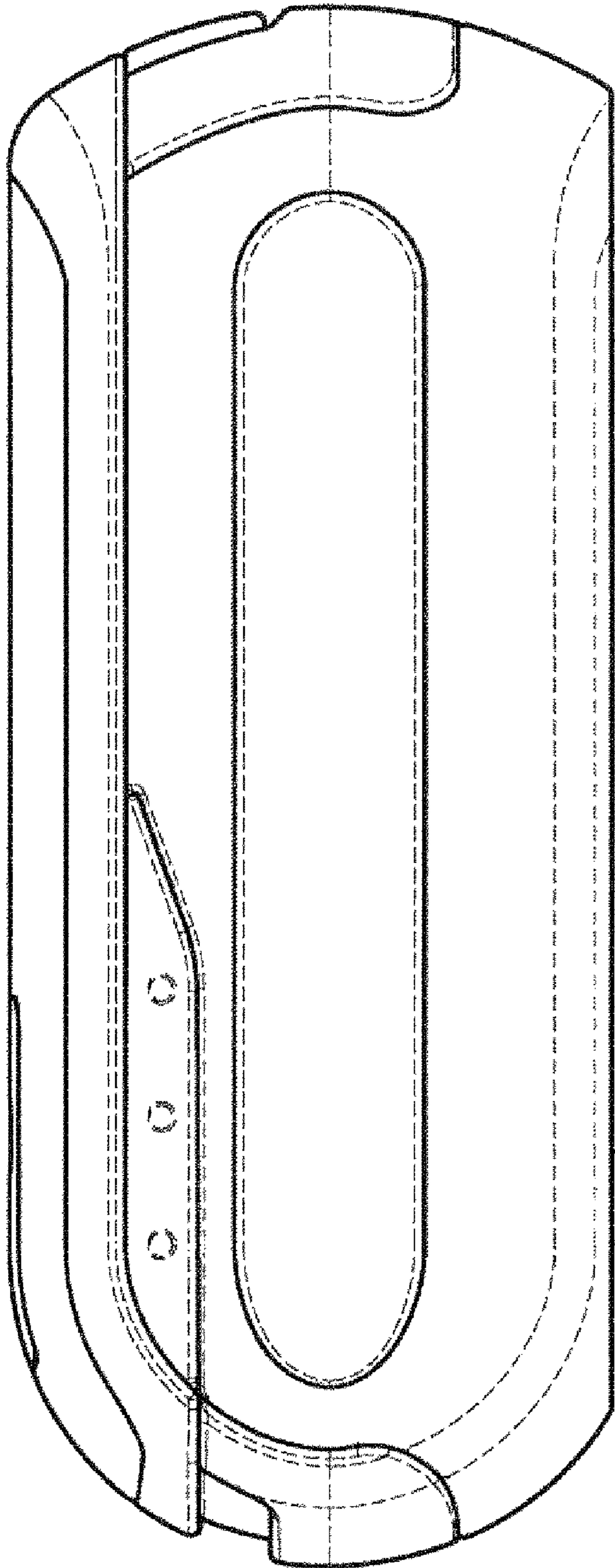


FIG. 9

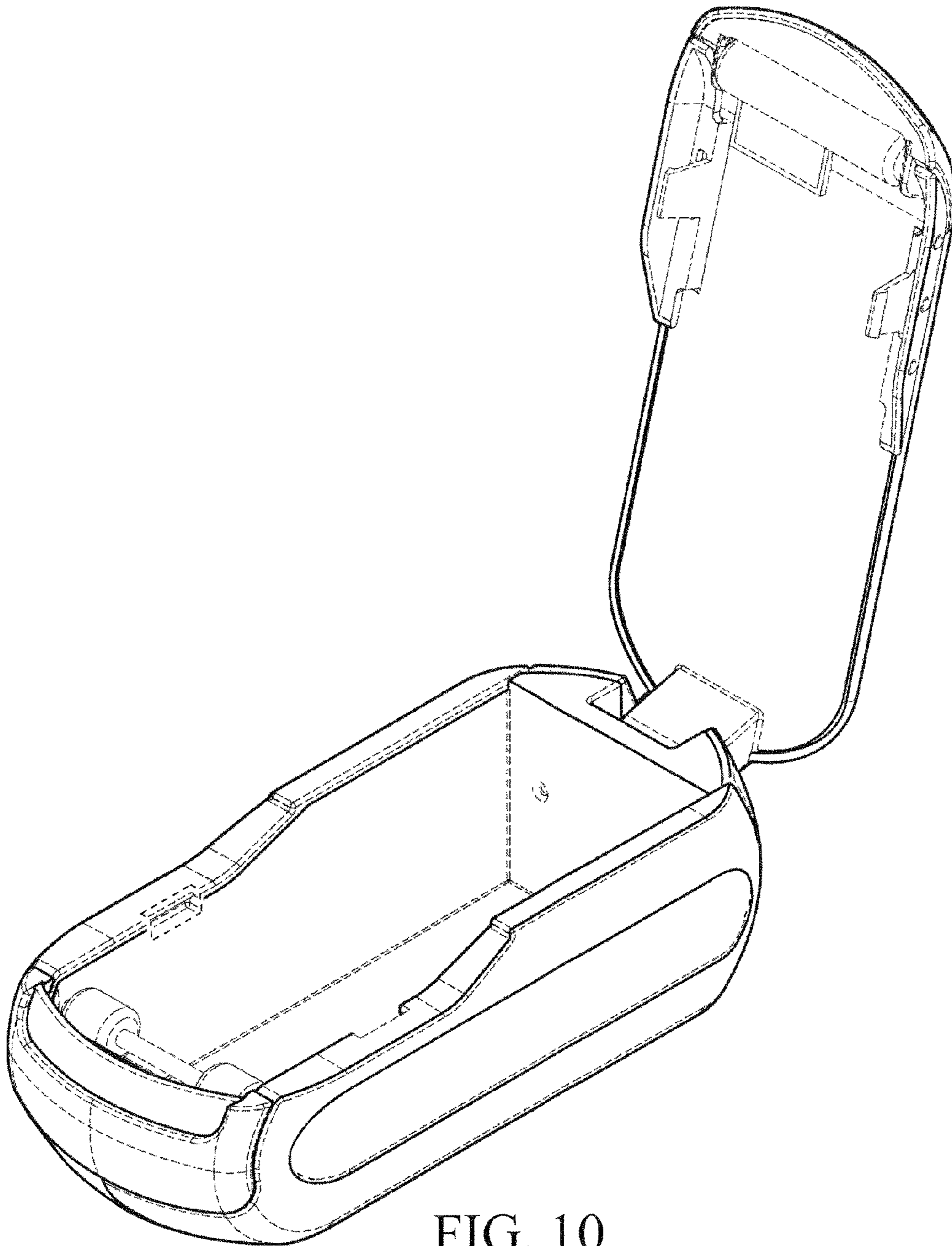


FIG. 10

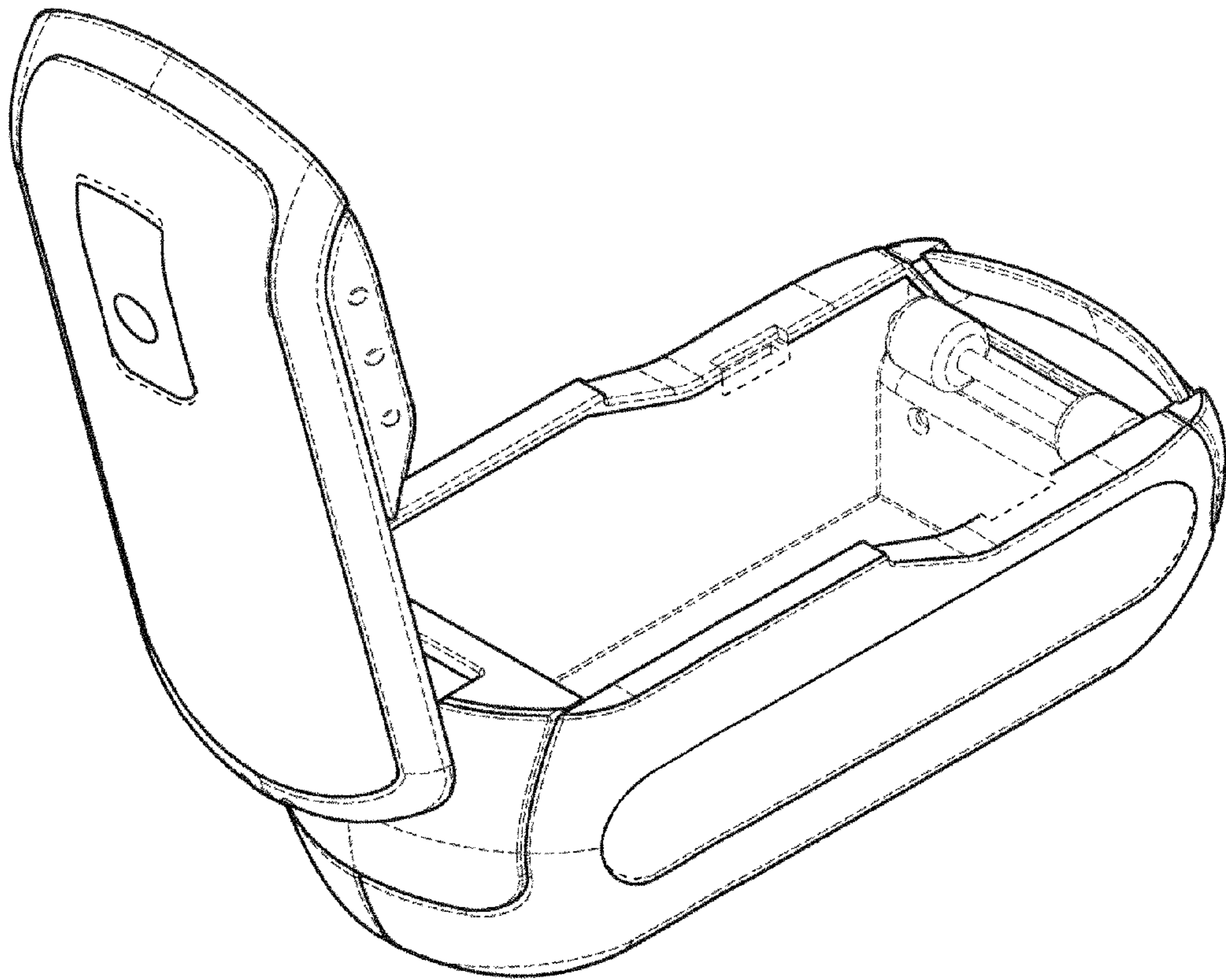


FIG. 11

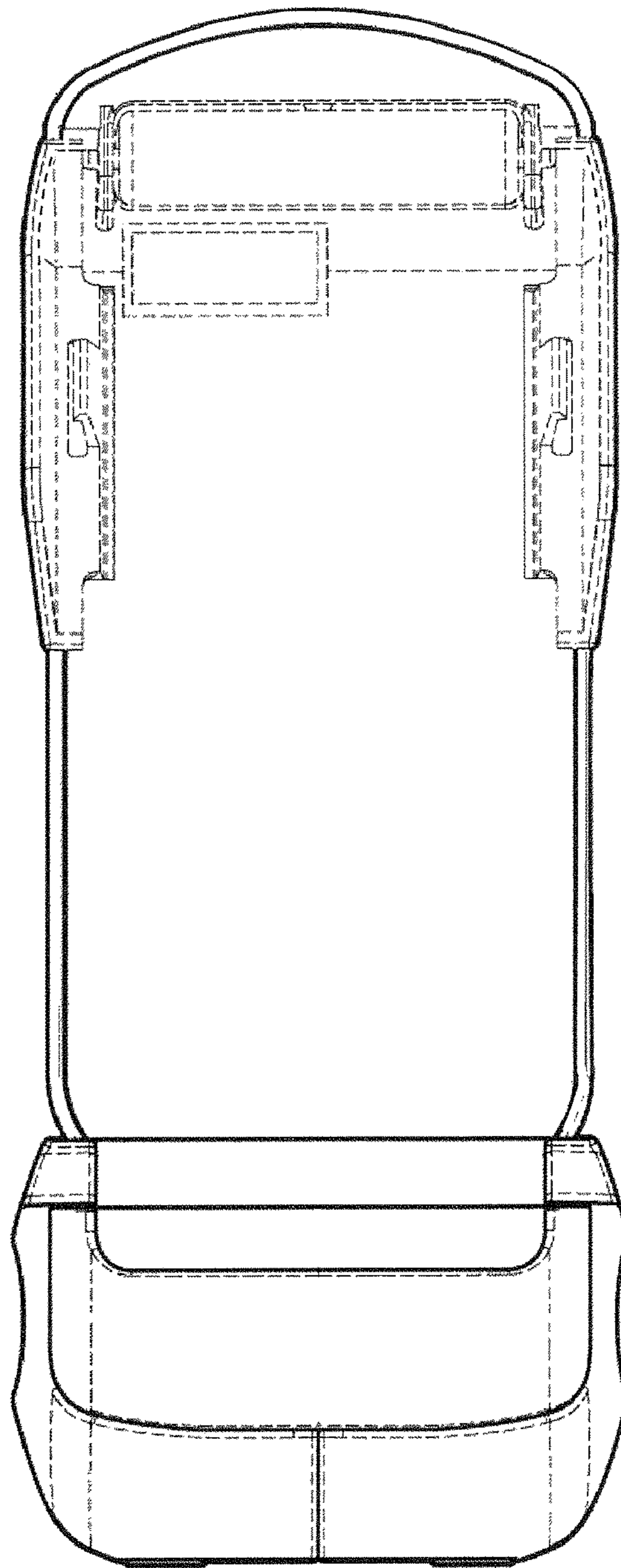


FIG. 12

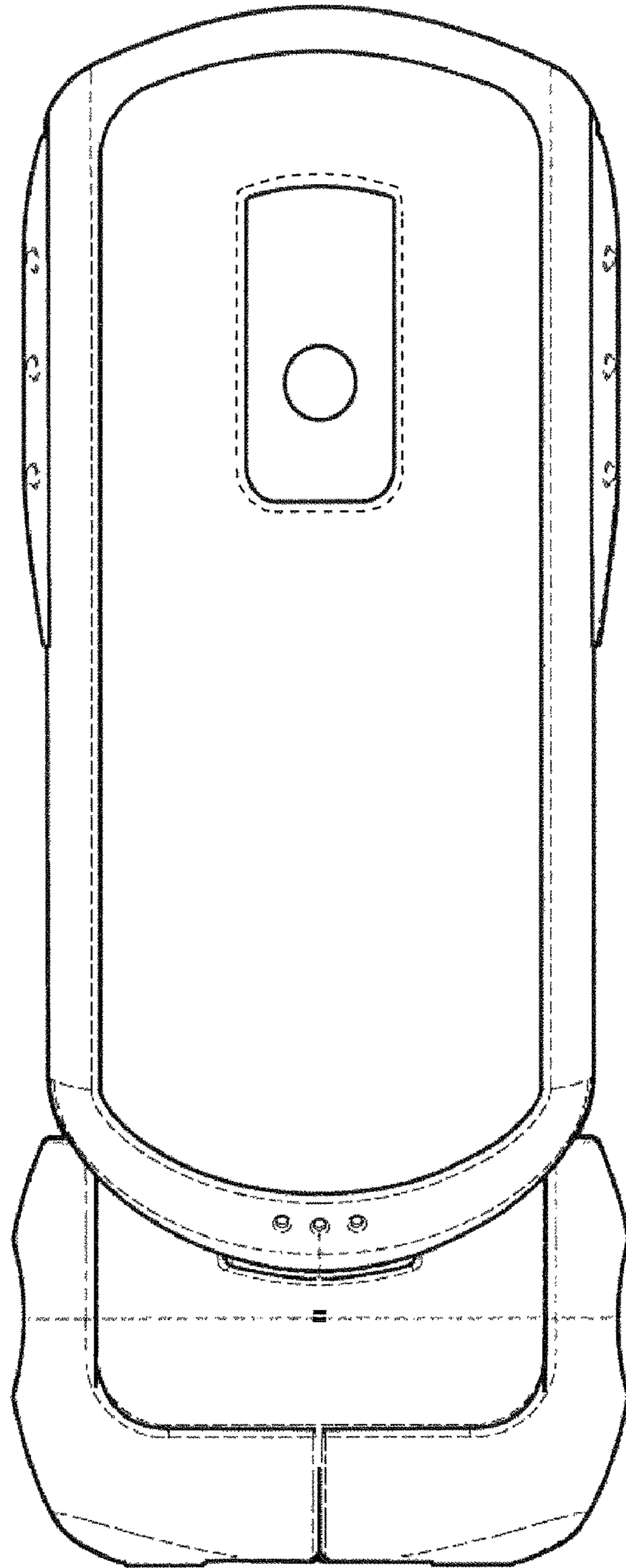


FIG. 13

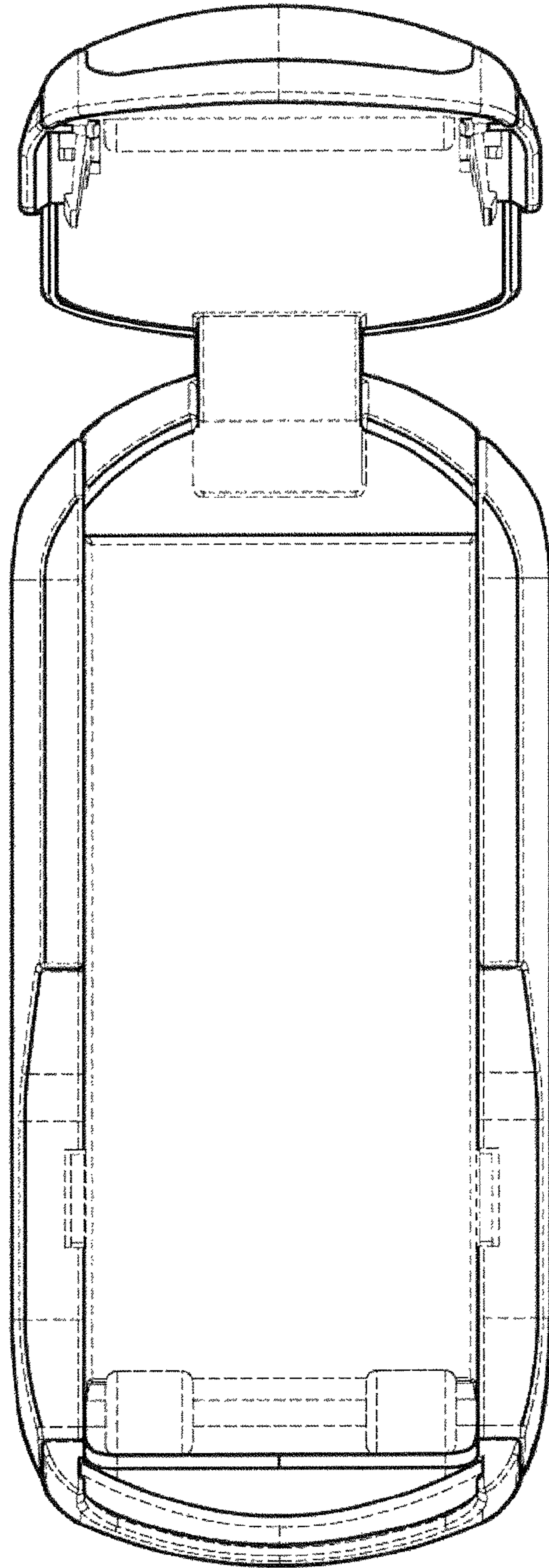


FIG. 14

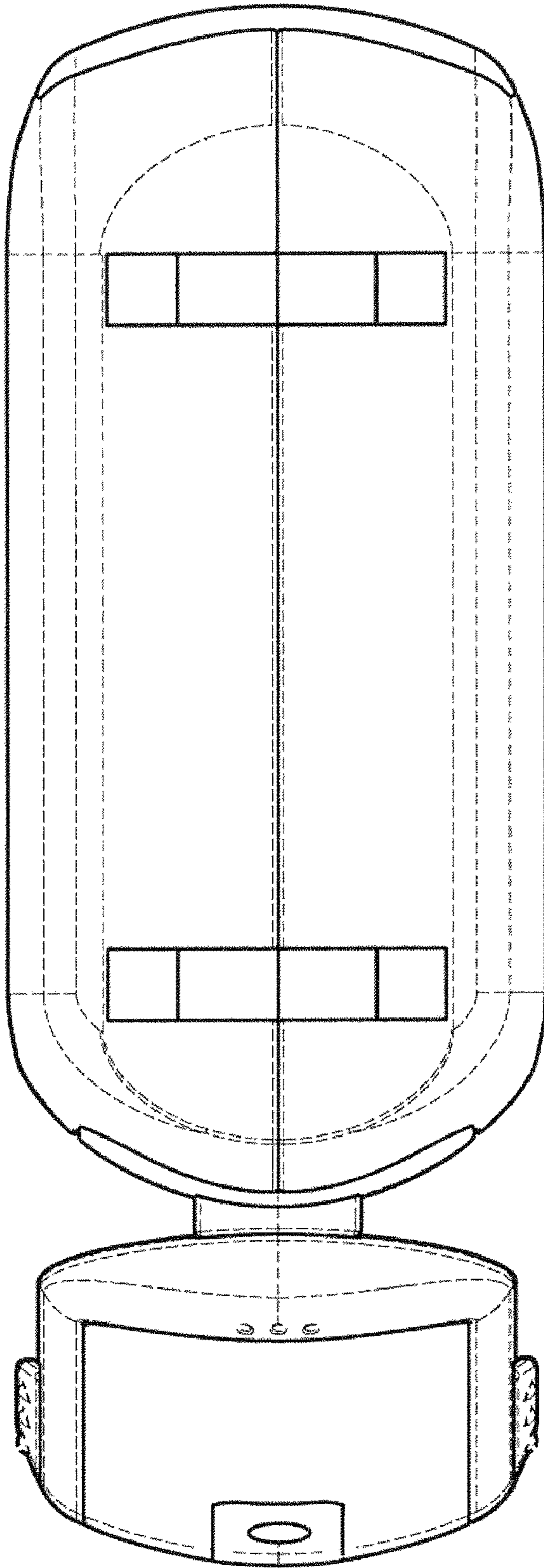


FIG. 15

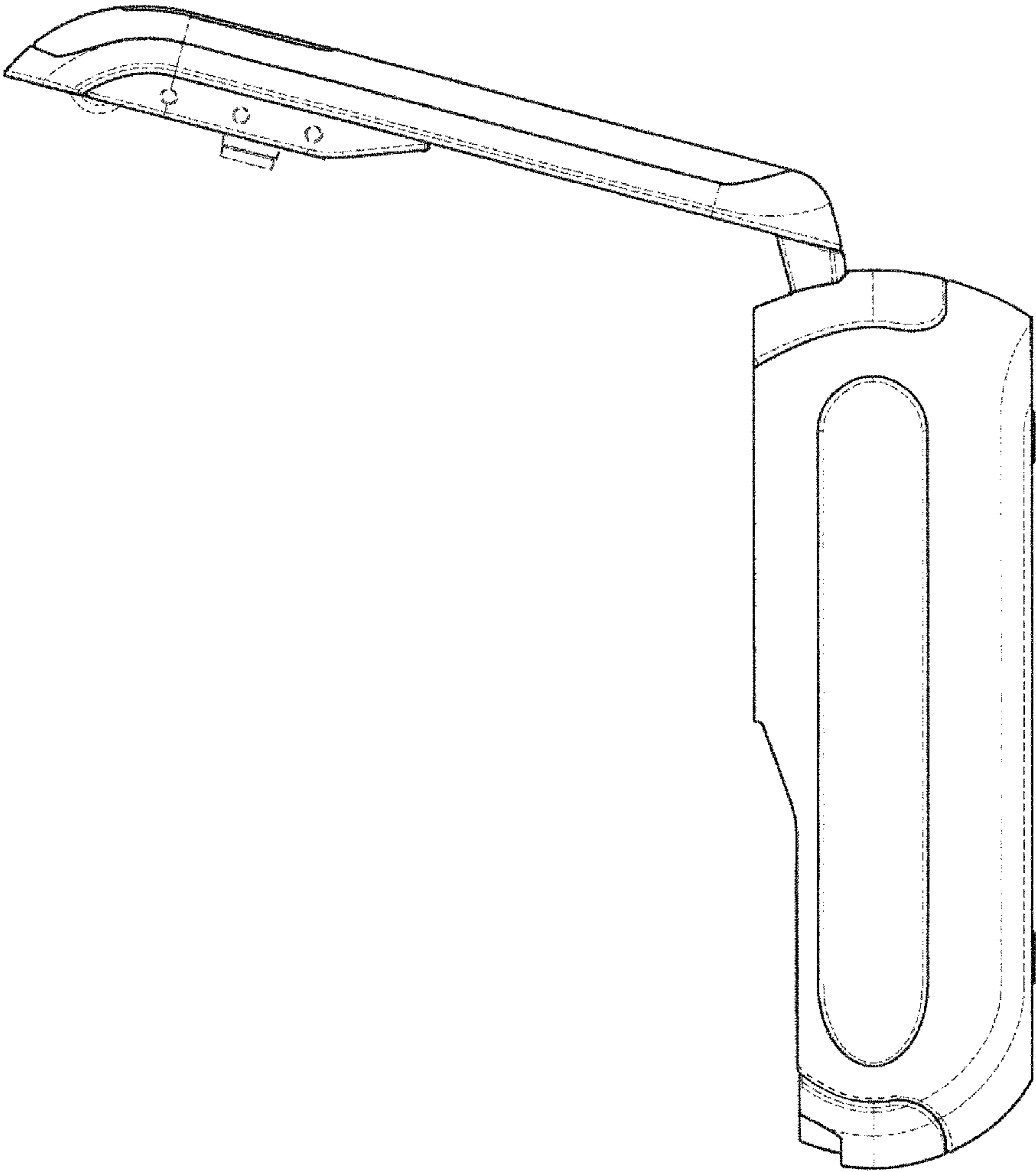


FIG. 16

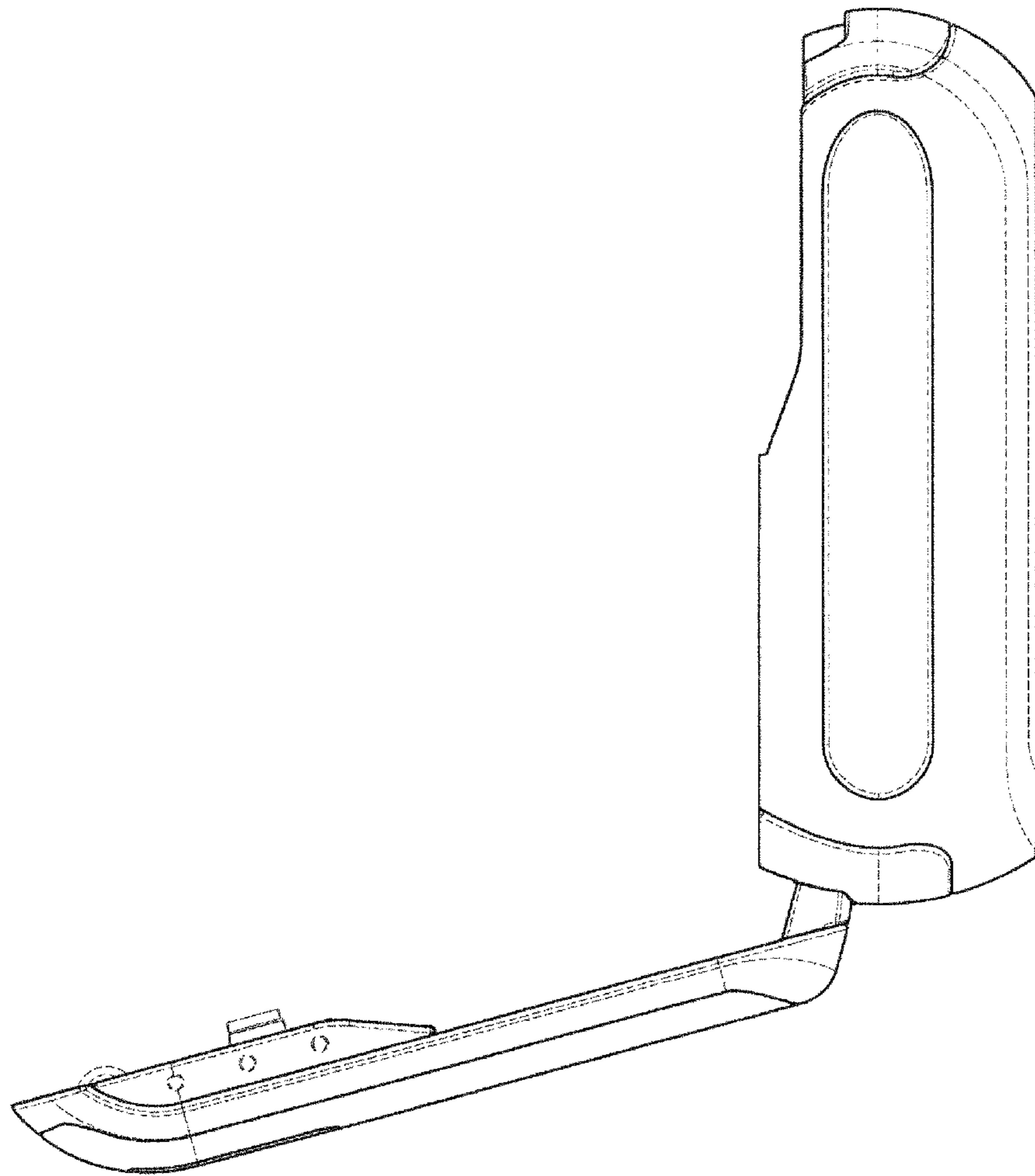


FIG. 17