

US00D650984S

(12) **United States Design Patent**
Pineda

(10) **Patent No.:** **US D650,984 S**

(45) **Date of Patent:** **** Dec. 27, 2011**

(54) **UMBRELLA SKELETON**

(75) **Inventor:** **Remigio M. Pineda**, Singapore (SG)

(73) **Assignee:** **Guangtai Corp. Pte. Ltd.**, Singapore (SG)

(**) **Term:** **14 Years**

(21) **Appl. No.:** **29/368,117**

(22) **Filed:** **Aug. 18, 2010**

(51) **LOC (9) Cl.** **03-03**

(52) **U.S. Cl.** **D3/10**

(58) **Field of Classification Search** D3/5-17;
135/15.1, 23, 20.1, 20.3, 25.31, 33.7, 39,
135/40, 25.01, 21, 16, 44

See application file for complete search history.

(56) **References Cited**

U.S. PATENT DOCUMENTS

D56,043	S *	8/1920	Weinberg et al.	D3/5
1,353,234	A *	9/1920	Gustafson	135/25.31
2,047,711	A *	7/1936	Siers	135/23
3,429,320	A *	2/1969	Edelkind	135/20.1
D221,039	S *	6/1971	Zimmermann	D3/10
D234,729	S *	4/1975	Weber	D3/10
5,046,518	A *	9/1991	Chang	135/37
5,355,903	A *	10/1994	Haddad et al.	135/20.1
5,865,201	A *	2/1999	Lin	135/31
D459,871	S *	7/2002	Persson	D3/5
6,715,504	B2 *	4/2004	Chen	135/27
D497,478	S *	10/2004	Clarke	D3/5
6,889,953	B2 *	5/2005	Harbaugh	248/519
7,178,535	B2 *	2/2007	Eder	135/28
7,287,539	B2 *	10/2007	Lee	135/28
D586,549	S *	2/2009	Hermanson et al.	D3/10
D586,550	S *	2/2009	Hermanson et al.	D3/10
D623,393	S *	9/2010	You	D3/5
D627,148	S *	11/2010	Quinn	D3/5
7,913,709	B2 *	3/2011	Brebner	135/33.5
D638,622	S *	5/2011	He	D3/5

D640,464	S *	6/2011	Forthuber et al.	D3/5
2003/0168092	A1 *	9/2003	Chou	135/22
2004/0206383	A1 *	10/2004	Clarke	135/41
2005/0051202	A1 *	3/2005	You	135/27
2005/0121063	A1 *	6/2005	Chang	135/910
2005/0236023	A1 *	10/2005	Vardy et al.	135/20.1
2006/0185701	A1 *	8/2006	Chen et al.	135/31
2008/0072939	A1 *	3/2008	Lin et al.	135/15.1
2009/0071516	A1 *	3/2009	Li	135/16
2009/0071519	A1 *	3/2009	Ma	135/33.4

* cited by examiner

Primary Examiner — T. Chase Nelson

Assistant Examiner — Ania Aman

(74) *Attorney, Agent, or Firm* — Rajesh Vallabh; Foley Hoag LLP

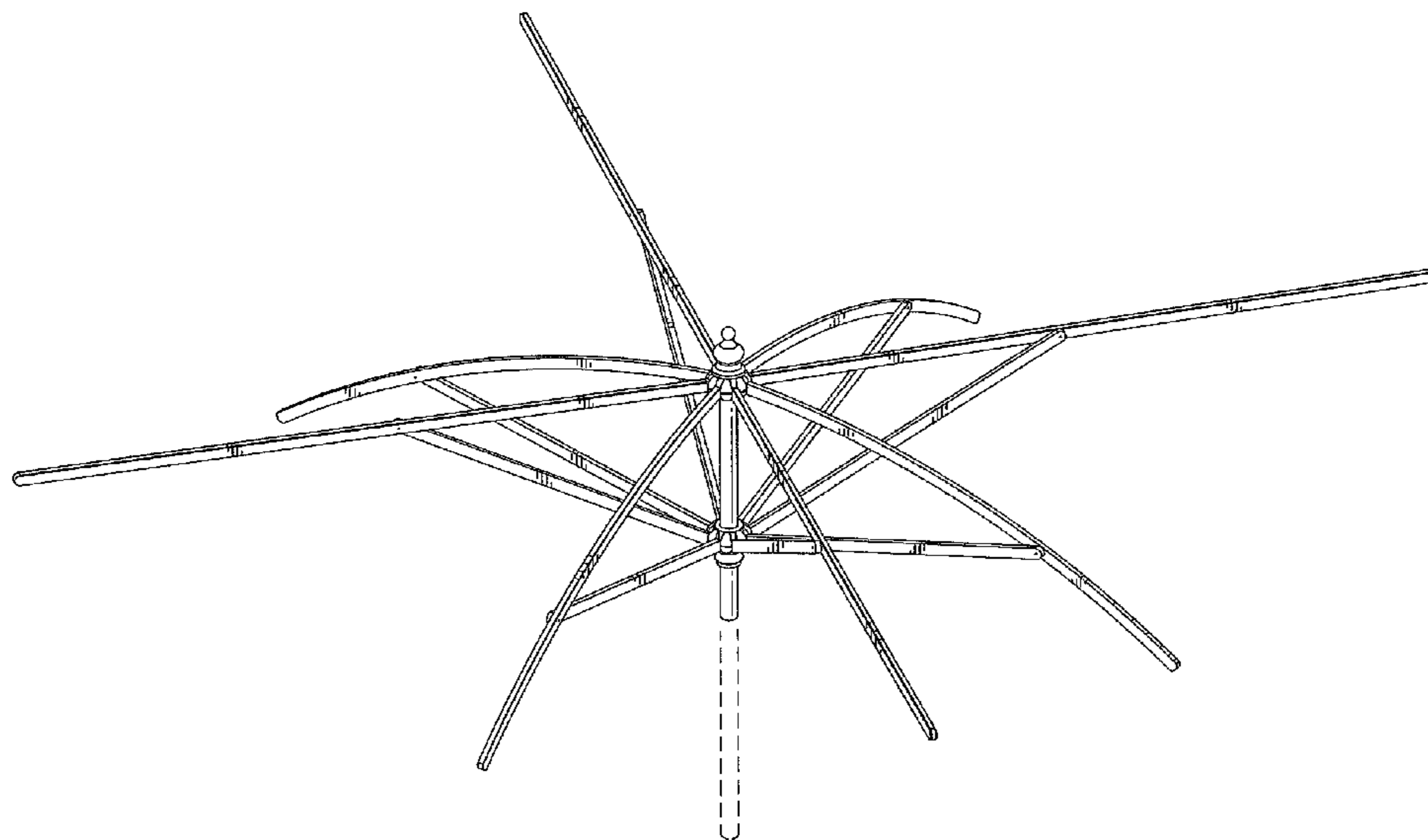
(57) **CLAIM**

The ornamental design for umbrella skeleton, as shown and described.

DESCRIPTION

FIG. 1 is a perspective view of umbrella skeleton showing my new design;
 FIG. 2 is a front elevational view thereof;
 FIG. 3 is a rear elevational view thereof;
 FIG. 4 is a left side elevational view thereof;
 FIG. 5 is a right side elevational view thereof;
 FIG. 6 is a top plan view thereof;
 FIG. 7 is a bottom plan view thereof;
 FIG. 8 is a perspective view of a canopy employing the new design;
 FIG. 9 is a perspective view of another canopy employing the new design; and,
 FIG. 10 is a perspective view of still another canopy employing the new design.
 The portions shown in dashed lines do not form part of the design.

1 Claim, 10 Drawing Sheets



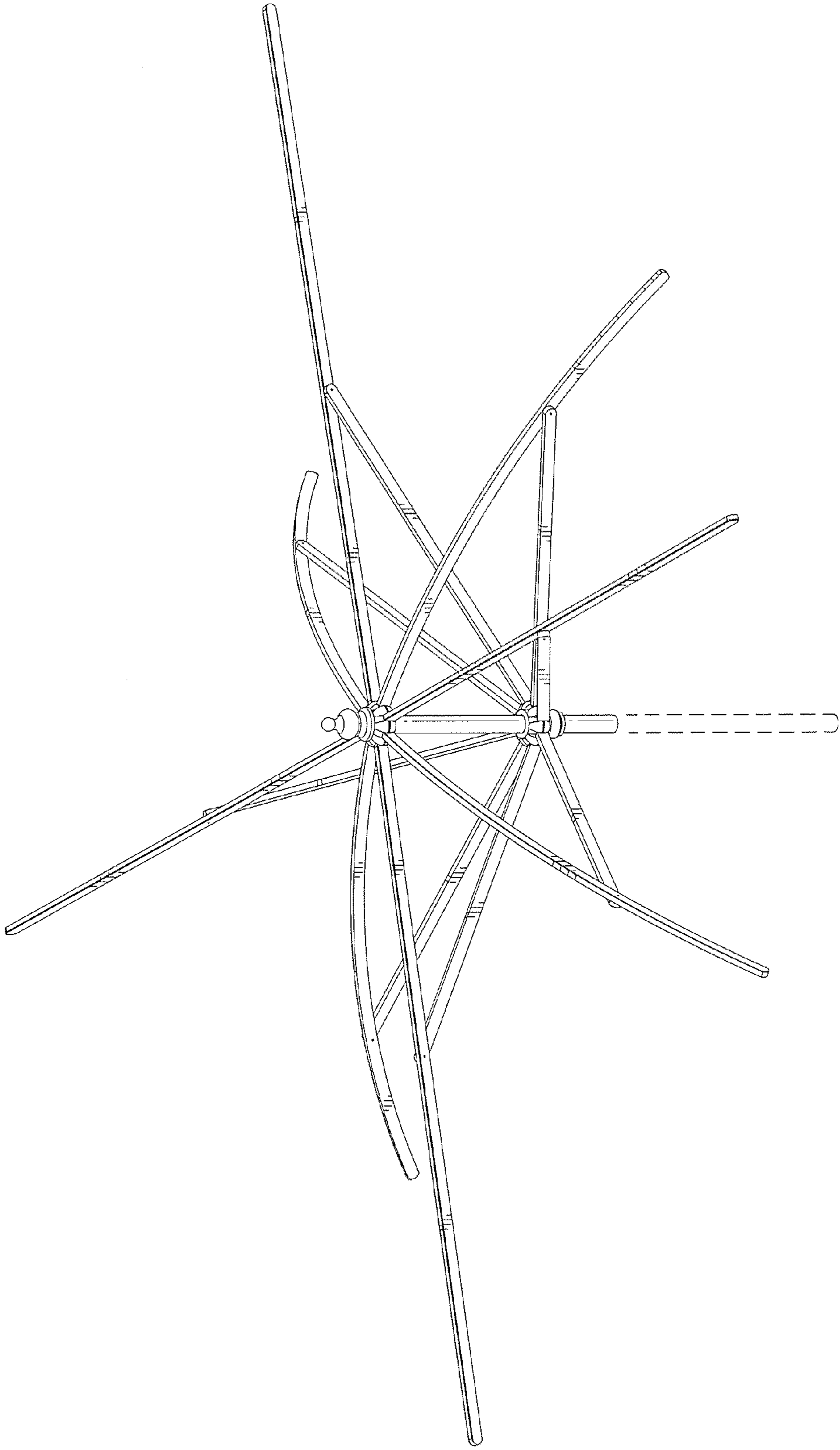


FIG. 1

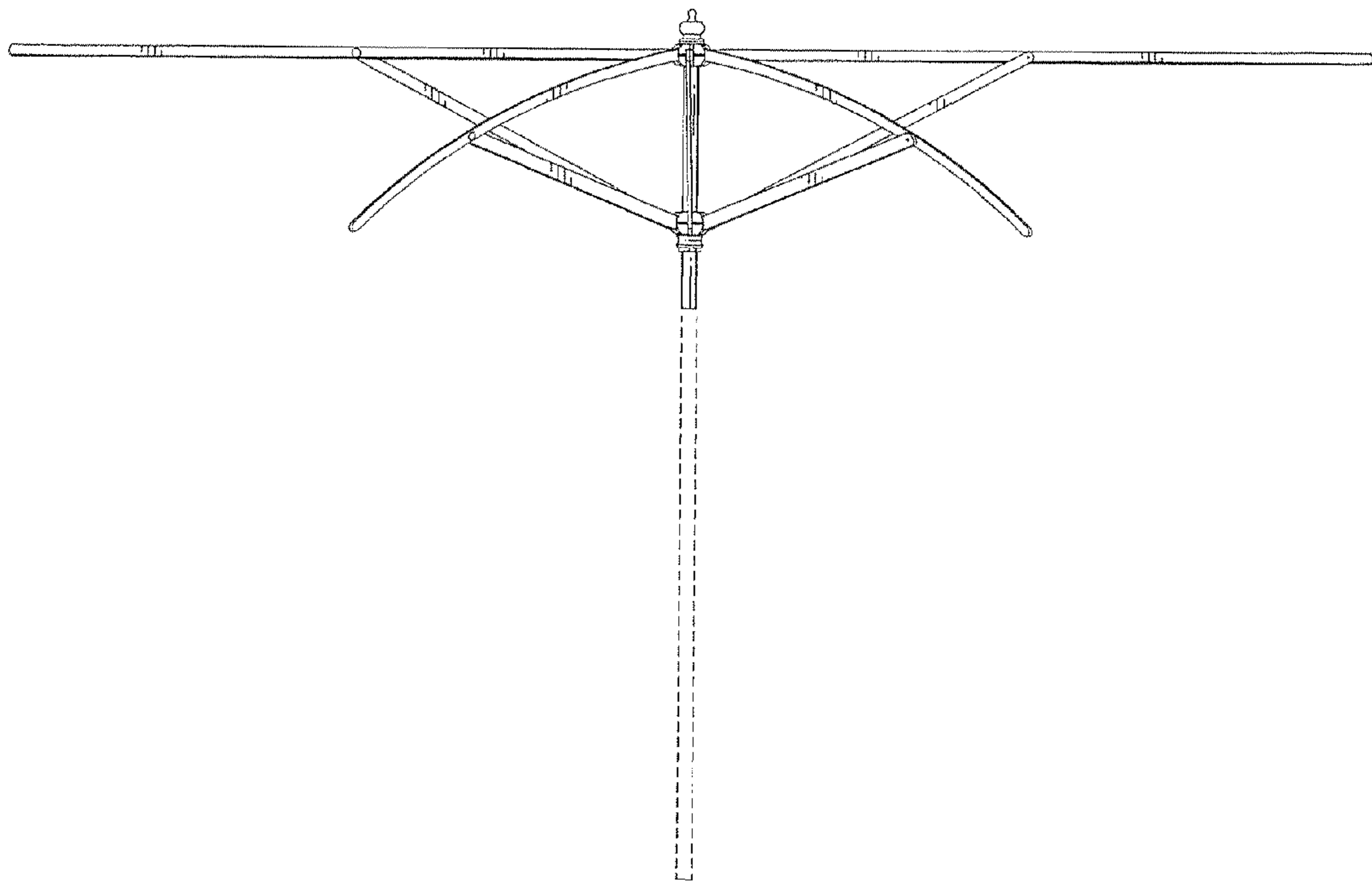


FIG. 2

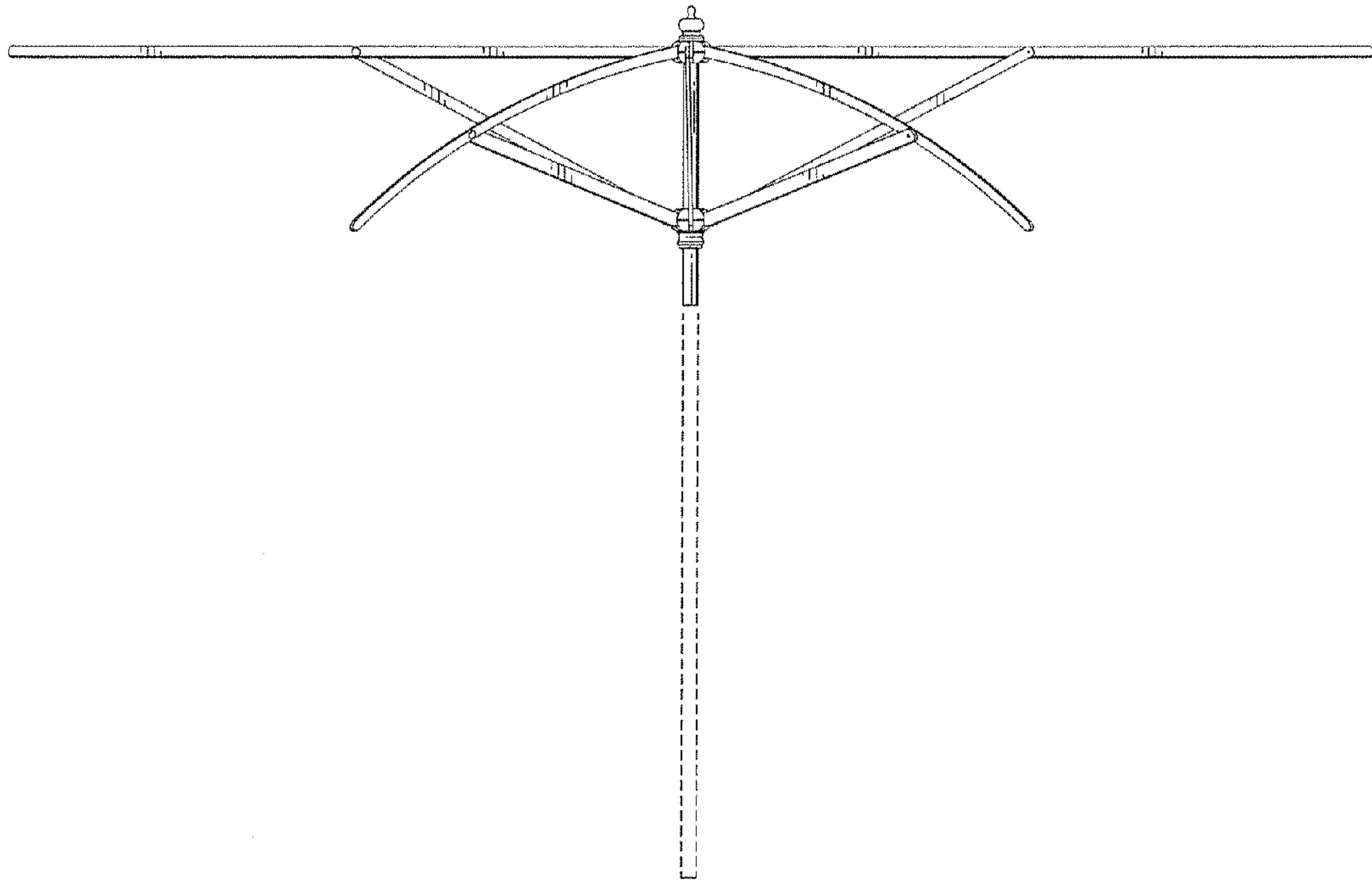


FIG. 3

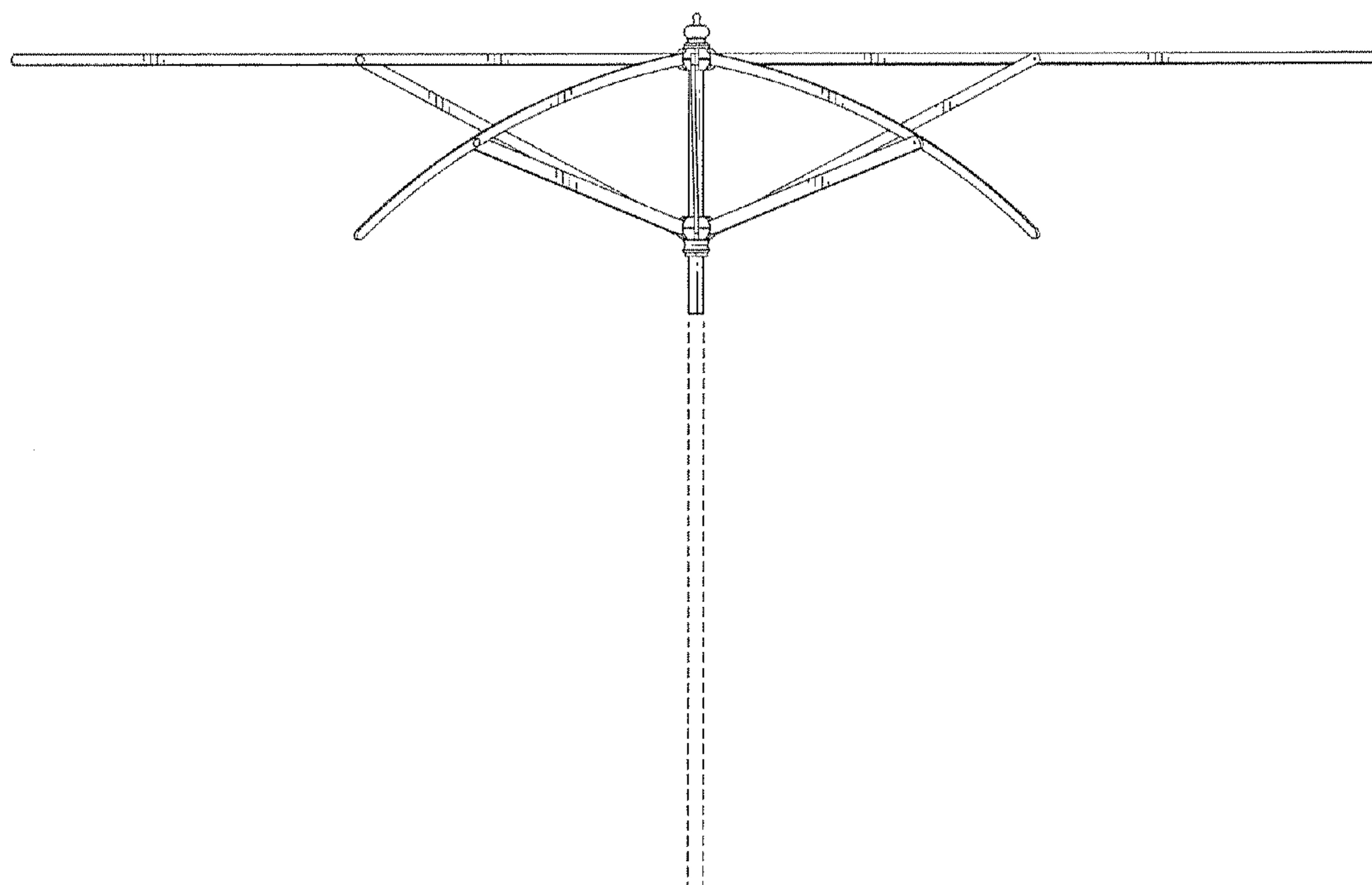


FIG. 4

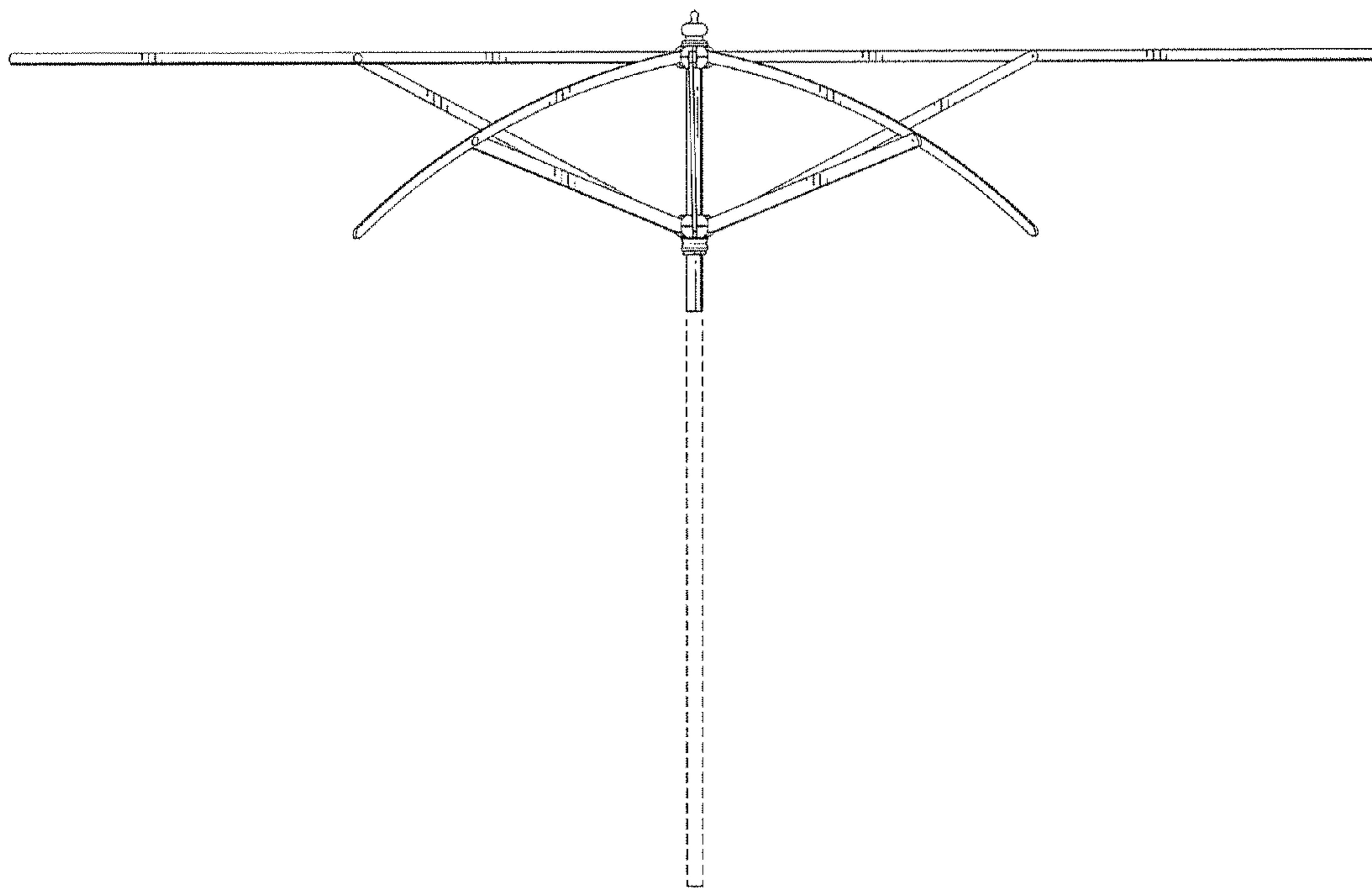


FIG. 5

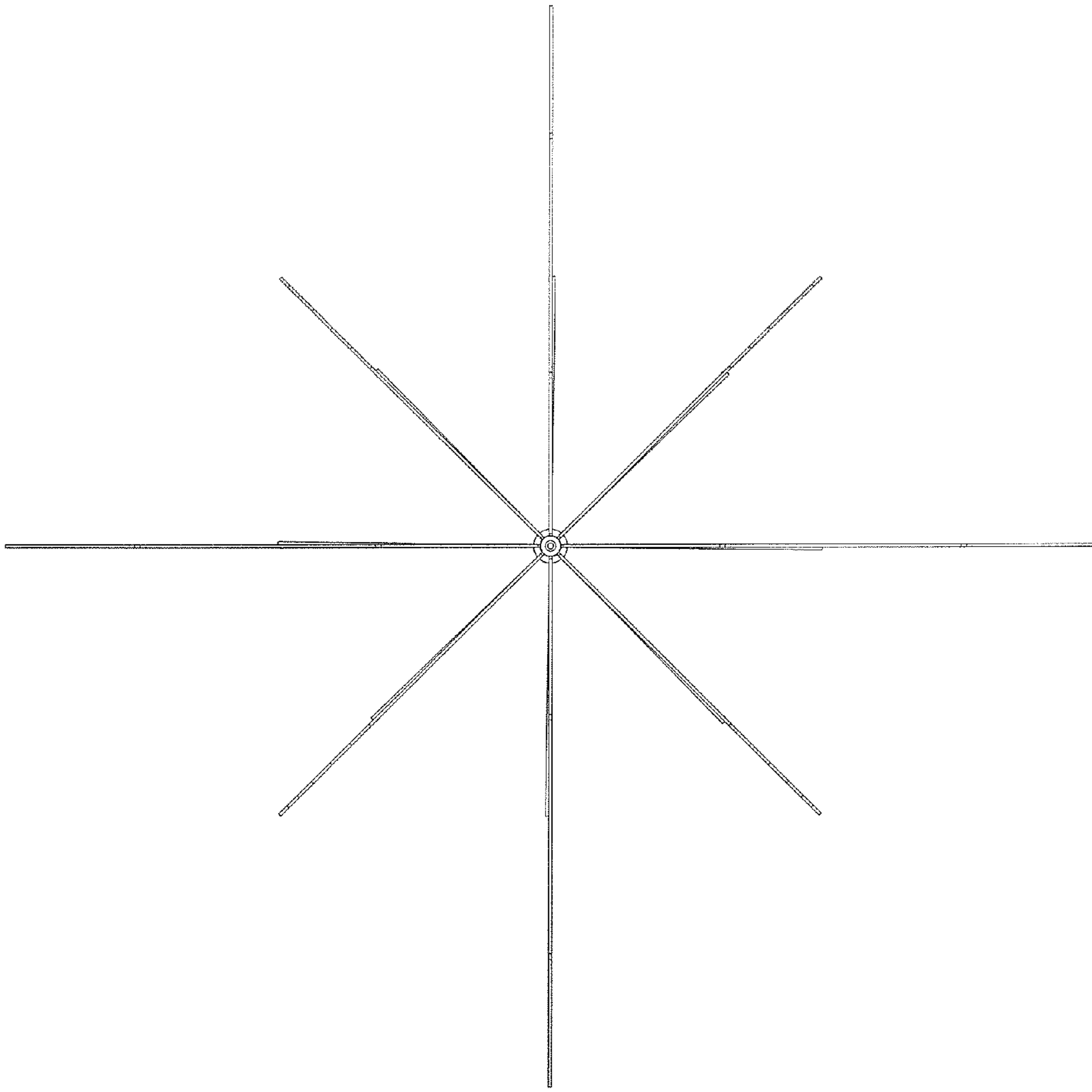


FIG. 6

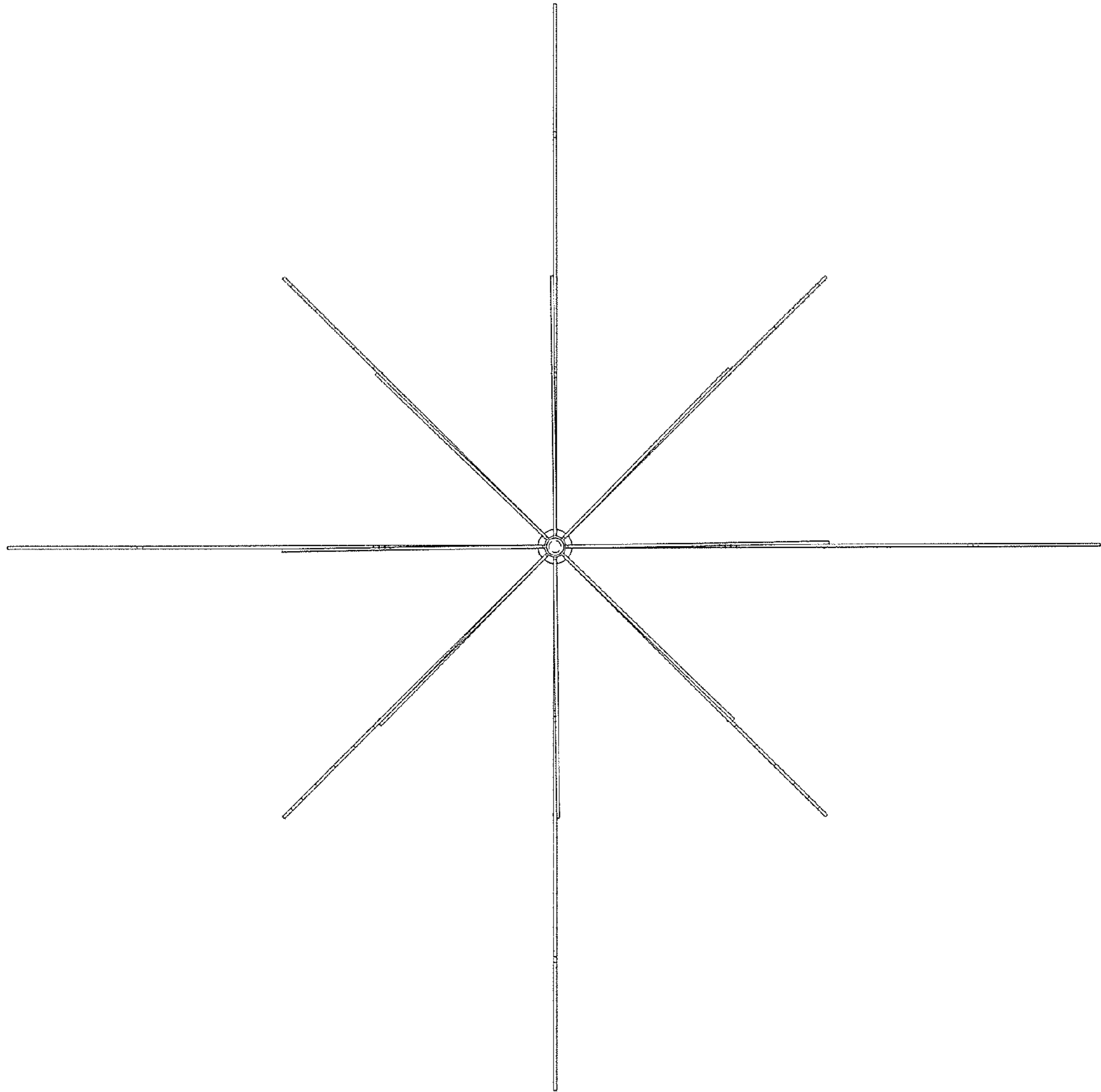


FIG. 7

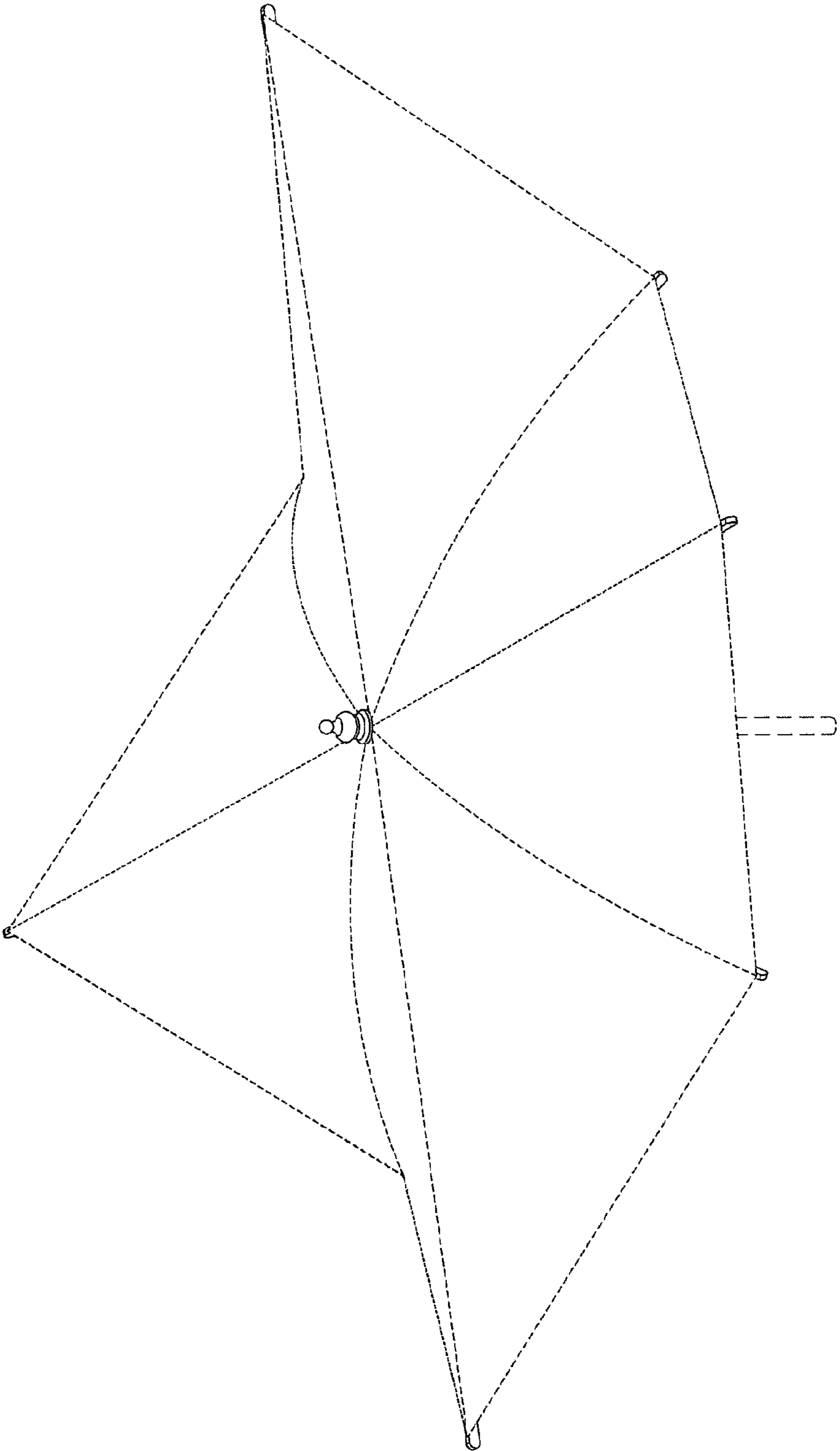


FIG. 8

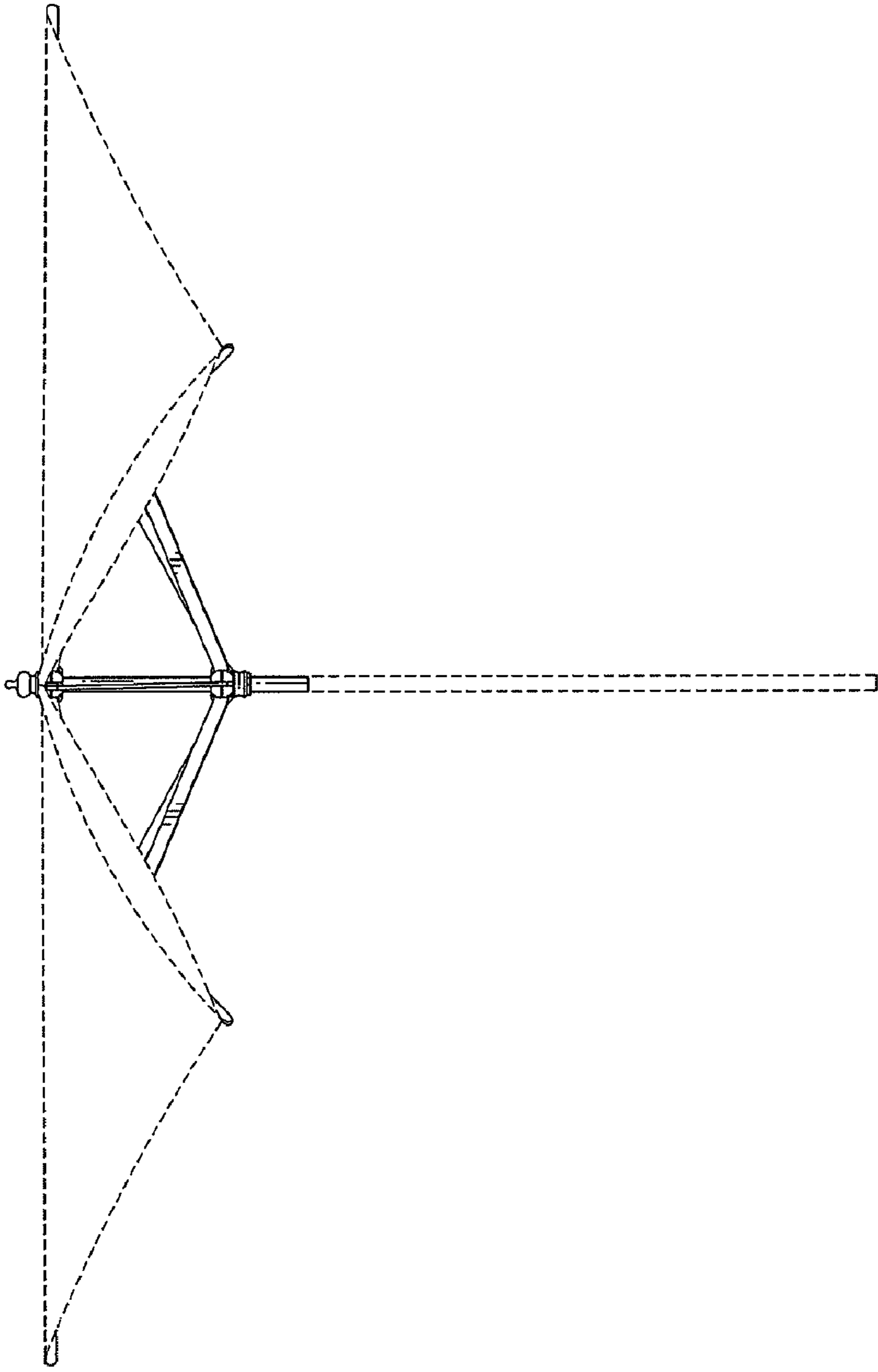


FIG. 9

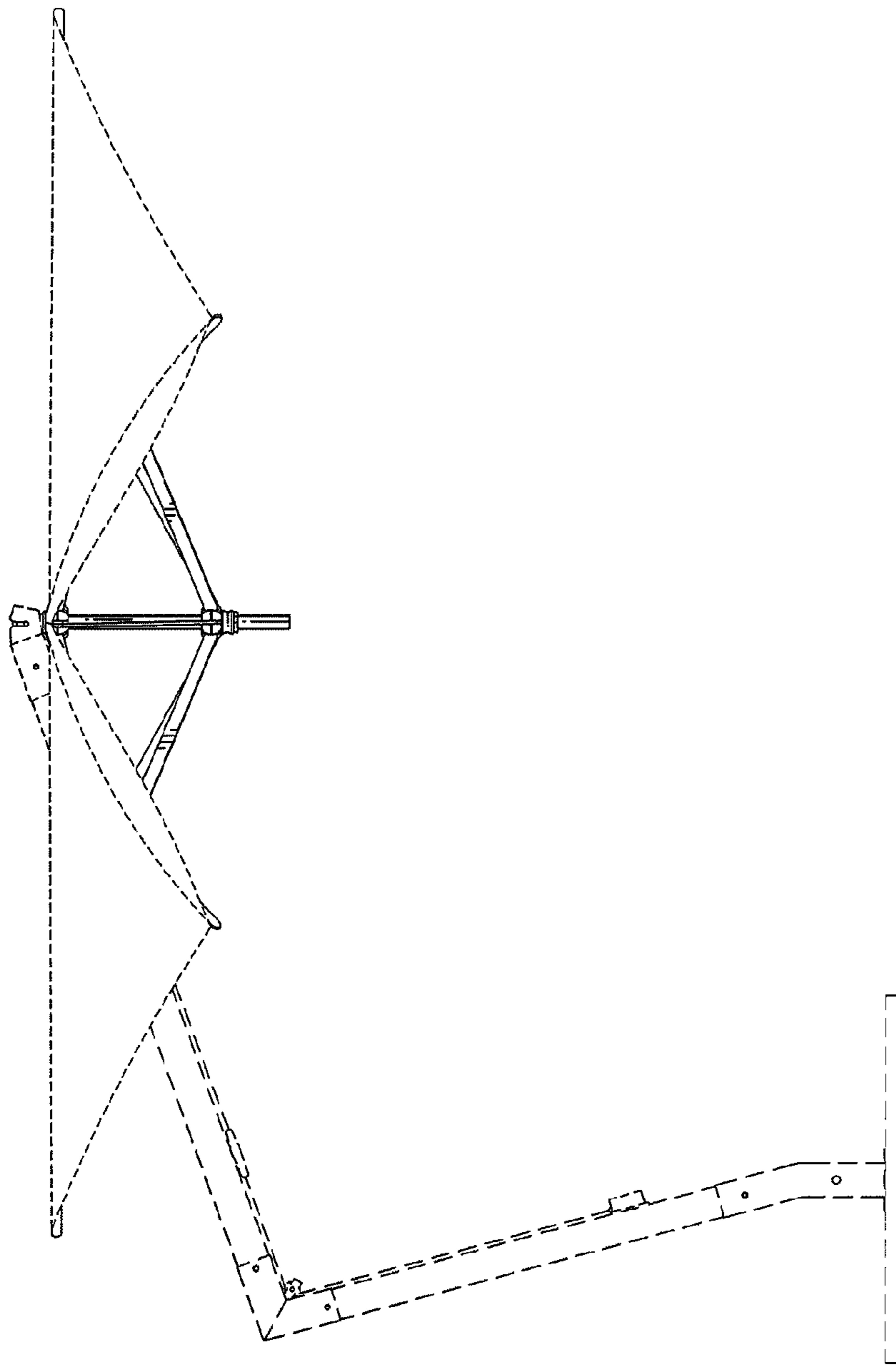


FIG. 10