



US00D650983S

(12) **United States Design Patent**  
**Waldman**

(10) **Patent No.:** **US D650,983 S**

(45) **Date of Patent:** **\*\* Dec. 27, 2011**

(54) **SHOE LACE FASTENING SYSTEM**

(76) **Inventor:** **Charlton J. Waldman**, New York, NY  
(US)

(\*\*) **Term:** **14 Years**

(21) **Appl. No.:** **29/362,997**

(22) **Filed:** **Jun. 3, 2010**

(51) **LOC (9) Cl.** ..... **02-99**

(52) **U.S. Cl.** ..... **D2/978; D2/946**

(58) **Field of Classification Search** ..... D2/896,  
D2/902, 906-908, 943, 944, 946, 976, 978;  
36/45-49, 50.1, 77 M, 77 R, 83, 88, 113,  
36/114, 126-131; D11/201, 218, 220, 229  
See application file for complete search history.

(56) **References Cited**

**U.S. PATENT DOCUMENTS**

108,491	A *	10/1870	Ford et al.	.....	D2/978
318,481	A *	5/1885	Kessel	.....	D2/978
528,464	A *	10/1894	Craig	.....	D2/978
1,235,820	A *	8/1917	Leibe	.....	D11/218
D75,710	S *	7/1928	Ballou et al.	.....	D2/978
1,722,140	A *	7/1929	Gans	.....	D11/218
2,650,399	A *	9/1953	Torelli	.....	D2/978
2,807,085	A *	9/1957	Combs	.....	D11/218
D210,649	S *	4/1968	Getgey	.....	D2/978
D284,900	S *	8/1986	Chalmers et al.	.....	D11/200

D327,455	S *	6/1992	Blair	.....	D11/216
D328,668	S *	8/1992	Legrand	.....	D2/978
D395,596	S *	6/1998	Butera	.....	D11/218
D480,327	S *	10/2003	Hollinger	.....	D11/218
D622,180	S *	8/2010	Cresswell	.....	D11/218

\* cited by examiner

*Primary Examiner* — Dominic Simone

(74) *Attorney, Agent, or Firm* — Nixon Peabody LLP; David F. Crosby

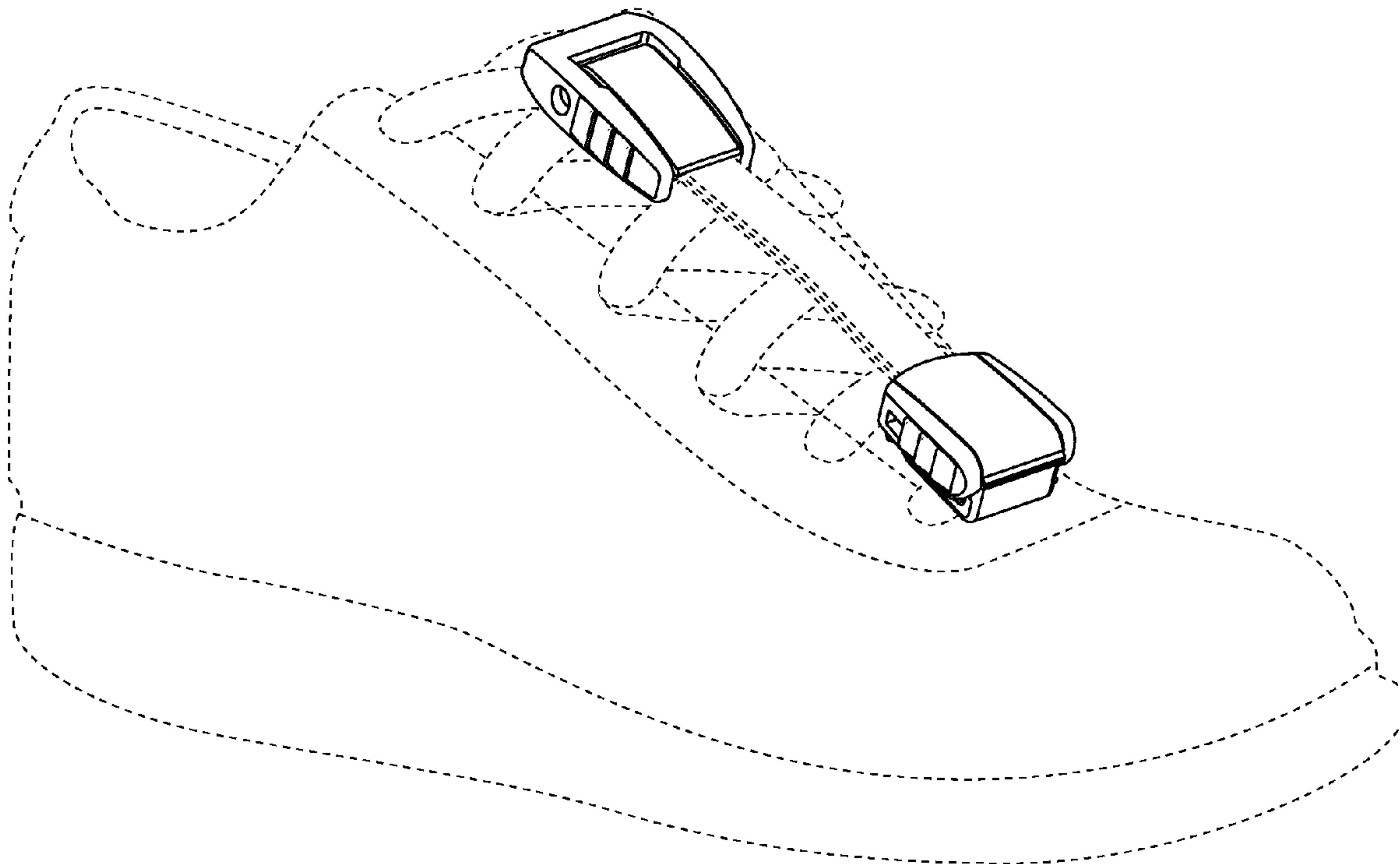
(57) **CLAIM**

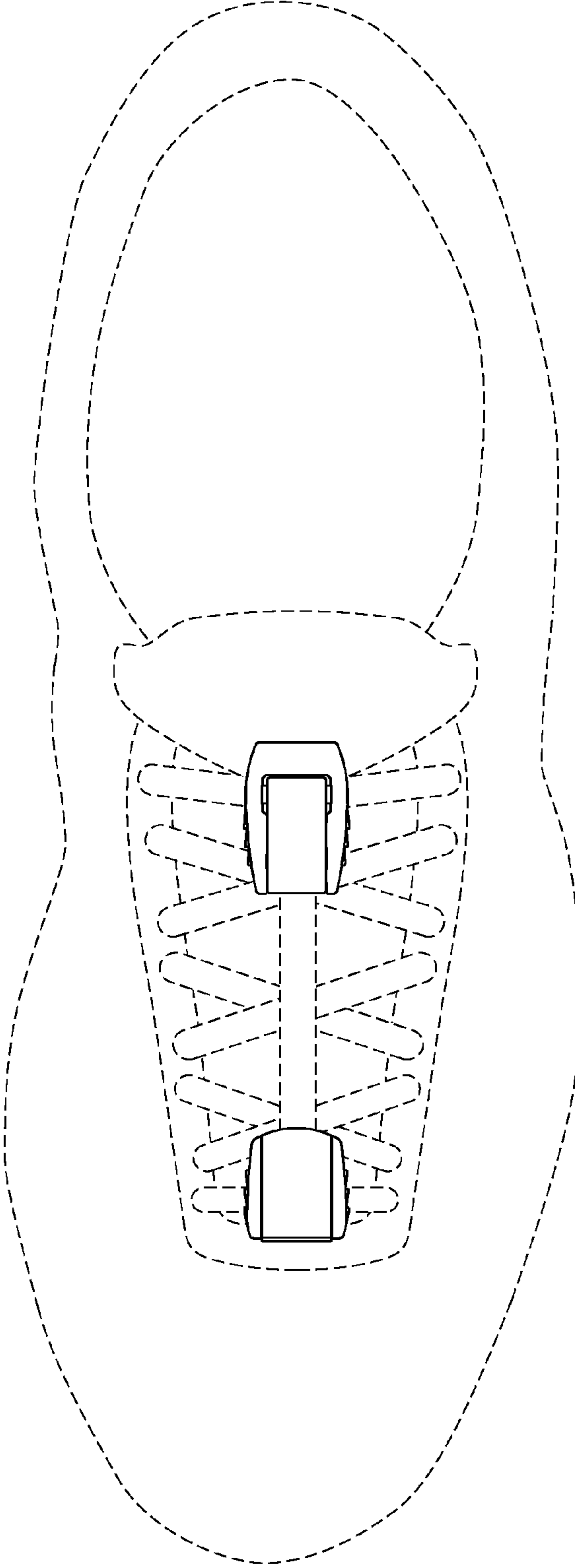
We claim the ornamental design for a shoe lace fastening system, as shown and described.

**DESCRIPTION**

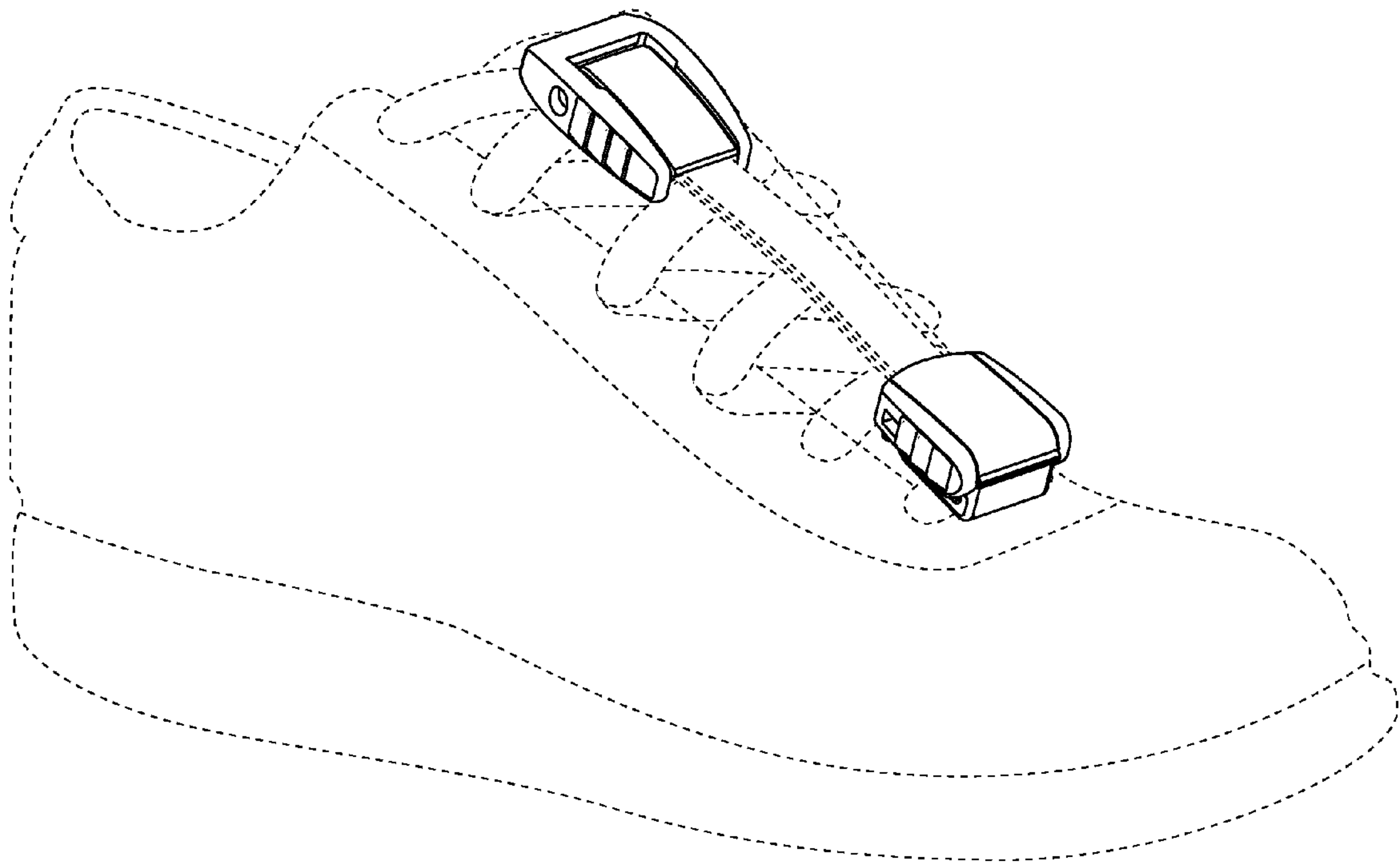
FIG. 1 is a top view of a shoe lace fastening system;  
FIG. 2 is an isometric view of a shoe lace fastening system;  
FIG. 3 is a top view of a shoe lace fastening system;  
FIG. 4 is a bottom view of the shoe lace catching part of a shoe lace fastening system;  
FIG. 5 is a side view of a shoe lace fastening system;  
FIG. 6 is a top view of the shoe lace clamping part of a shoe lace fastening system; and,  
FIG. 7 is a back view of a shoe lace fastening system.  
Any broken line illustrations in the drawings are not part of the design sought to be patented, and are for illustrative purposes only.

**1 Claim, 3 Drawing Sheets**

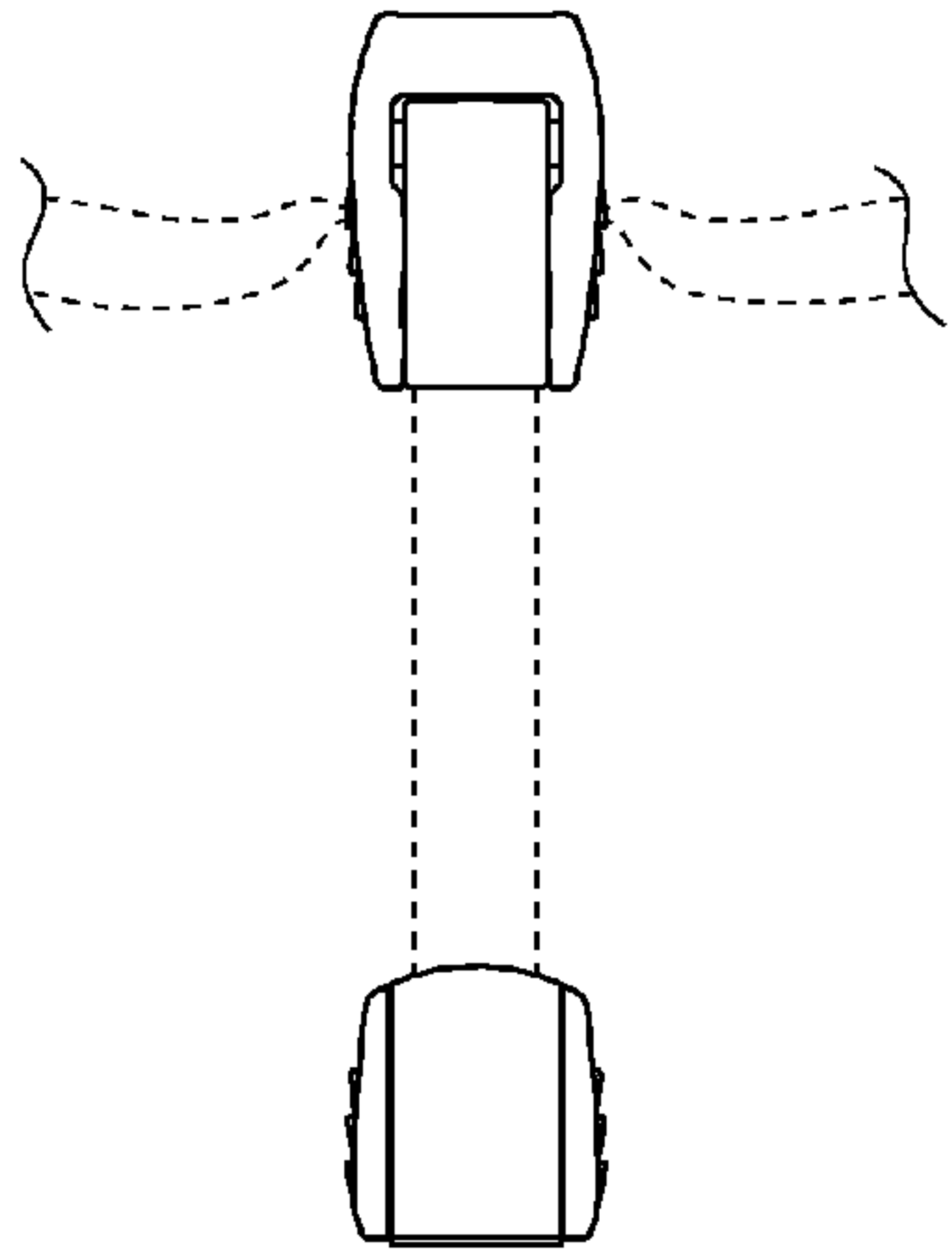




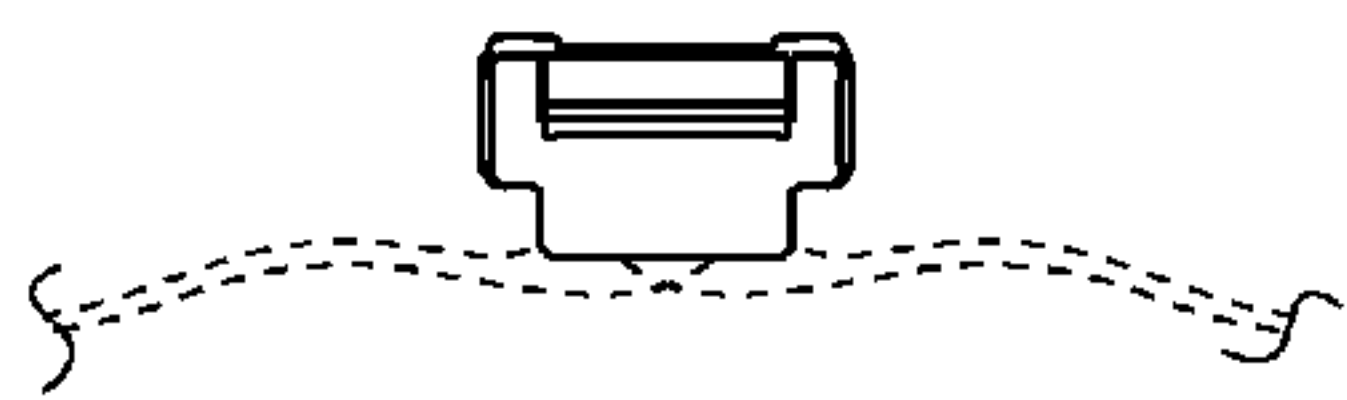
*Figure 1*



*Figure 2*



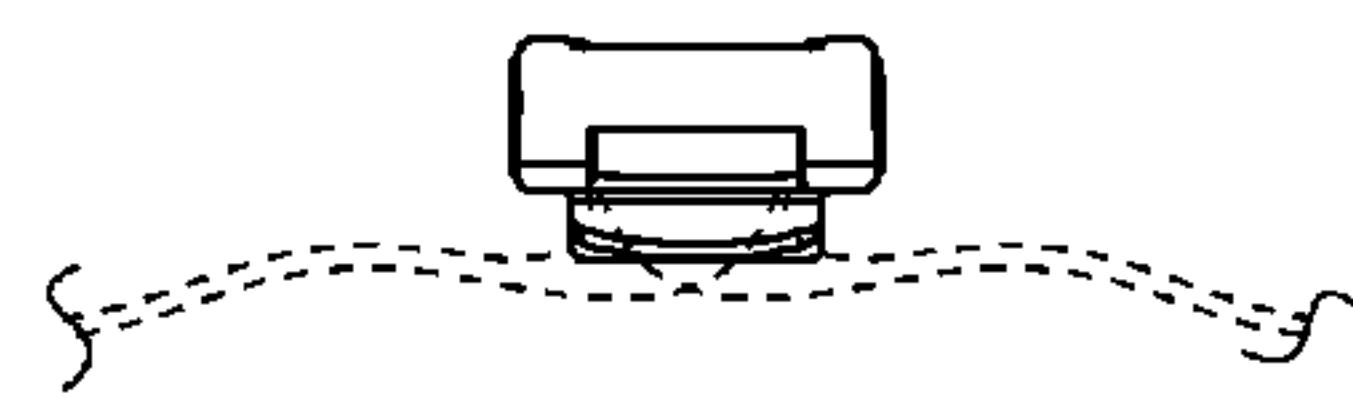
*Figure 3*



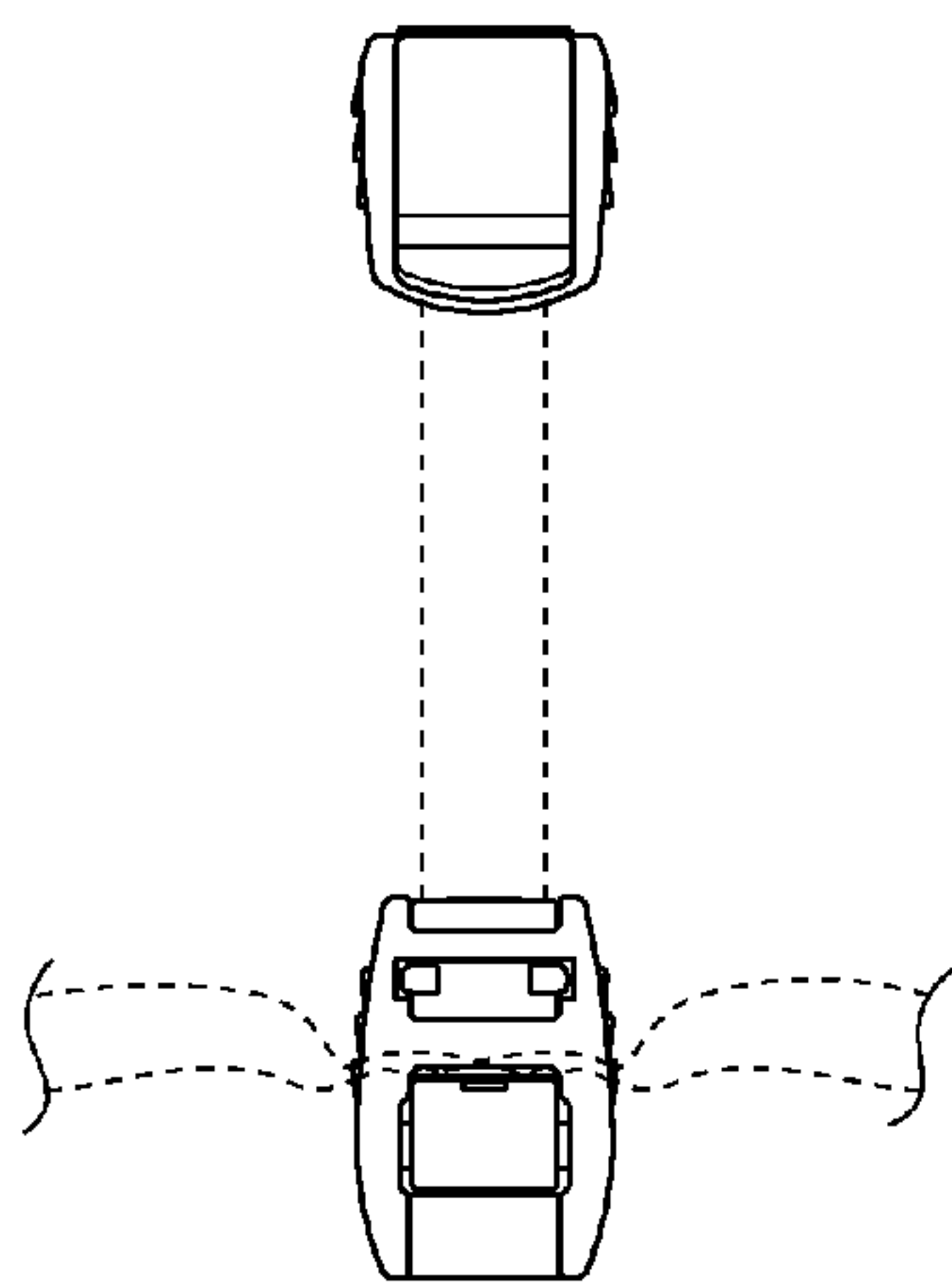
*Figure 4*



*Figure 5*



*Figure 6*



*Figure 7*