



US00D650969S

(12) **United States Design Patent**
Wong

(10) **Patent No.:** **US D650,969 S**

(45) **Date of Patent:** **** Dec. 27, 2011**

(54) **SOCK SUPPORT**

(75) Inventor: **Kien Wong**, Logan, UT (US)

(73) Assignee: **Ong Investment LC**, Logan, UT (US)

(**) Term: **14 Years**

(21) Appl. No.: **29/360,496**

(22) Filed: **Apr. 27, 2010**

(51) **LOC (9) Cl.** **02-07**

(52) **U.S. Cl.** **D2/624**

(58) **Field of Classification Search** D2/624-625,
D2/901, 946, 972, 976, 980-994; 2/239-241,
2/336; 36/8.3, 11.5, 58.5, 72 R, 89; 66/185-186;
602/23, 27, 63, 65
See application file for complete search history.

(56) **References Cited**

U.S. PATENT DOCUMENTS

430,982	A *	6/1890	Ziegler	36/58.5
702,476	A *	6/1902	Price	36/72 R
1,196,281	A *	8/1916	Quarters	36/58.5
D53,233	S *	4/1919	Benedetti	D2/946
1,655,715	A *	1/1928	Sneeston	36/58.5
2,233,544	A *	3/1941	McKinley	359/519
2,446,902	A *	8/1948	Brand	602/63
2,526,940	A *	10/1950	Fello	36/11.5
D162,775	S *	4/1951	Beauchemin	D2/994
2,708,930	A *	5/1955	Lowman	602/27
3,699,959	A *	10/1972	Garrahan et al.	602/65
4,253,317	A	3/1981	Howard et al.	
4,393,522	A *	7/1983	Calabrese	2/336
4,461,288	A *	7/1984	Curtis	602/23
4,854,056	A *	8/1989	Levin	36/58.5
4,870,708	A	10/1989	Staley	
5,473,781	A *	12/1995	Greenberg	2/239
D385,102	S *	10/1997	Avar	D2/972
D397,863	S *	9/1998	Van De Steeg	D2/987
5,867,839	A *	2/1999	Lawlor	2/240
5,966,842	A *	10/1999	Hart, Jr.	36/58.5
D441,949	S *	5/2001	Lavitt et al.	D2/980

6,228,045	B1 *	5/2001	Gaylord et al.	602/27
6,379,321	B2 *	4/2002	Gaylord et al.	602/27
D460,612	S *	7/2002	Duffy	D2/976
6,536,051	B1	3/2003	Oh	
6,805,681	B2 *	10/2004	Yokoyama	602/65
D513,116	S *	12/2005	Gaither	D2/989
7,082,703	B2 *	8/2006	Greene et al.	36/89
D577,829	S *	9/2008	Reinhardt et al.	D24/192
D590,590	S *	4/2009	Bonzagni et al.	D2/980
D595,049	S *	6/2009	Rice	D2/994
7,562,541	B2 *	7/2009	Hermanson et al.	66/186
7,614,126	B2 *	11/2009	Gerhardt	24/712
D613,491	S *	4/2010	Hollingsworth et al.	D2/980
7,775,069	B1 *	8/2010	Hermanson et al.	66/186
D624,300	S *	9/2010	Hollingsworth et al.	D2/980
D636,154	S *	4/2011	Teichert et al.	D2/901
2009/0013450	A1 *	1/2009	Lambertz	2/239

* cited by examiner

Primary Examiner — T. Chase Nelson

Assistant Examiner — Kathleen M Sims

(74) *Attorney, Agent, or Firm* — Thorpe North & Western LLP

(57) **CLAIM**

The ornamental design for a sock support, as shown and described.

DESCRIPTION

FIG. 1 is a perspective view of a sock support showing my new design.

FIG. 2 is a left side view thereof;

FIG. 3 is a right side view thereof;

FIG. 4 is a front view thereof;

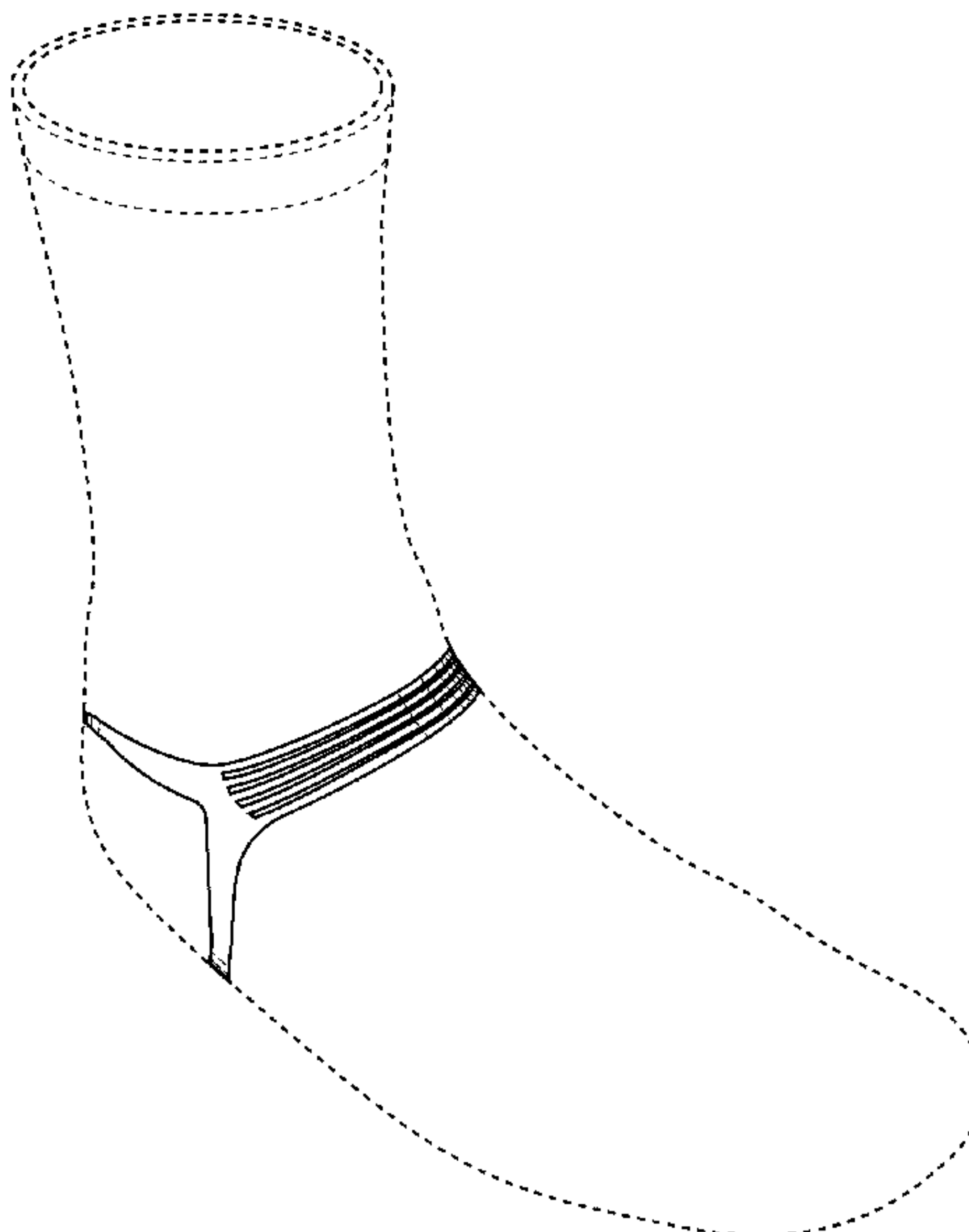
FIG. 5 is a rear view thereof;

FIG. 6 is a top view thereof; and,

FIG. 7 is a bottom view thereof.

The broken line showing of a sock in FIGS. 1-7 is included for the purpose of showing environmental structure that forms no part of the claimed design.

1 Claim, 5 Drawing Sheets



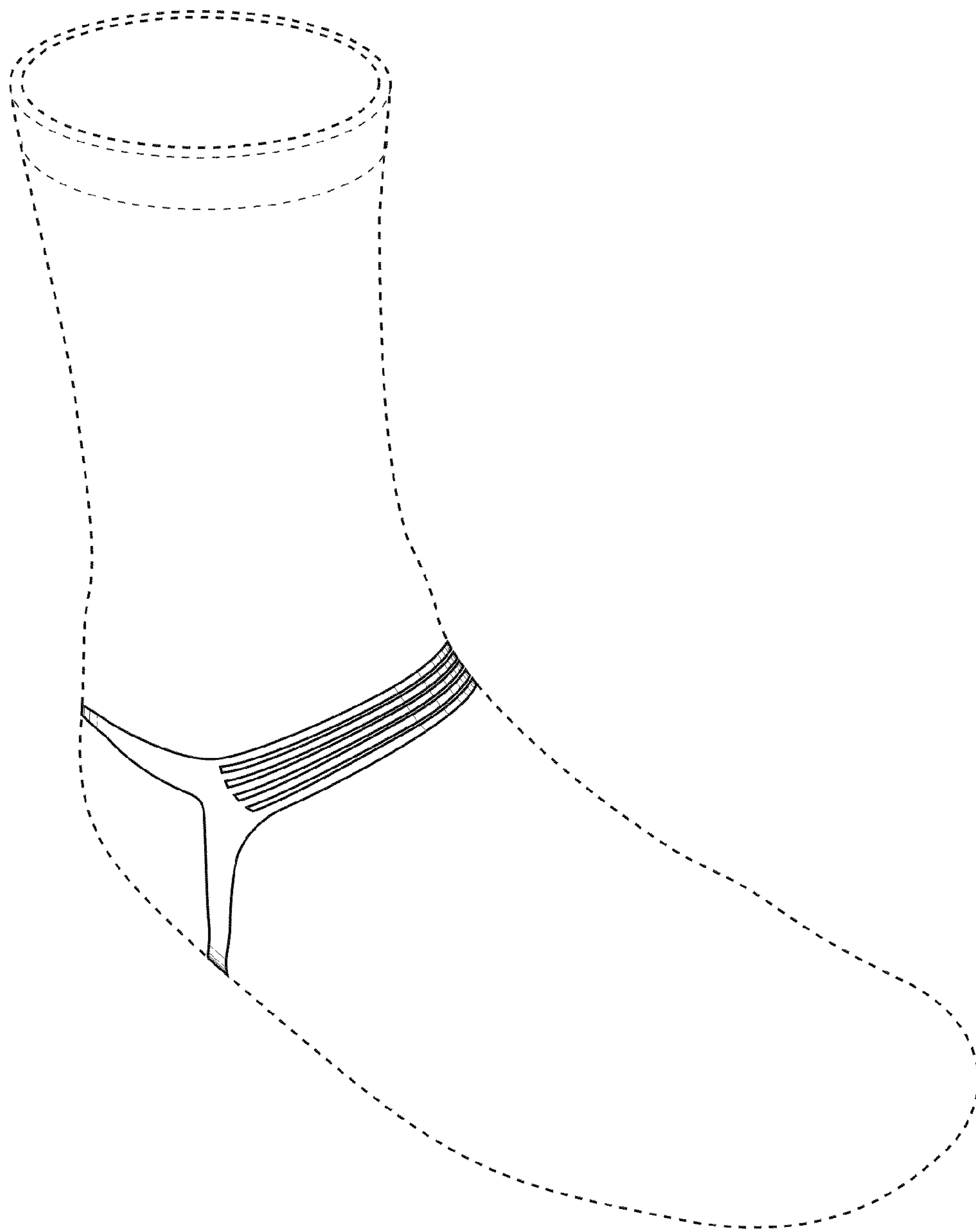


Fig. 1

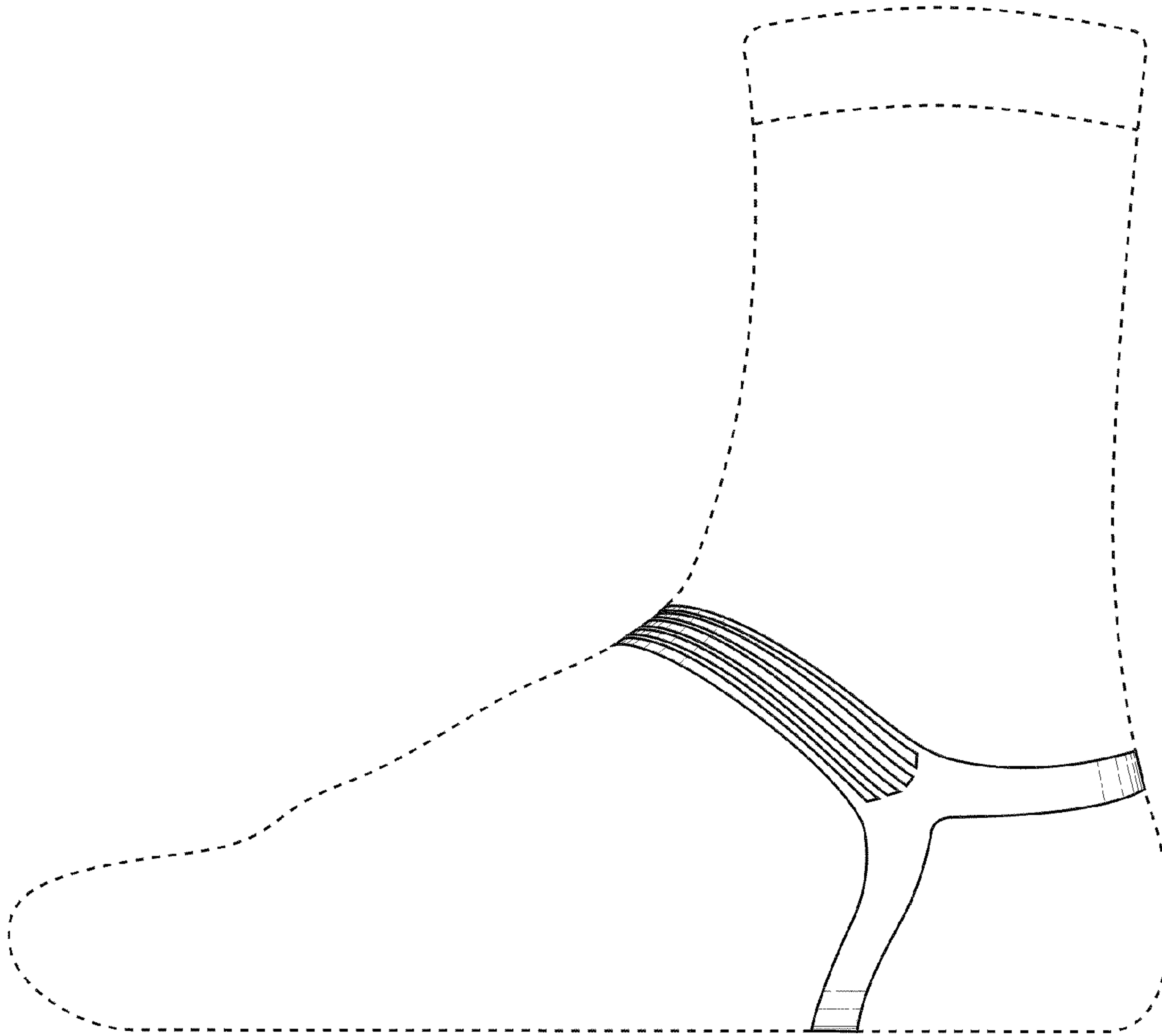


Fig. 2

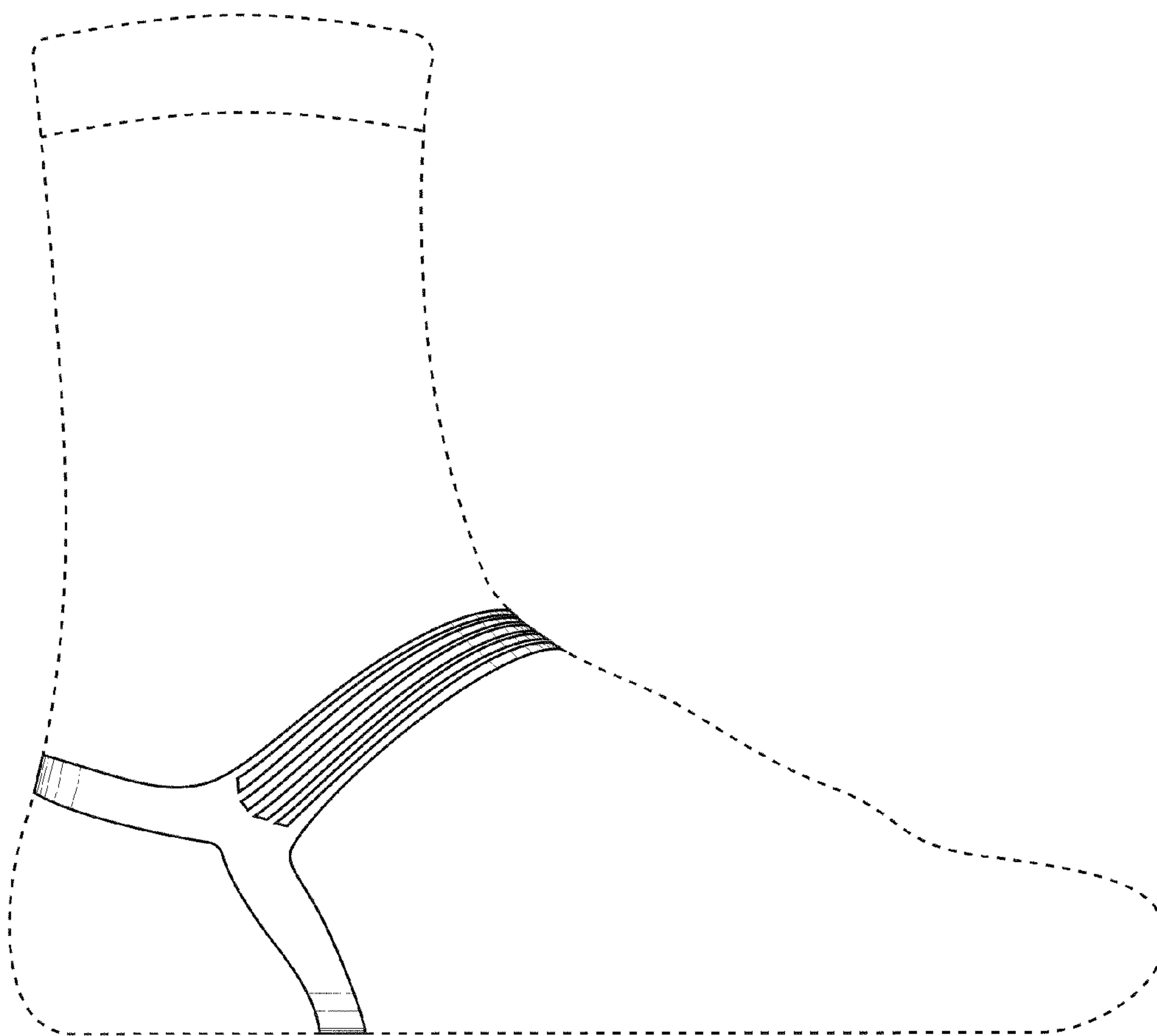


Fig. 3

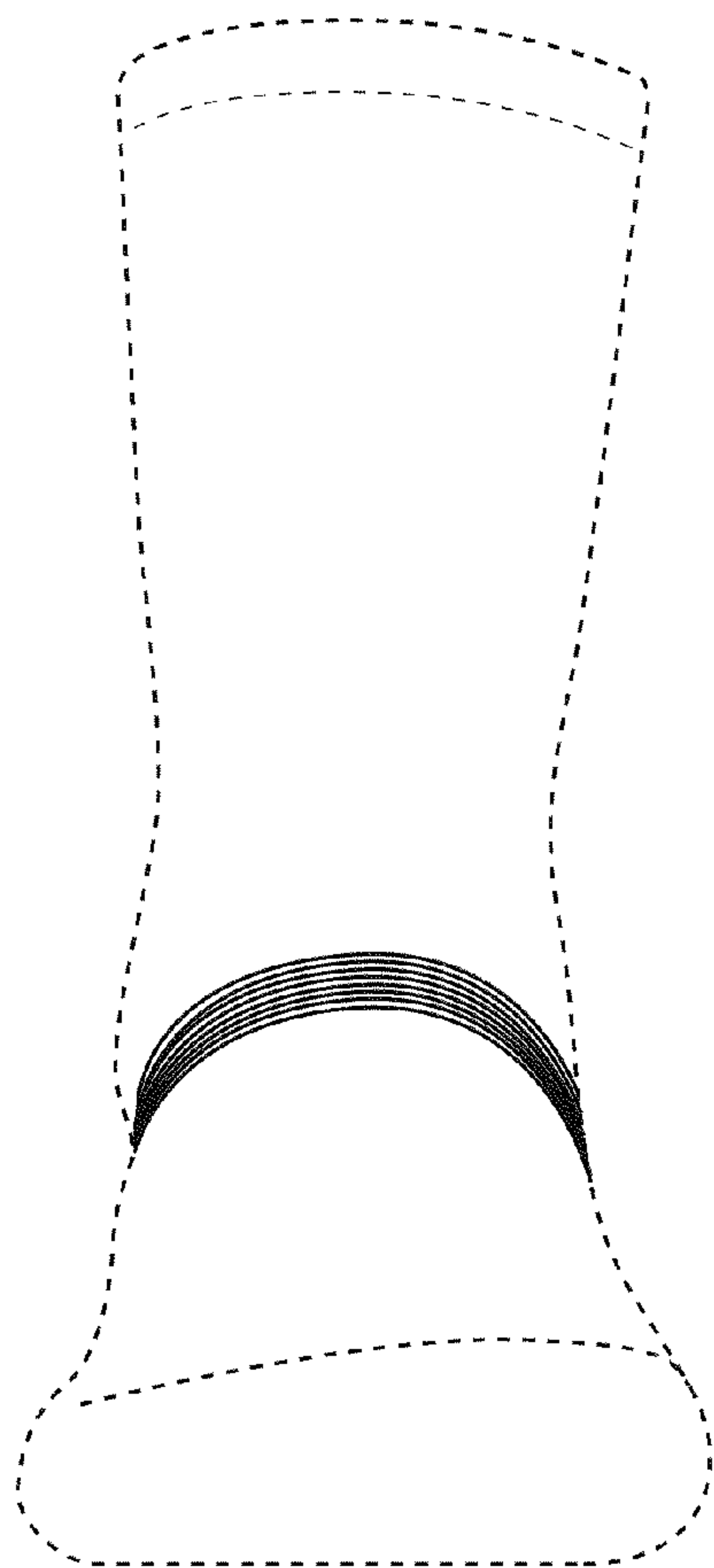


Fig. 4

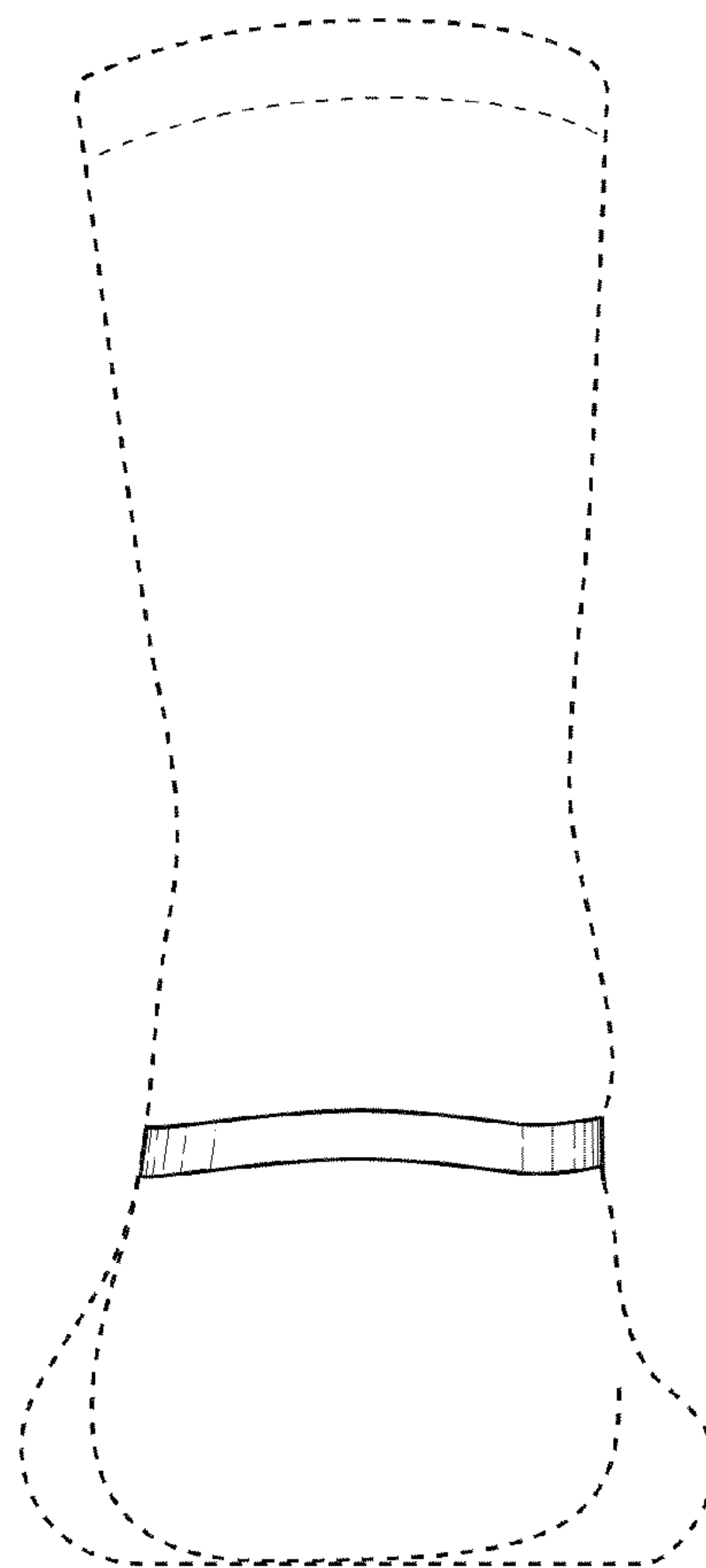


Fig. 5

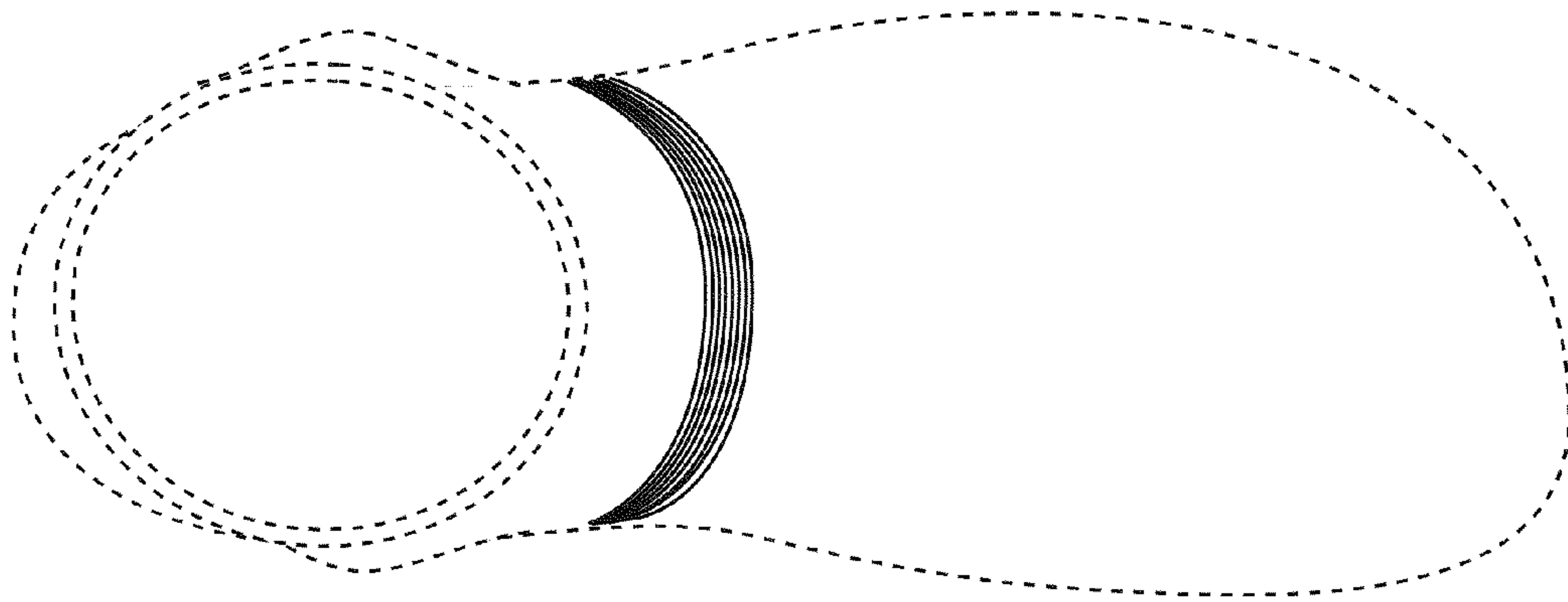


Fig. 6

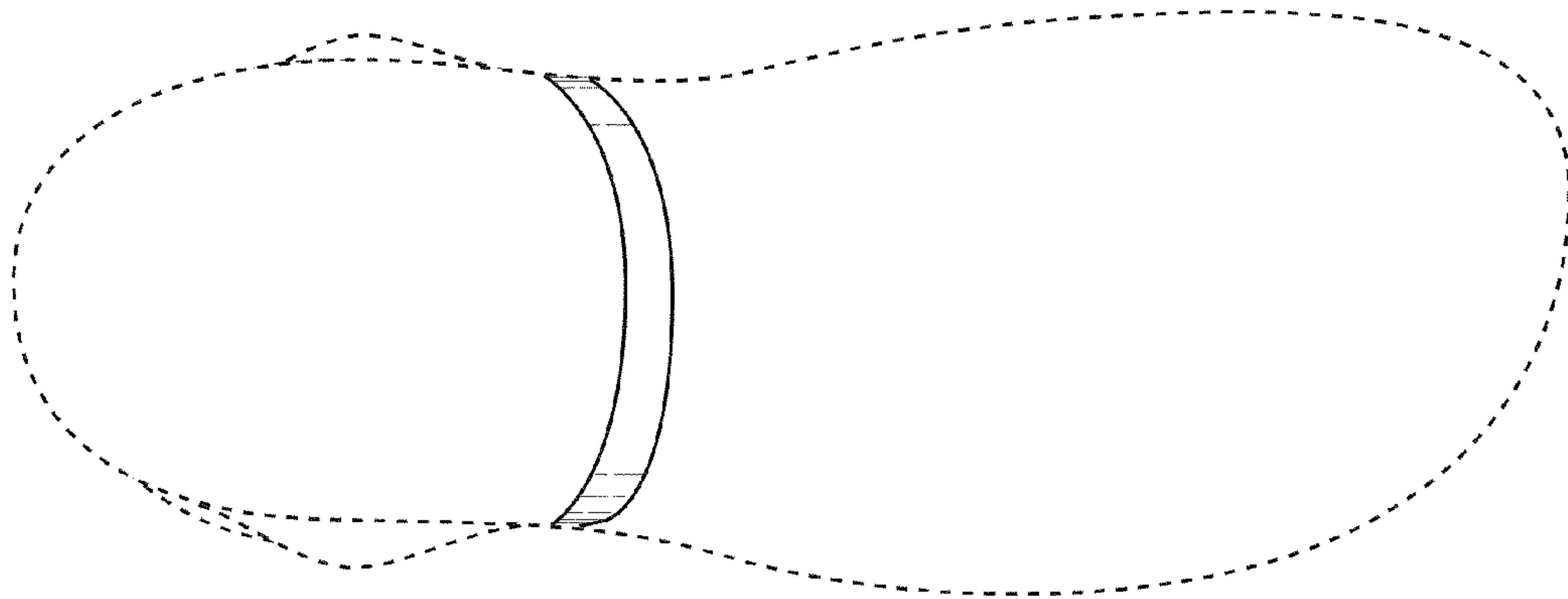


Fig. 7