

US00D650965S

(12) **United States Design Patent**
Parker et al.

(10) **Patent No.:** **US D650,965 S**

(45) **Date of Patent:** **** Dec. 20, 2011**

- (54) **VAULT**
- (75) Inventors: **Daniel J. Parker**, Connerville, IN (US);
Ilija Rojdev, Cincinnati, OH (US)
- (73) Assignee: **Batesville Services, Inc.**, Batesville, IN
(US)
- (**) Term: **14 Years**
- (21) Appl. No.: **29/377,358**
- (22) Filed: **Oct. 20, 2010**
- (51) **LOC (9) Cl.** **99-00**
- (52) **U.S. Cl.** **D99/17; D99/1**
- (58) **Field of Classification Search** D99/1,
D99/5, 10, 17; 27/2, 3, 4, 5, 6, 7, 8, 9, 35;
220/608; 52/131, 139, 140
See application file for complete search history.

- D240,640 S 7/1976 Clark et al.
- 4,060,581 A 11/1977 Darby et al.
- D251,023 S 2/1979 Paris et al.
- 4,253,220 A * 3/1981 Work 27/35
- 4,261,083 A 4/1981 Darby et al.
- 4,288,952 A * 9/1981 Work 52/138
- 4,314,390 A 2/1982 Darby et al.
- D300,978 S 5/1989 Bethune et al.
- D303,032 S 8/1989 Clements
- 4,967,523 A 11/1990 Turpin
- 5,245,733 A 9/1993 Gorla
- D346,264 S 4/1994 Etzel et al.
- 5,321,873 A 6/1994 Gorla
- D355,520 S 2/1995 Harrill
- 5,454,141 A * 10/1995 Ozbun et al. 27/4
- 5,471,718 A * 12/1995 Harrill 27/7

(Continued)

OTHER PUBLICATIONS

U.S. Appl. No. 12/615,092, filed Nov. 9, 2009 titled Casket Vault.

(Continued)

Primary Examiner — Paula Greene
(74) *Attorney, Agent, or Firm* — Wood, Herron & Evans,
LLP

(56) **References Cited**

U.S. PATENT DOCUMENTS

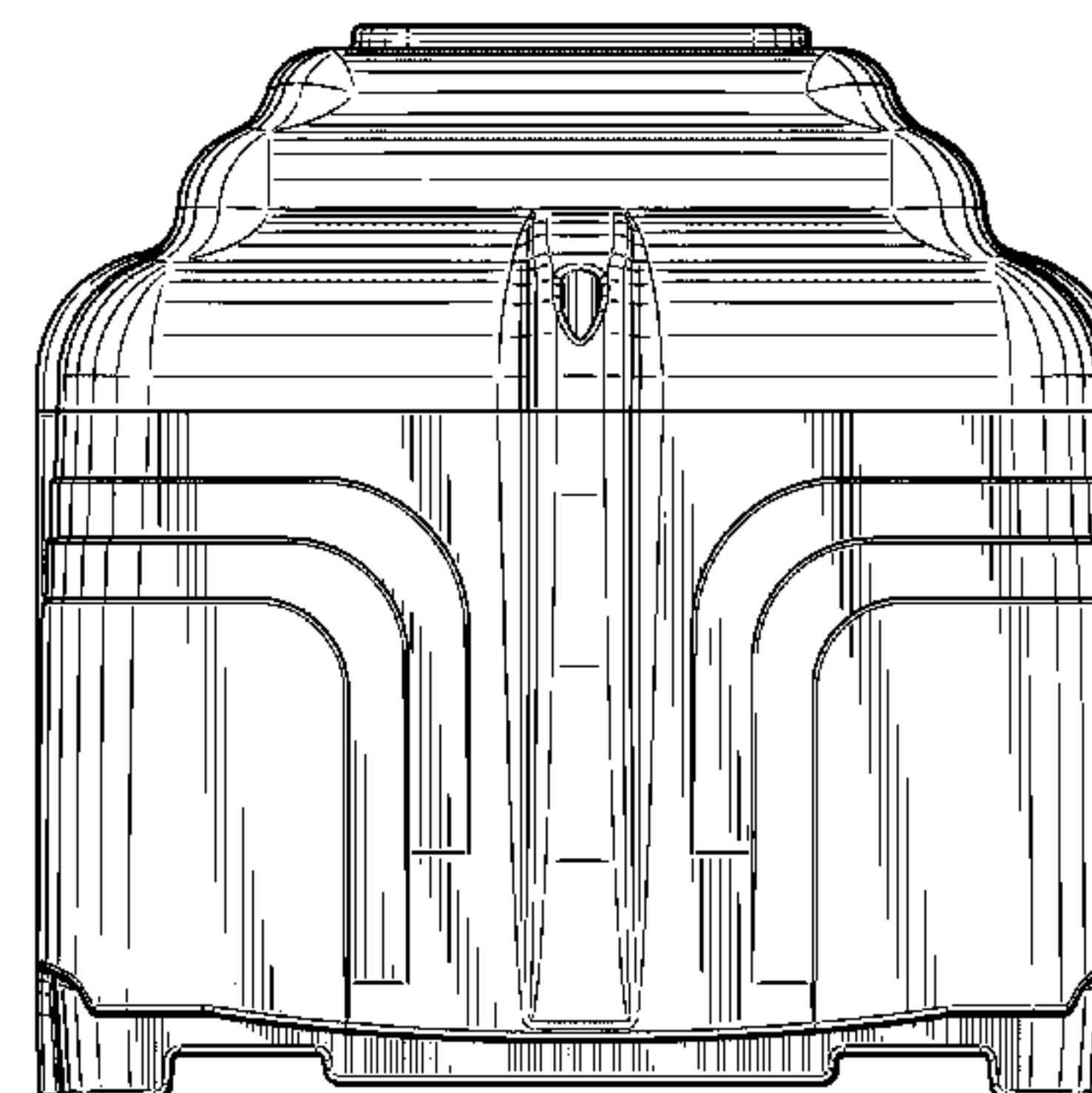
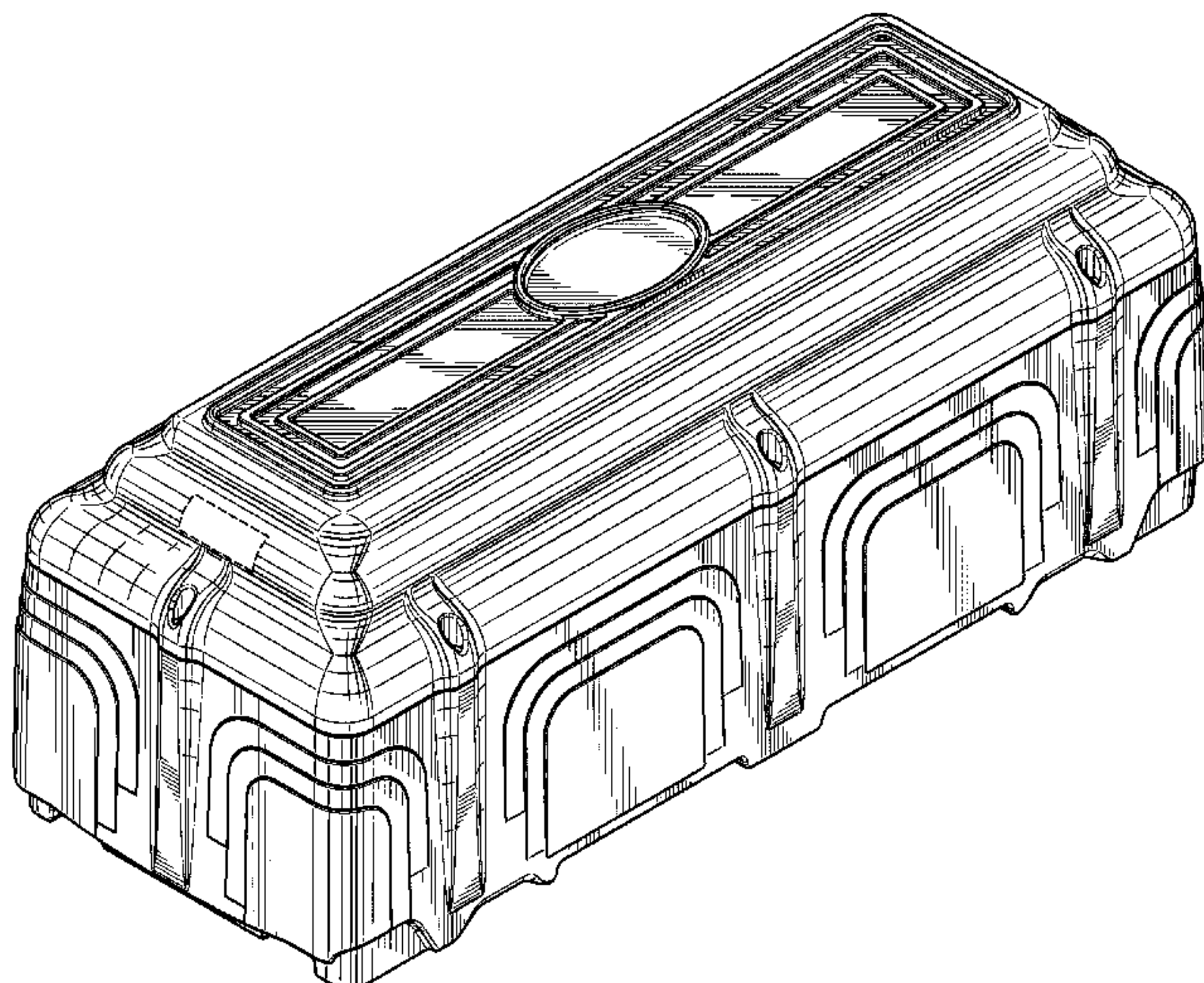
- 1,134,719 A * 4/1915 Benzing 27/6
- 1,485,557 A * 3/1924 Hanna 27/35
- 1,837,249 A * 12/1931 Barber 220/608
- D89,739 S * 5/1933 Bisantz D99/1
- 2,655,714 A 10/1953 Rench
- 2,940,156 A 6/1960 Cook
- 3,038,232 A 6/1962 Wean
- D199,842 S * 12/1964 Newmann et al. D99/1
- 3,208,186 A * 9/1965 Fulton et al. 52/140
- D203,539 S * 1/1966 Billman D99/1
- 3,253,312 A * 5/1966 Klosner 27/35
- 3,439,461 A 4/1969 Chandler et al.
- 3,504,409 A * 4/1970 Keller, Jr. 27/6
- 3,568,275 A * 3/1971 Carson, Jr. 27/12
- 3,570,082 A * 3/1971 Gruber 27/6
- D222,880 S * 1/1972 Madlem D99/1
- D223,903 S * 6/1972 Herricht D99/1
- D227,562 S * 7/1973 Pitt D99/1
- 3,839,768 A 10/1974 McQuestion
- 3,868,799 A * 3/1975 Hayward 52/131

(57) **CLAIM**
The ornamental design for a vault, as shown and described.

DESCRIPTION

FIG. 1 is a perspective view of one embodiment of our new, original and ornamental design for a vault.
FIG. 2 is an end view thereof.
FIG. 3 is an end view of the other end thereof.
FIG. 4 is a side view thereof, the other side view being identical thereto.
FIG. 5 is a top view thereof; and,
FIG. 6 is a bottom view thereof.
The broken lines form no part of the claimed design.

1 Claim, 5 Drawing Sheets



US D650,965 S

Page 2

U.S. PATENT DOCUMENTS

5,611,125 A 3/1997 Williams et al.
5,960,524 A * 10/1999 Darby et al. 27/35
D420,192 S * 2/2000 Cummings D99/1
6,282,763 B1 9/2001 Gorla
6,318,030 B1 * 11/2001 McClure et al. 52/136
6,453,626 B1 9/2002 Weilein et al.
D468,072 S 12/2002 Weilein et al.

7,093,396 B2 8/2006 Pazar
7,131,237 B2 11/2006 Pazar
D636,555 S * 4/2011 Eck D99/5

OTHER PUBLICATIONS

U.S. Appl. No. 61/394,932, filed Oct. 20, 2010 titled Vault and Vault/Casket Display.

* cited by examiner

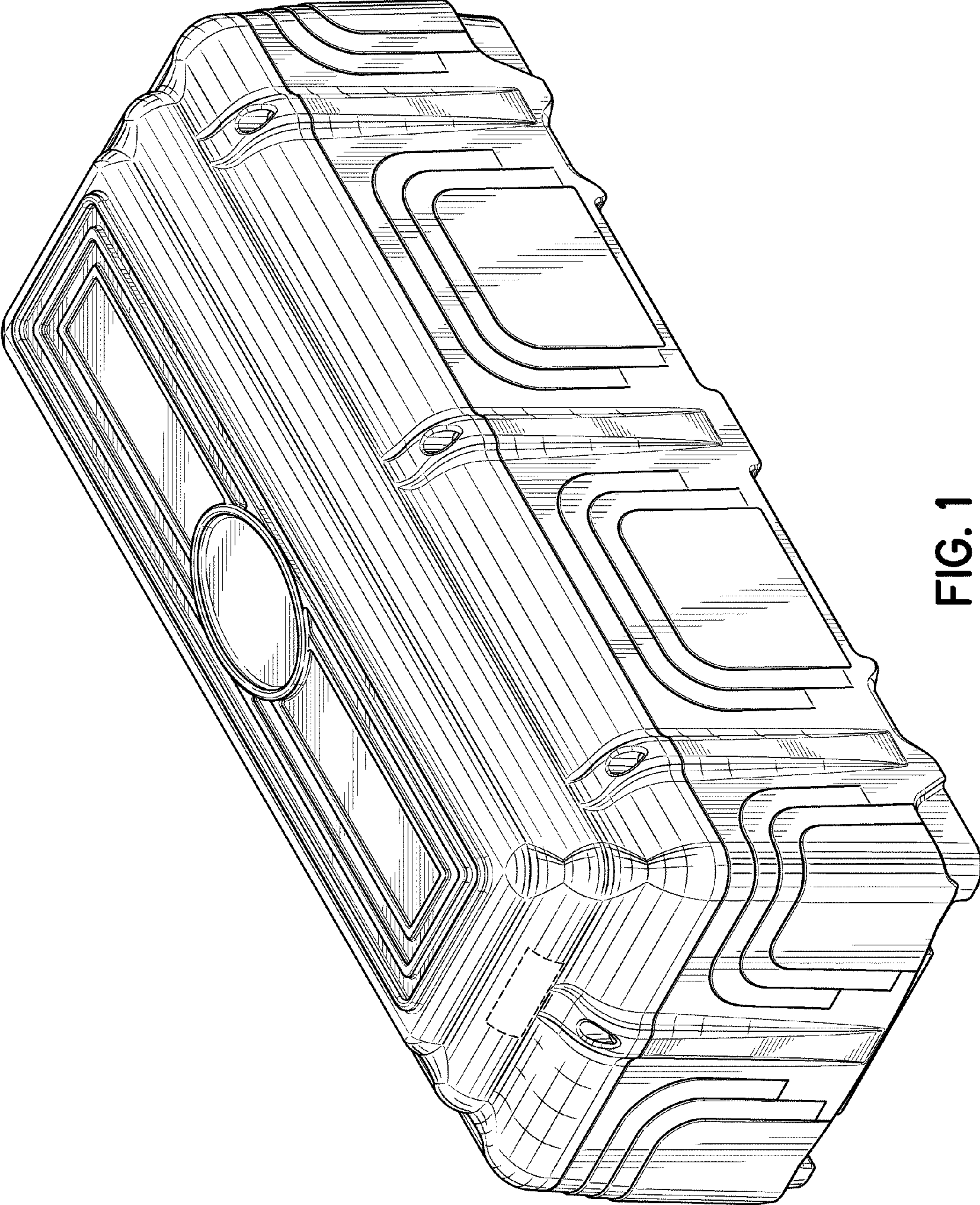


FIG. 1

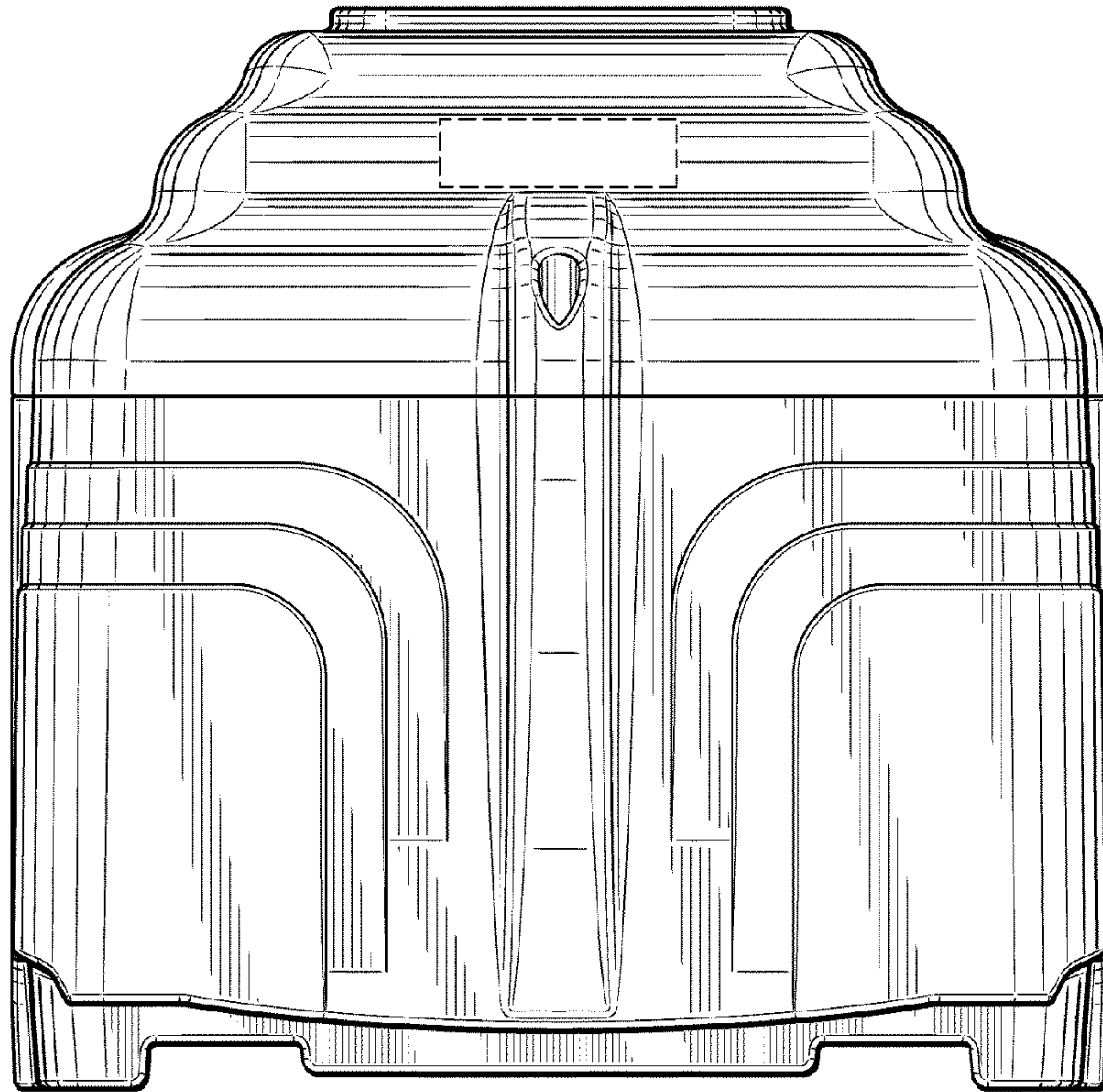


FIG. 2

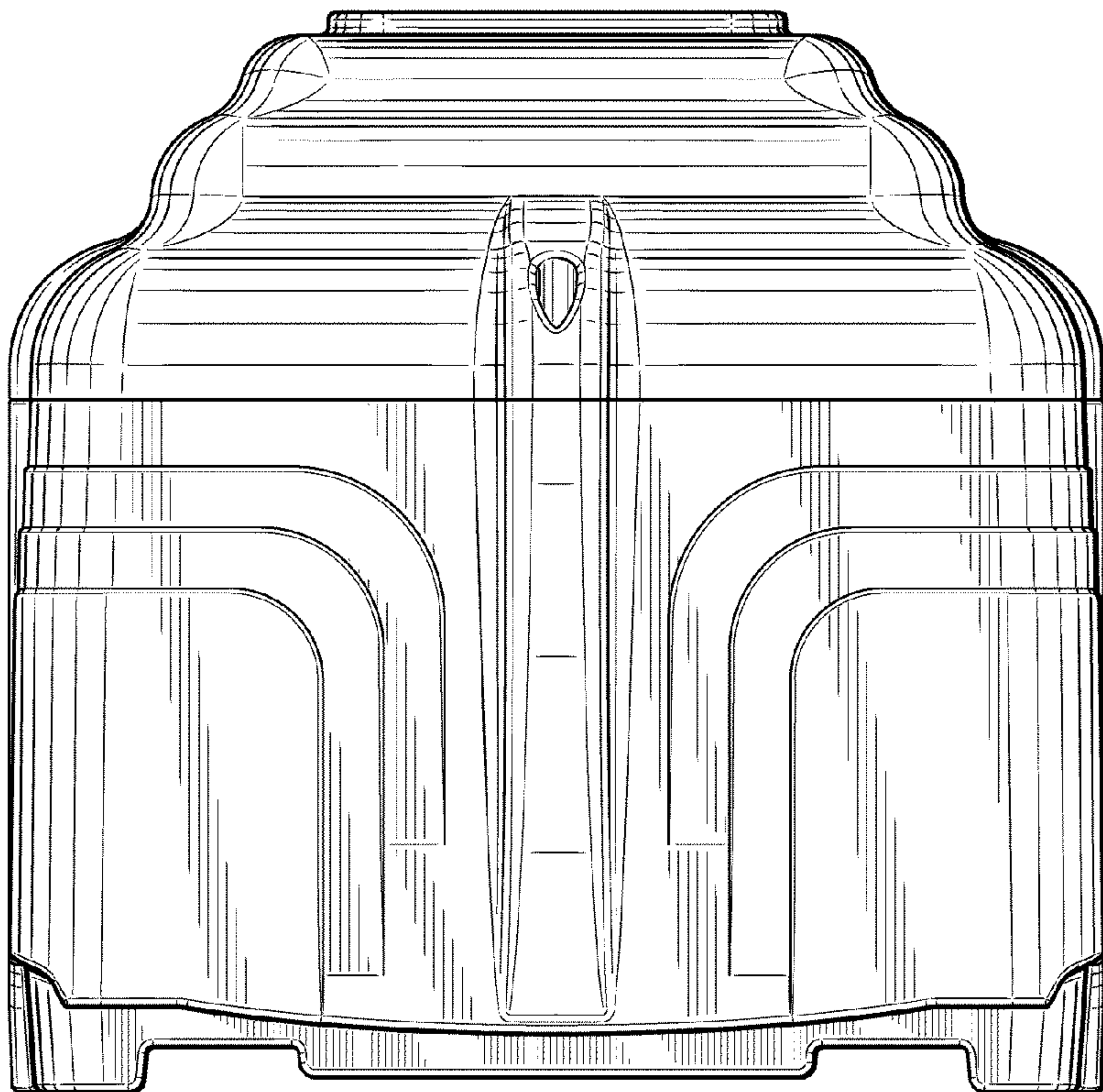


FIG. 3

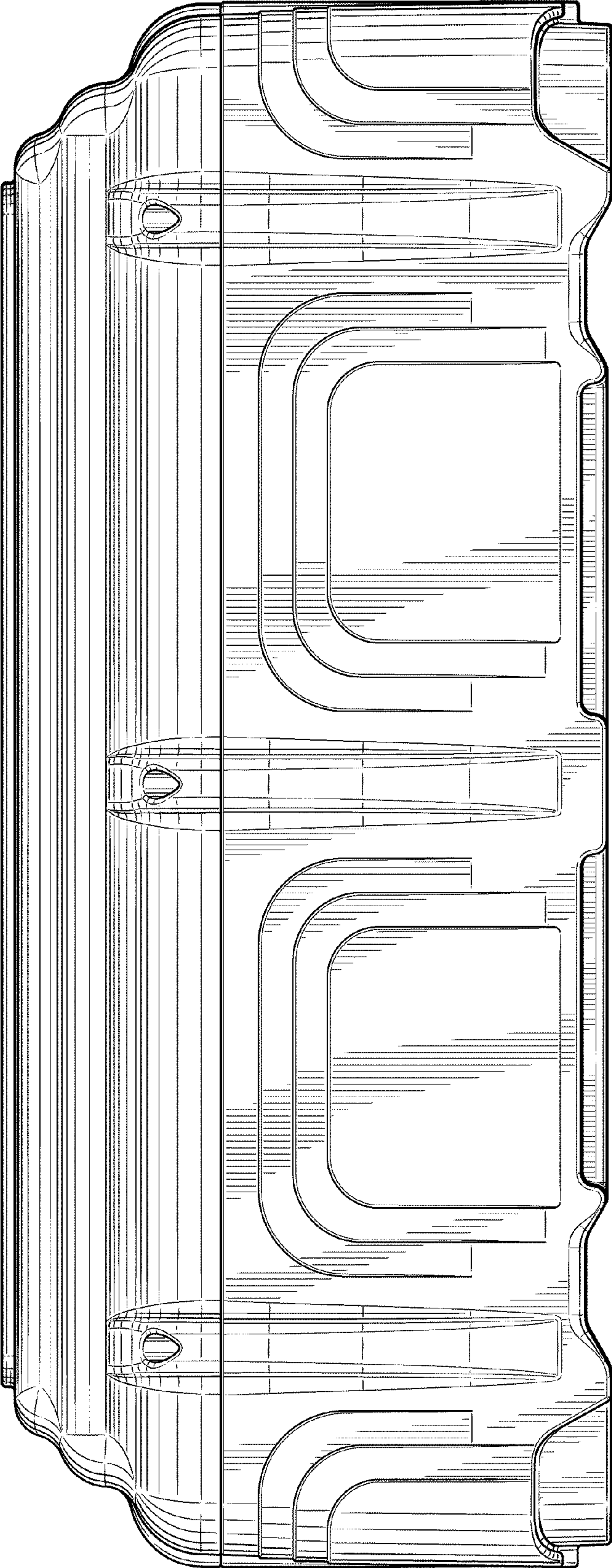


FIG. 4

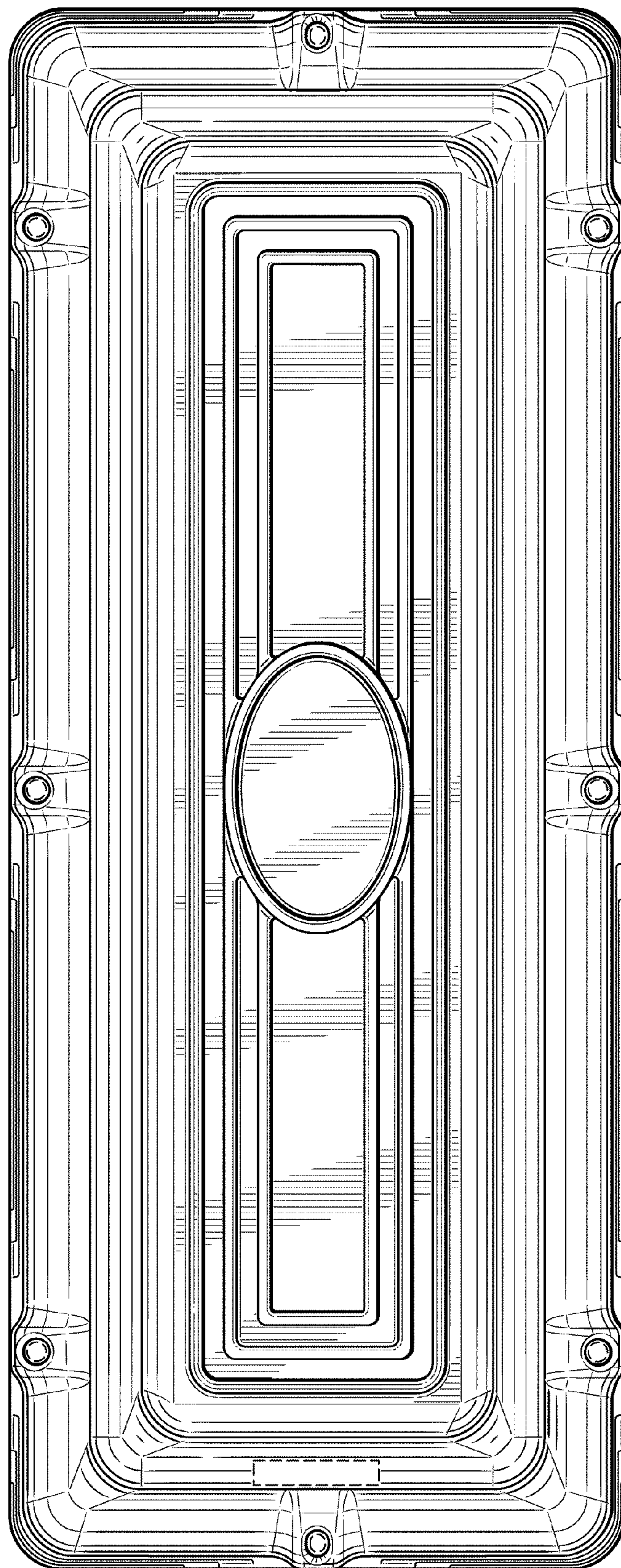


FIG. 5

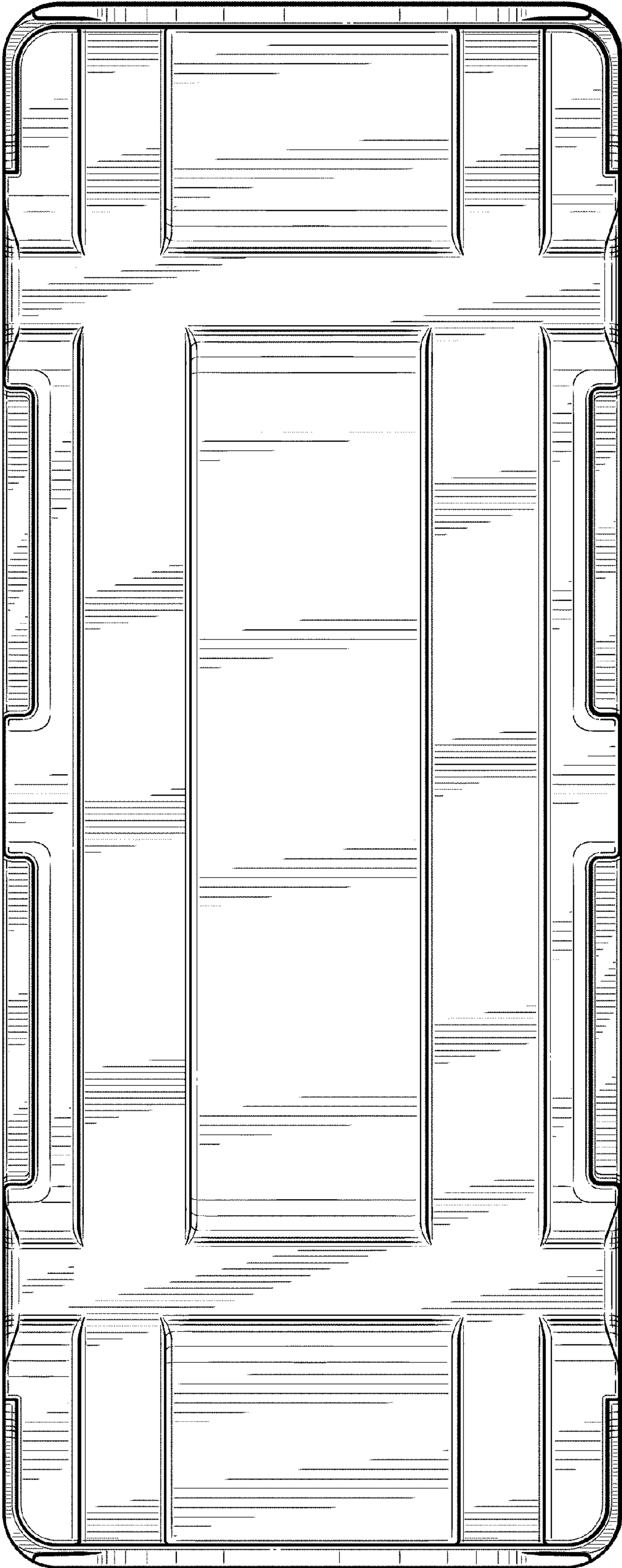


FIG. 6