



US00D650960S

(12) **United States Design Patent**
Gilbride et al.

(10) **Patent No.:** **US D650,960 S**

(45) **Date of Patent:** **** Dec. 20, 2011**

(54) **INTEGRAL DISPLAY MOUNT**

(75) Inventors: **Matthew I. Gilbride**, Raleigh, NC (US);
Gregory W. Smiley, Greene, NY (US)

(73) Assignee: **The Raymond Corporation**, Greene,
NY (US)

(**) Term: **14 Years**

(21) Appl. No.: **29/387,860**

(22) Filed: **Mar. 18, 2011**

(51) **LOC (9) Cl.** **12-05**

(52) **U.S. Cl.** **D34/35**

(58) **Field of Classification Search** D34/34,
D34/35; D12/174, 179; D21/48; D8/303;
280/43.12; 187/237, 238; 180/89.12, 89.13,
180/89.17

See application file for complete search history.

(56) **References Cited**

U.S. PATENT DOCUMENTS

D364,029	S	*	11/1995	Noonan et al.	D34/35
D384,478	S	*	9/1997	Prehn et al.	D34/35
5,964,313	A	*	10/1999	Guy	180/332
6,125,971	A	*	10/2000	Niebuhr et al.	187/231
D492,833	S	*	7/2004	Henshaw et al.	D34/34
D497,463	S	*	10/2004	Swetish	D34/35

D563,074	S	*	2/2008	Standke	D34/35
D600,425	S	*	9/2009	Smiley et al.	D34/35
D605,374	S	*	12/2009	Nishikawa et al.	D34/34
D626,714	S	*	11/2010	Standke	D34/35
2006/0232030	A1	*	10/2006	Passeri	280/43.12
2011/0139546	A1	*	6/2011	Look	187/237

* cited by examiner

Primary Examiner — Cynthia Ramirez

(74) *Attorney, Agent, or Firm* — Quarles & Brady LLP

(57) **CLAIM**

The ornamental design for an integral display mount, as shown and described.

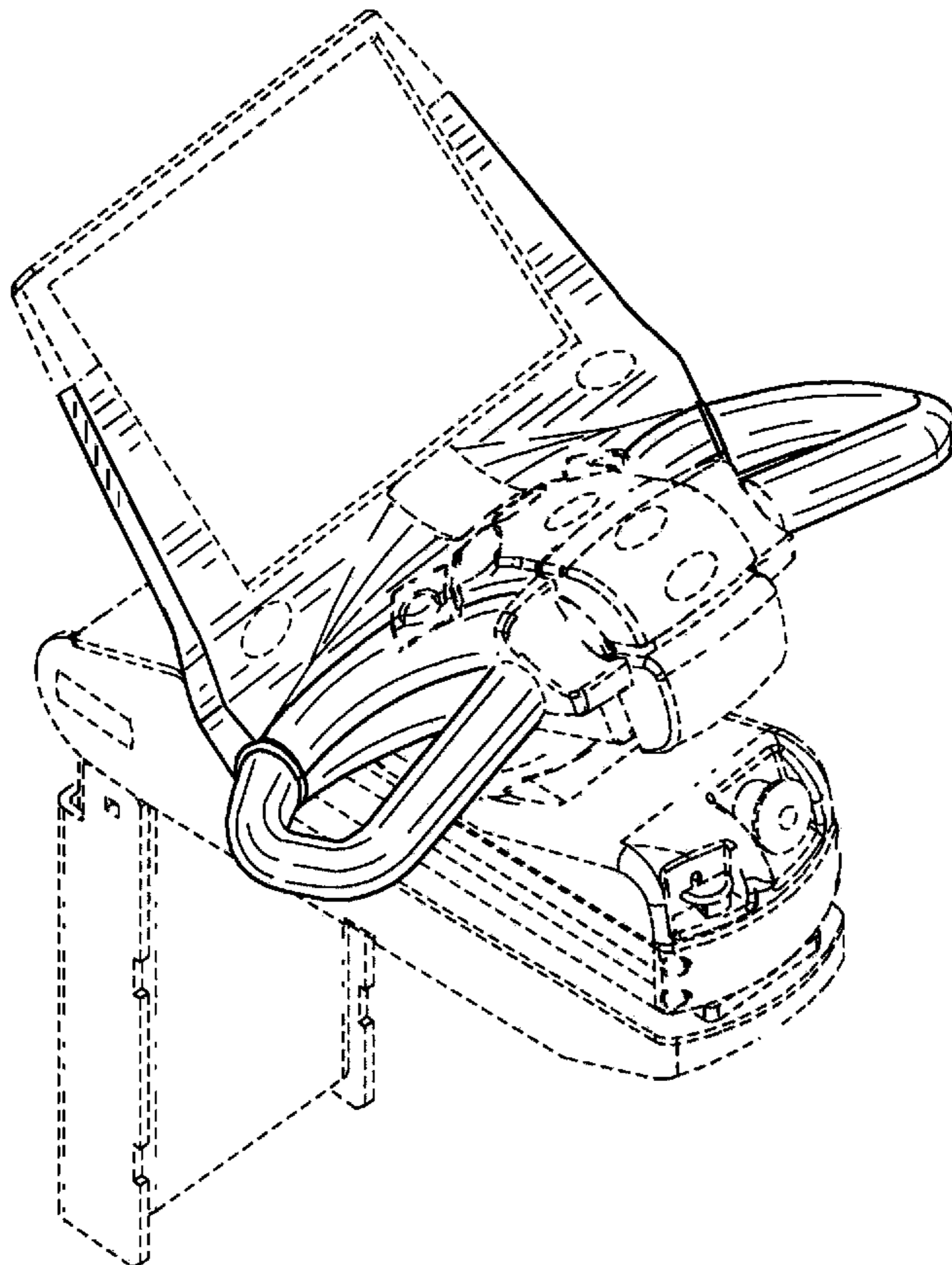
DESCRIPTION

FIG. 1 is a top, left, front perspective view of an integral display mount embodying our new design; FIG. 2 is a left elevational view thereof, the right elevational view being a mirror image thereof; FIG. 3 is a front elevational view thereof; FIG. 4 is a rear elevational view thereof; FIG. 5 is a top plan view thereof; and, FIG. 6 is a bottom plan view thereof.

The broken line representations in the views are for illustrative purposes only and form no part of the claimed design.

In a preferred embodiment, the nature of this product is an integral display mount for a material handling vehicle.

1 Claim, 6 Drawing Sheets



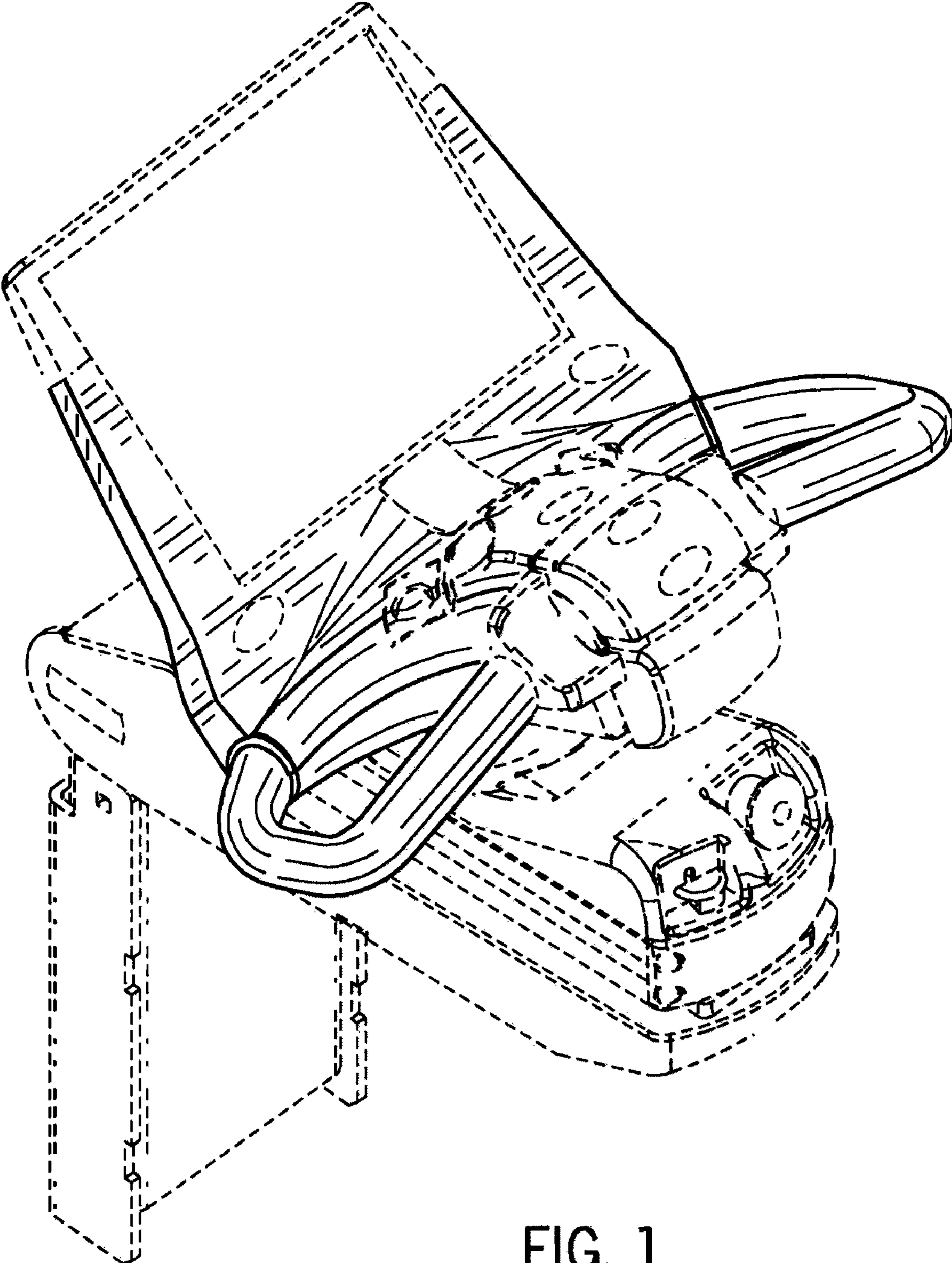
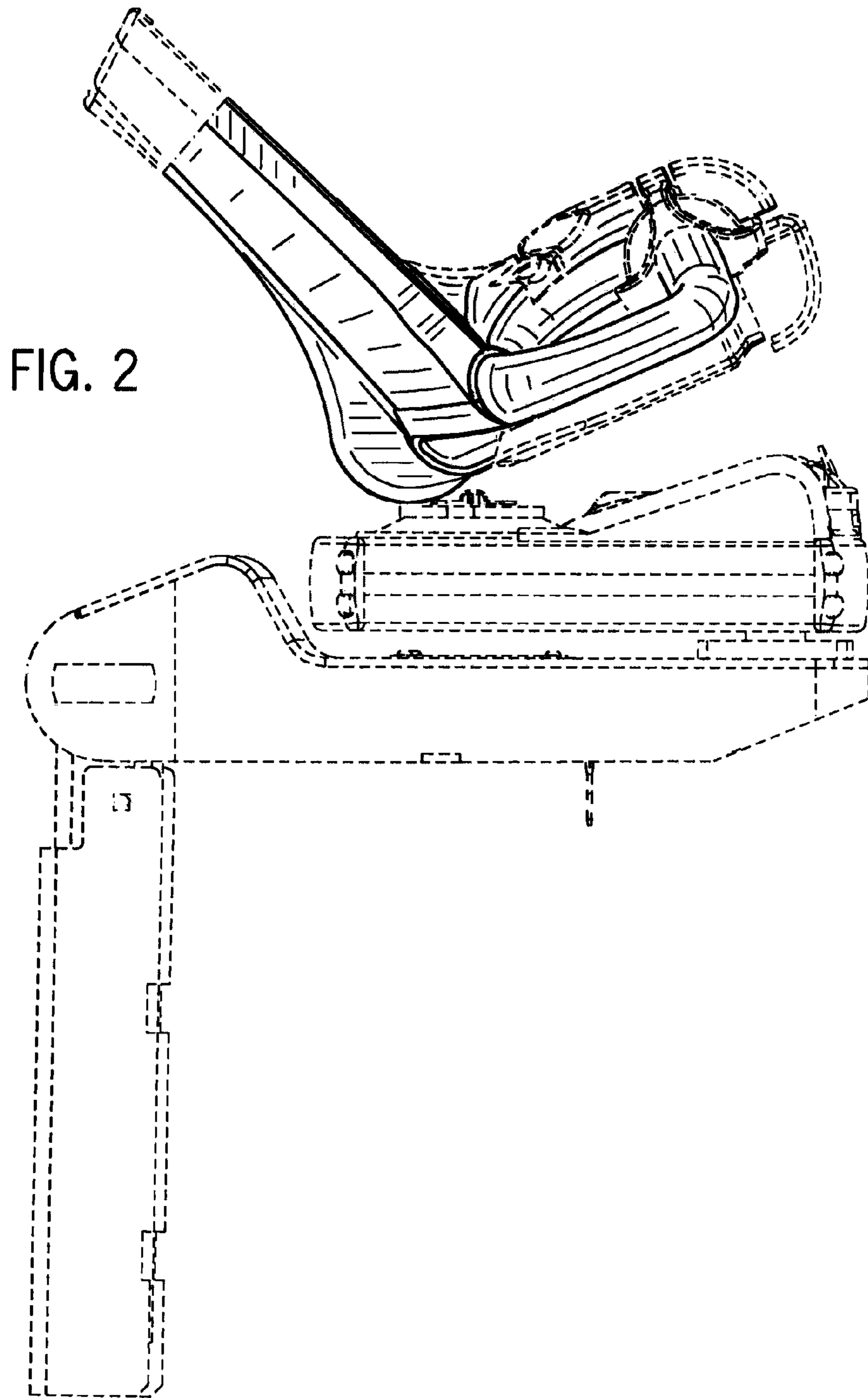
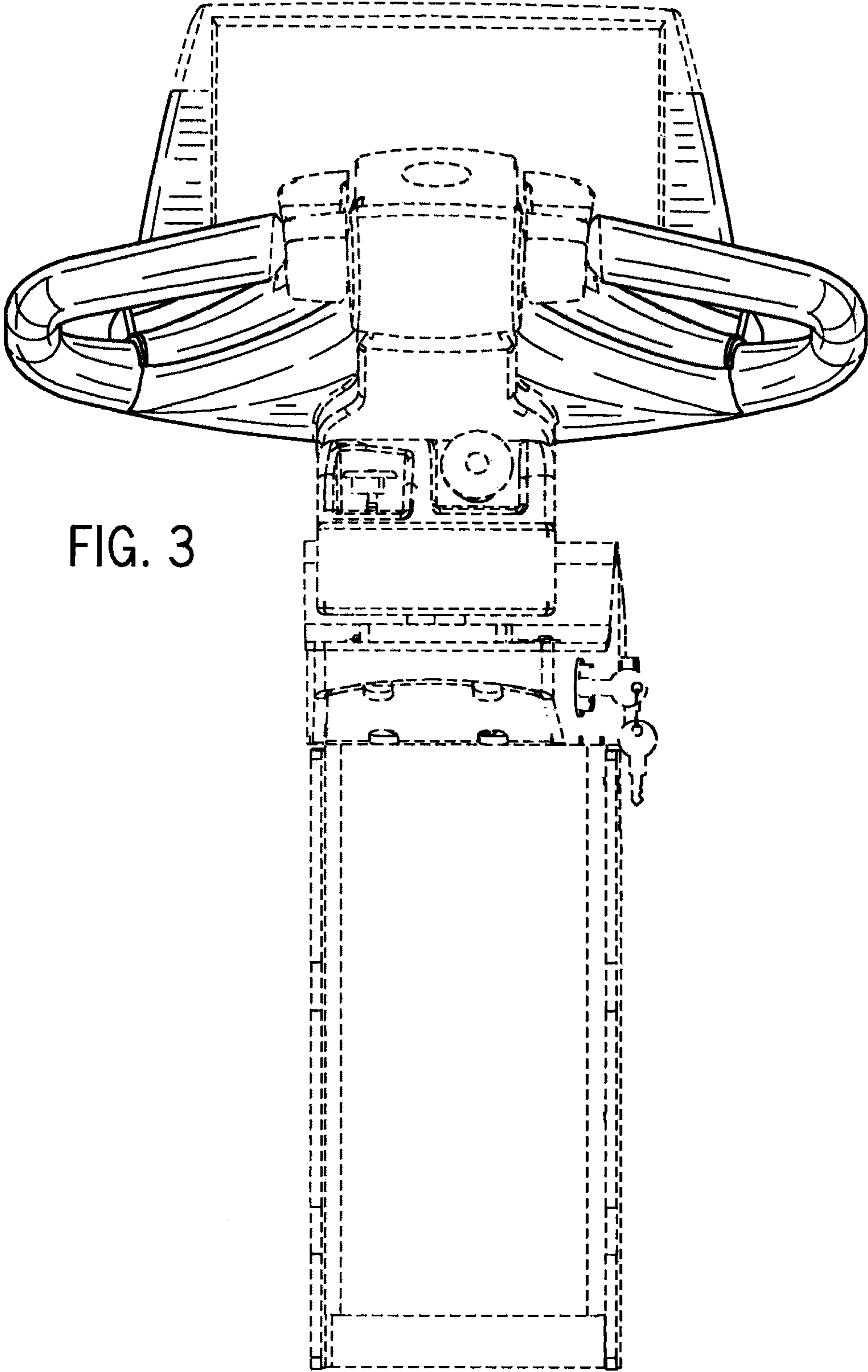


FIG. 1





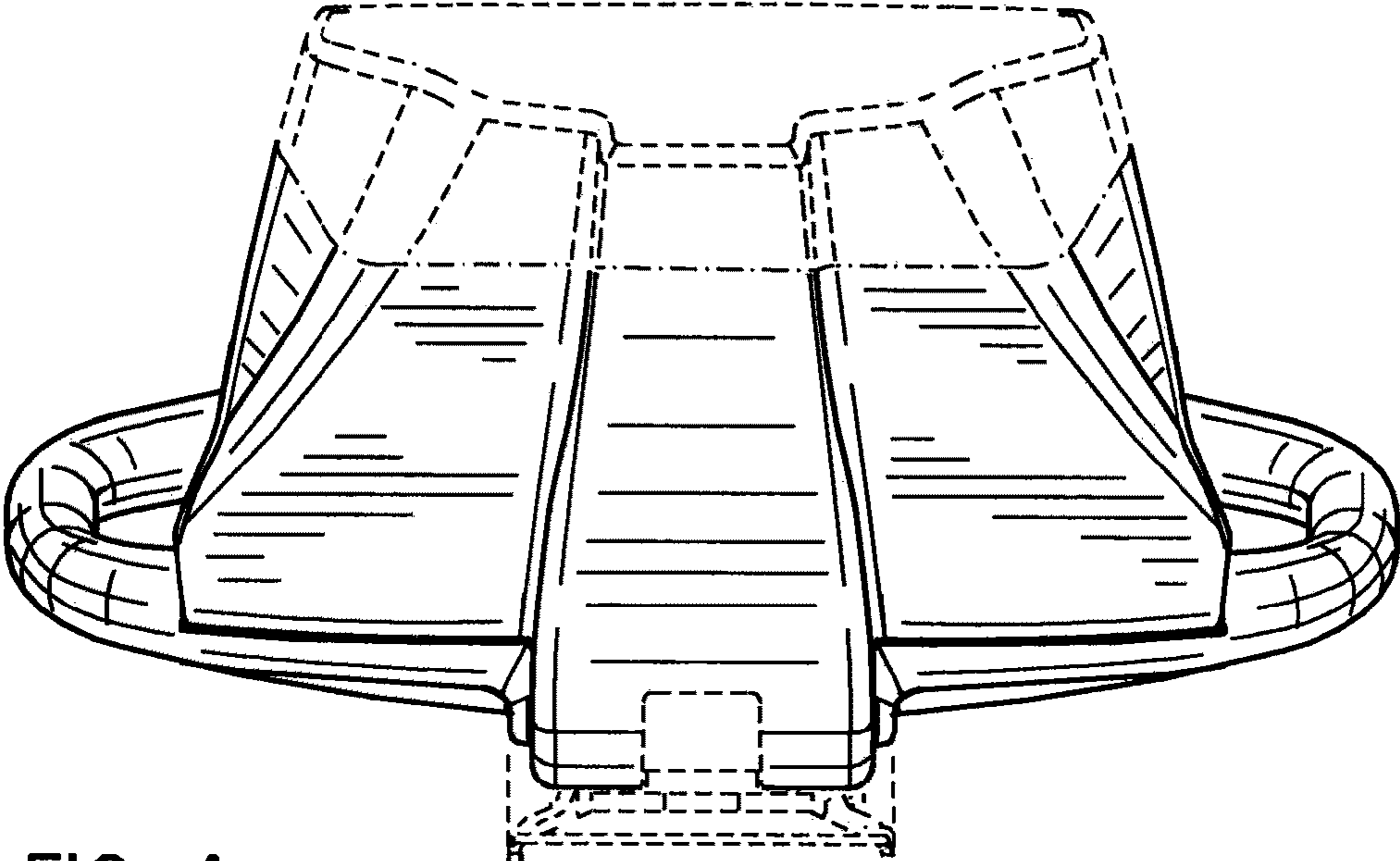
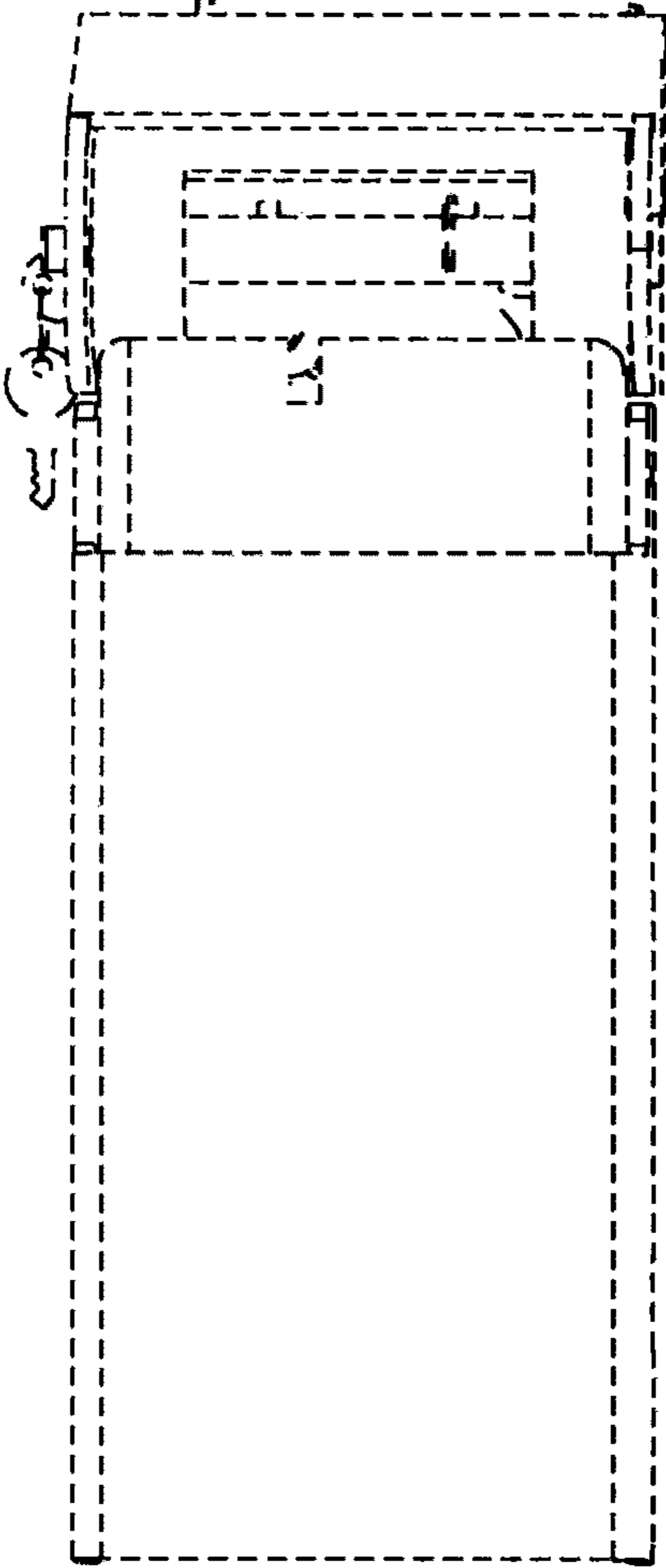


FIG. 4



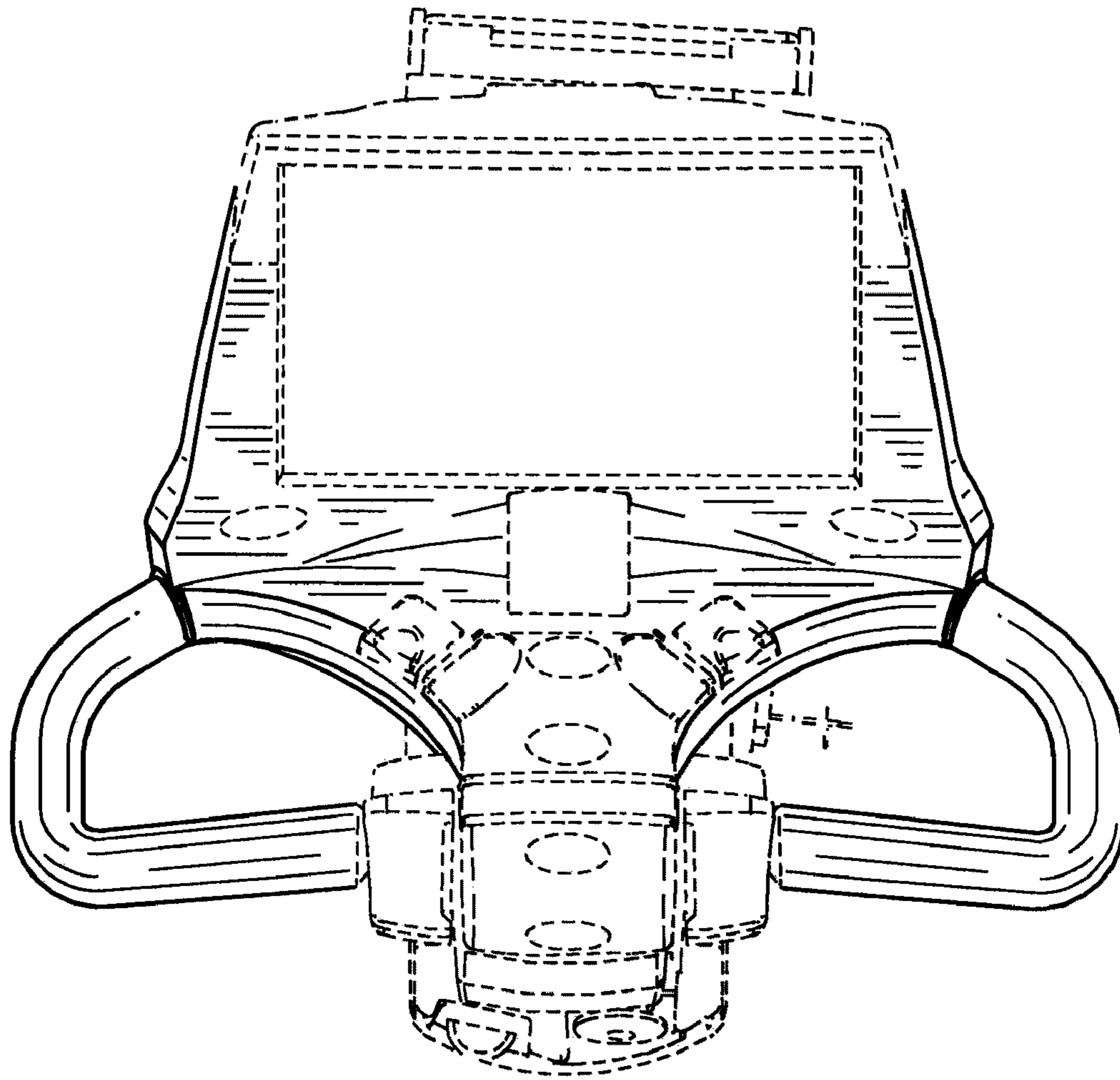


FIG. 5

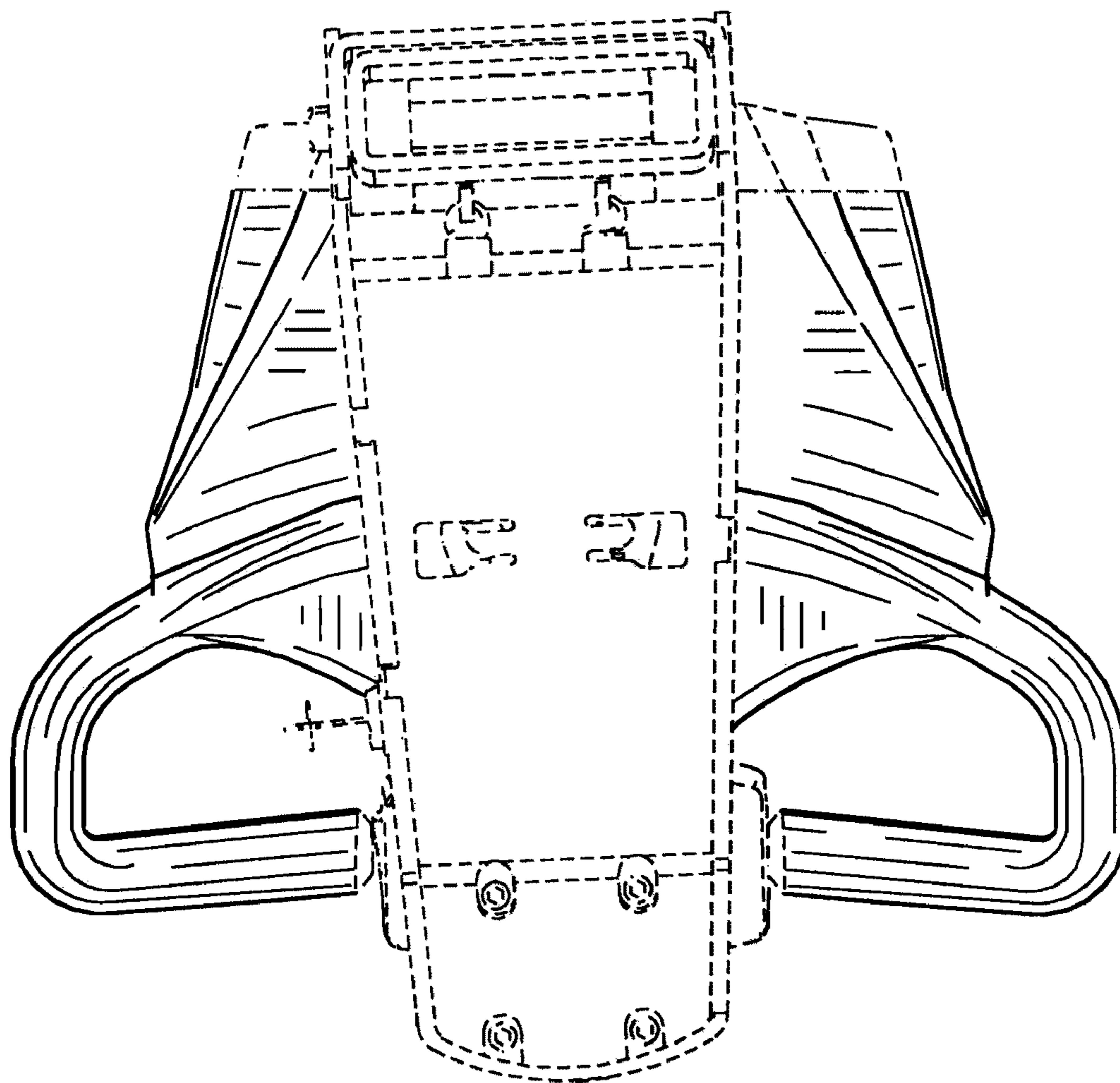


FIG. 6