



US00D650958S

(12) **United States Design Patent**  
**Richardson et al.**

(10) **Patent No.:** **US D650,958 S**

(45) **Date of Patent:** **\*\* Dec. 20, 2011**

(54) **PROTECTOR**

(75) Inventors: **Alexander Richardson**, Bournemouth  
(GB); **Alister James Richardson**,  
Bournemouth (GB)

(73) Assignee: **Chok-A-Block Ltd.**, Bournemouth (GB)

(\*\*) Term: **14 Years**

(21) Appl. No.: **29/380,907**

(22) Filed: **Dec. 13, 2010**

(30) **Foreign Application Priority Data**

Jun. 16, 2010 (EM) ..... 001720640-001

(51) **LOC (9) Cl.** ..... **12-05**

(52) **U.S. Cl.** ..... **D34/35**

(58) **Field of Classification Search** ..... D34/35;  
D30/152; D29/101.1; 5/81.1 R, 84.1, 89.1,  
5/88.1; D24/188, 190

See application file for complete search history.

(56) **References Cited**

**U.S. PATENT DOCUMENTS**

2,562,355 A \* 7/1951 Grant ..... 128/99.1

2,680,315 A \* 6/1954 McHugh et al. .... 40/303

3,102,446 A *	9/1963	Raleigh	.....	84/327
3,536,357 A *	10/1970	Murcott	.....	297/485
4,384,372 A *	5/1983	Rector	.....	2/300
4,413,358 A *	11/1983	Jimenez	.....	2/321
4,782,535 A *	11/1988	Yewer et al.	.....	2/321
4,964,401 A *	10/1990	Taigen	.....	482/93
D336,566 S *	6/1993	Desjardins	.....	D29/101.1
D622,179 S *	8/2010	Frye	.....	D11/216
D629,583 S *	12/2010	Liljedahl	.....	D34/35
D633,255 S *	2/2011	Foreman	.....	D29/101.1
D636,964 S *	4/2011	Thomas et al.	.....	D34/35

\* cited by examiner

*Primary Examiner* — Cynthia Ramirez

(74) *Attorney, Agent, or Firm* — Morrison & Foerster LLP

(57) **CLAIM**

We claim the ornamental design for a protector, as shown and described.

**DESCRIPTION**

FIG. 1 is a perspective view of a protector showing our new design;

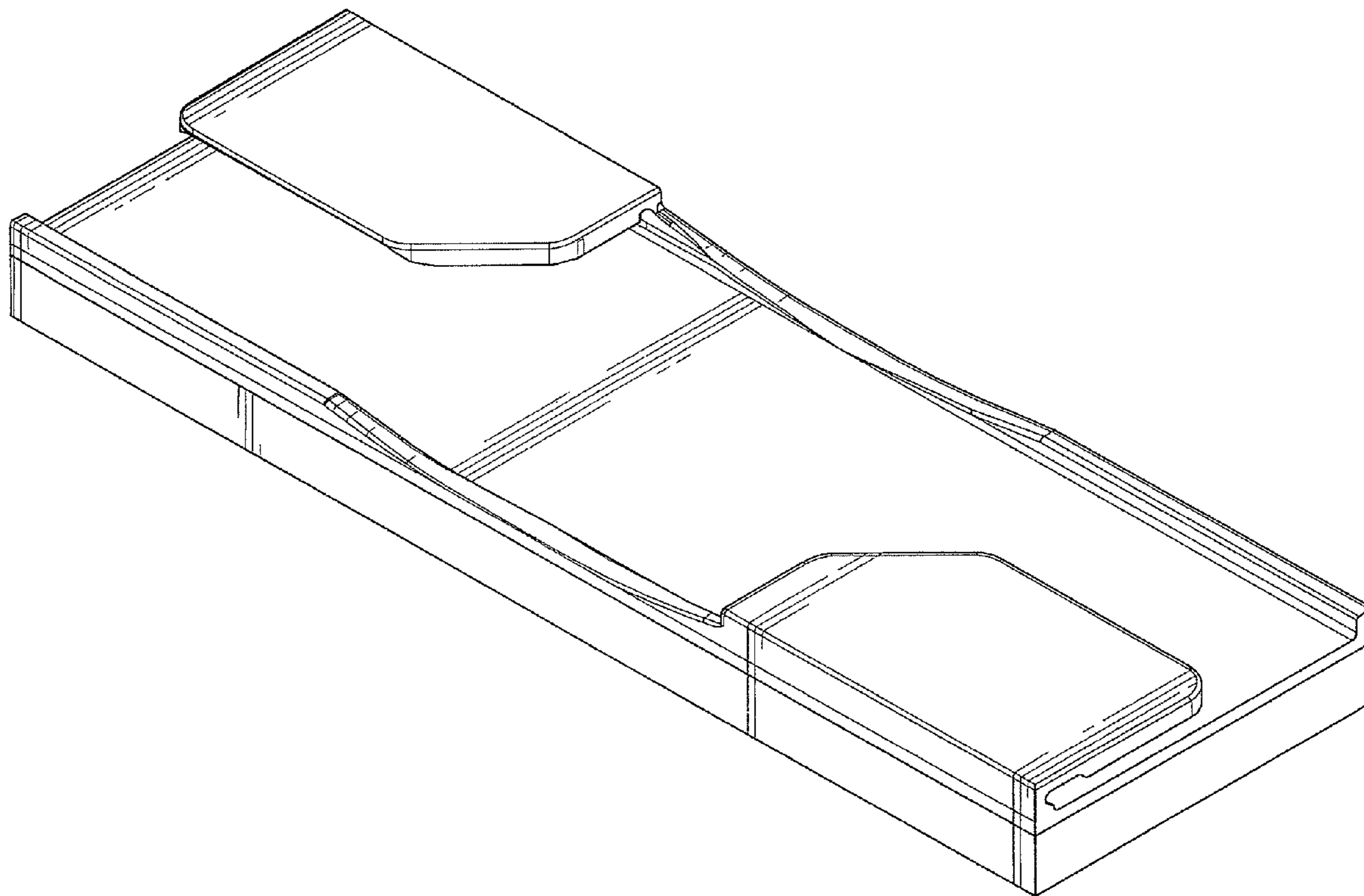
FIG. 2 is an end view thereof;

FIG. 3 is a side view thereof;

FIG. 4 is a top plan view thereof; and,

FIG. 5 is a rear view thereof.

**1 Claim, 5 Drawing Sheets**



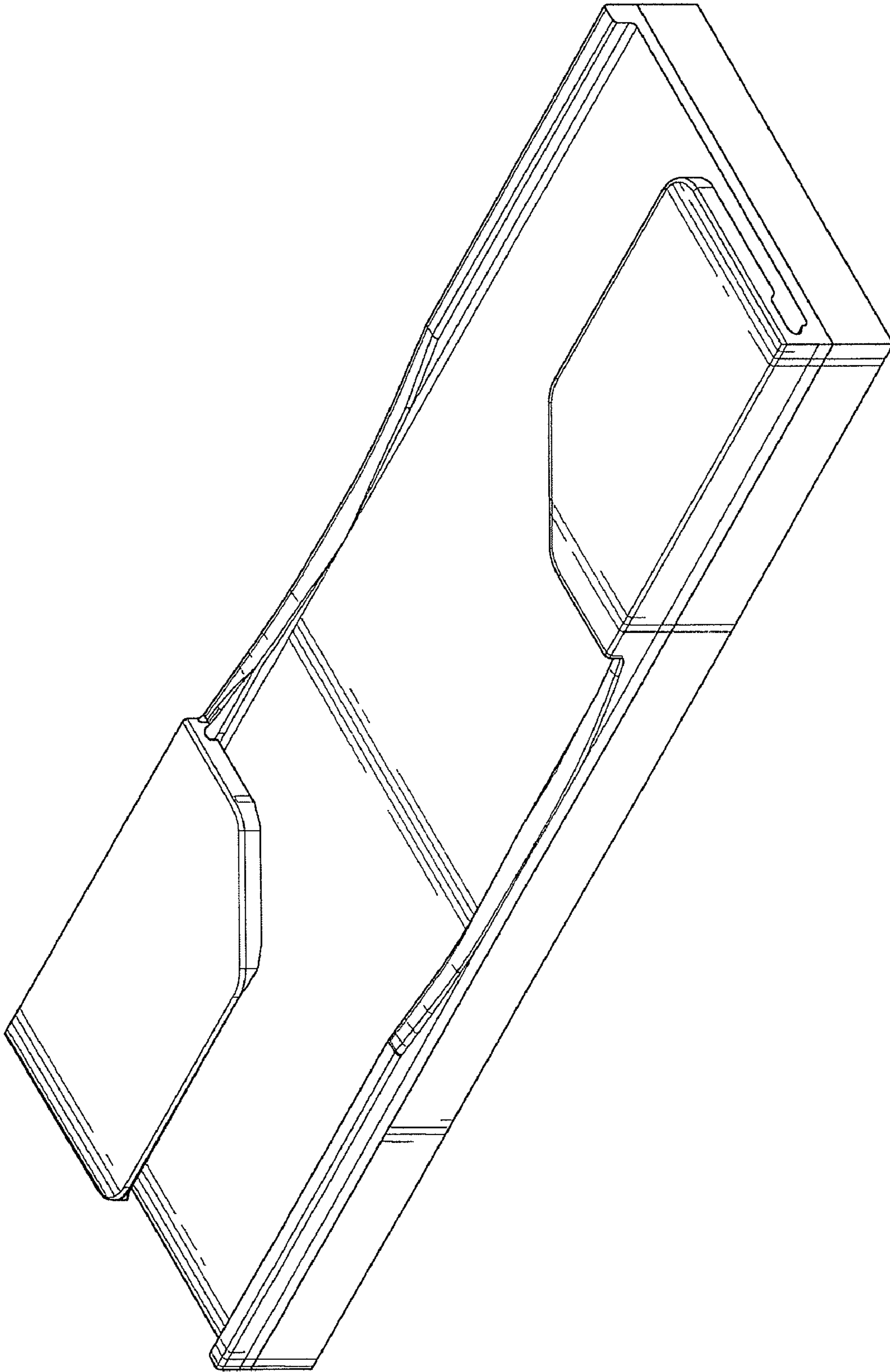
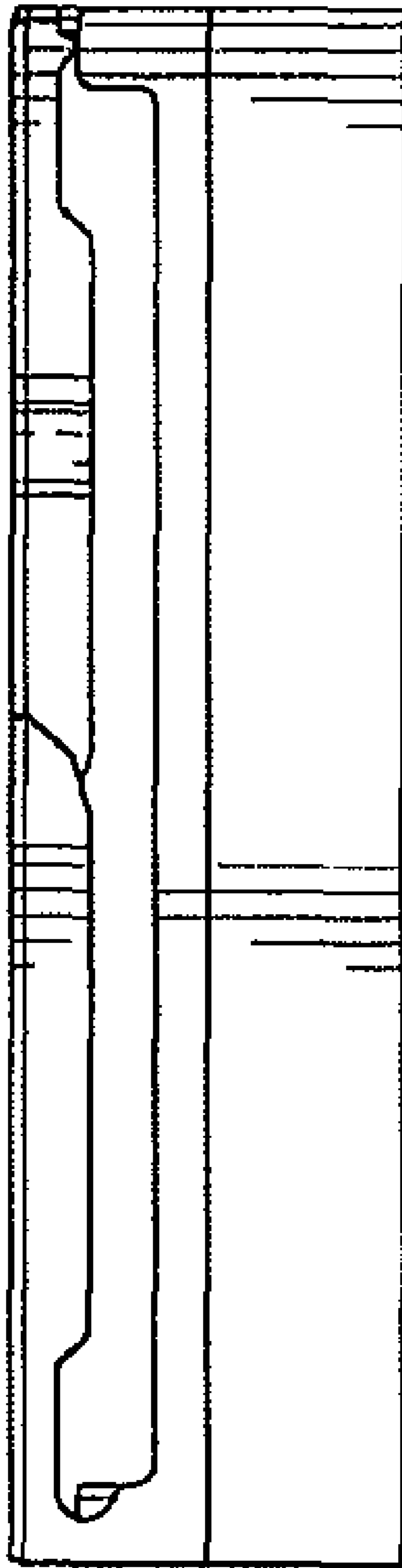


FIG. 1



**FIG. 2**

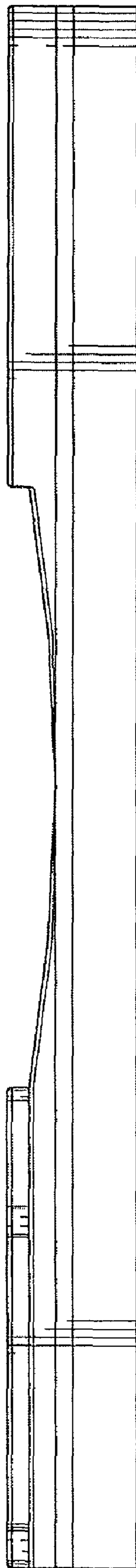


FIG. 3

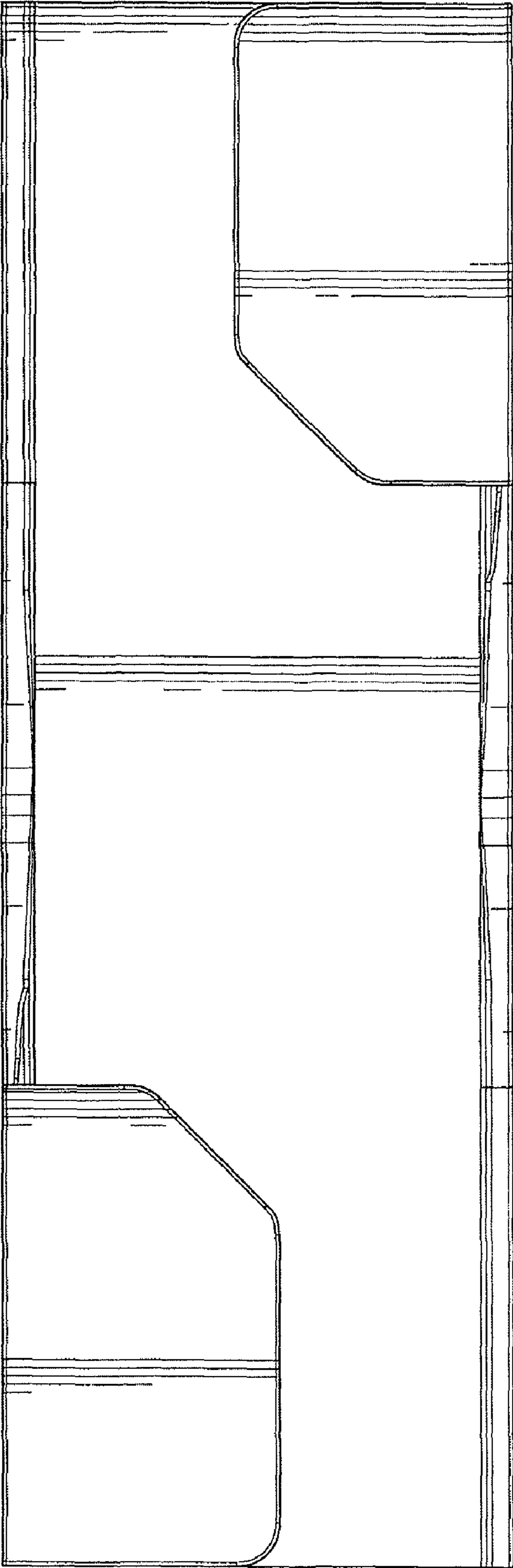


FIG. 4

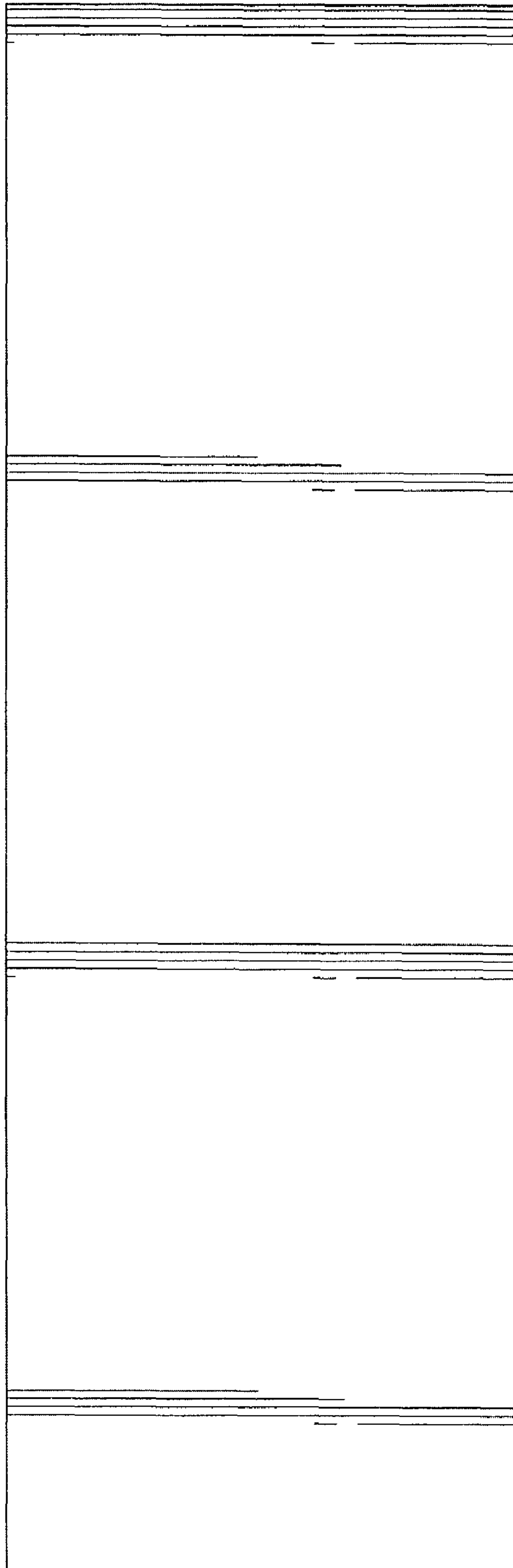


FIG. 5