



US00D650954S

(12) **United States Design Patent**
Patterson et al.

(10) **Patent No.:** **US D650,954 S**

(45) **Date of Patent:** **** Dec. 20, 2011**

(54) **HANDHELD DRUM AUGER**

(75) Inventors: **Charles A. Patterson**, Durango, CO
(US); **Victor Hoernig**, Lowell, IN (US)

(73) Assignee: **Cobra Products, Inc.**, Swedesboro, NJ
(US)

(**) Term: **14 Years**

(21) Appl. No.: **29/358,194**

(22) Filed: **Mar. 24, 2010**

(51) **LOC (9) Cl.** **15-05**

(52) **U.S. Cl.** **D32/14**

(58) **Field of Classification Search** D32/14,
D32/25, 35; 15/104.05, 104.31, 104.33
See application file for complete search history.

(56) **References Cited**

U.S. PATENT DOCUMENTS

D189,445	S	*	12/1960	Levins	D32/14
3,078,486	A	*	2/1963	Casto et al.	15/104.33
D201,349	S	*	6/1965	Bollinger	D32/14
3,691,583	A	*	9/1972	Silverman et al.	15/104.33
3,897,602	A	*	8/1975	Waterbury	15/104.33
4,340,988	A	*	7/1982	Shames et al.	15/104.33
D281,918	S	*	12/1985	Levine	D32/14
D283,046	S	*	3/1986	Botich	D15/144.1
4,706,321	A	*	11/1987	Kaye	15/104.33
D307,496	S	*	4/1990	Moss	D32/14
D312,713	S	*	12/1990	Levine	D32/14

5,029,356	A	*	7/1991	Silverman et al.	15/104.33
5,173,984	A	*	12/1992	Kaye	15/104.33
D339,431	S	*	9/1993	Meyer	D32/14
6,158,076	A	*	12/2000	Rutkowski et al.	15/104.33
6,470,525	B1	*	10/2002	Silverman	15/104.33
6,615,436	B1	*	9/2003	Burch et al.	15/104.33
D582,108	S	*	12/2008	Duff et al.	D32/14
2008/0148503	A1	*	6/2008	Babb et al.	15/104.33

* cited by examiner

Primary Examiner — T. Chase Nelson

Assistant Examiner — Kathleen M Sims

(74) *Attorney, Agent, or Firm* — Edgar A. Zarius; Nirav D. Parikh; Lora J. Graentzdoerffer

(57) **CLAIM**

The ornamental design for a handheld drum auger, as shown and described.

DESCRIPTION

FIG. 1 is a perspective view of a handheld drum auger showing our new design;

FIG. 2 is a top plan view thereof;

FIG. 3 is a left side view thereof, the opposite side being a mirror image of the side shown;

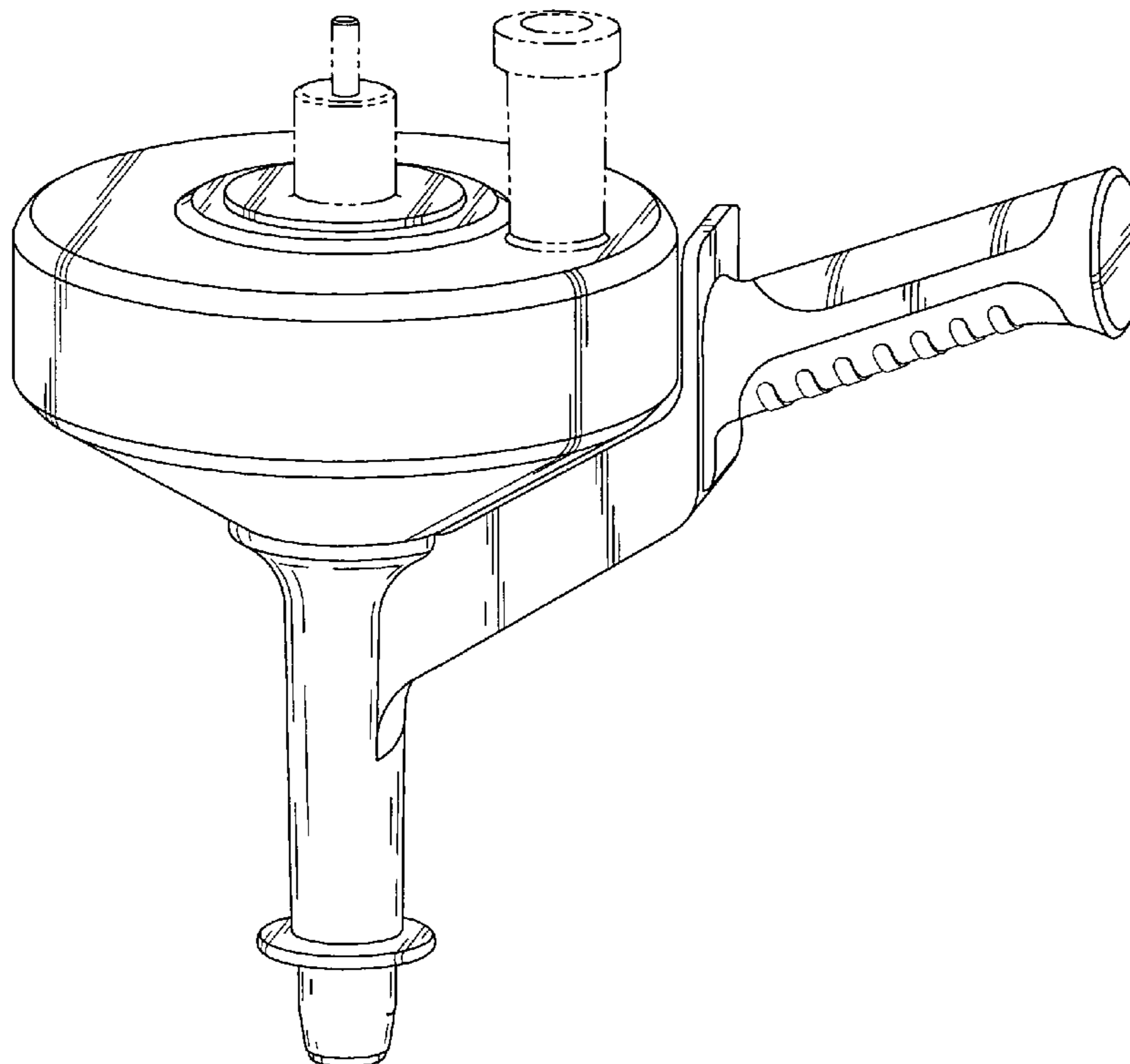
FIG. 4 is a bottom view thereof;

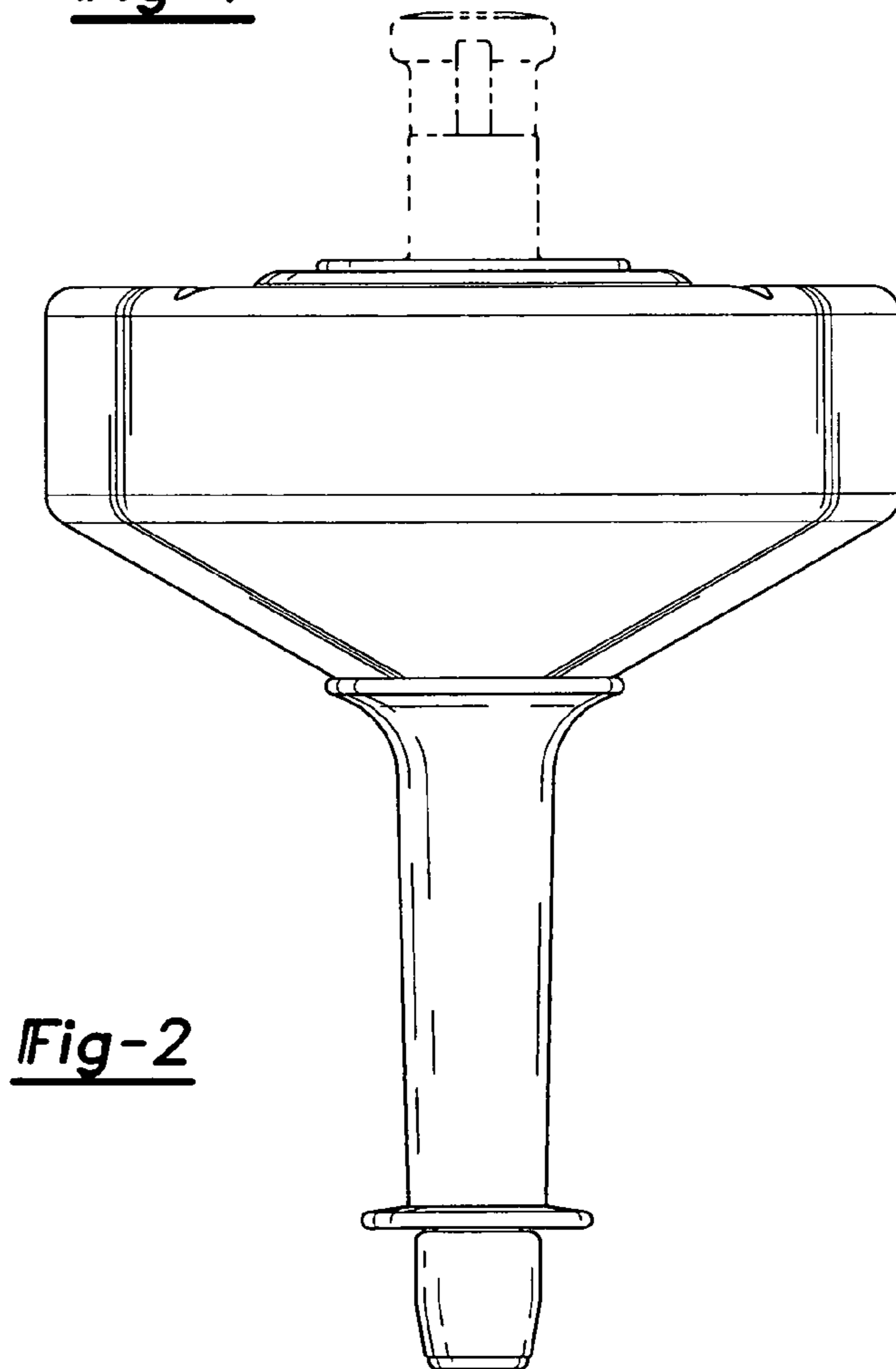
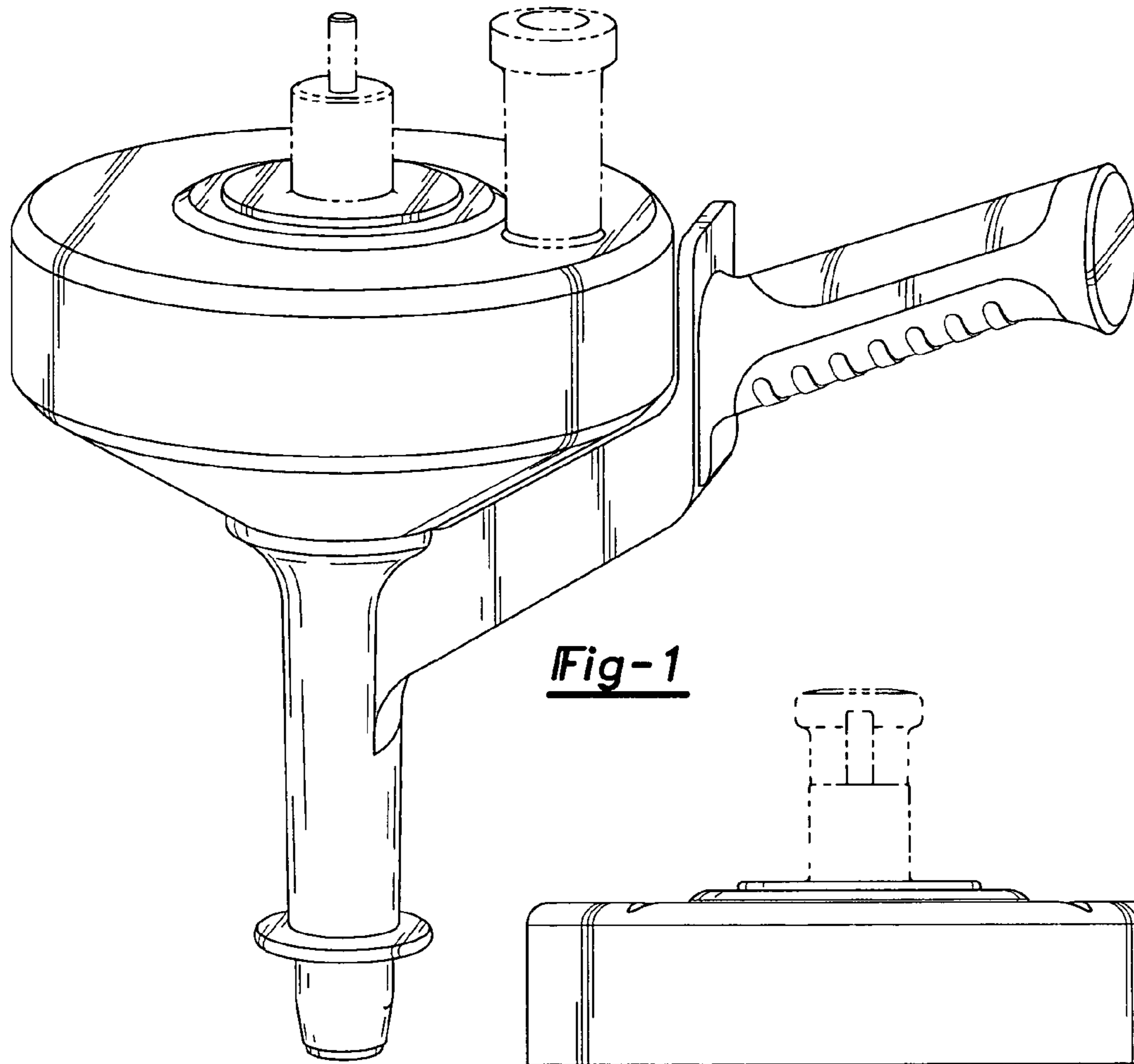
FIG. 5 is a rear view thereof; and,

FIG. 6 is a front view thereof.

The broken line showing of details in FIGS. 1-5 is included for the purpose of showing environmental portions of the handheld drum auger and forms no part of the claimed design.

1 Claim, 3 Drawing Sheets





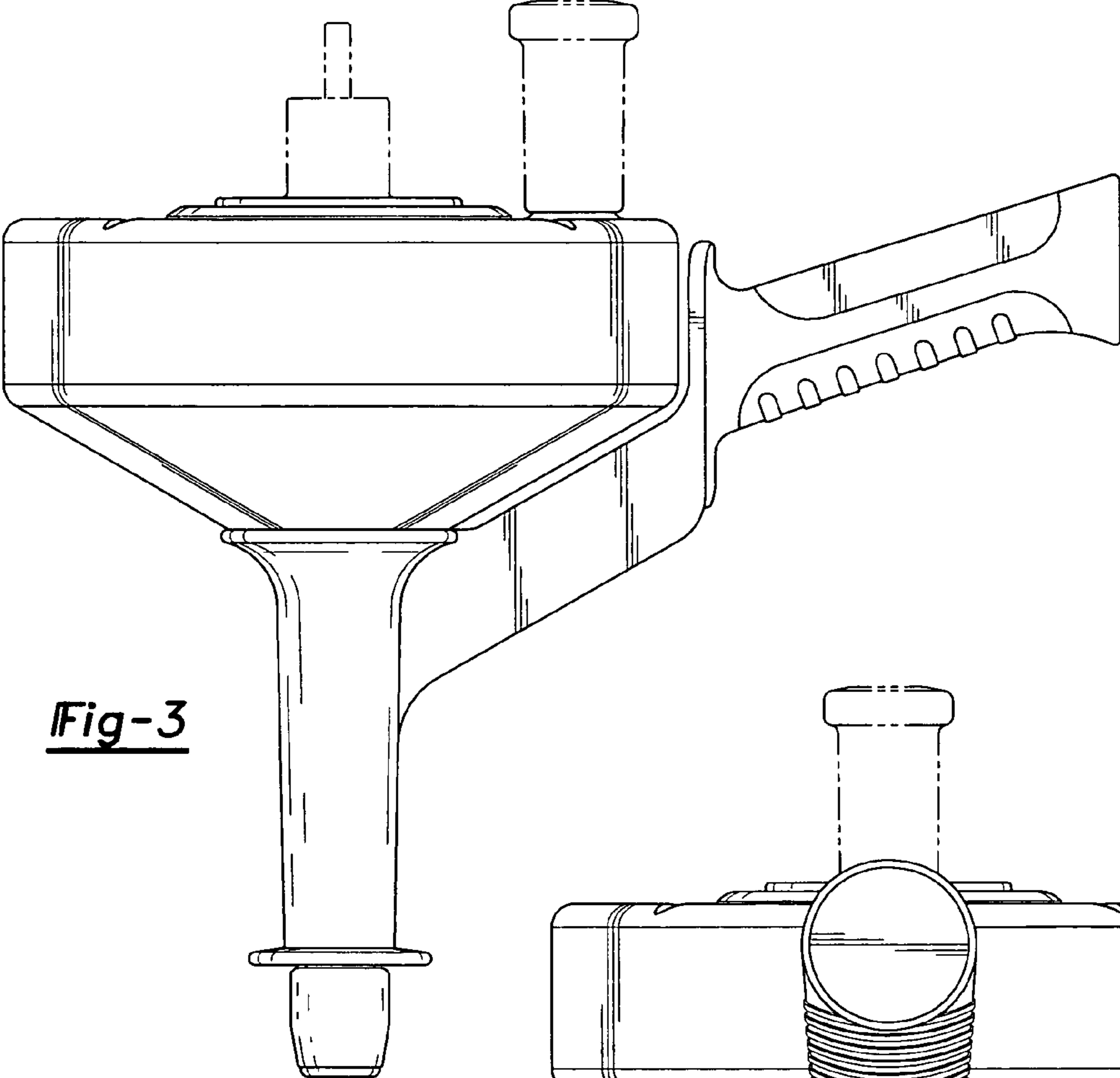


Fig-3

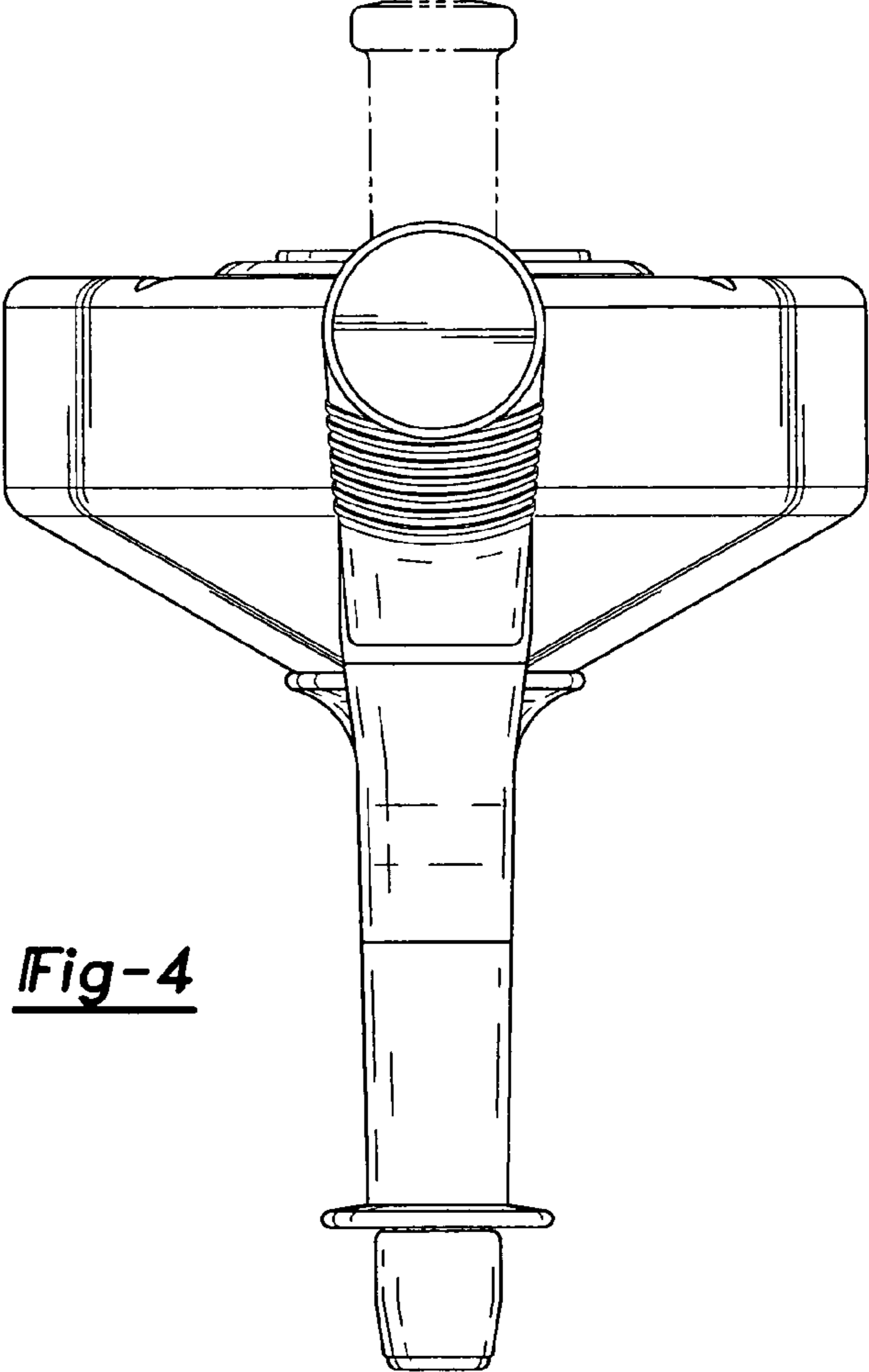


Fig-4

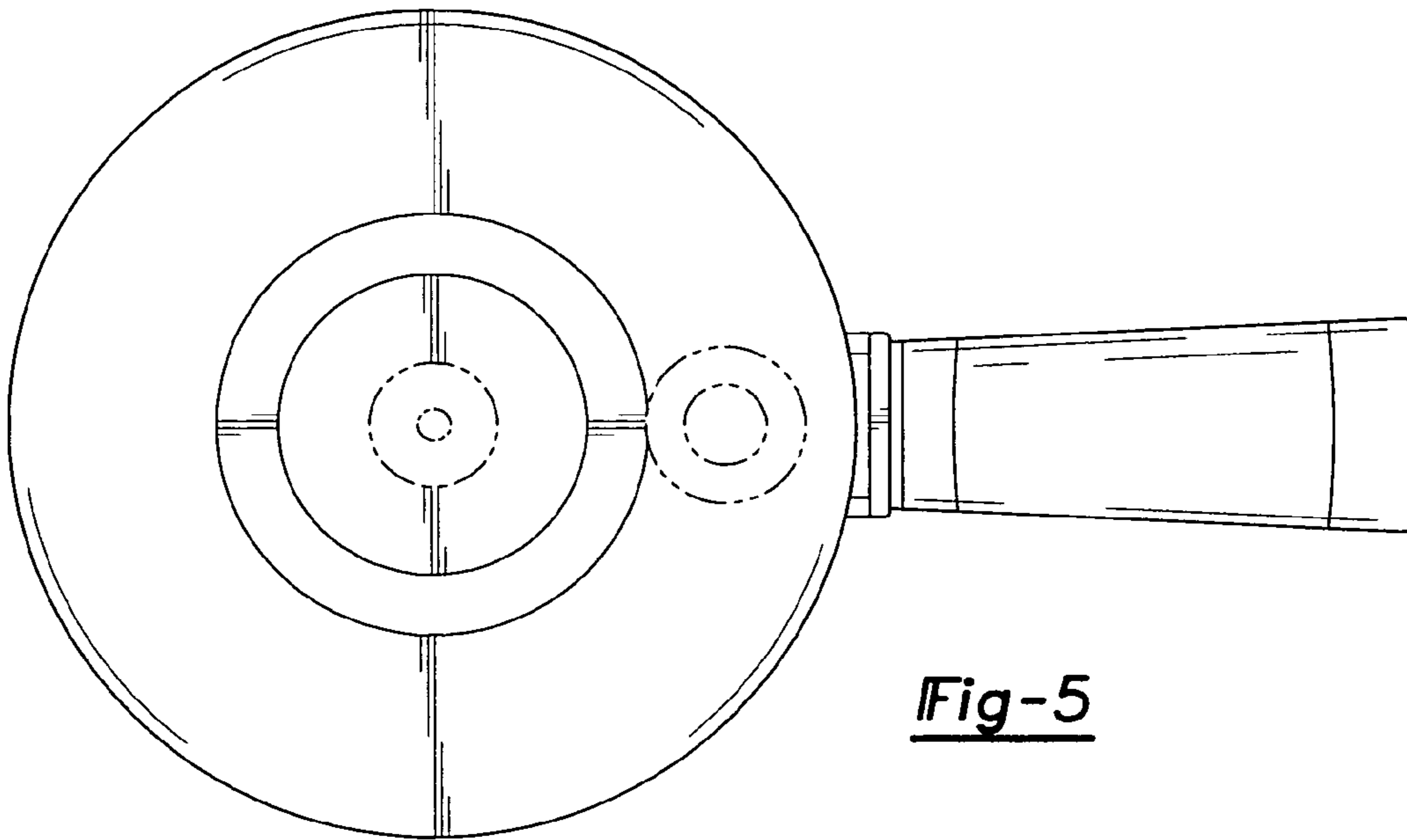


Fig-5

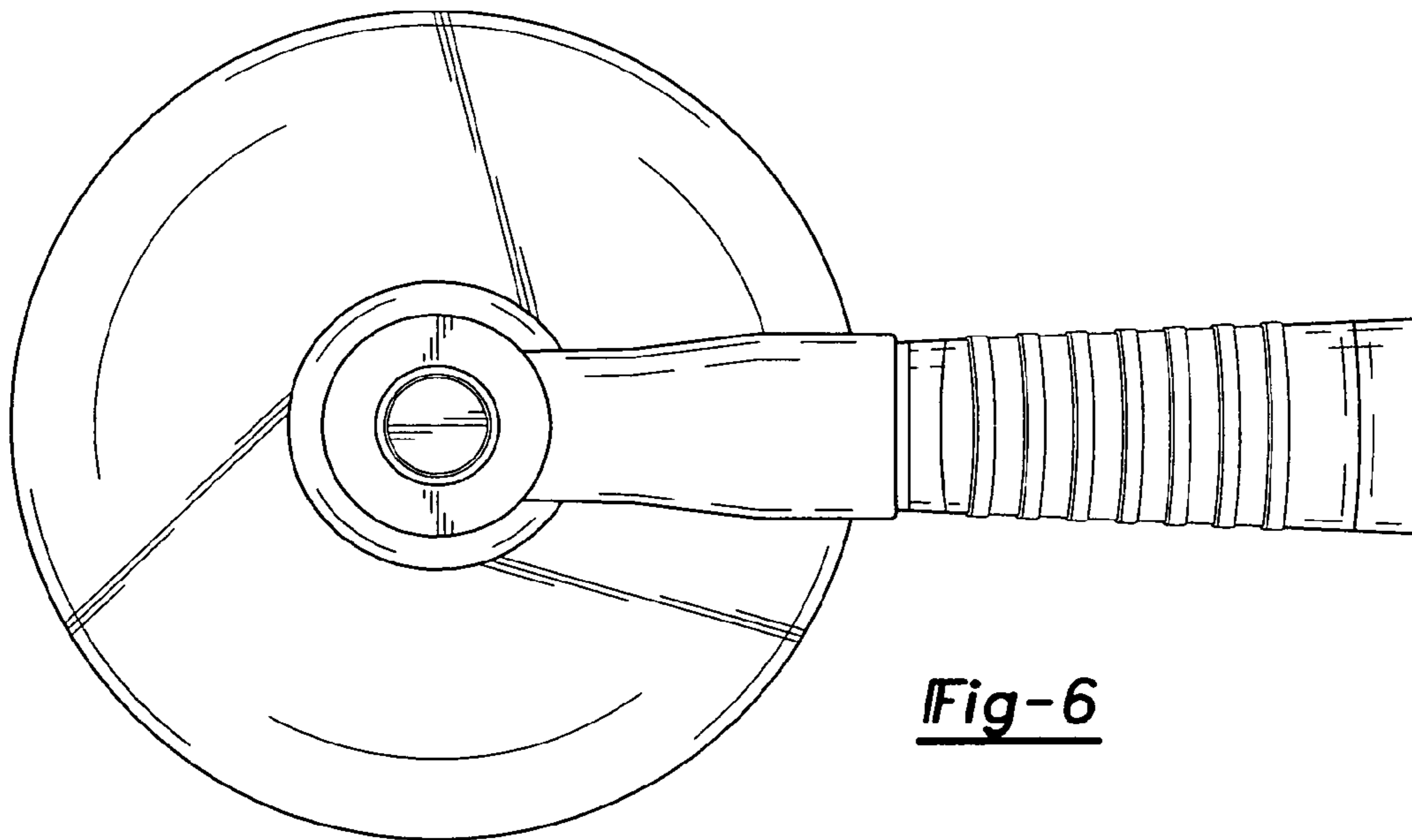


Fig-6