



US00D650953S

(12) **United States Design Patent**  
**Lee et al.**

(10) **Patent No.:** **US D650,953 S**

(45) **Date of Patent:** **\*\* Dec. 20, 2011**

(54) **CAT WASHROOM BENCH**

(75) Inventors: **Melody Lee**, Markham (CA); **Kevin Xin**, Markham (CA)

(73) Assignee: **Merry Products Corporation**, Markham, Ontario (CA)

(\*\*) Term: **14 Years**

(21) Appl. No.: **29/362,923**

(22) Filed: **Jun. 2, 2010**

(51) **LOC (9) Cl.** ..... **30-99**

(52) **U.S. Cl.** ..... **D30/161**

(58) **Field of Classification Search** ..... D30/108, D30/109, 118, 161; 119/161-170, 482; D6/436, D6/438, 440  
See application file for complete search history.

6,758,167 B1 7/2004 Edelinski  
 D495,902 S 9/2004 Haberman et al.  
 6,945,193 B1 \* 9/2005 Tanner et al. .... 119/165  
 6,997,137 B1 2/2006 Ricke  
 D519,685 S \* 4/2006 Scarpaci et al. .... D30/108  
 D534,321 S \* 12/2006 Simpson et al. .... D30/161  
 D554,303 S 10/2007 Linehan  
 D555,293 S \* 11/2007 Gourkow ..... D30/108  
 D569,053 S \* 5/2008 Lee ..... D30/161  
 D616,617 S \* 5/2010 Cirincione et al. .... D30/161  
 2009/0064939 A1 \* 3/2009 Cirincione et al. .... 119/161

\* cited by examiner

*Primary Examiner* — Holly Baynham  
*Assistant Examiner* — Michelle E Wilson  
 (74) *Attorney, Agent, or Firm* — Harness, Dickey & Pierce, P.L.C.

(57) **CLAIM**  
 The ornamental design for a cat washroom bench, as shown and described.

(56) **References Cited**

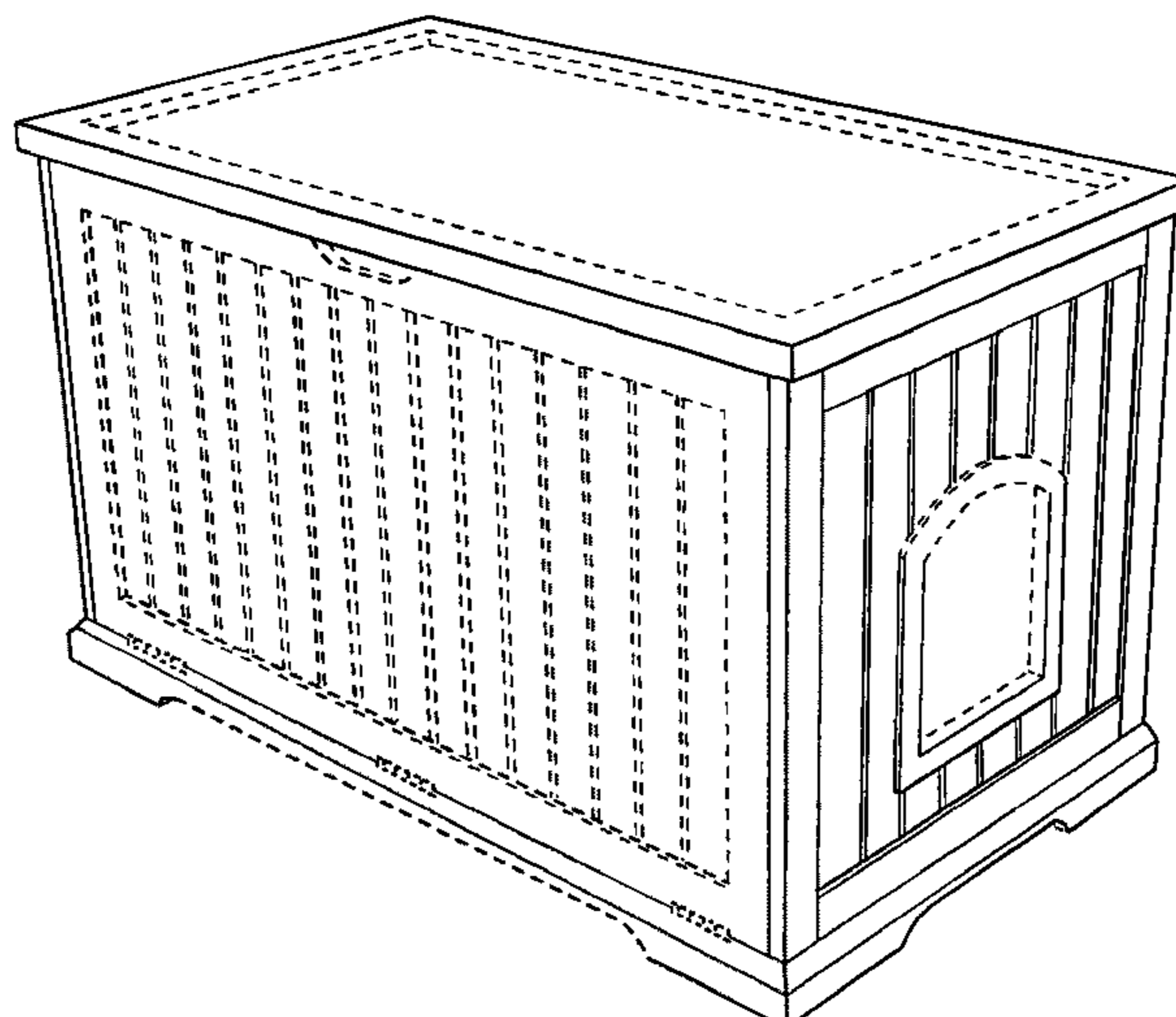
U.S. PATENT DOCUMENTS

3,482,546 A 12/1969 Anderson  
 3,872,832 A \* 3/1975 Quinn ..... 119/165  
 D238,498 S 1/1976 Barr  
 4,327,667 A 5/1982 Bilak  
 4,347,807 A 9/1982 Reich  
 D288,970 S 3/1987 Runion  
 D290,767 S 7/1987 Duffek  
 4,683,839 A 8/1987 Uhrick  
 D315,430 S \* 3/1991 Robertson, Sr. .... D30/108  
 5,050,536 A 9/1991 Baker  
 5,184,568 A \* 2/1993 Healey ..... 119/482  
 5,184,575 A \* 2/1993 Reinartz ..... 119/163  
 D372,813 S \* 8/1996 Walter ..... D6/436  
 D422,754 S 4/2000 Kolozsvari et al.  
 6,182,612 B1 2/2001 Ross, Sr.  
 6,286,458 B1 \* 9/2001 Rawson ..... 119/165  
 D461,937 S 8/2002 Small  
 D469,584 S 1/2003 Shepherd

**DESCRIPTION**

FIG. 1 is a front perspective view of a cat washroom showing our design;  
 FIG. 2 is a front perspective view thereof with a front panel articulated to an open position;  
 FIG. 3 is a front view thereof;  
 FIG. 4 is a left side view thereof;  
 FIG. 5 is a right side view thereof;  
 FIG. 6 is a top view thereof, the bottom view not being claimed; and,  
 FIG. 7 is a rear view thereof.  
 The broken lines immediately adjacent the full lines represent the bounds of the claim. All other broken lines showing structure are for the purposes of illustrating environmental structure and form no part of the claimed design.

**1 Claim, 6 Drawing Sheets**



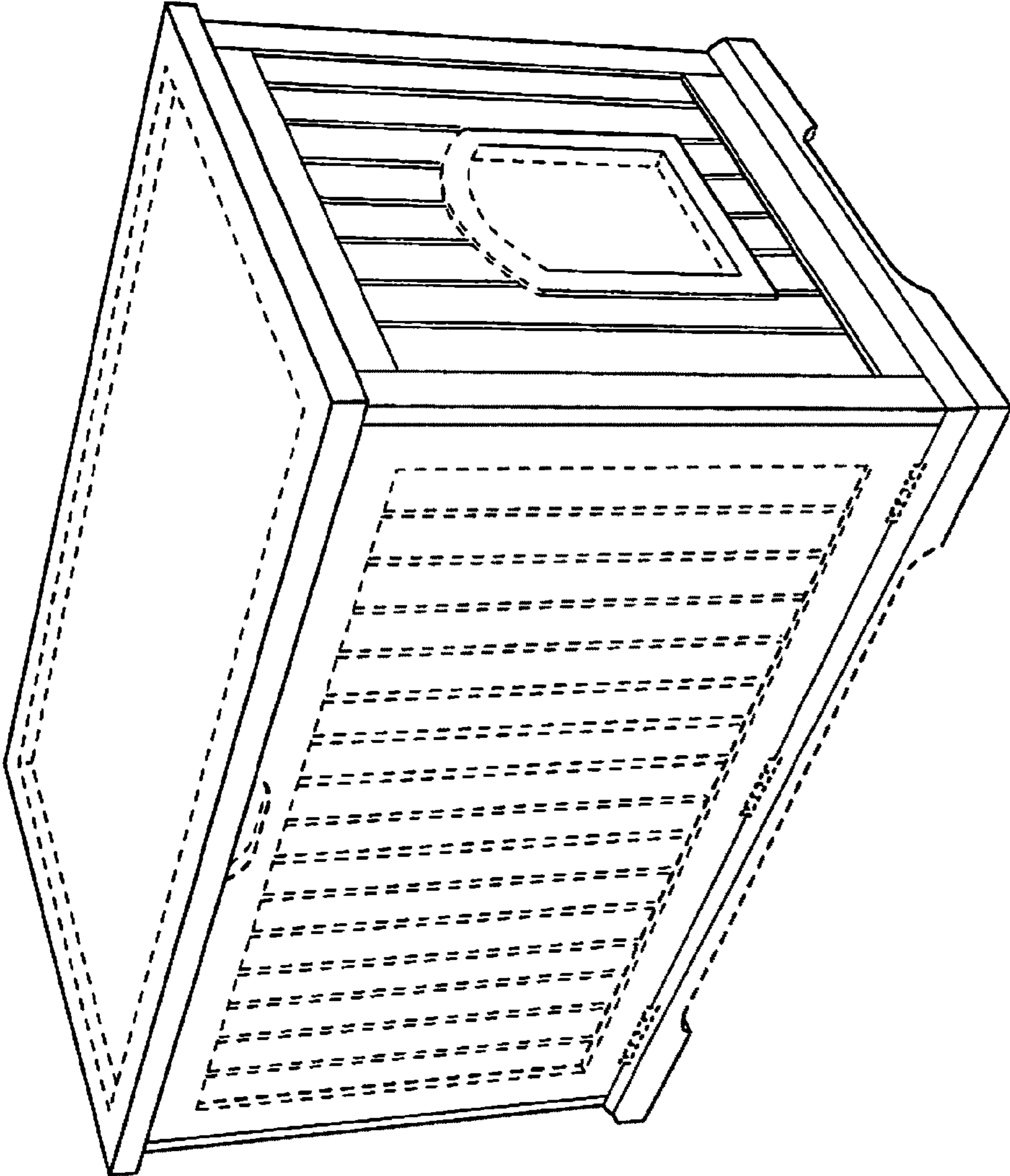


FIG. 1

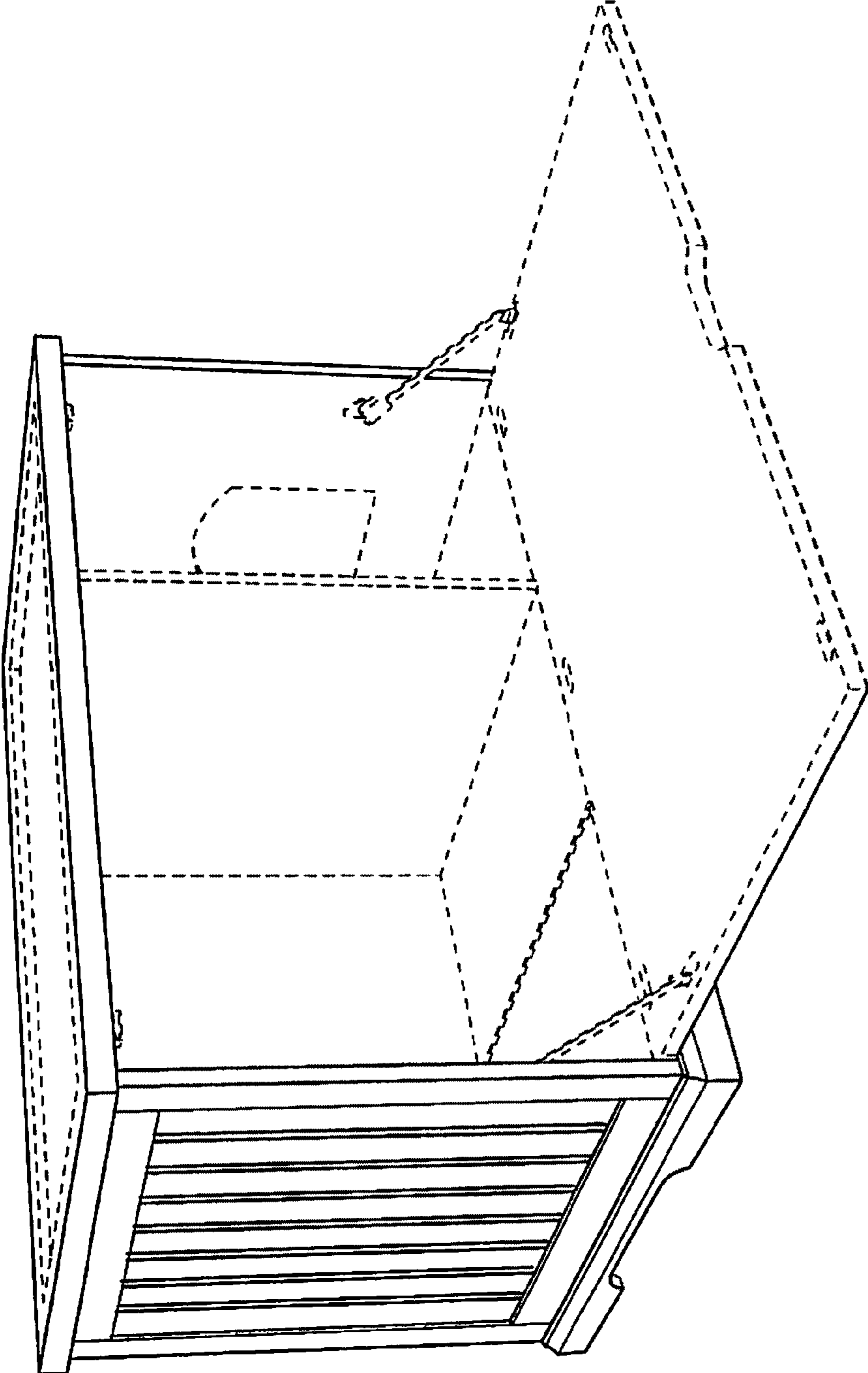


FIG. 2

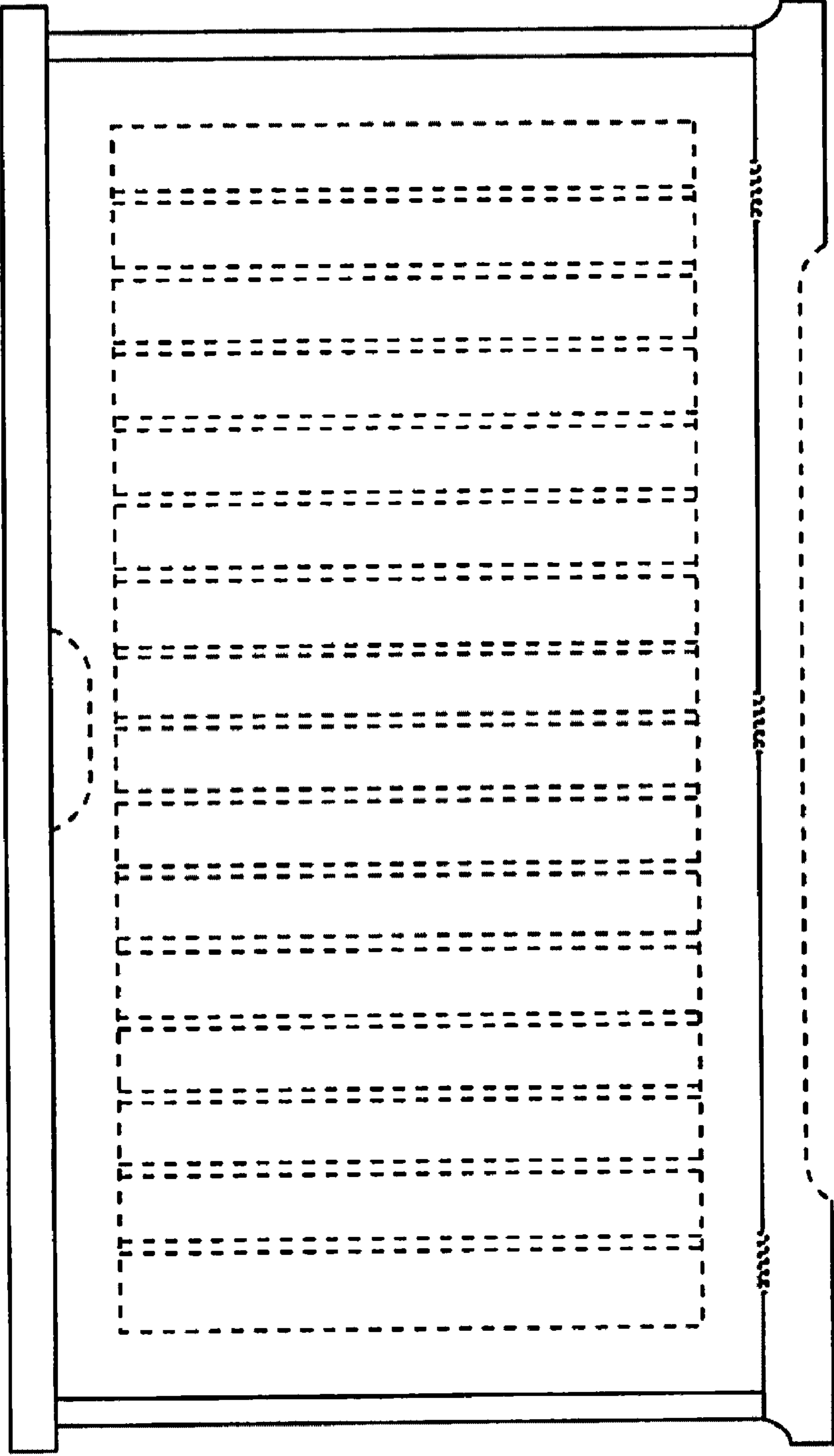
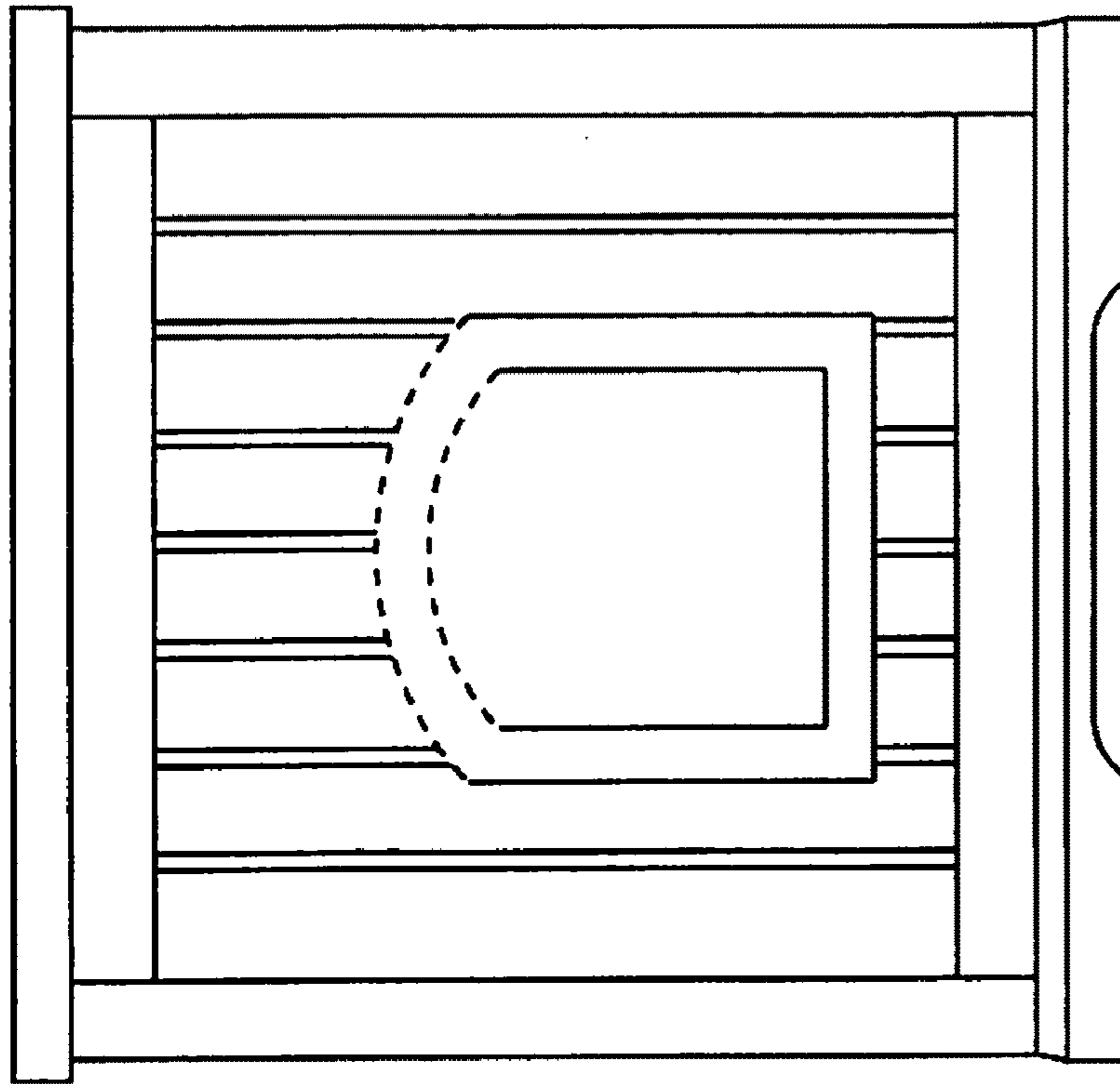
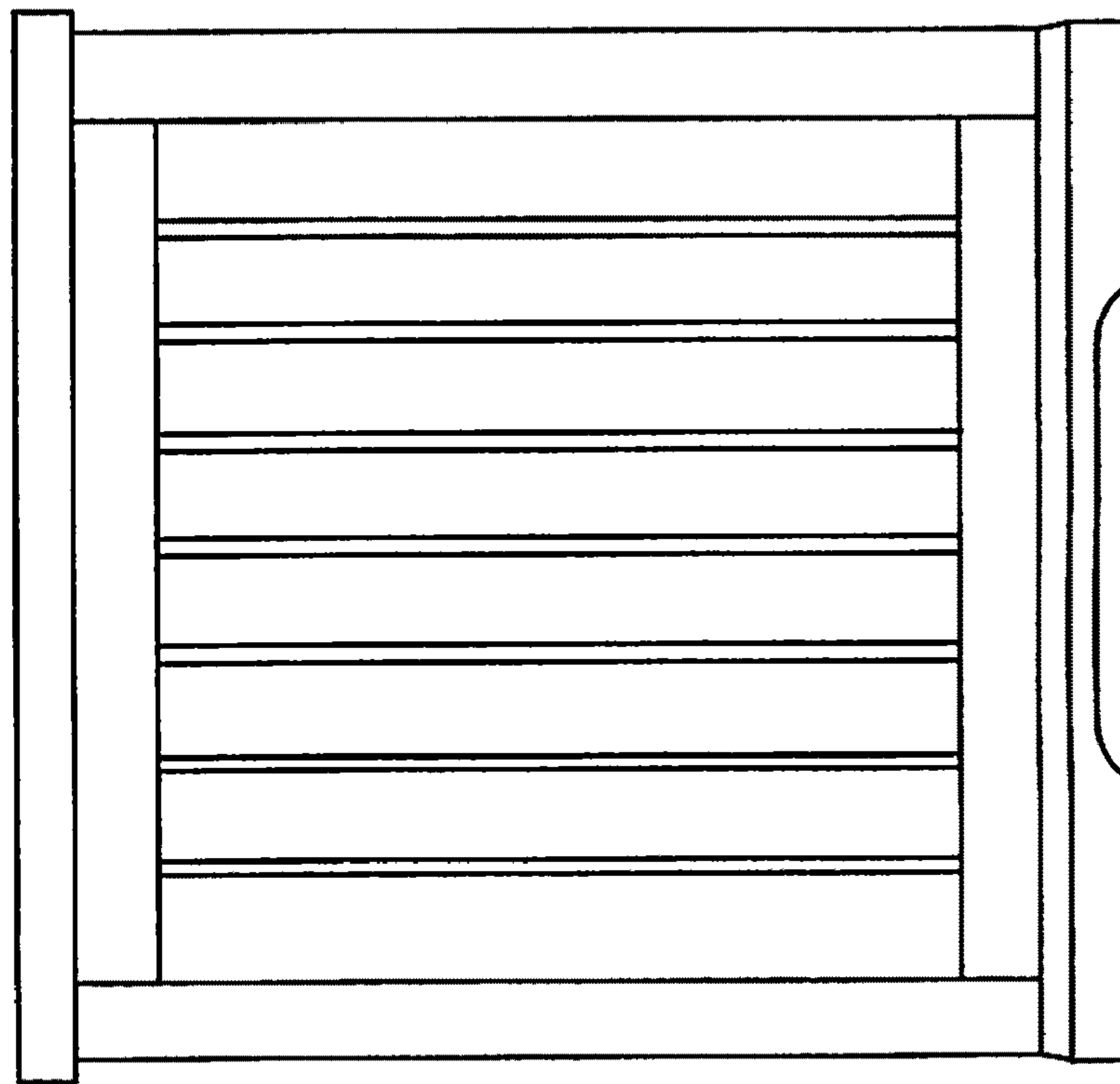


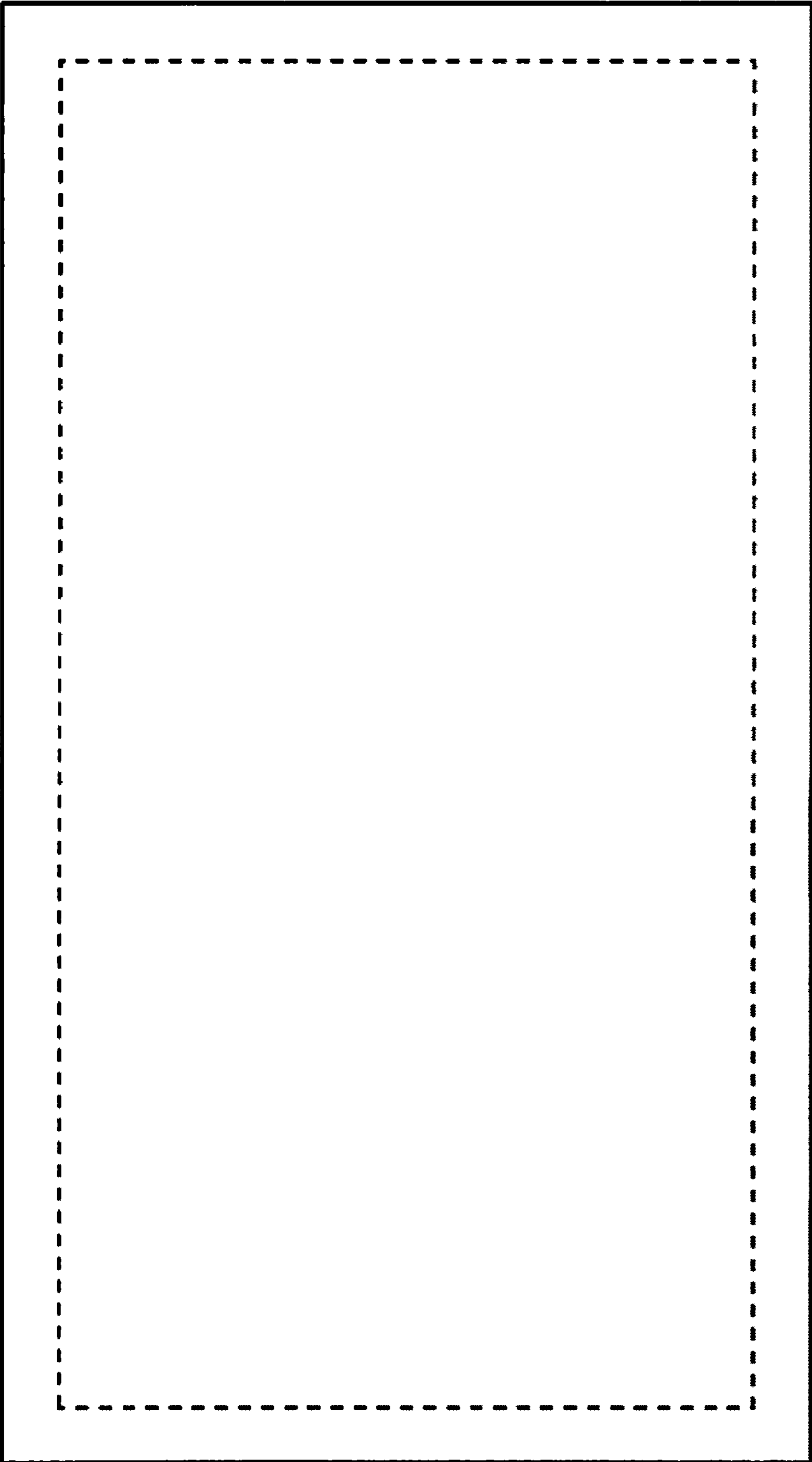
FIG. 3



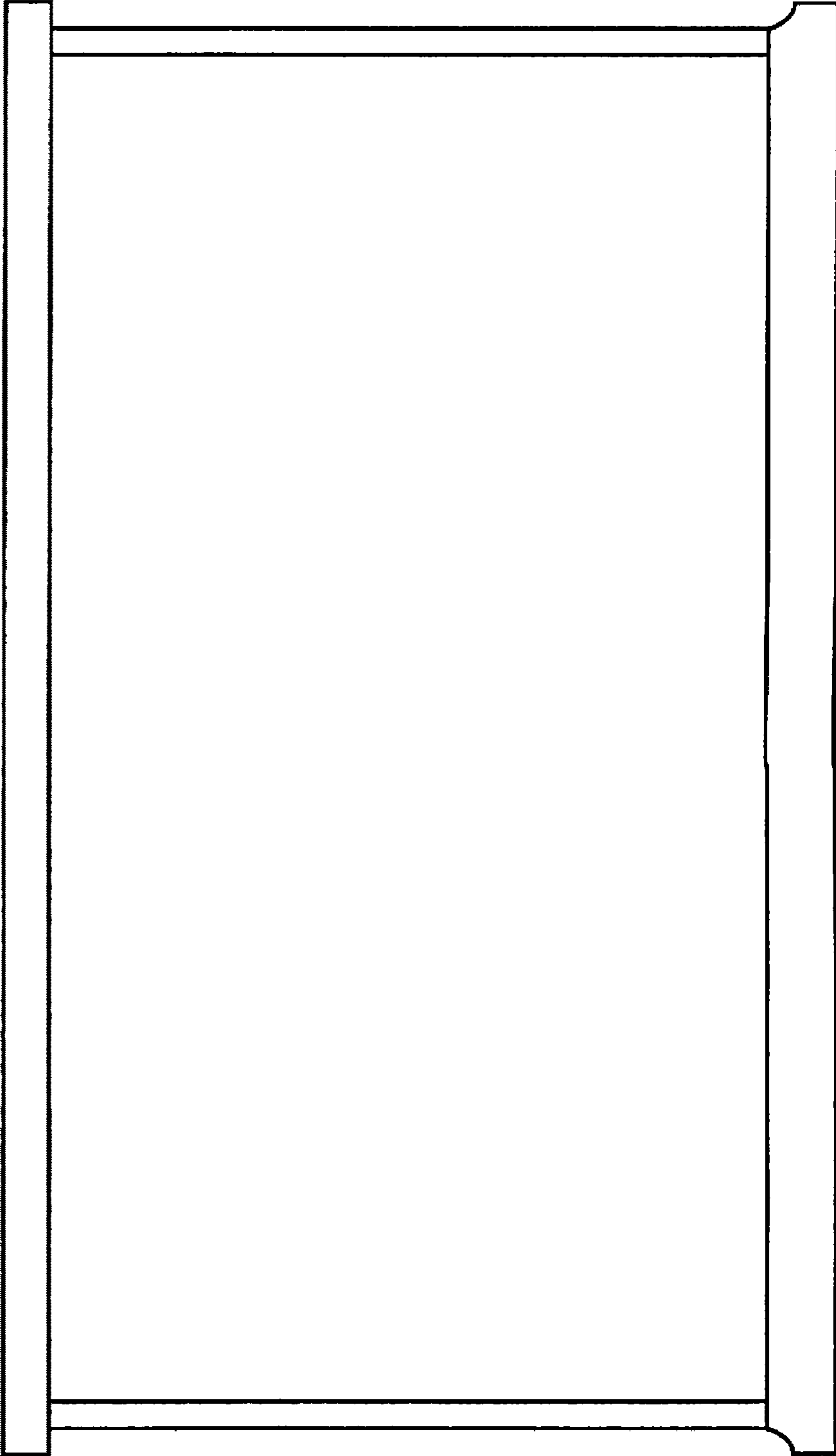
**FIG. 5**



**FIG. 4**



**FIG. 6**



*FIG. 7*