

US00D650951S

(12) **United States Design Patent**
Connelly et al.

(10) **Patent No.:** **US D650,951 S**

(45) **Date of Patent:** **** *Dec. 20, 2011**

(54) **BASE PIECE WITH CLIP**

(76) Inventors: **Cathy Anne Connelly**, Encinitas, CA
(US); **Barbara Egan**, Cardiff by the Sea,
CA (US)

(*) Notice: This patent is subject to a terminal disclaimer.

(**) Term: **14 Years**

(21) Appl. No.: **29/383,409**

(22) Filed: **Jan. 18, 2011**

(51) **LOC (9) Cl.** **30-04**

(52) **U.S. Cl.** **D30/136; D8/395**

(58) **Field of Classification Search** D8/72,
D8/73, 394, 395; D10/31; D13/154; D19/65,
D19/86; D30/136; 24/561, 563; 224/667;
D11/78, 1, 79, 215

See application file for complete search history.

(56) **References Cited**

U.S. PATENT DOCUMENTS

D29,703 S * 11/1898 Conner D30/136
D295,501 S * 5/1988 Brayford D10/31

4,821,934 A * 4/1989 Alessi et al. 224/667
D383,701 S * 9/1997 Fletcher D11/78.1
D384,591 S * 10/1997 Richards D11/78.1
D390,493 S * 2/1998 Fletcher D11/78.1
D506,783 S * 6/2005 Siegel D19/65
D596,508 S * 7/2009 Warren D10/31
D620,785 S * 8/2010 St. Germaine D8/395

* cited by examiner

Primary Examiner — Nanda Bondade

(74) *Attorney, Agent, or Firm* — Eric Hanscom; Todd J. Langford

(57) **CLAIM**

The ornamental design for a base piece with clip, as shown and described.

DESCRIPTION

FIG. 1 is a perspective view of a base piece with clip showing our new design;

FIG. 2 is a back view thereof;

FIG. 3 is a left-side view thereof;

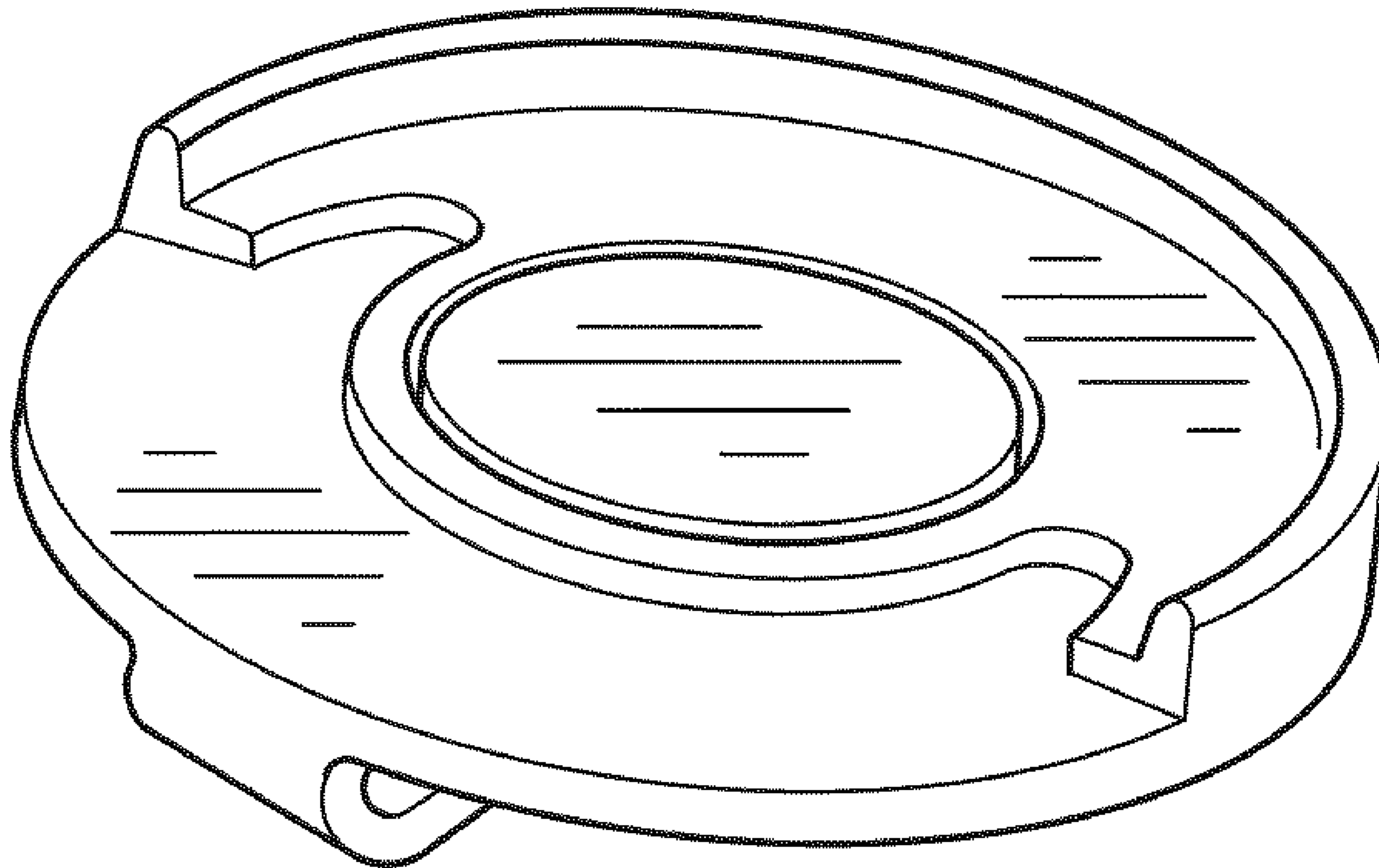
FIG. 4 is a top view thereof;

FIG. 5 is a right-side view thereof;

FIG. 6 is a front view thereof; and,

FIG. 7 is a bottom view thereof.

1 Claim, 1 Drawing Sheet



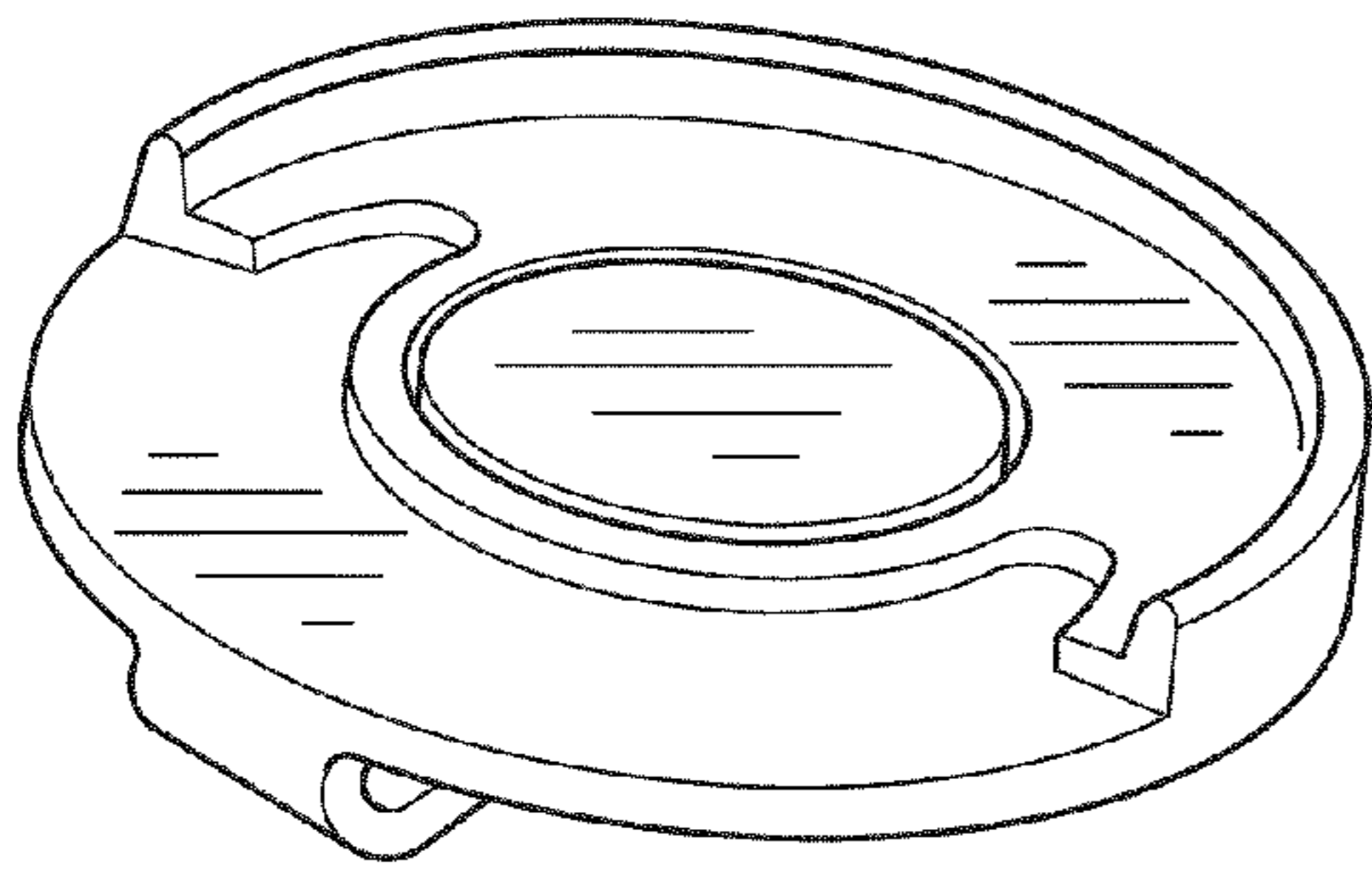


FIG. 1

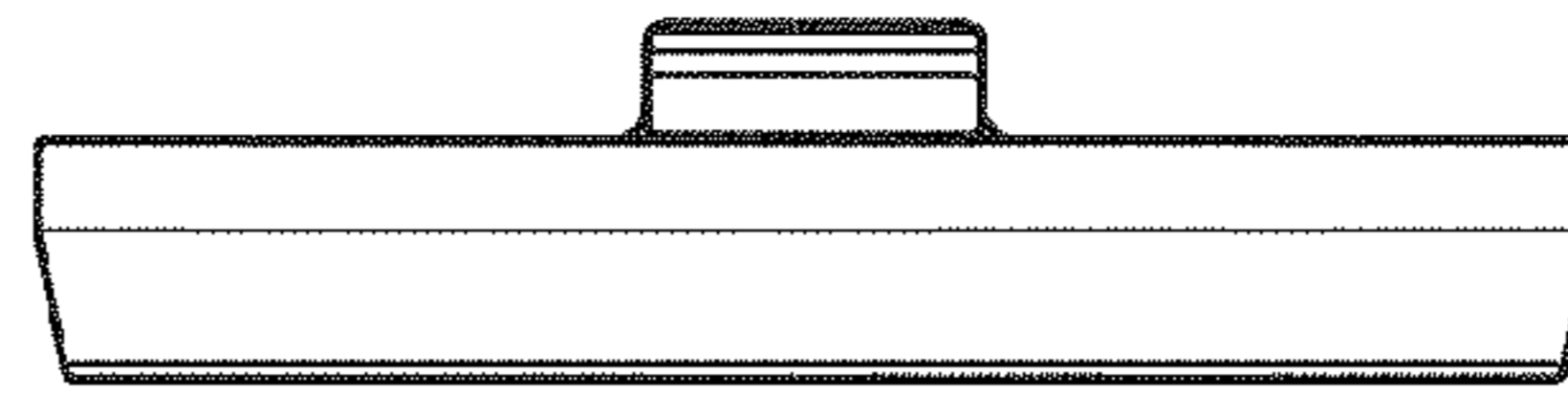


FIG. 2

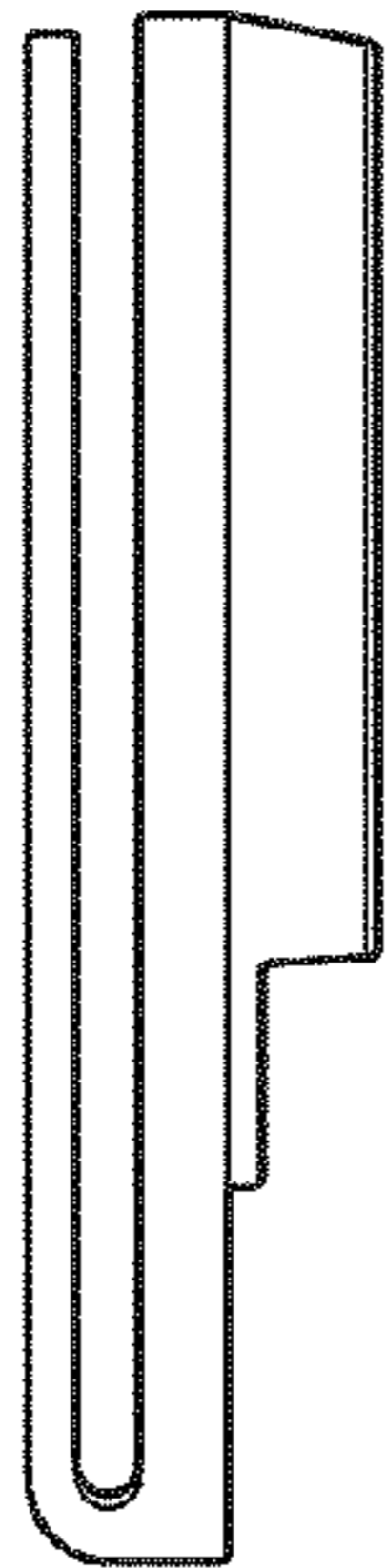


FIG. 3

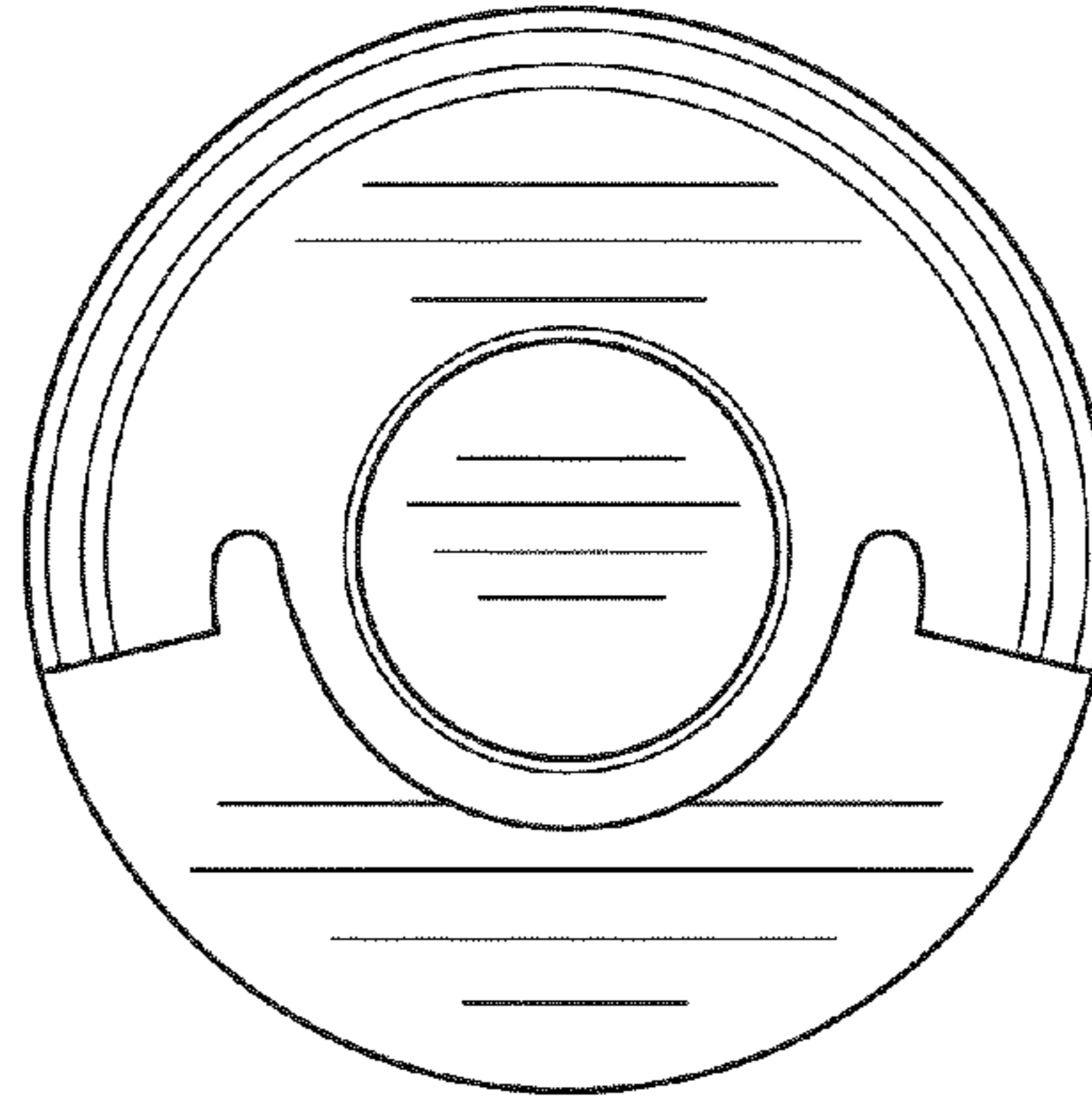


FIG. 4

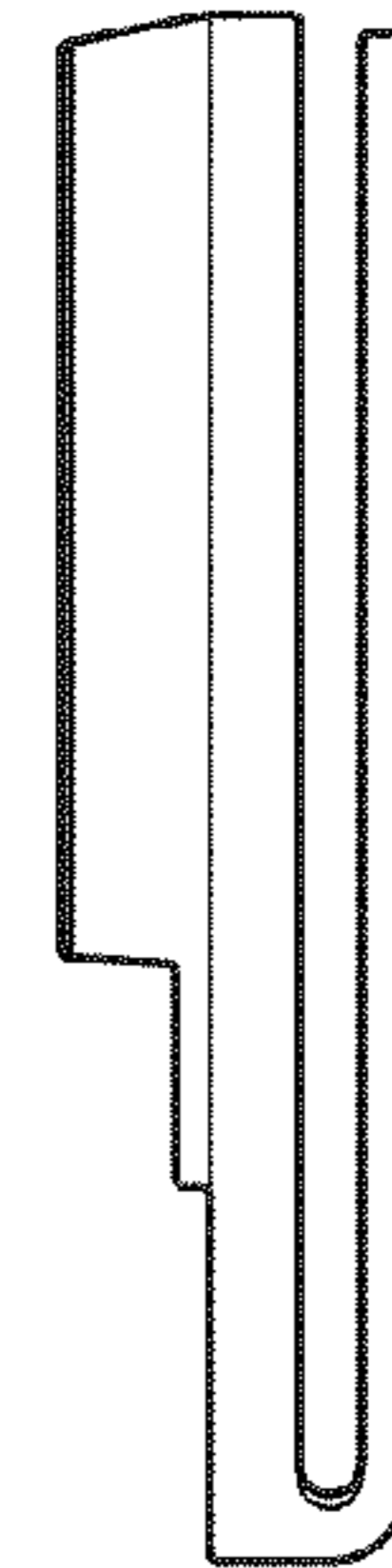


FIG. 5

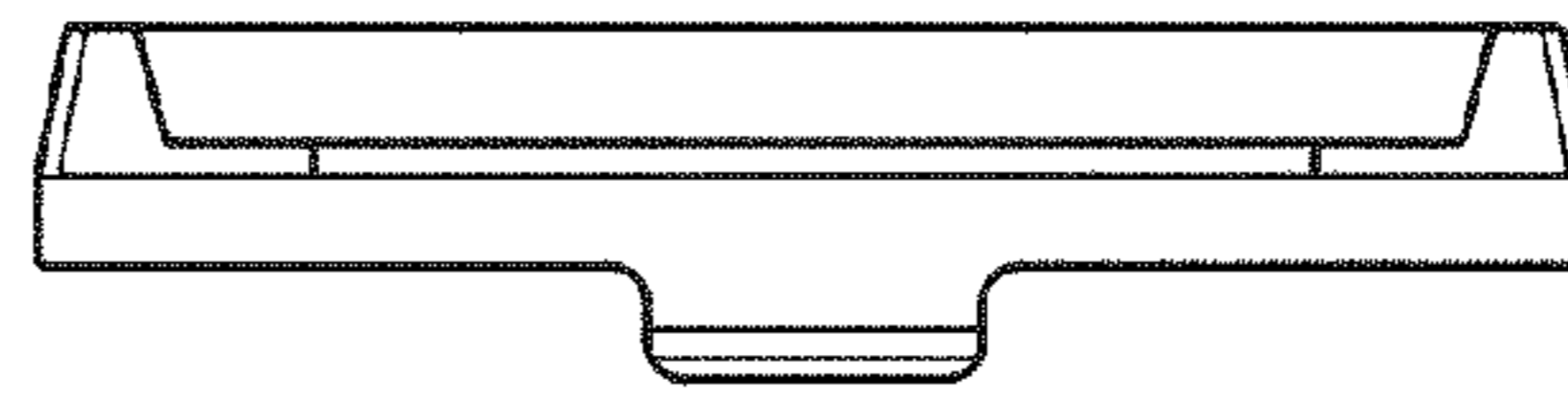


FIG. 6

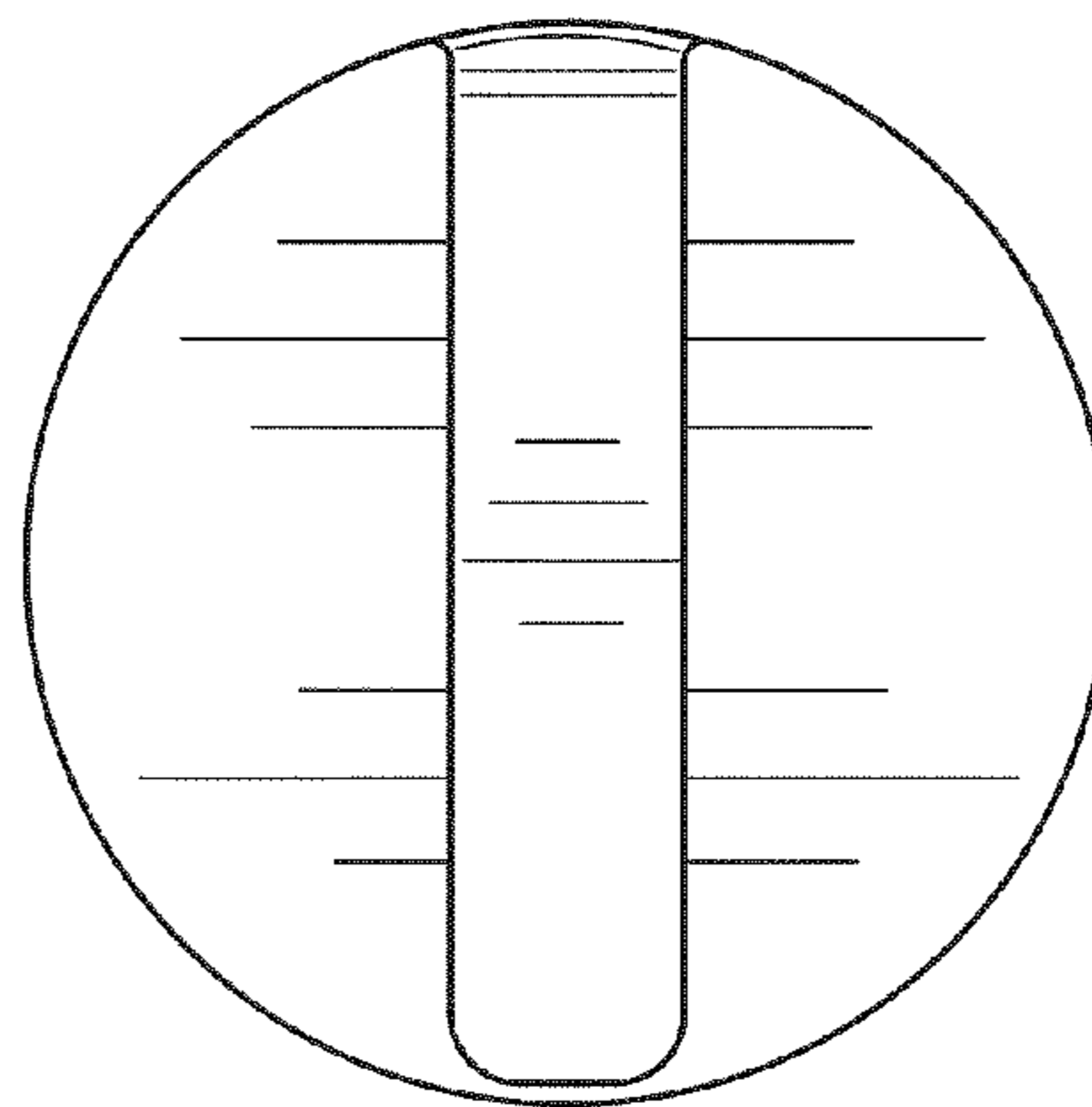


FIG. 7