



US00D650942S

(12) **United States Design Patent**
Choi

(10) **Patent No.:** **US D650,942 S**

(45) **Date of Patent:** **** Dec. 20, 2011**

(54) **HAIR BRUSH IRON**

(76) Inventor: **Myung Pyo Choi**, Gyeonggi-do (KR)

(**) Term: **14 Years**

(21) Appl. No.: **29/396,784**

(22) Filed: **Jul. 7, 2011**

(30) **Foreign Application Priority Data**

Jun. 14, 2011 (KR) 30-2011-0024314

(51) **LOC (9) Cl.** **28-03**

(52) **U.S. Cl.** **D28/35**

(58) **Field of Classification Search** D28/35-38;
131/223-272; 219/222, 225-226; D4/116
See application file for complete search history.

(56) **References Cited**

U.S. PATENT DOCUMENTS

D251,205 S *	2/1979	Ergaver et al.	D28/35
D269,298 S *	6/1983	Oberheim	D28/35
D294,527 S *	3/1988	Oberheim	D28/35
D313,871 S *	1/1991	Oberheim	D28/35
D314,064 S *	1/1991	Ho	D28/35
D334,666 S *	4/1993	Bell et al.	D28/35
D441,137 S *	4/2001	McCurrach	D28/35
D455,861 S *	4/2002	McCurrach	D28/35

D556,948 S *	12/2007	Leung	D28/35
7,478,640 B2 *	1/2009	Saida et al.	132/228
D607,603 S *	1/2010	Schmitz	D28/35
D608,947 S *	1/2010	Schmitz	D28/35
2011/0114111 A1 *	5/2011	Guthans	132/211

* cited by examiner

Primary Examiner — Jennifer Rivard

(74) *Attorney, Agent, or Firm* — Yoo & Associates, Inc.

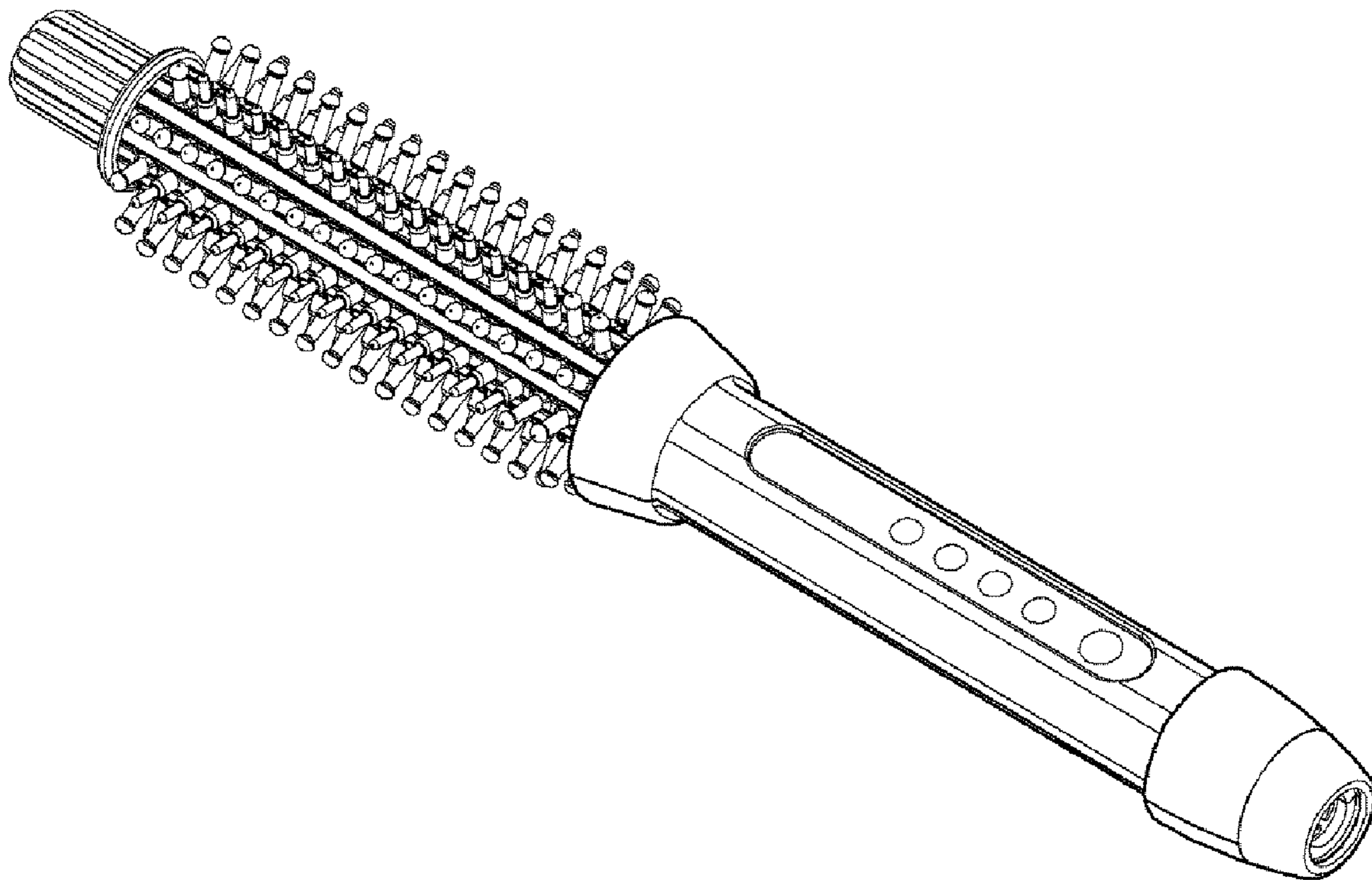
(57) **CLAIM**

The ornamental design for the hair brush iron, as shown and described.

DESCRIPTION

FIG. 1 is a perspective view of a hair brush iron according to the present invention;
FIG. 2 is a front view of the hair brush iron of FIG. 1;
FIG. 3 is a rear view of the hair brush iron of FIG. 1;
FIG. 4 is a left side view of the hair brush iron of FIG. 1;
FIG. 5 is a right side view of the hair brush iron of FIG. 1;
FIG. 6 is top plan view of the hair brush iron of FIG. 1; and,
FIG. 7 is a bottom plan view of the hair brush iron of FIG. 1.
The broken lines shown in the drawings illustrate portions of the article and form no part of the claimed design.

1 Claim, 4 Drawing Sheets



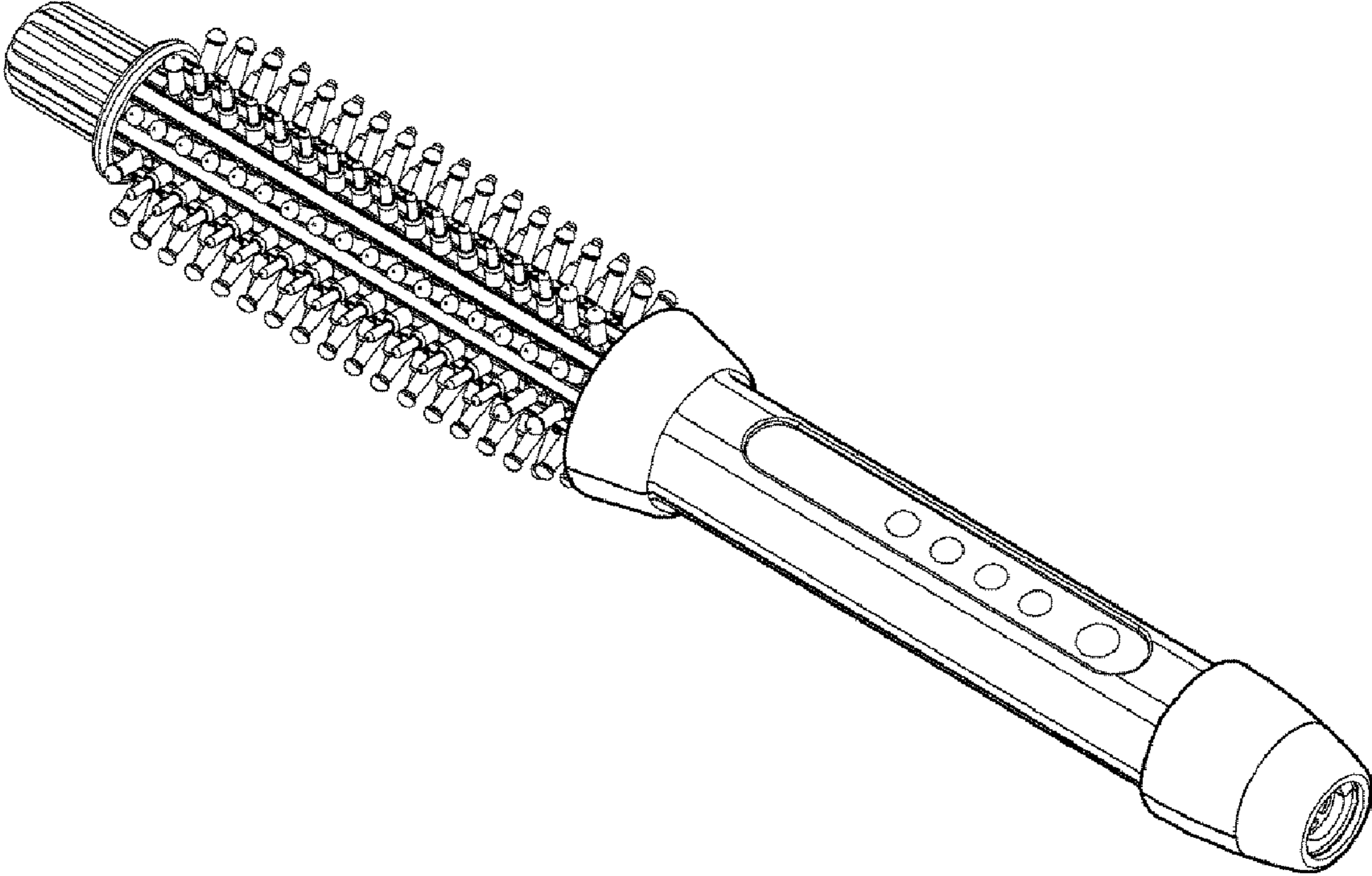


Fig. 1

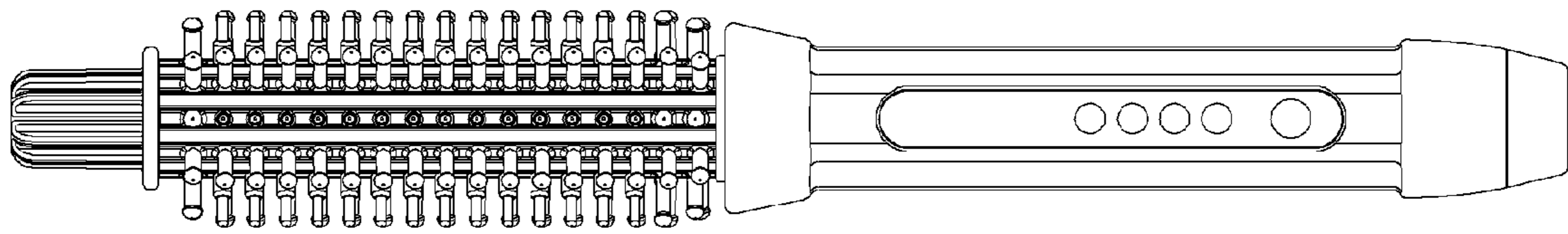


Fig. 2

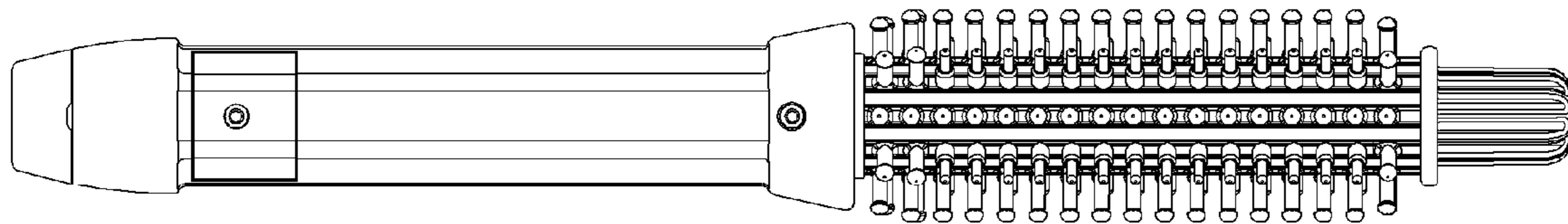


Fig. 3

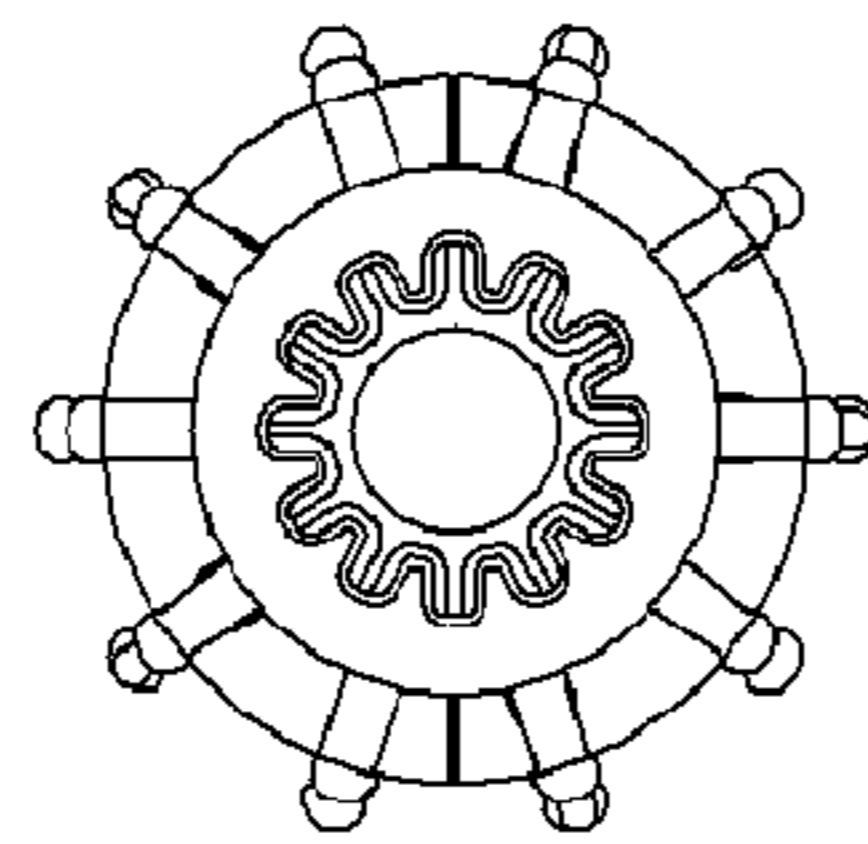


Fig. 4

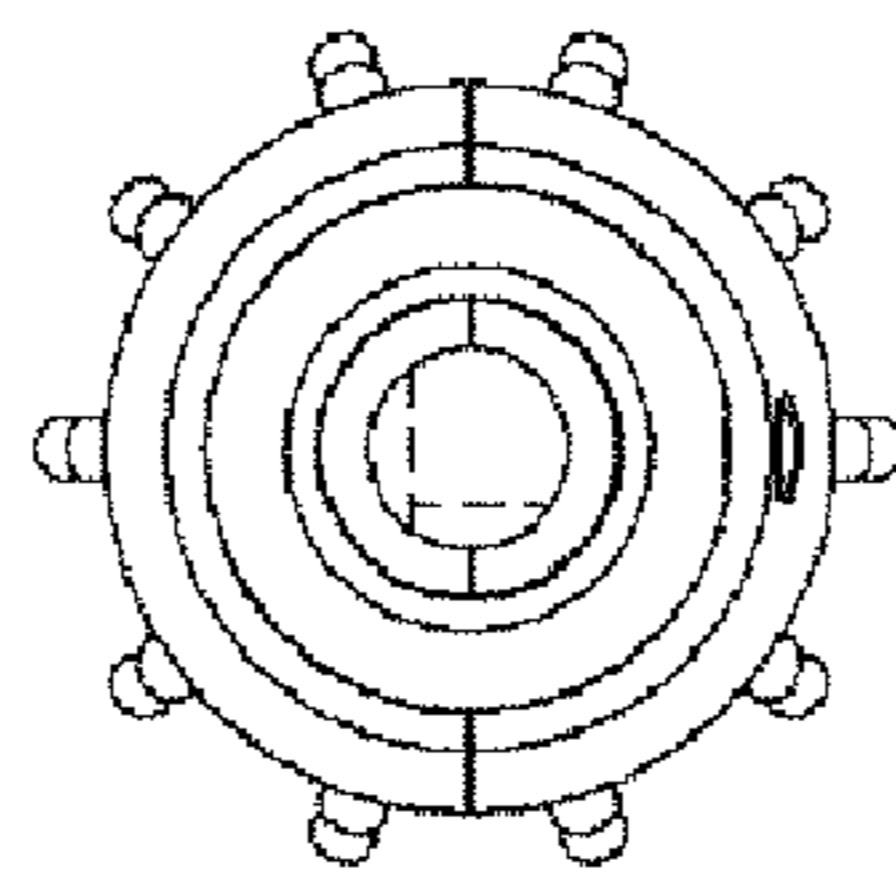


Fig. 5

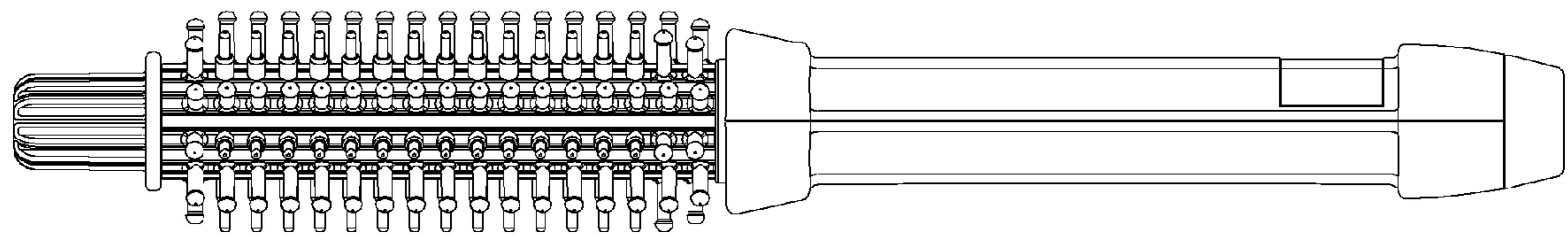


Fig. 6

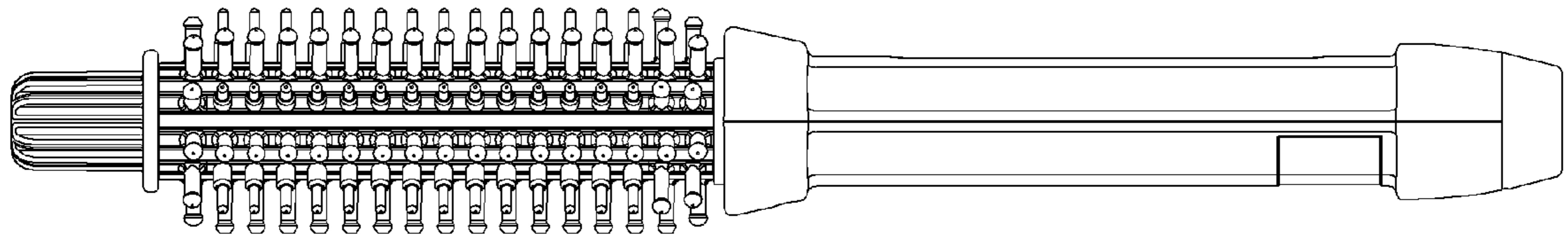


Fig. 7