



US00D650941S

(12) **United States Design Patent**  
**Sidebotham**

(10) **Patent No.:** **US D650,941 S**

(45) **Date of Patent:** **\*\* Dec. 20, 2011**

(54) **HAIR STYLING IRON**

(75) Inventor: **Robert Mark Sidebotham**, Eversley  
(GB)

(73) Assignee: **Conair Corporation**, Stamford, CT  
(US)

(\*\*) Term: **14 Years**

(21) Appl. No.: **29/376,949**

(22) Filed: **Oct. 14, 2010**

(51) **LOC (9) Cl.** ..... **28-03**

(52) **U.S. Cl.** ..... **D28/35**

(58) **Field of Classification Search** ..... D28/35-38;  
131/223-272; 219/222, 225-226  
See application file for complete search history.

(56) **References Cited**

U.S. PATENT DOCUMENTS

D596,798 S \* 7/2009 Keong ..... D28/35  
D607,602 S \* 1/2010 Kwok ..... D28/35

D609,401 S \* 2/2010 Yang ..... D28/35  
D627,925 S \* 11/2010 Nenadich ..... D28/35  
D632,428 S \* 2/2011 Kim ..... D28/35

\* cited by examiner

*Primary Examiner* — Jennifer Rivard

(74) *Attorney, Agent, or Firm* — Lawrence Cruz

(57) **CLAIM**

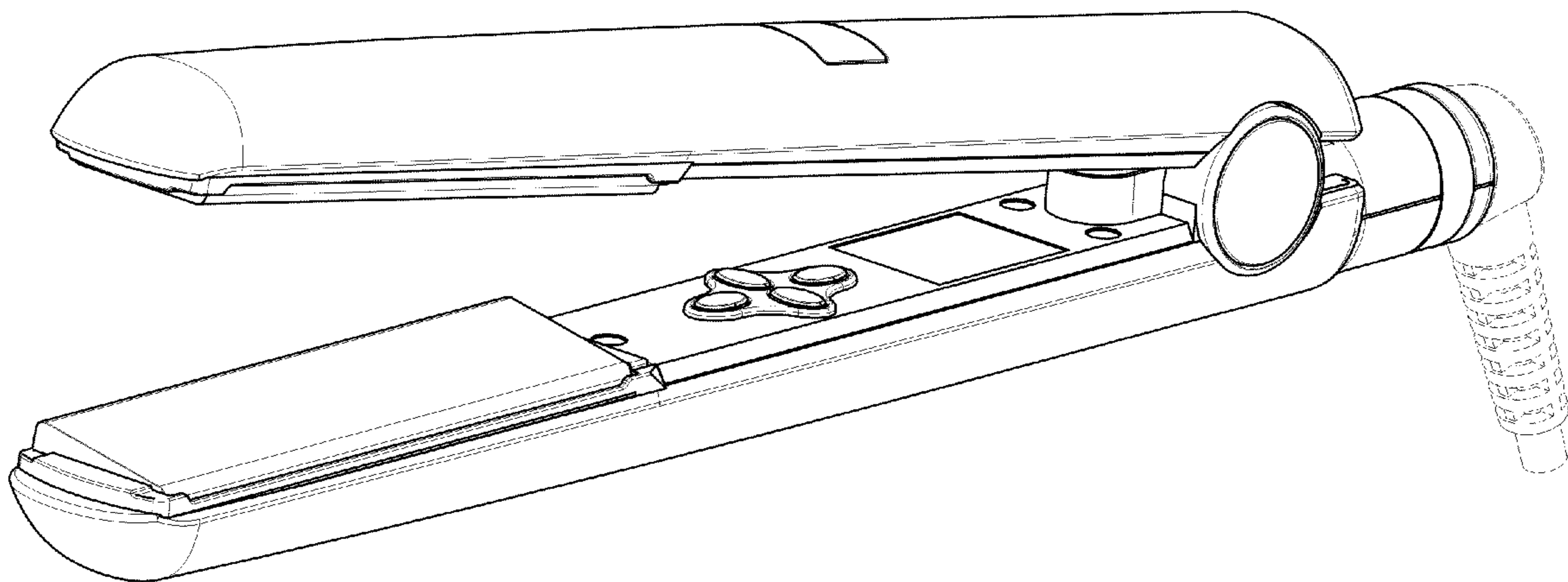
The ornamental design for a hair styling iron, as shown and described.

**DESCRIPTION**

FIG. 1 is a perspective view of a hair styling iron showing a new design;  
FIG. 2 is a top view thereof;  
FIG. 3 is a bottom view thereof;  
FIG. 4 is a left side view thereof;  
FIG. 5 is a right side view thereof;  
FIG. 6 is a back view thereof; and,  
FIG. 7 is a front view thereof.

The broken lines illustrate portions of the hair styling iron and form no part of the claimed design.

**1 Claim, 6 Drawing Sheets**



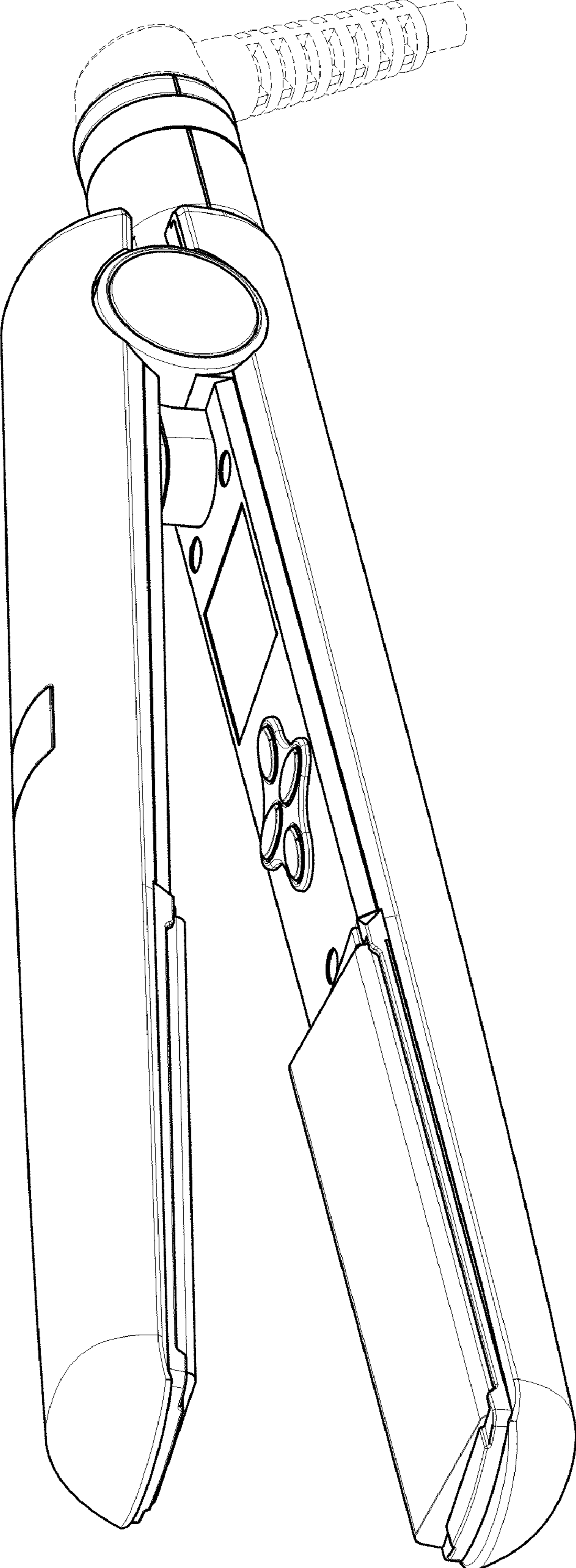


FIG. 1

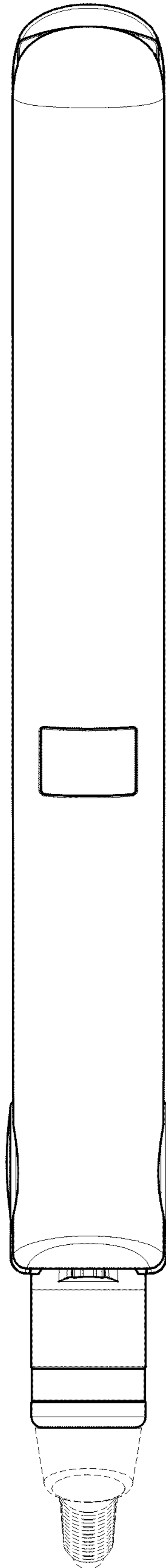


FIG. 2

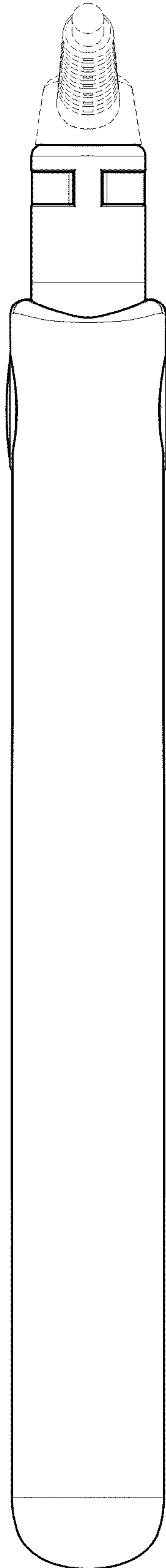


FIG. 3

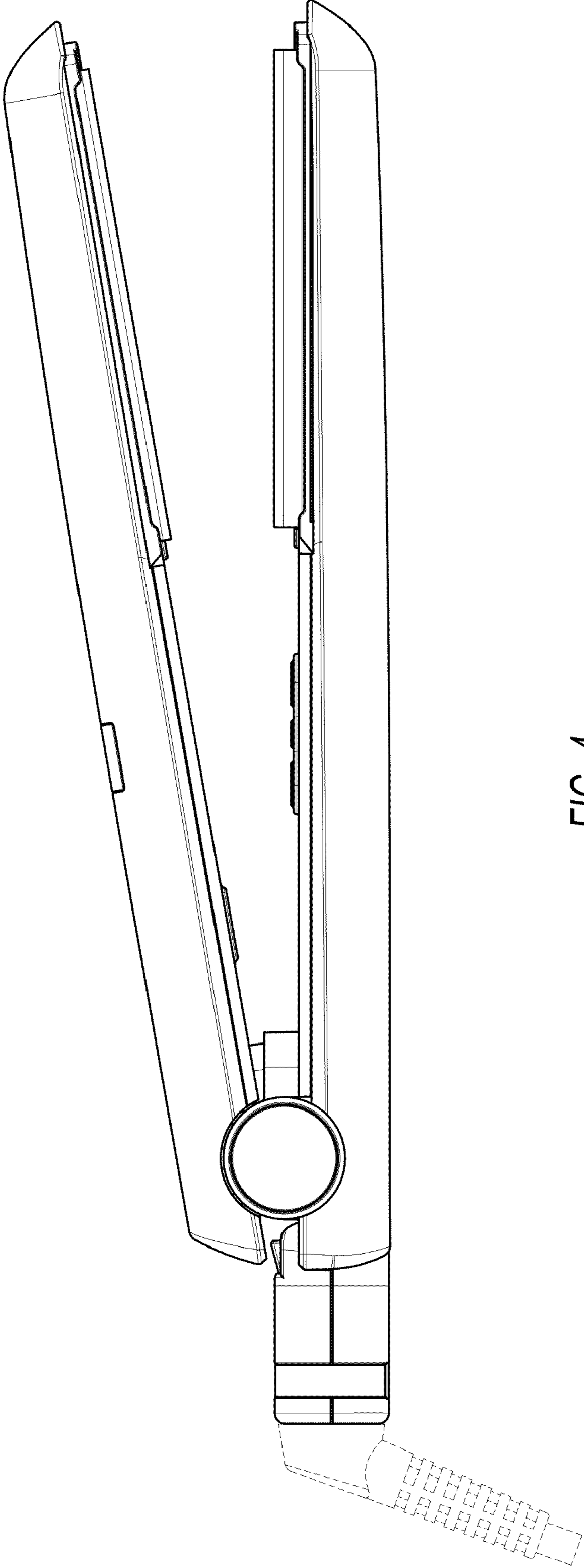


FIG. 4

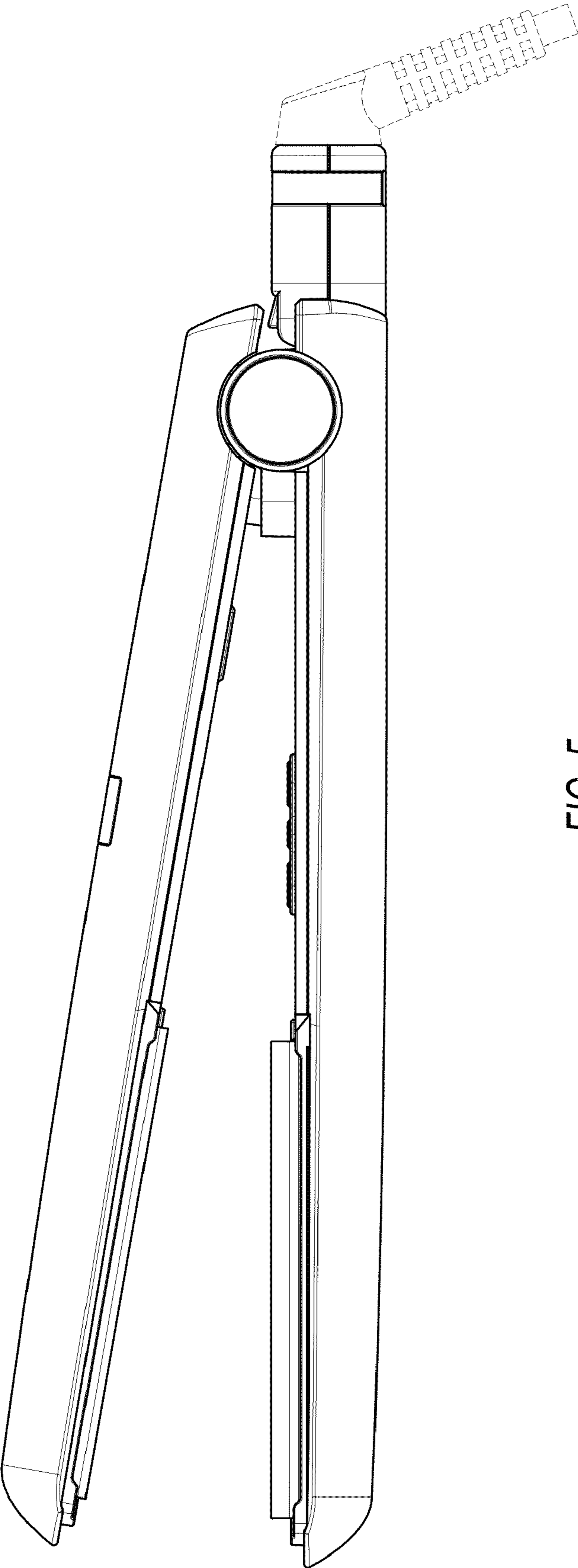


FIG. 5

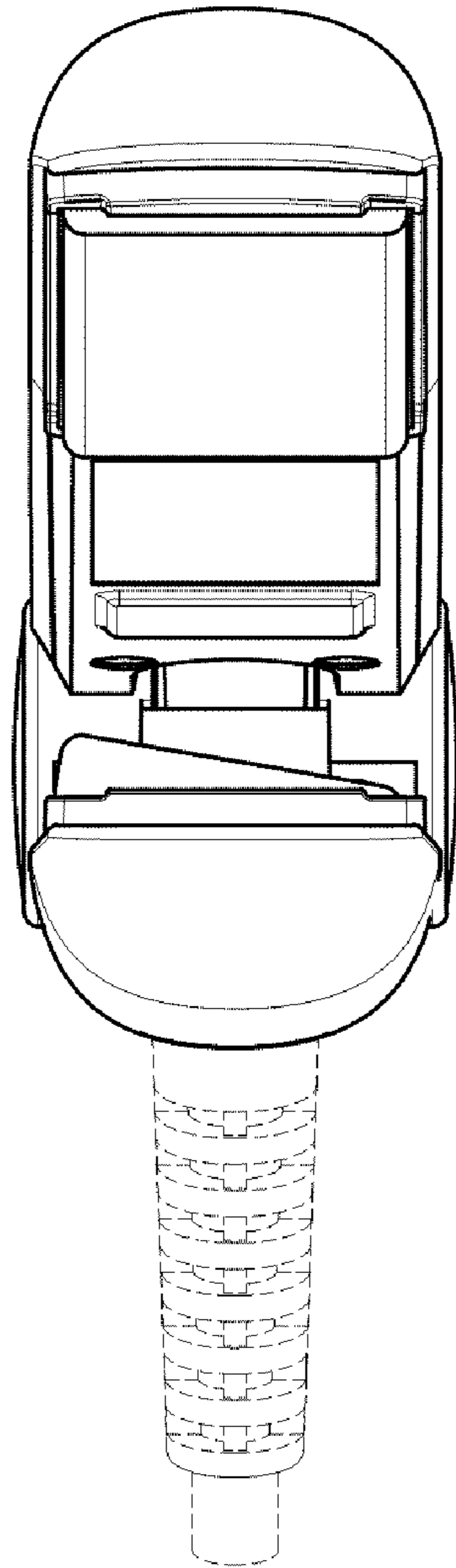


FIG. 6

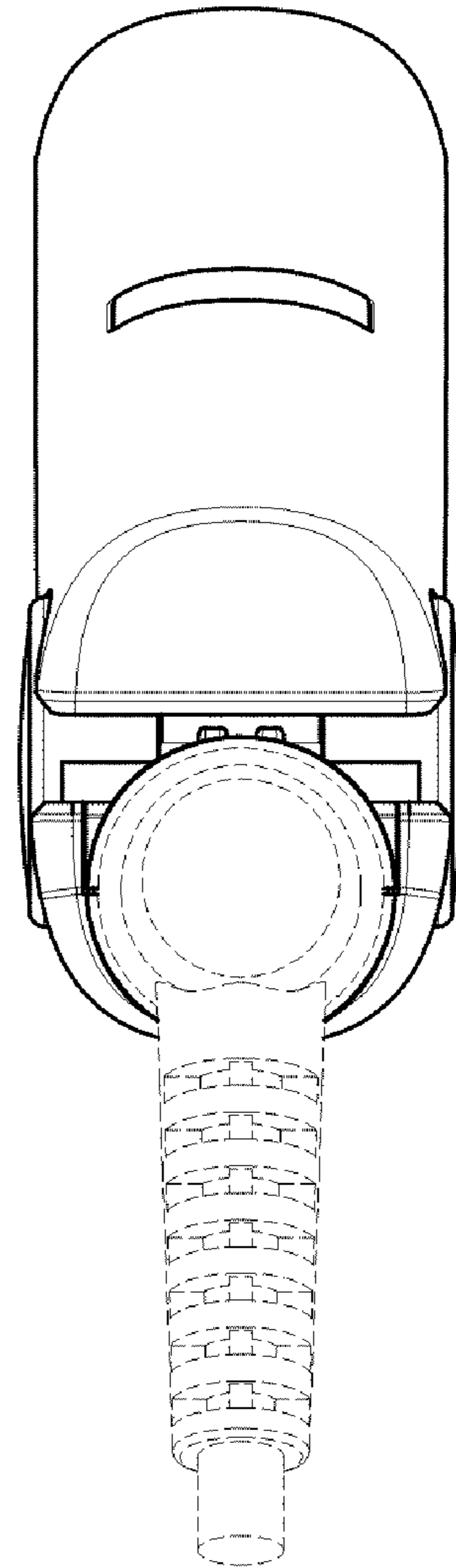


FIG. 7