



US00D650940S

(12) **United States Design Patent**
Katz et al.

(10) **Patent No.:** **US D650,940 S**

(45) **Date of Patent:** **** Dec. 20, 2011**

(54) **HOUSING END FOR LIGHTING FIXTURE**

(75) Inventors: **Stanley A. Katz**, Westerly, RI (US);
Richard D. Edwards, Jr., Westerly, RI (US)

(73) Assignee: **GreenDot Technologies, LLC**,
Mansfield, MA (US)

(**) Term: **14 Years**

(21) Appl. No.: **29/386,953**

(22) Filed: **Mar. 7, 2011**

(51) **LOC (9) Cl.** **26-99**

(52) **U.S. Cl.** **D26/138**

(58) **Field of Classification Search** D26/118,
D26/120, 138, 76, 78, 86, 2, 72, 67, 89, 60,
D26/74, 81, 85, 113, 119, 122, 128, 129,
D26/140, 142, 145, 152, 132, 93, 94, 3, 154,
D26/87, 42, 37; D34/29; 315/194, 51; 362/612,
362/307, 294, 545, 555, 146, 145, 396, 362,
362/260; 165/185, 121, 80.3; D12/162;
D8/354, 355, 356, 363, 373, 349, 376; 16/340;
D13/179, 180, 134; D25/163, 157, 158
See application file for complete search history.

(56) **References Cited**

U.S. PATENT DOCUMENTS

D132,869	S	*	6/1942	Winkler et al.	D26/76
3,996,493	A	*	12/1976	Davenport et al.	315/58
4,130,860	A	*	12/1978	Careglio et al.	362/217.08
D261,057	S	*	9/1981	Wotowiec et al.	D26/93
4,376,966	A	*	3/1983	Tieszzen	362/249.01
D280,025	S	*	8/1985	Waters	D26/24
D295,329	S	*	4/1988	Roos et al.	D26/75
4,866,584	A		9/1989	Plewman		
5,437,504	A		8/1995	Halvatzis		
D371,858	S	*	7/1996	Waldmann	D26/76
D381,734	S	*	7/1997	Murphy	D22/134

(Continued)

OTHER PUBLICATIONS

Edwards, "U.S. Appl. No. 13/041,807, Vapor-Tight Lighting Fixture", Mar. 7, 2011.

(Continued)

Primary Examiner — Kevin Rudzinski

(74) *Attorney, Agent, or Firm* — William A. Loginov, Esq.;
Loginov & Associates, PLLC

(57) **CLAIM**

The ornamental design for a housing end for lighting fixture, substantially as shown and described.

DESCRIPTION

FIG. 1 is a perspective view of a housing end assembly for a lighting fixture with tubular lens, showing our new design, according to the first embodiment;

FIG. 2 is a front elevation view thereof, according to the first embodiment;

FIG. 3 is a rear elevation view thereof, according to the first embodiment;

FIG. 4 is a right side elevation view thereof, according to the first embodiment;

FIG. 5 is a left side elevation view thereof, according to the first embodiment;

FIG. 6 is a top plan view thereof, according to the first embodiment; and

FIG. 7 is a bottom plan view thereof, according to the first embodiment;

FIG. 8 is a perspective view of a housing end for a lighting fixture with tubular lens according to a second embodiment;

FIG. 9 is a front elevation view thereof, according to the second embodiment;

FIG. 10 is a rear elevation view thereof, according to the second embodiment;

FIG. 11 is a right side elevation view thereof, according to the second embodiment;

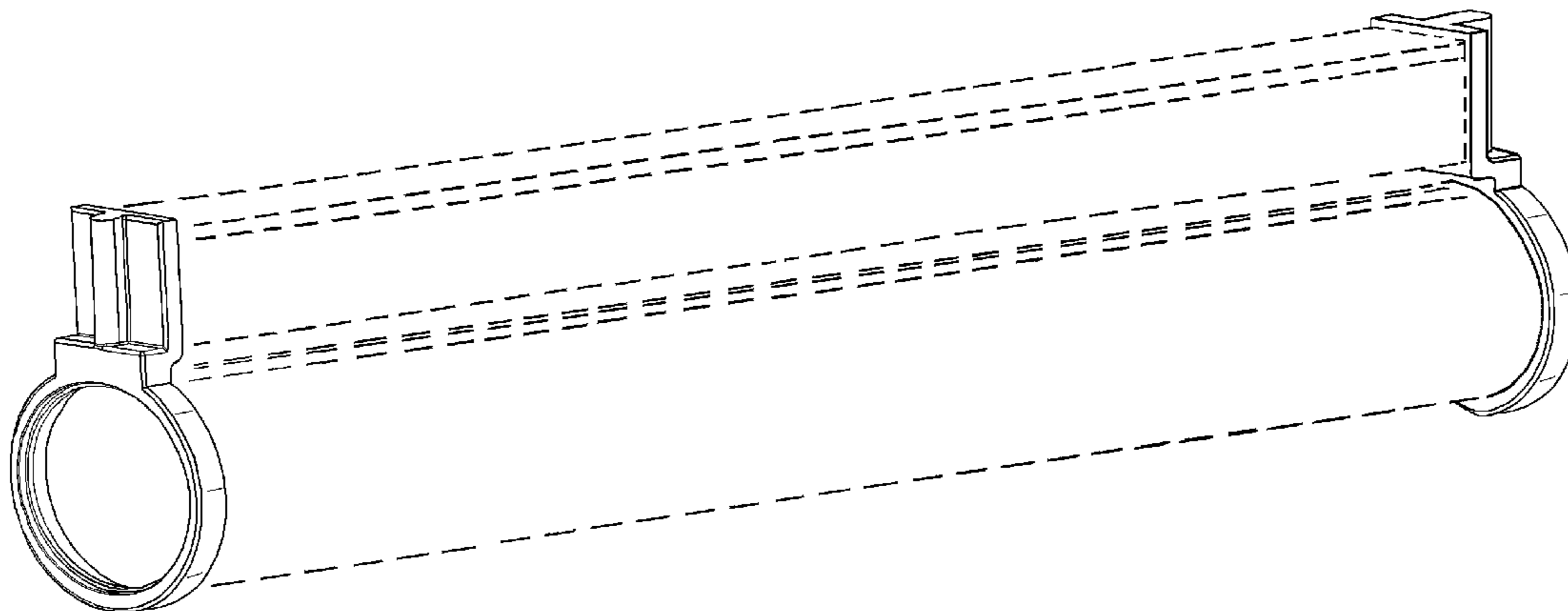
FIG. 12 is a left side elevation view thereof, according to the second embodiment;

FIG. 13 is a top plan view thereof, according to the second embodiment; and,

FIG. 14 is a bottom plan view thereof, according to the second embodiment.

The broken lines shown in the drawings illustrate unclaimed environmental structure and form no part of the claimed design.

1 Claim, 4 Drawing Sheets



US D650,940 S

Page 2

U.S. PATENT DOCUMENTS

D422,738 S * 4/2000 Spitler D26/86
6,132,061 A 10/2000 Andrus et al.
6,135,613 A 10/2000 Bodell et al.
6,193,394 B1 2/2001 Herst et al.
D440,941 S * 4/2001 Parekh D13/134
D457,664 S * 5/2002 Moriyama et al. D26/3
6,386,736 B1 5/2002 Reiff et al.
6,425,681 B1 7/2002 Agabekov
D465,038 S * 10/2002 Bragg et al. D26/27
6,561,676 B1 5/2003 Fischer et al.
6,749,322 B2 6/2004 Chen
6,962,425 B1 11/2005 Rhee
6,979,097 B2 12/2005 Elam et al.
D521,676 S * 5/2006 Richner D26/78
D547,897 S * 7/2007 Willmorth et al. D26/76
D549,382 S 8/2007 Lee
7,284,878 B2 10/2007 Dorogi et al.
D554,793 S * 11/2007 Bobel D26/76
D554,794 S * 11/2007 Tseng D26/78
7,300,180 B2 11/2007 Hutchison et al.
7,303,310 B2 12/2007 You et al.
D589,199 S 3/2009 Pedersen
7,513,675 B2 4/2009 Mier-Langner et al.
7,524,090 B2 4/2009 Hargreaves
D595,444 S * 6/2009 Shimomura D26/76
D597,242 S * 7/2009 Purcell D26/76

D603,078 S * 10/2009 Noh D26/76
D603,089 S * 10/2009 Uchida et al. D26/138
7,674,005 B2 3/2010 Chung et al.
D627,905 S * 11/2010 Swafford et al. D26/24
2003/0011308 A1 * 1/2003 Crawford et al. 313/623
2006/0098444 A1 * 5/2006 Petruzzi 362/404
2006/0198132 A1 9/2006 Trigiani et al.
2008/0285266 A1 11/2008 Thomas
2009/0116250 A1 * 5/2009 Hargreaves et al. 362/373
2010/0085768 A1 4/2010 Pickett et al.
2010/0214785 A1 8/2010 Chen
2010/0253226 A1 10/2010 Oki
2010/0271812 A1 10/2010 Harnischmacher et al.
2010/0271825 A1 10/2010 Black et al.

OTHER PUBLICATIONS

Edwards, "U.S. Appl. No. 29/386,937, Lighting Fixture With Tubular Lens", Mar. 7, 2011.
Edwards, "U.S. Appl. No. 29/386,949, Endcap for a Lighting Fixture With Tubular Lens", Mar. 7, 2011.
Edwards, "U.S. Appl. No. 29/386,951, Housing Assembly for a Lighting Fixture", Mar. 7, 2011.
"Enclosed & Gasketed Acrylic Tube, Severe Environment", Feb. 9, 2010, Publisher: Columbia Lighting, Published in: US.

* cited by examiner

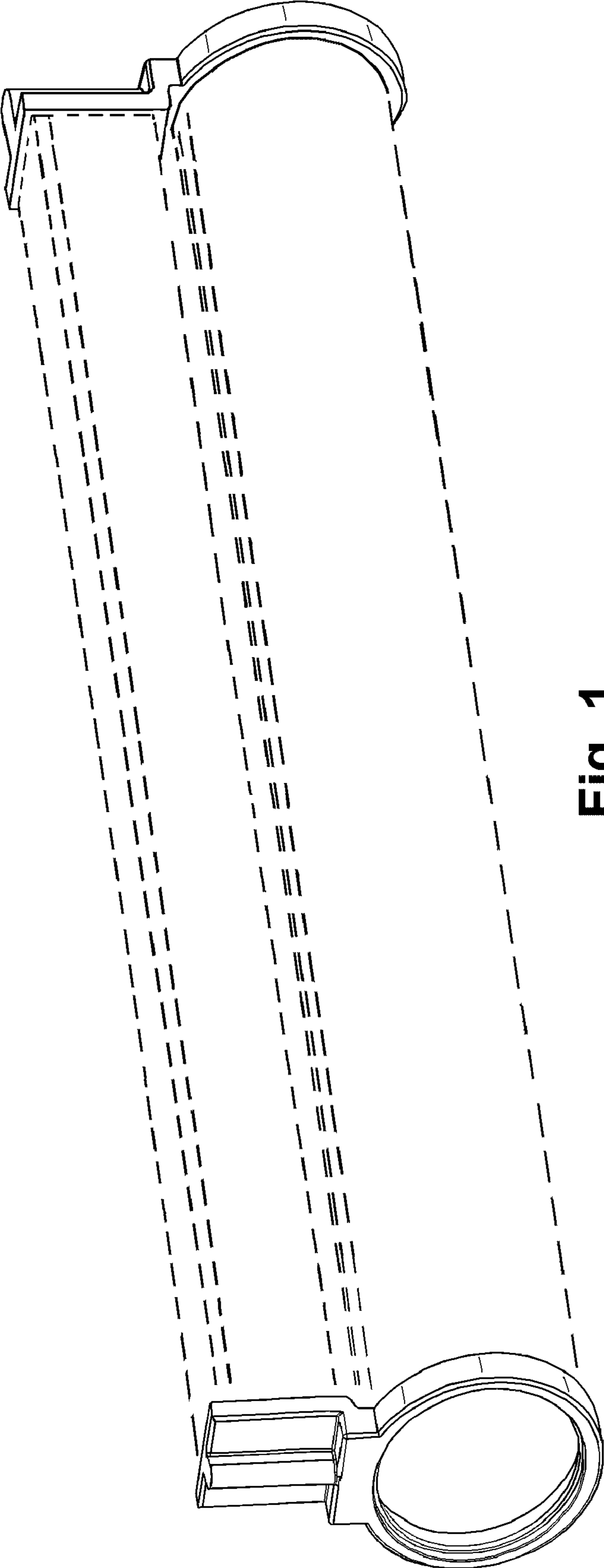


Fig. 1

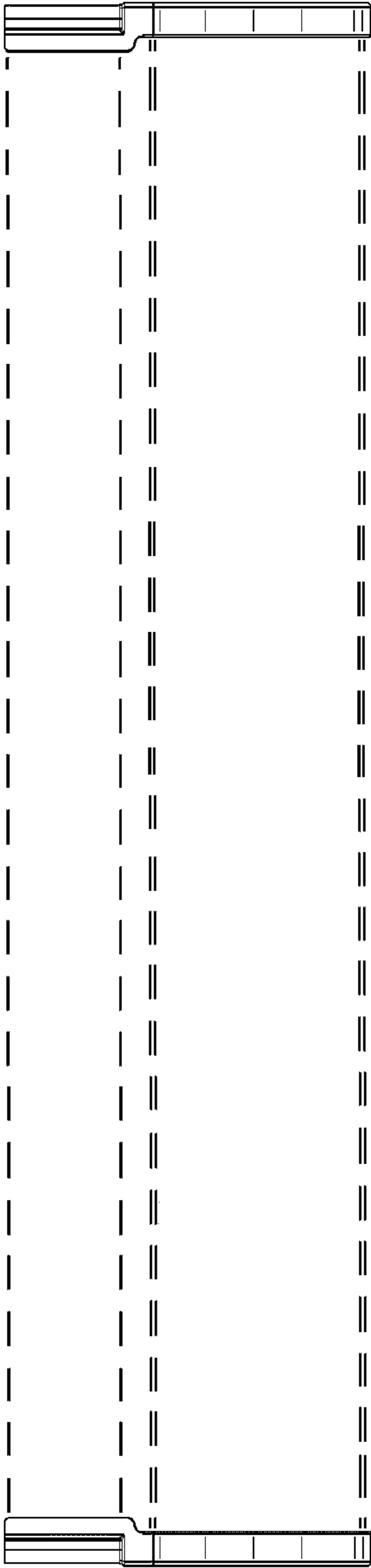


Fig. 2

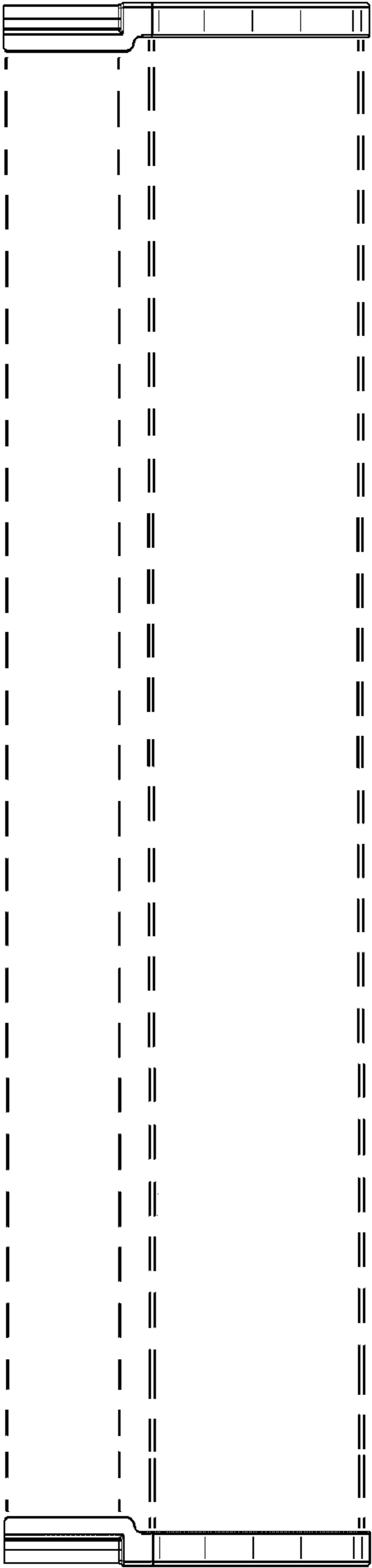


Fig. 3

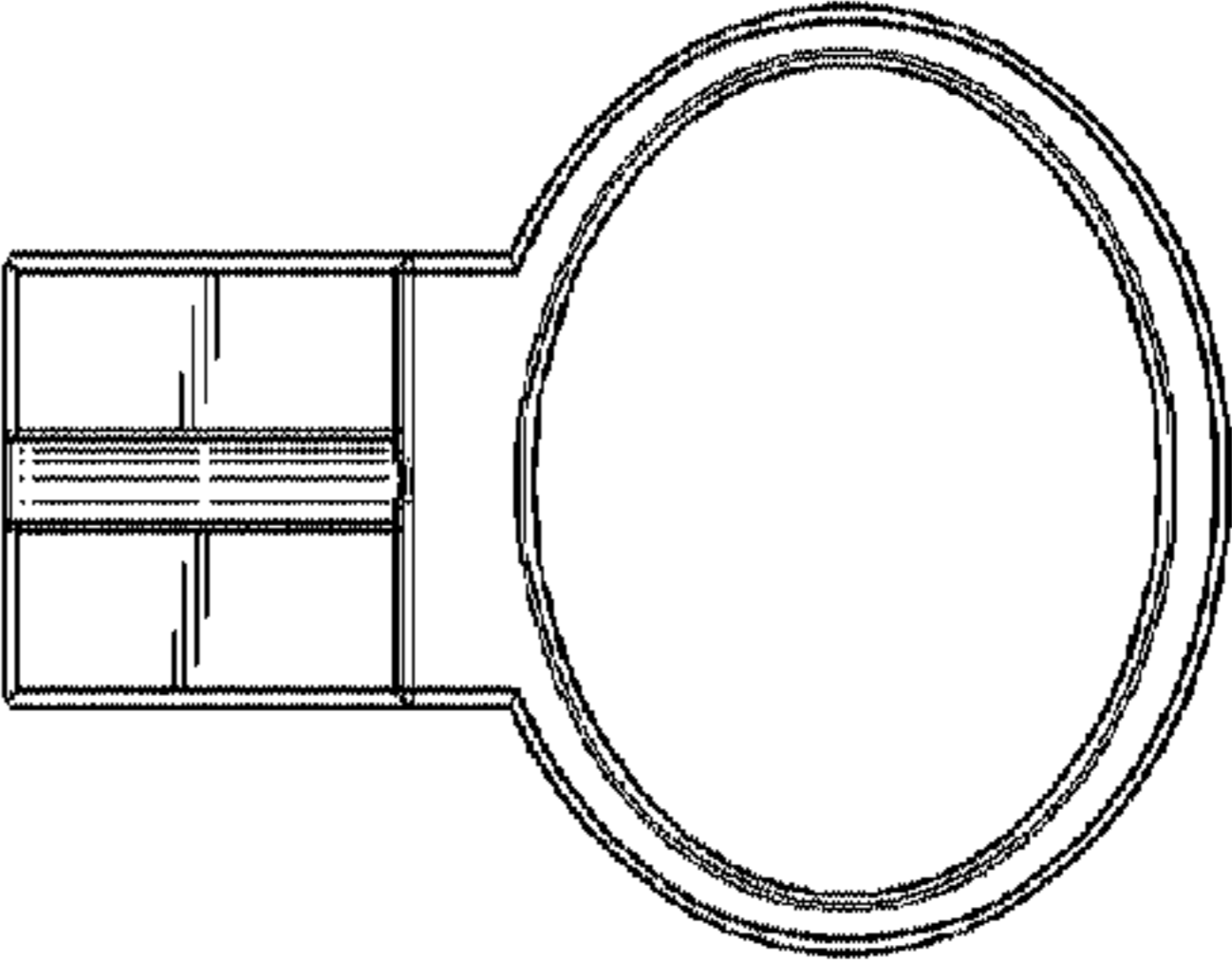


Fig. 4

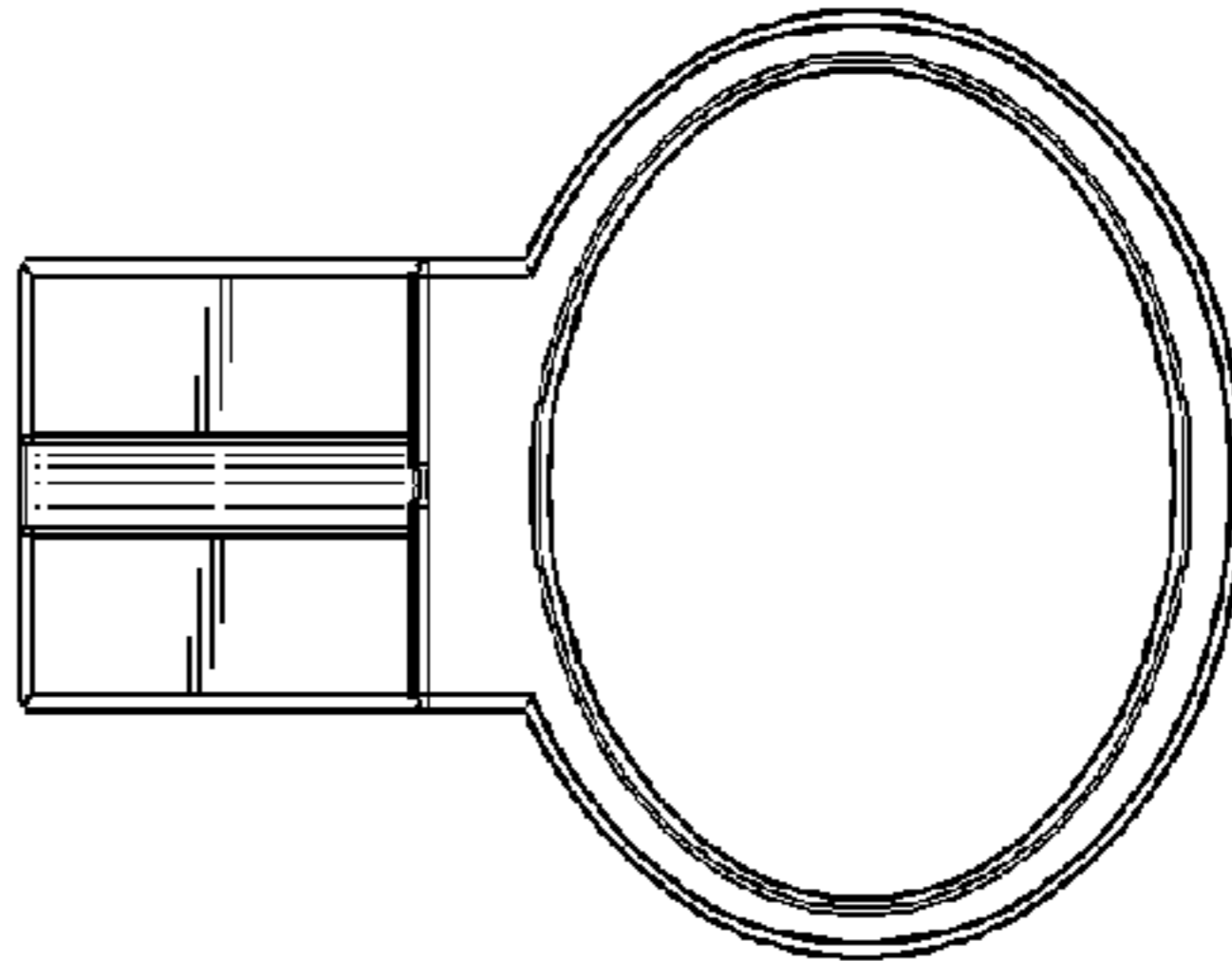


Fig. 5

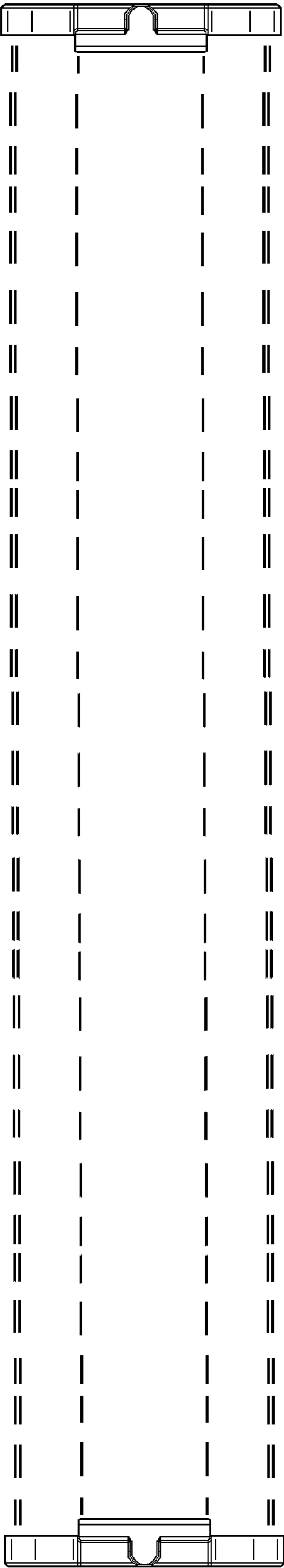


Fig. 6

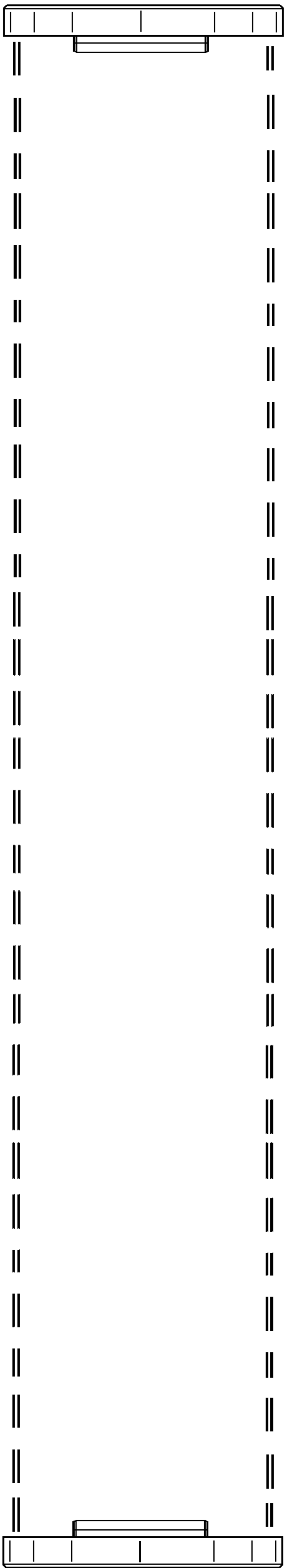


Fig. 7

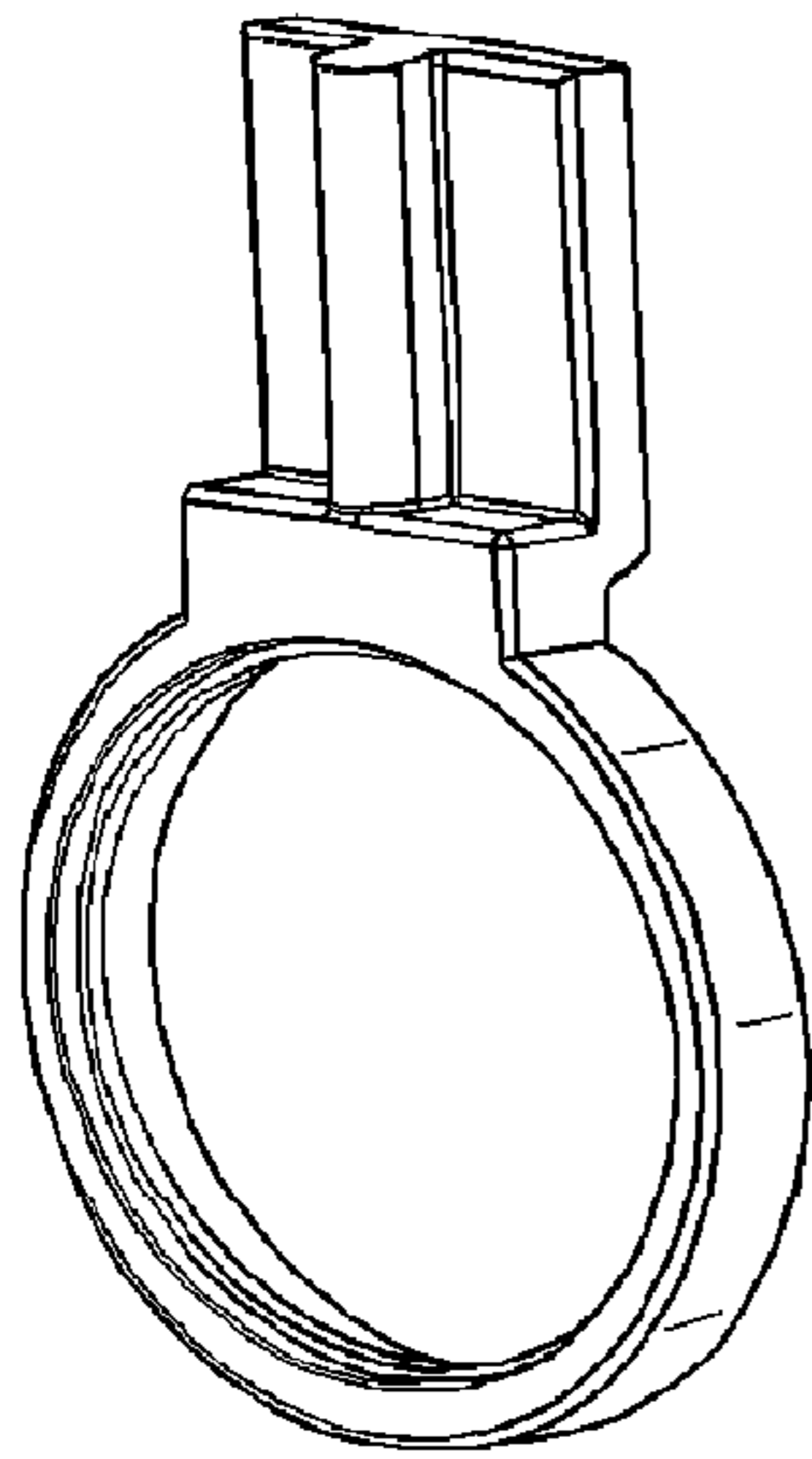


Fig. 8

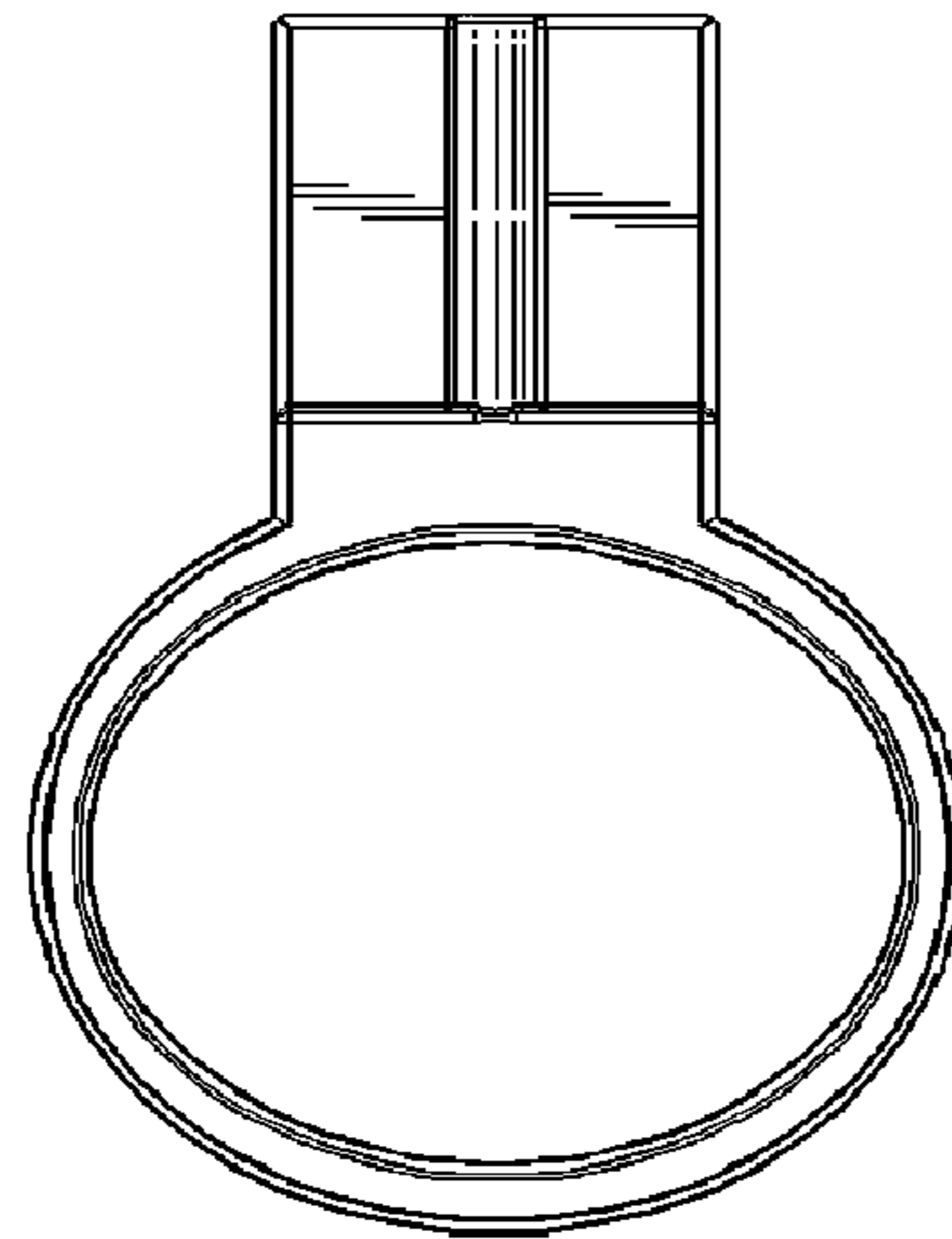


Fig. 9

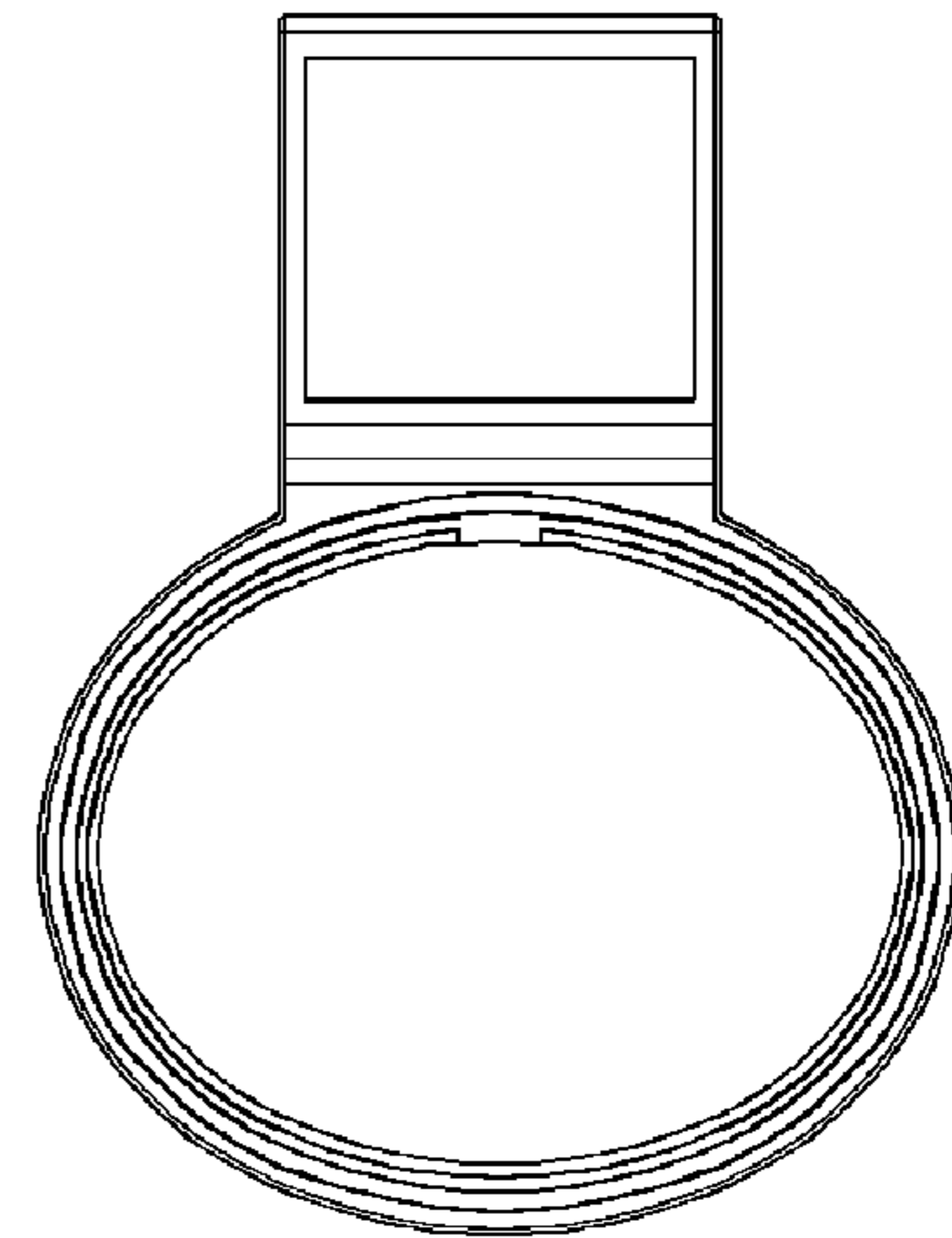


Fig. 10

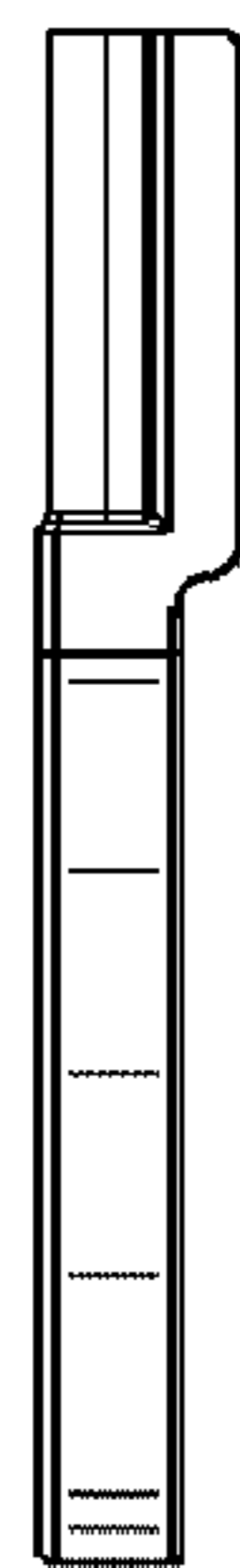


Fig. 11

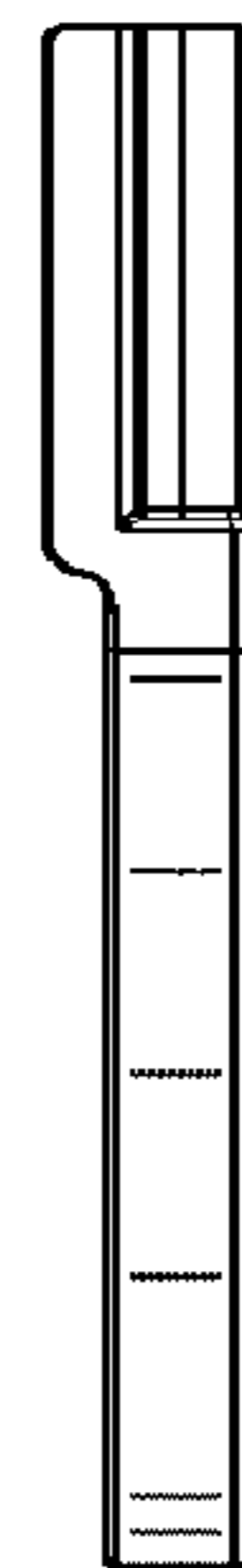


Fig. 12

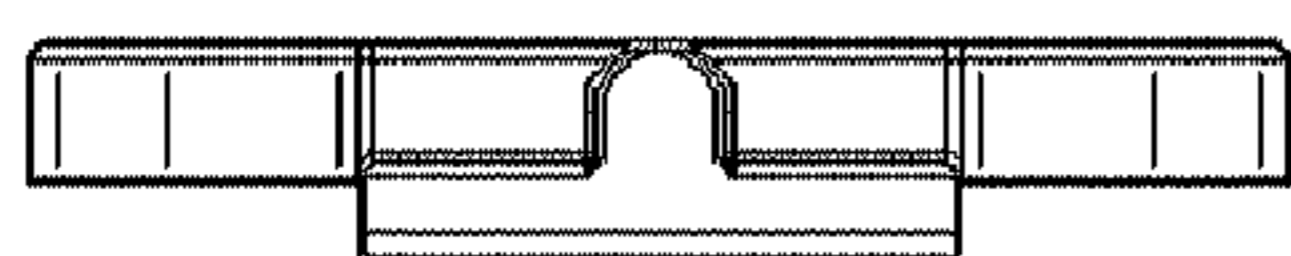


Fig. 13



Fig. 14