



US00D650935S

(12) **United States Design Patent**
Beghelli

(10) **Patent No.:** **US D650,935 S**

(45) **Date of Patent:** **** Dec. 20, 2011**

(54) **LIGHTING APPARATUS**

(75) Inventor: **Gian Pietro Beghelli**, Monteveglio (IT)

(73) Assignee: **Beghelli S.p.A.**, Monteveglio Bologna (IT)

(**) Term: **14 Years**

(21) Appl. No.: **29/376,909**

(22) Filed: **Oct. 13, 2010**

(30) **Foreign Application Priority Data**

Apr. 14, 2010 (EM) 001695263-0004

(51) **LOC (9) Cl.** **26-05**

(52) **U.S. Cl.** **D26/63; D26/118**

(58) **Field of Classification Search** D26/60-66,
D26/72-92, 118; 362/145, 147, 211, 213,
362/220, 219, 217.01, 225, 217.1, 217.11-217.17,
362/640, 227, 232, 235-240, 249.01, 249.03,
362/249.07, 249.1, 249.11, 260, 268, 269,
362/273, 277-285, 287, 322, 362, 368, 370-372,
362/404, 418, 427, 432, 449, 800, 430, 133
See application file for complete search history.

(56) **References Cited**

U.S. PATENT DOCUMENTS

D121,420	S	*	7/1940	Mac Carthy	D26/78
D291,598	S	*	8/1987	Elkerbout	D24/210
5,412,549	A	*	5/1995	Blakely	362/218
5,440,470	A	*	8/1995	Ly	362/341
5,588,738	A	*	12/1996	Meoli	362/184
D391,382	S	*	2/1998	Rahn	D26/63
5,726,722	A	*	3/1998	Uehara et al.	349/66
5,803,589	A	*	9/1998	Lee	362/225
D442,286	S	*	5/2001	Dumas	D24/210
D468,045	S	*	12/2002	Albright	D26/73

6,676,276	B2	*	1/2004	Stephens	362/260
D574,094	S	*	7/2008	Kitagawa et al.	D26/3
D592,784	S	*	5/2009	van den Dool	D26/75

OTHER PUBLICATIONS

Beghelli Maya Design lamp. [Retrieved on Apr. 22, 2011]. Retrieved from the Internet <URL: <http://www.eprice.it/Torce-elettriche-BEGHELLI/s-2498158>. (c) 2000-2009.*

* cited by examiner

Primary Examiner — Susan M Lee

Assistant Examiner — Linda G. Brooks

(74) *Attorney, Agent, or Firm* — Hedman & Costigan, P.C.; James V. Costigan

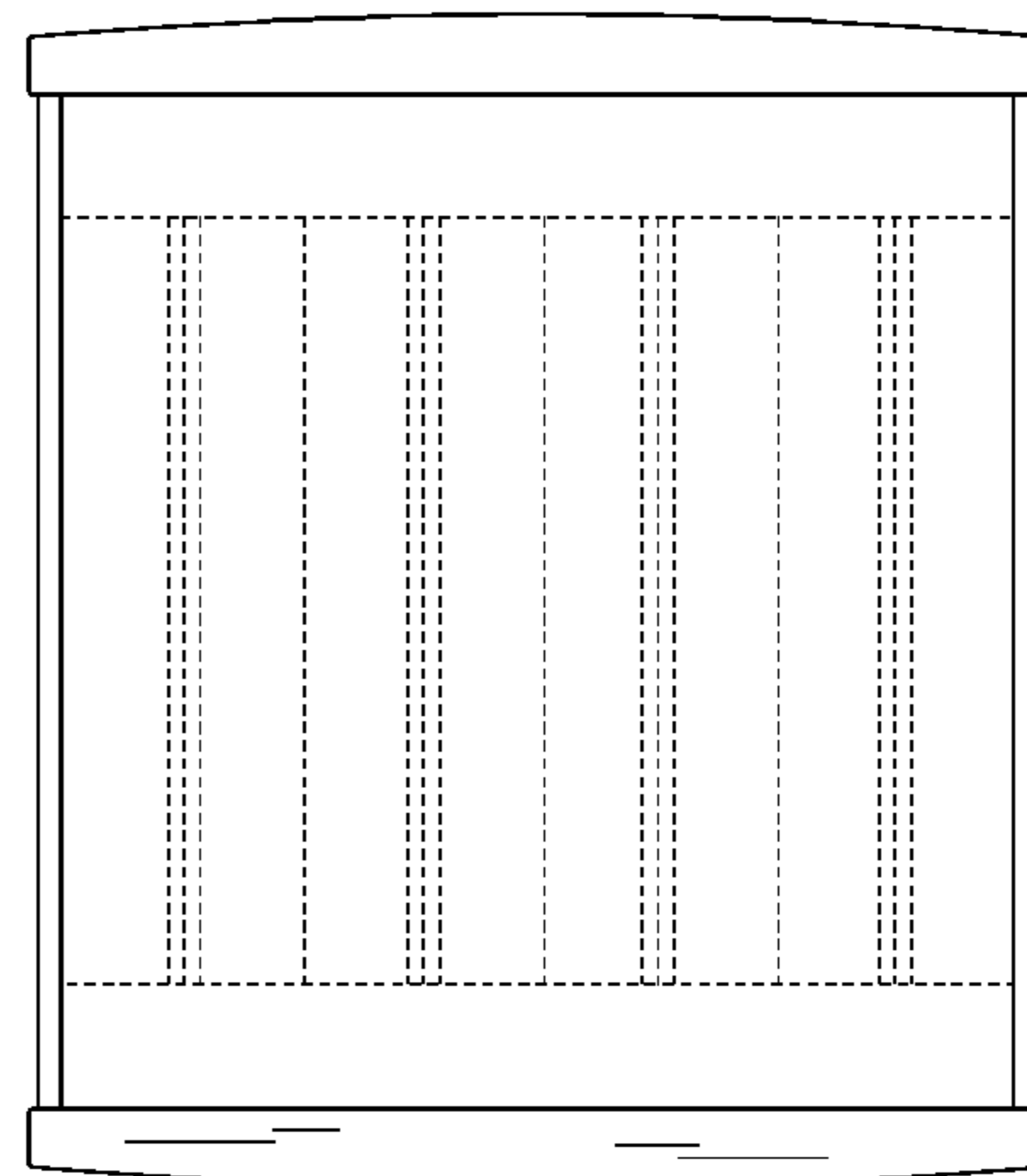
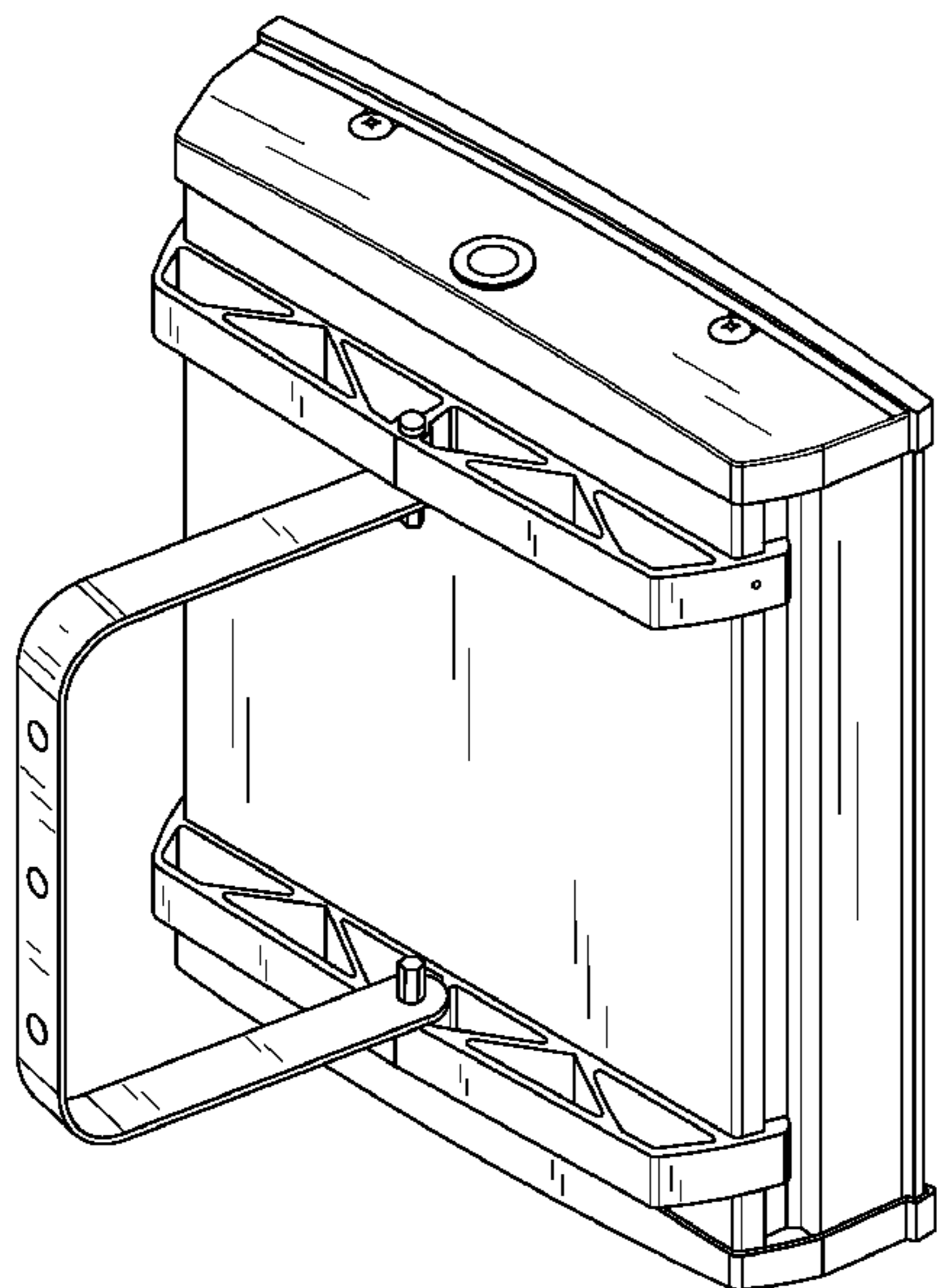
(57) **CLAIM**

The ornamental design for a lighting apparatus, as shown and described.

DESCRIPTION

FIG. 1 is a rear perspective view of a lighting apparatus according to the present invention;
FIG. 2 is a front view of the lighting apparatus according to the present invention;
FIG. 3 is a back view of the lighting apparatus according to the present invention;
FIG. 4 is a left side view of the lighting apparatus according to the present invention;
FIG. 5 is a right side view of the lighting apparatus according to the present invention;
FIG. 6 is a top view of the lighting apparatus according to the present invention; and,
FIG. 7 is a bottom view of the lighting apparatus according to the present invention.
The broken lines which define the bounds of the claimed design form no part thereof.

1 Claim, 4 Drawing Sheets



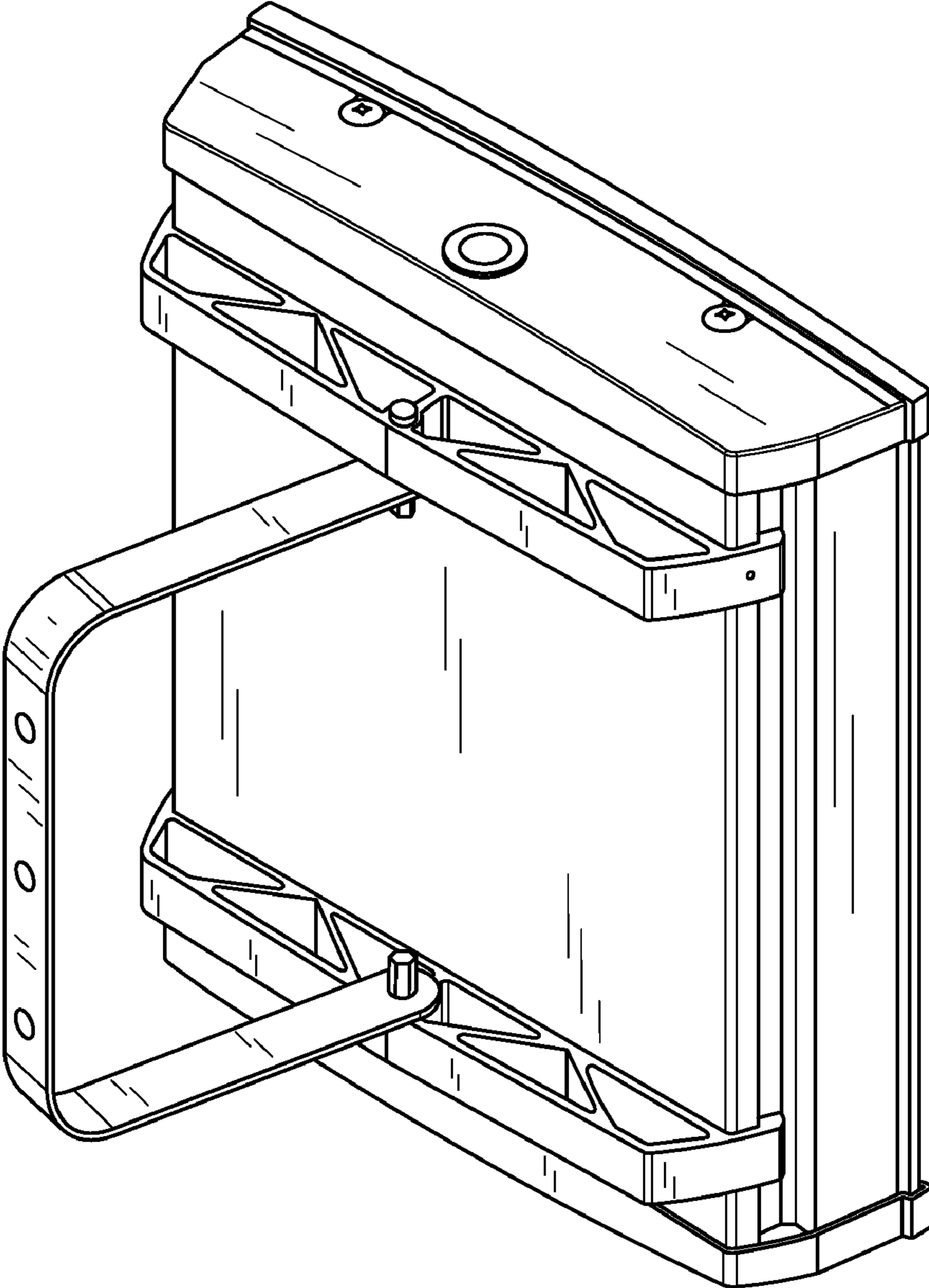


FIG. 1

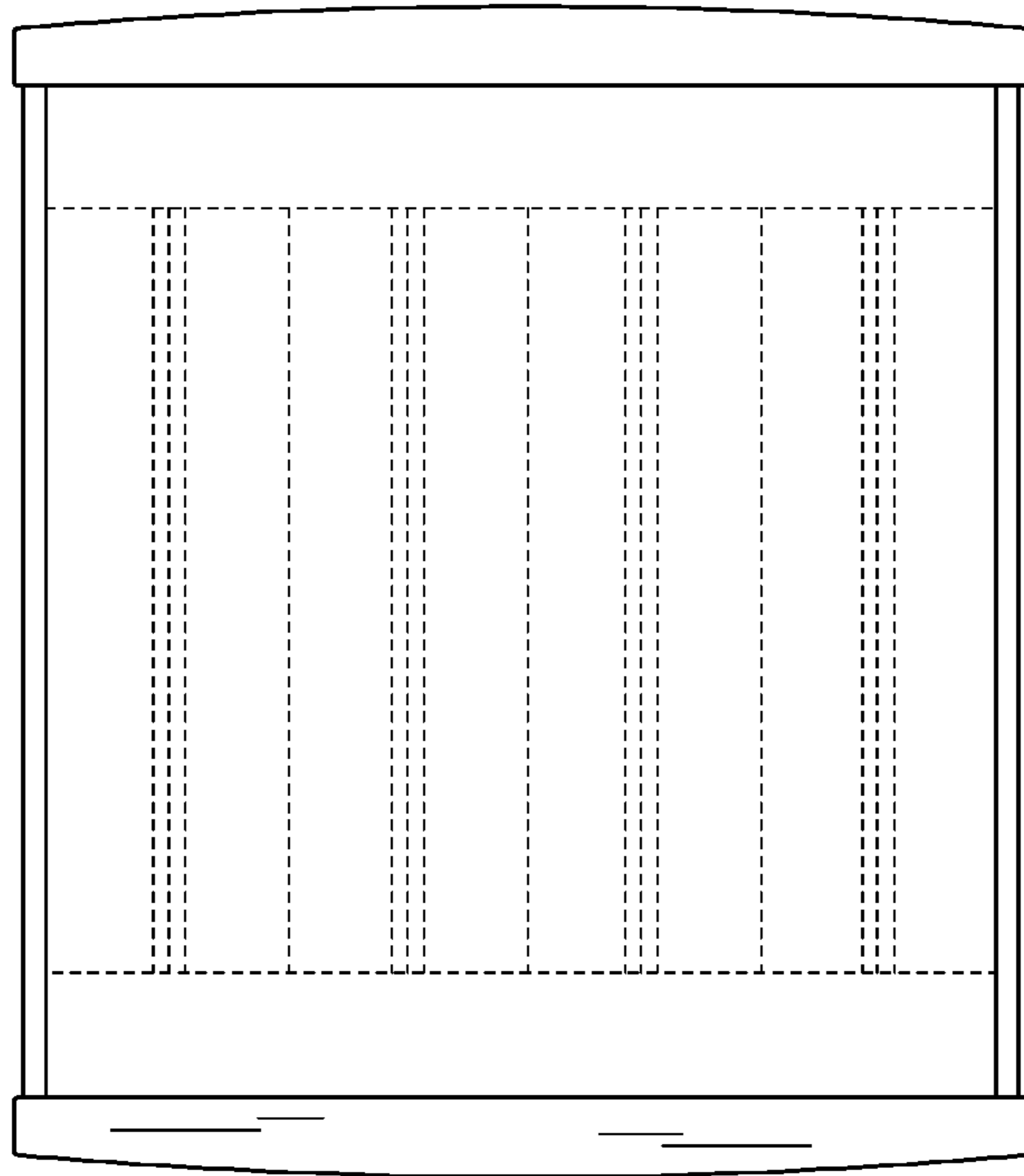


FIG. 2

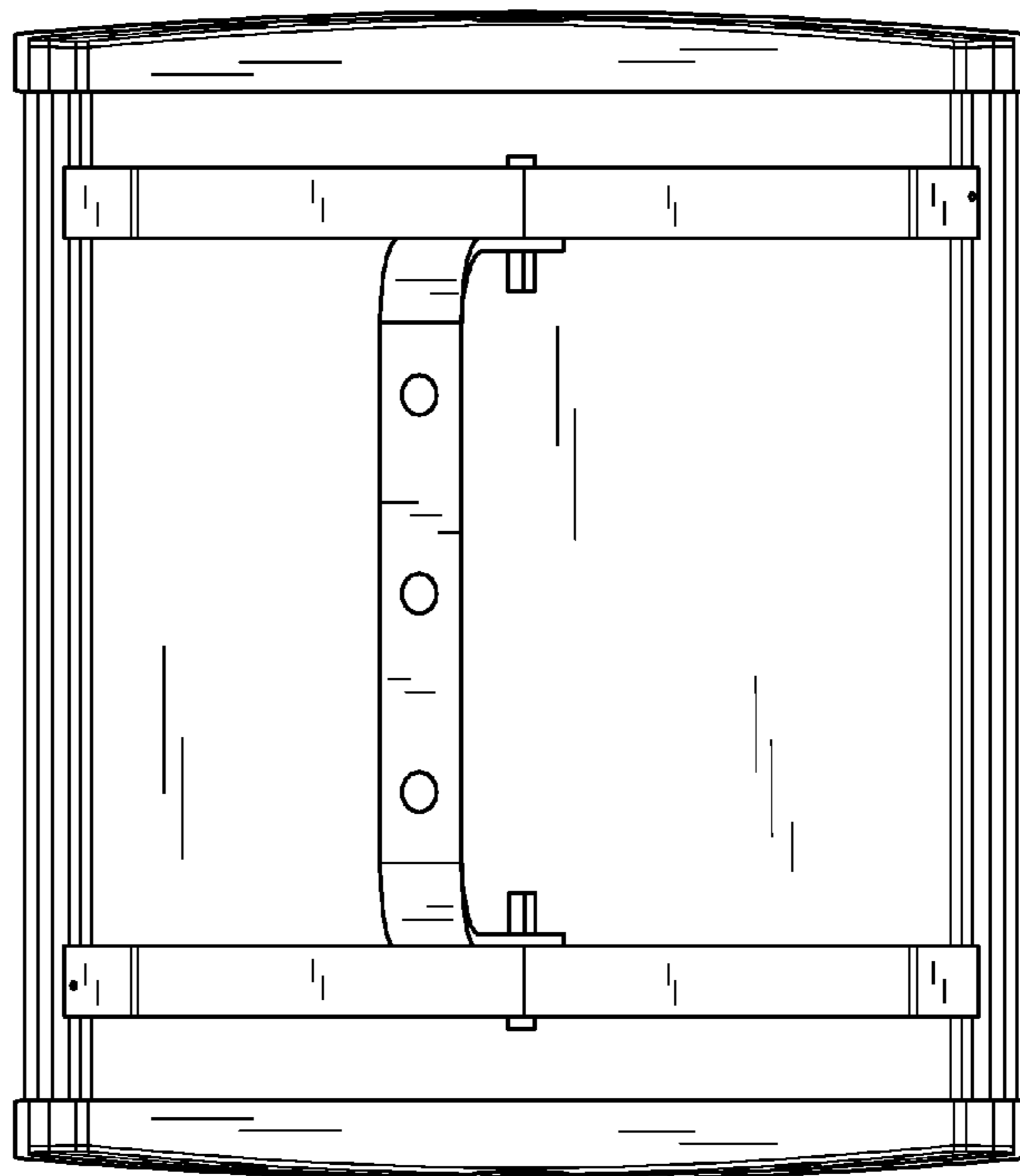


FIG. 3

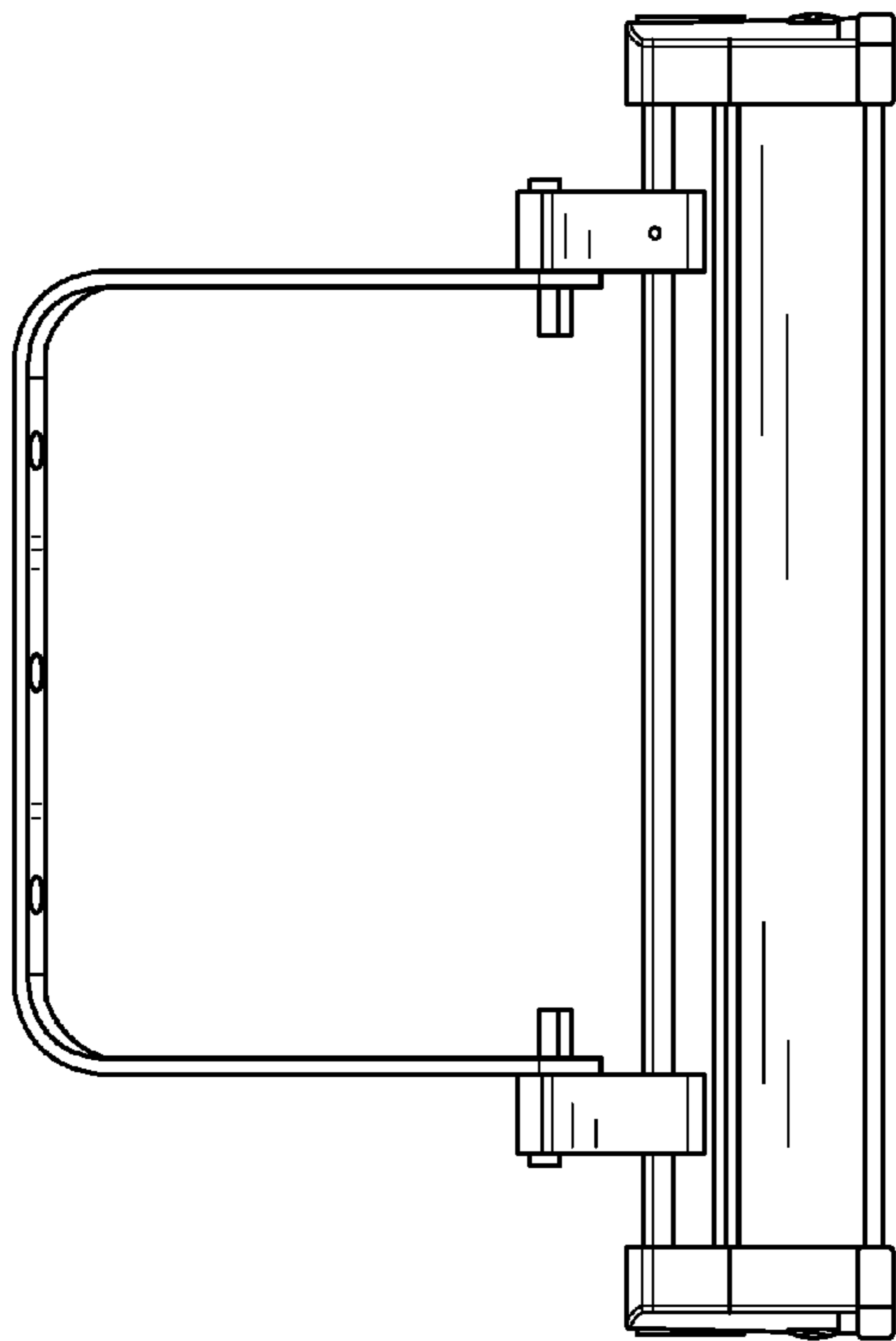


FIG. 4

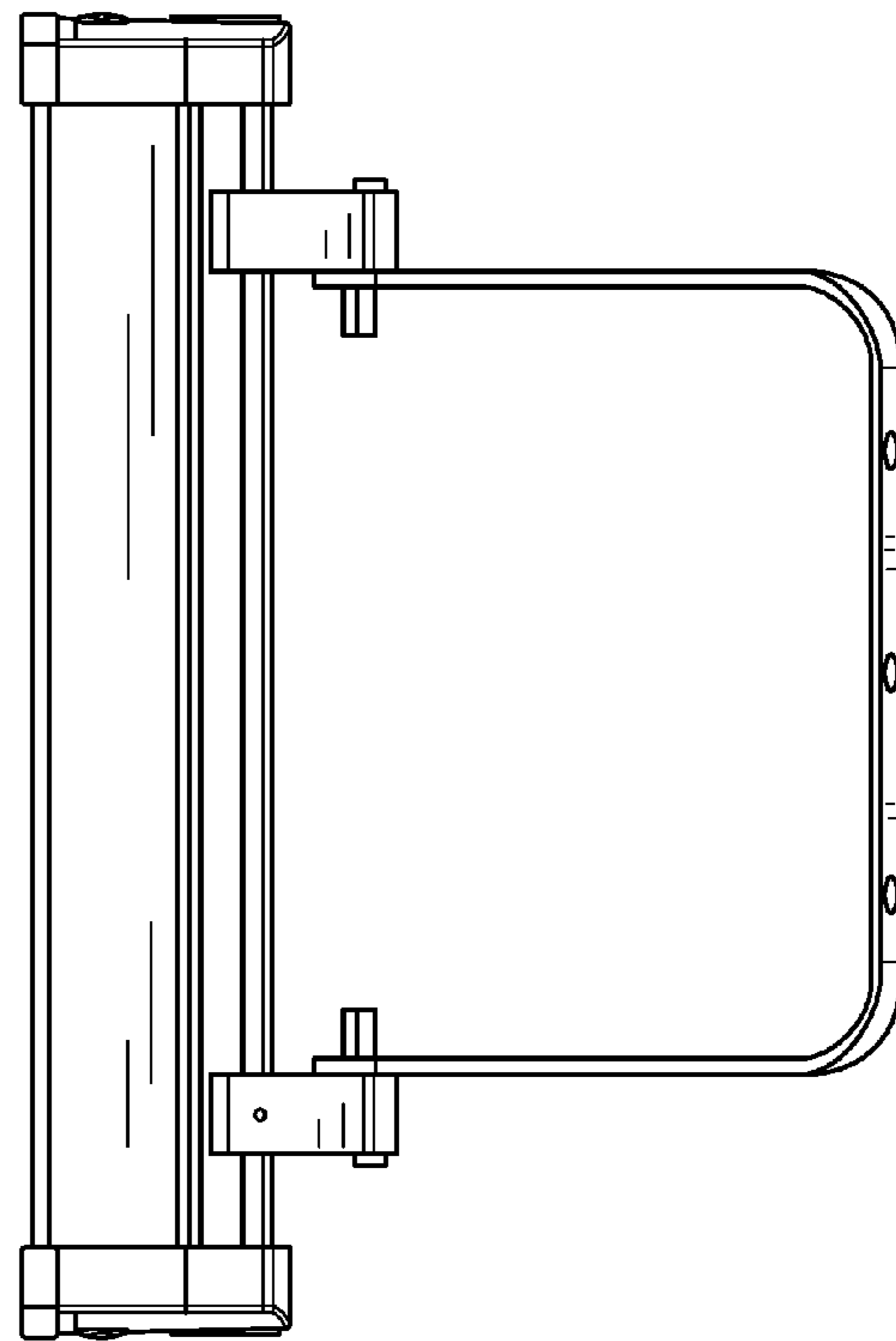


FIG. 5

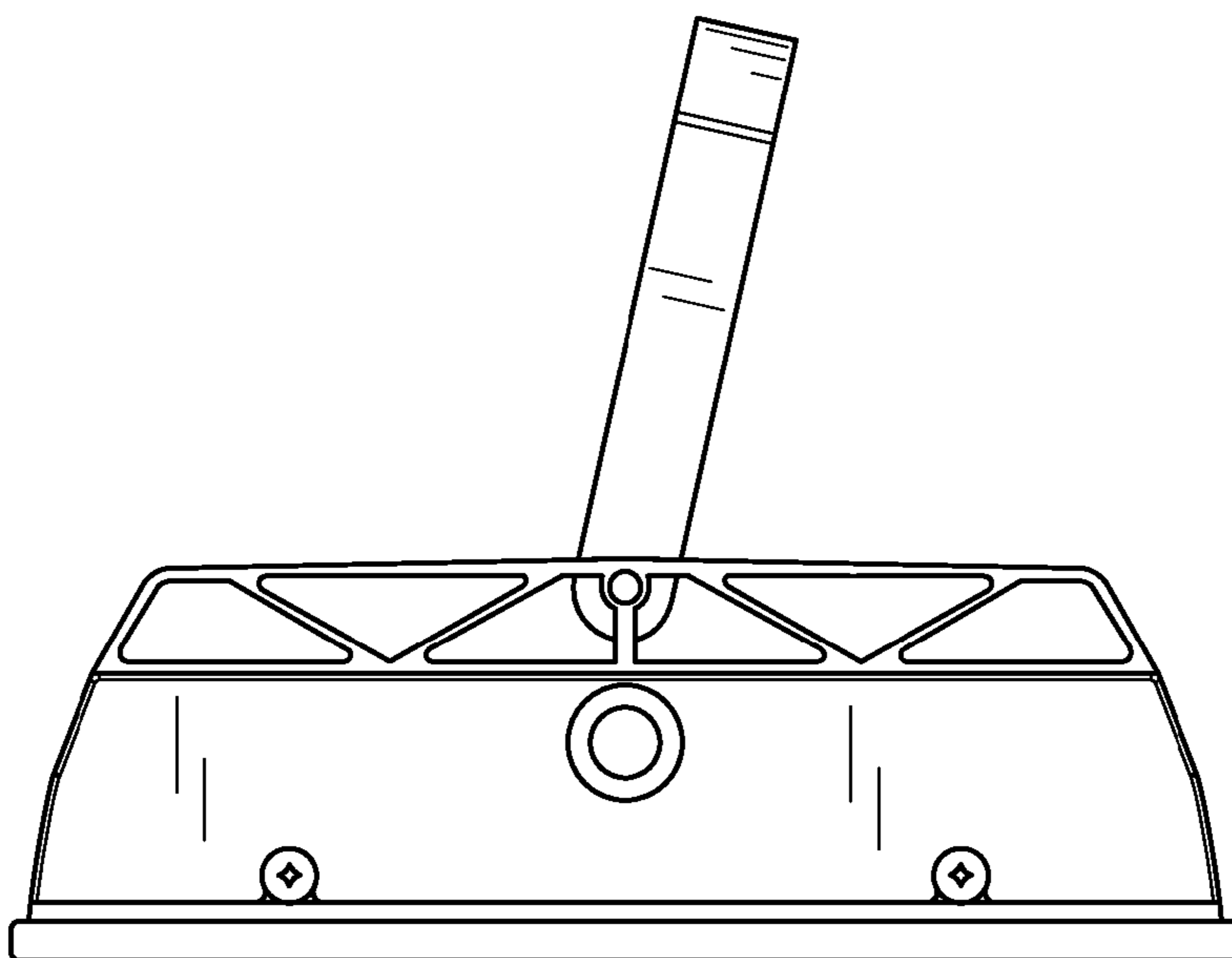


FIG. 6

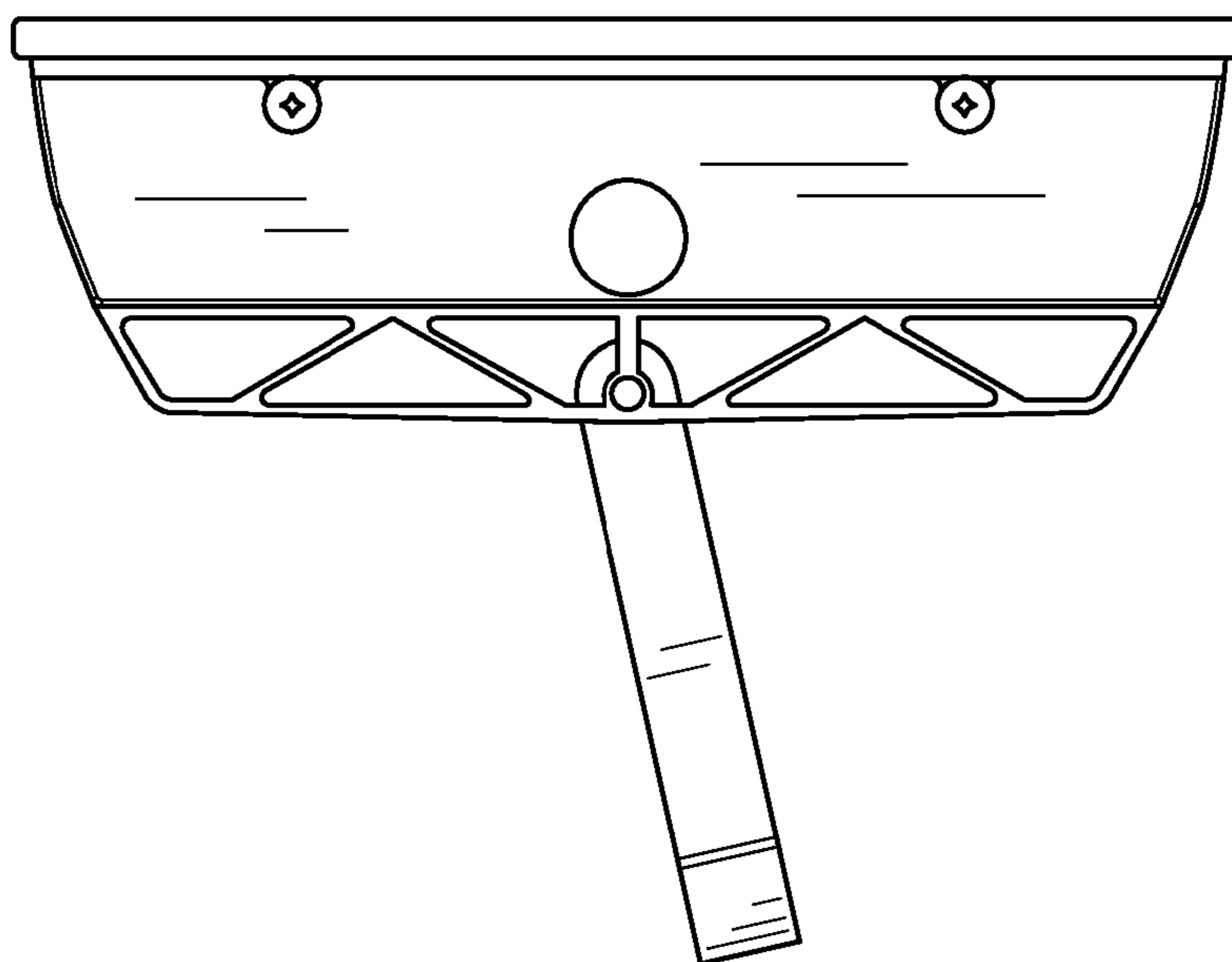


FIG. 7