



US00D650934S

(12) **United States Design Patent**
Yuen

(10) **Patent No.:** **US D650,934 S**

(45) **Date of Patent:** **** Dec. 20, 2011**

(54) **RECHARGEABLE HALOGEN SEARCH LIGHT**

D611,631 S * 3/2010 Hsu D26/45
D629,938 S * 12/2010 Yuen D26/45
D629,939 S * 12/2010 Yuen D26/45

(76) Inventor: **Se Kit Yuen**, Hong Kong (CN)

* cited by examiner

(**) Term: **14 Years**

Primary Examiner — Ian Simmons
Assistant Examiner — Carissa C Fitts

(21) Appl. No.: **29/372,182**

(57) **CLAIM**

(22) Filed: **Oct. 26, 2010**

The ornamental design for a rechargeable halogen search light, as shown.

(51) **LOC (9) Cl.** **26-02**

(52) **U.S. Cl.** **D26/41**

(58) **Field of Classification Search** D26/37-42,
D26/45-46, 48, 50; 362/157, 158, 184-191,
362/194-199, 202-208

See application file for complete search history.

DESCRIPTION

(56) **References Cited**

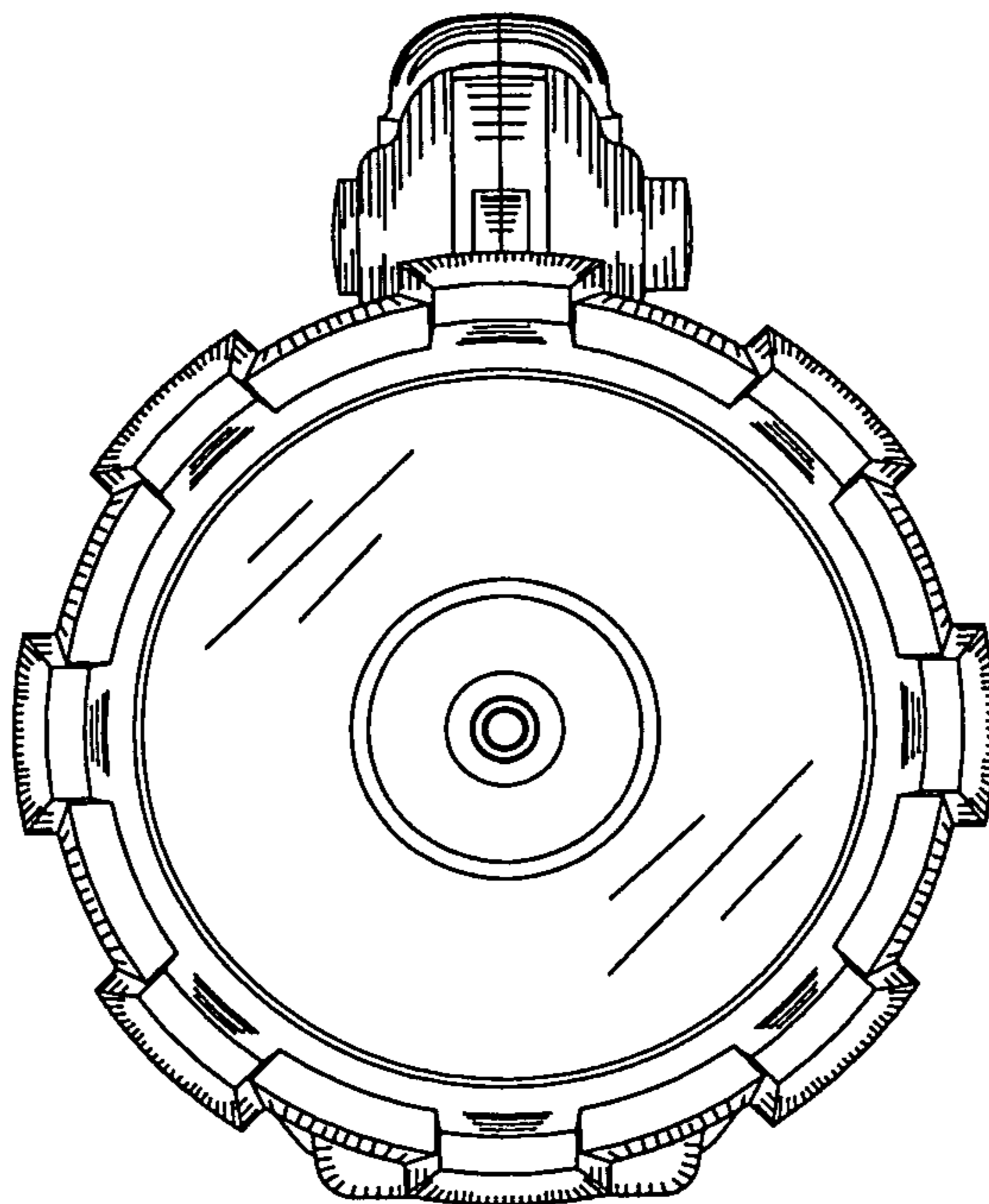
U.S. PATENT DOCUMENTS

D531,745 S	*	11/2006	Yuen	D26/46
D534,291 S	*	12/2006	Yuen	D26/46
D542,954 S	*	5/2007	Yuen	D26/46
D544,122 S	*	6/2007	Yuen	D26/46
D548,866 S	*	8/2007	Yuen	D26/46
D566,870 S	*	4/2008	Yuen	D26/48

FIG. 1 is a side view showing my new design.
FIG. 2 is a front view thereof.
FIG. 3 is another side view thereof.
FIG. 4 is rear view thereof.
FIG. 5 is a plan view thereof.
FIG. 6 is an underneath view thereof.
FIG. 7 is an isometric view thereof; and,
FIG. 8 is another isometric view thereof.

The surface(s) or portion(s) of the article not shown in the drawing or described in the specification form(s) no part of the claimed design.

1 Claim, 8 Drawing Sheets



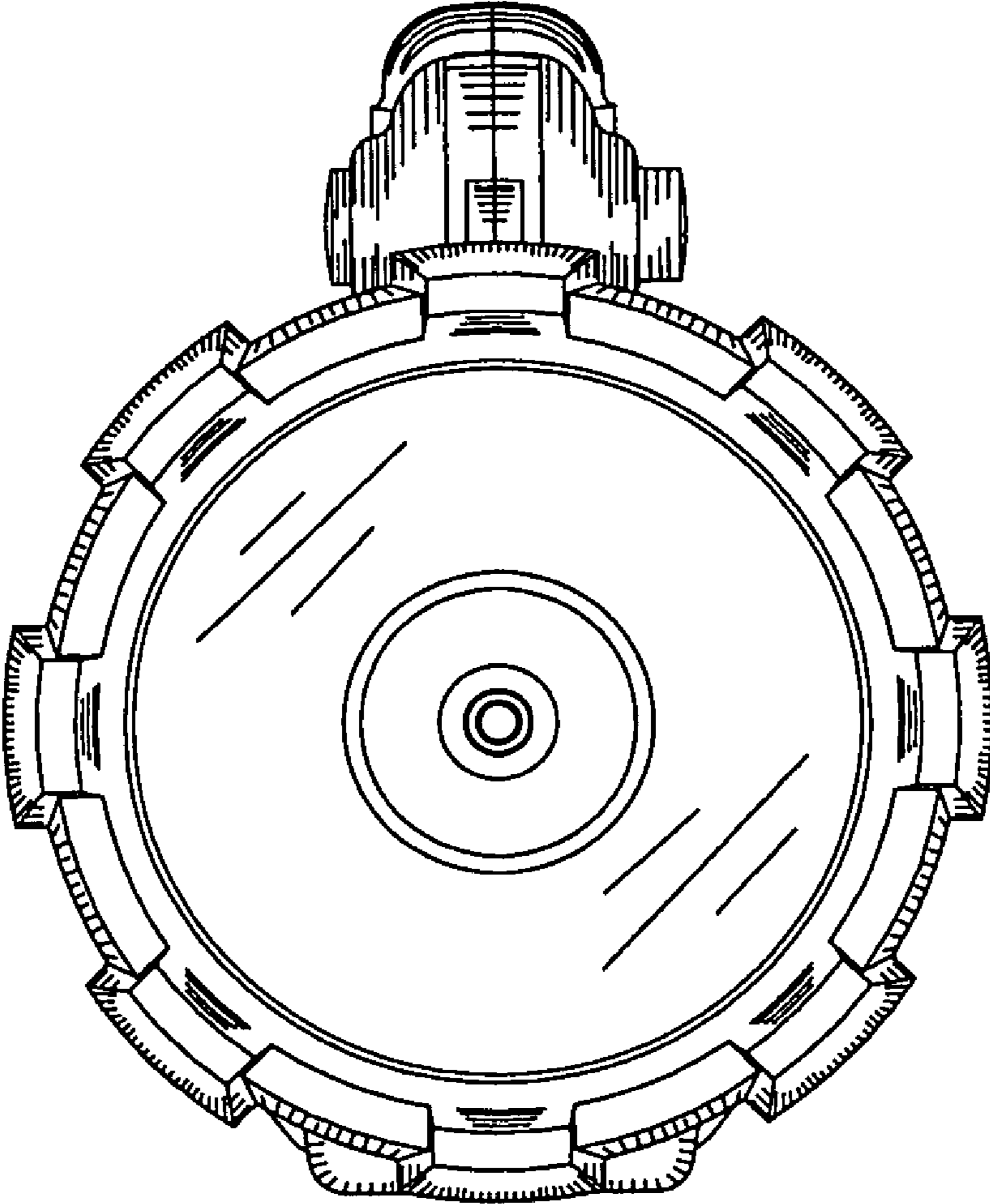


Fig. 1

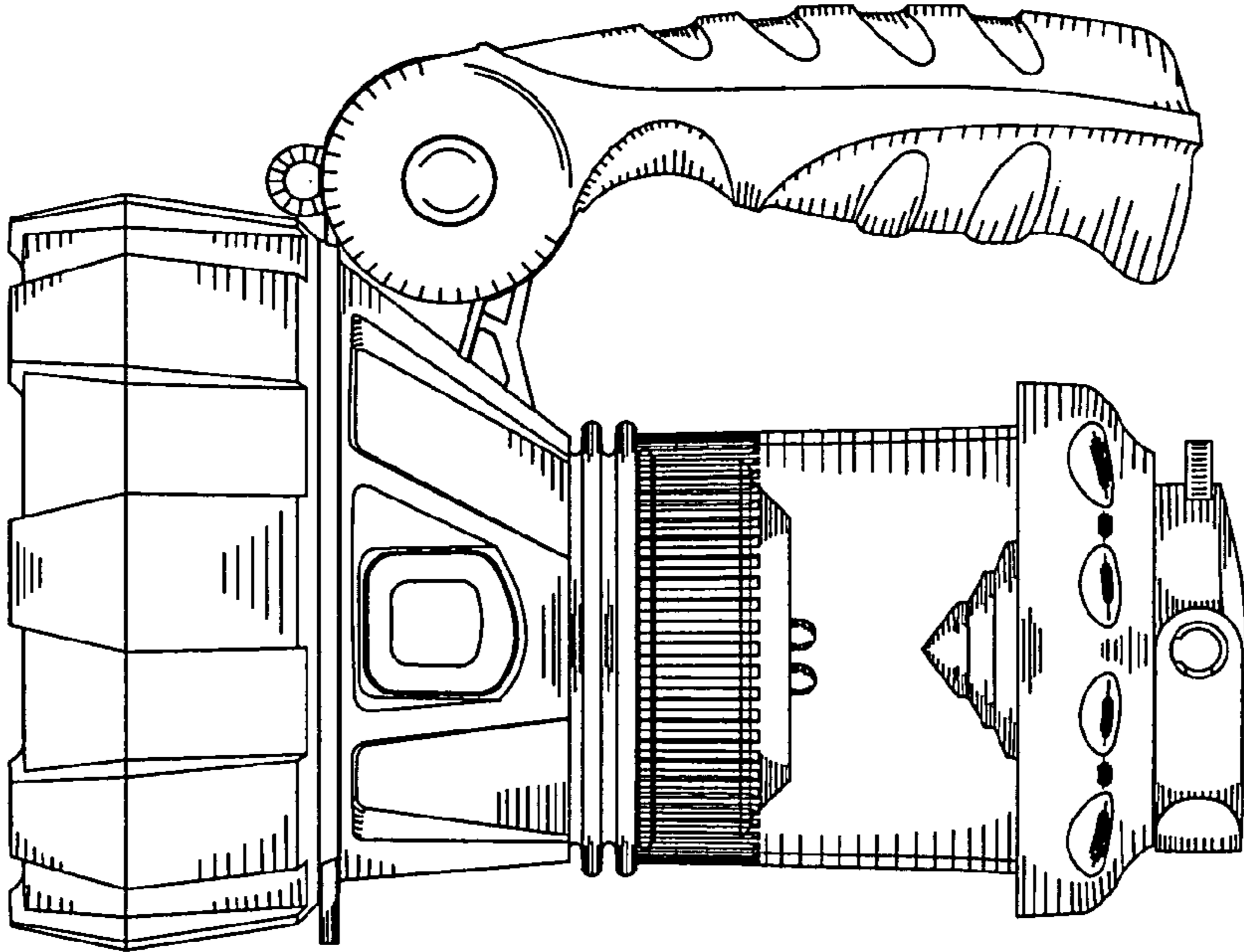


Fig. 2

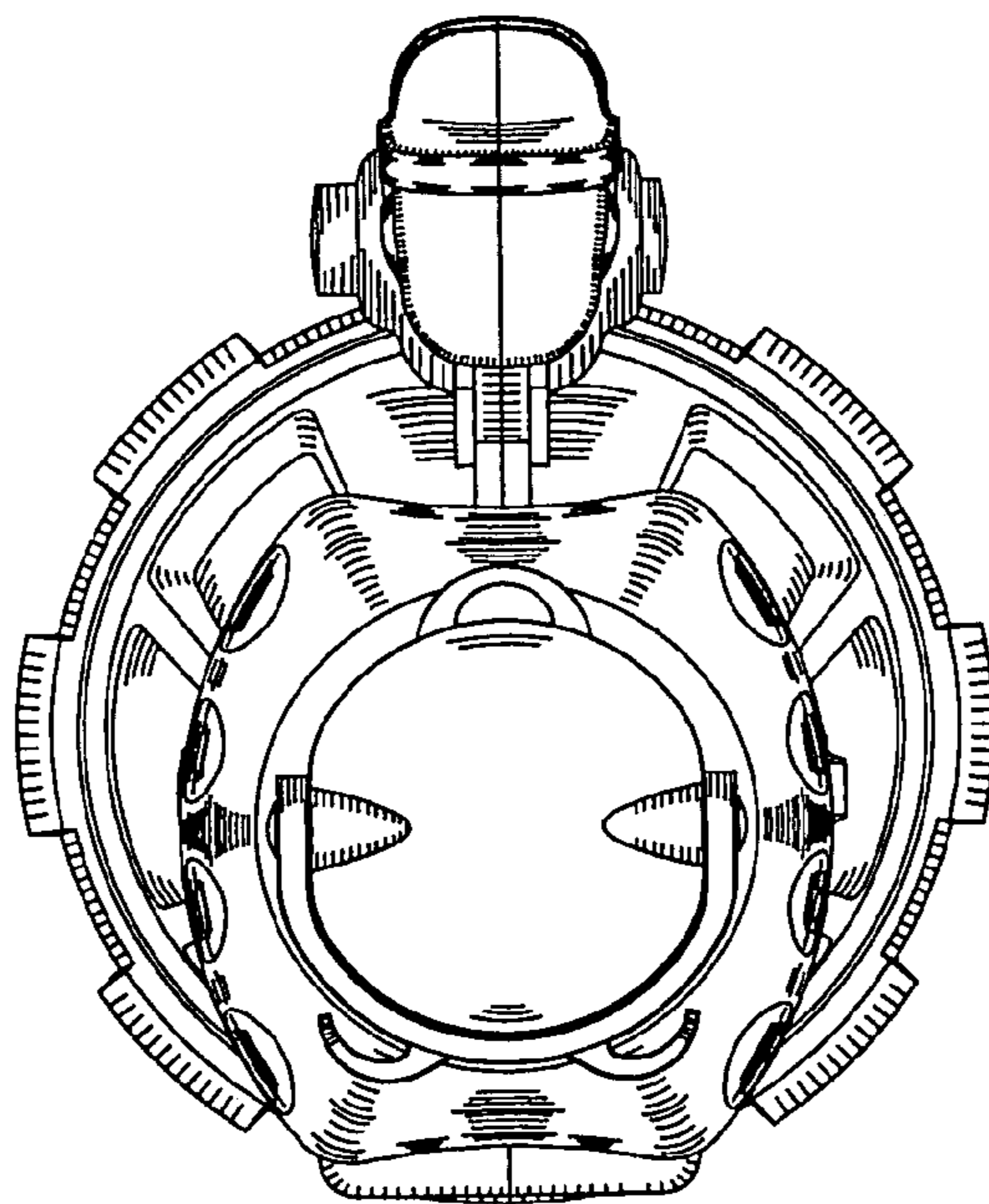


Fig. 3

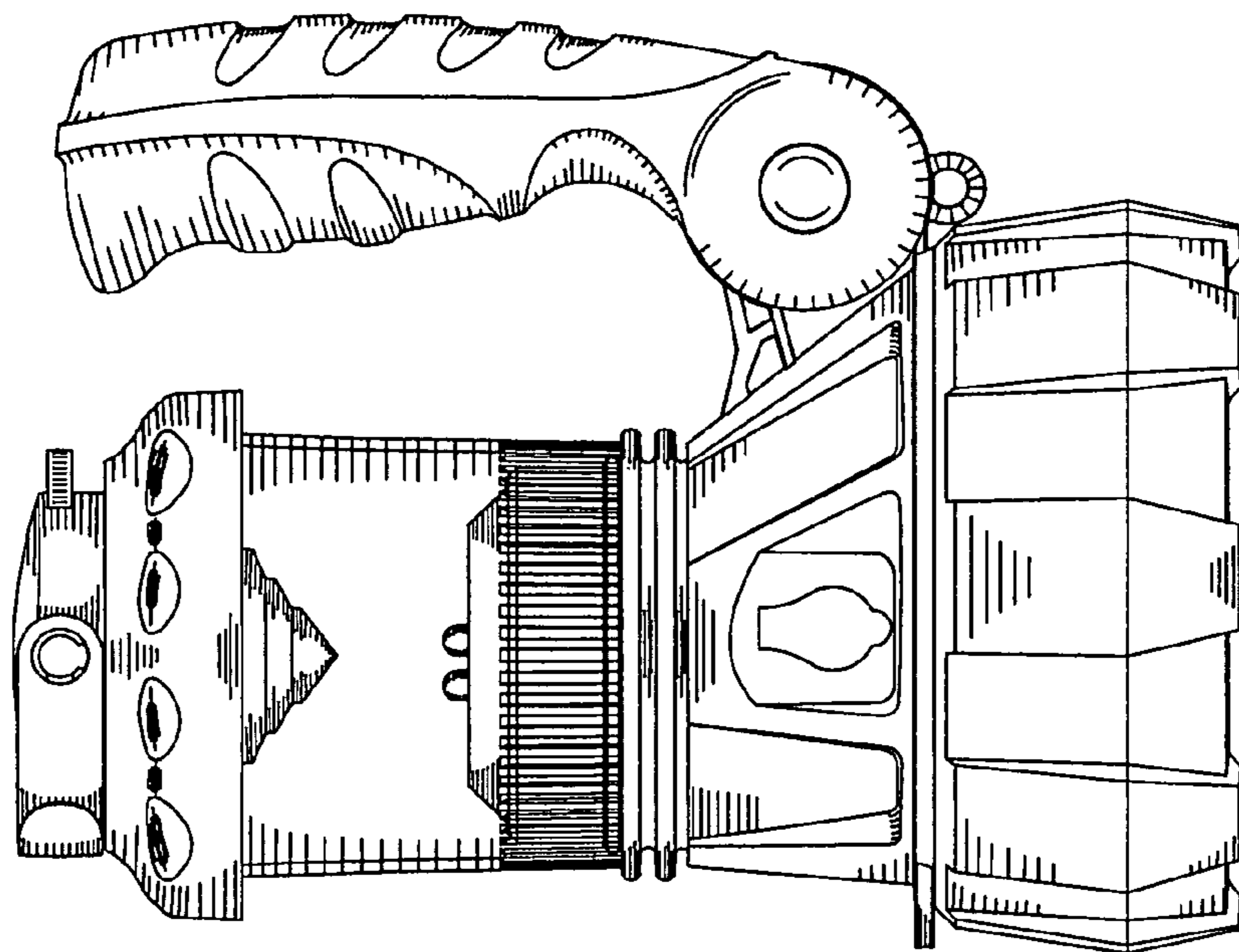


Fig. 4

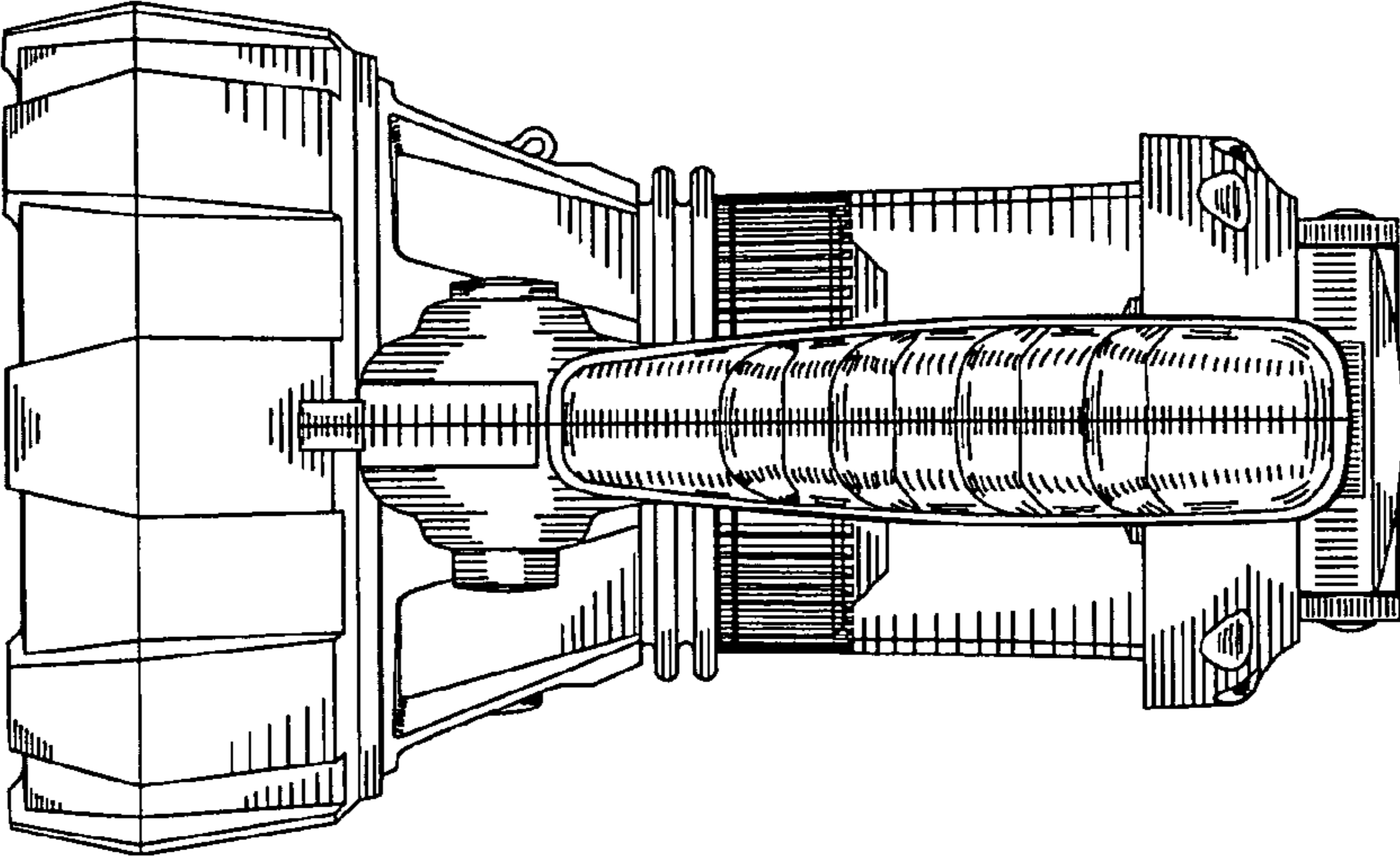


Fig. 5

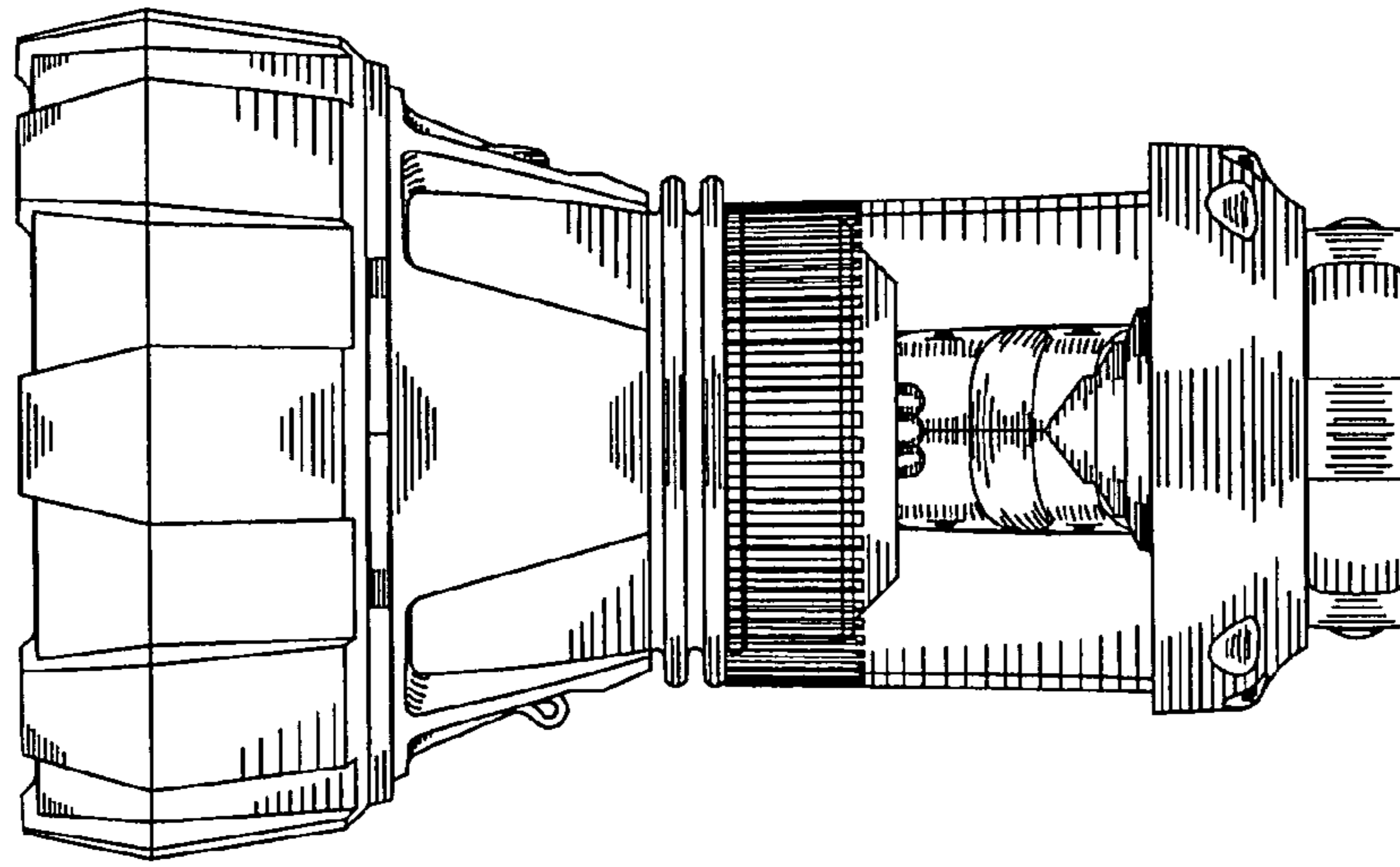


Fig. 6

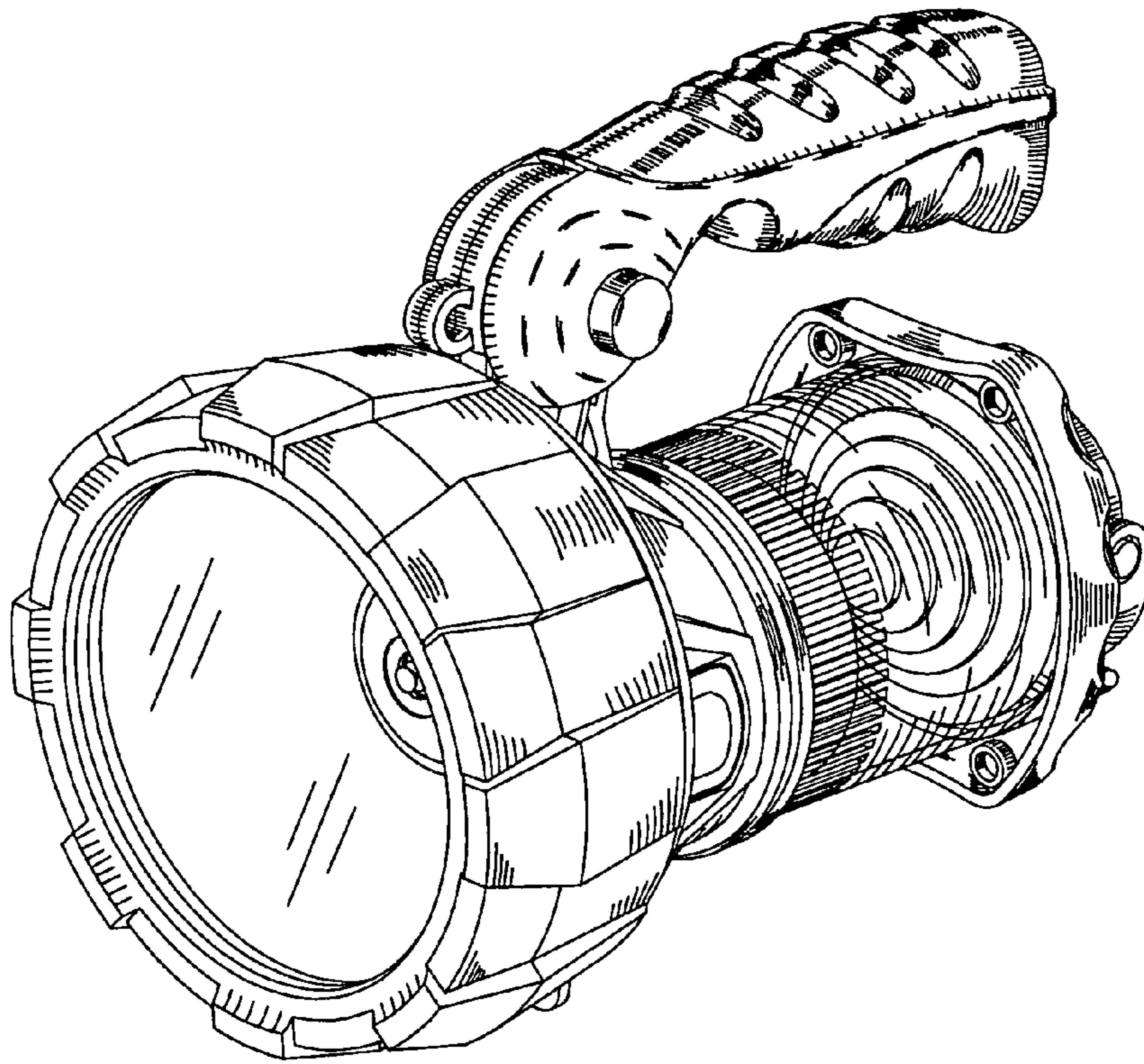


Fig. 7

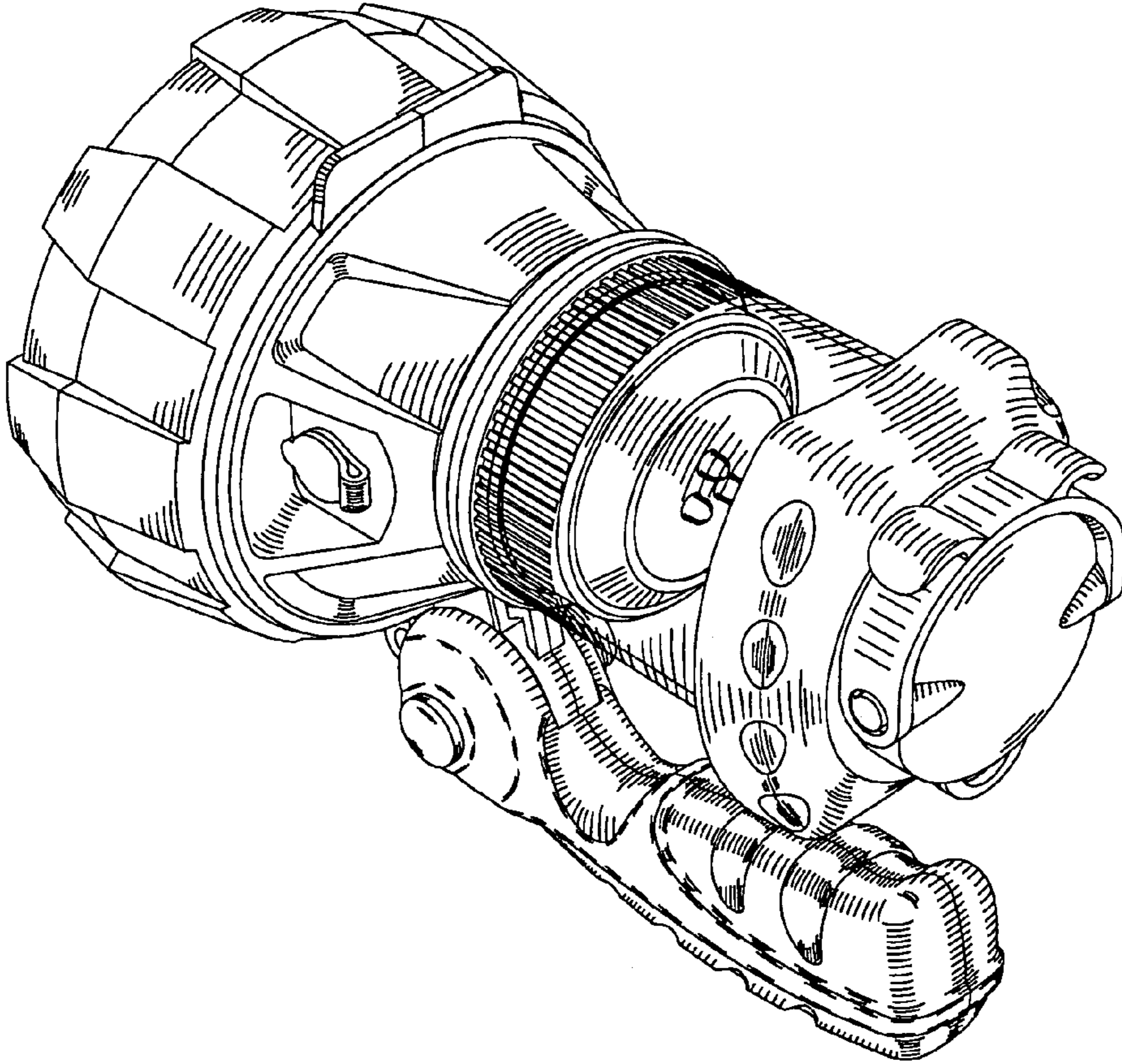


Fig. 8