



US00D650933S

(12) **United States Design Patent**
Cheng

(10) **Patent No.:** **US D650,933 S**
(45) **Date of Patent:** **** Dec. 20, 2011**

(54) **MULTIPURPOSE HAND LAMP**

(75) Inventor: **Hsu-Cheng Cheng**, Tucheng (TW)

(73) Assignee: **Tang Yang Dies Co., Ltd.**, Tucheng, Taipei (TW)

(**) Term: **14 Years**

(21) Appl. No.: **29/390,293**

(22) Filed: **Apr. 22, 2011**

(30) **Foreign Application Priority Data**

Dec. 14, 2010 (TW) 99306434

(51) **LOC (9) Cl.** **26-02**

(52) **U.S. Cl.** **D26/37**

(58) **Field of Classification Search** D26/40,
D26/41, 37, 38, 42, 46, 50; 362/103, 157,
362/158, 184, 186, 171-174, 196-208

See application file for complete search history.

(56) **References Cited**

U.S. PATENT DOCUMENTS

D375,569 S * 11/1996 Hwang D26/37
D425,228 S * 5/2000 Kibler D26/46
D439,688 S * 3/2001 Suzuki D26/37
D453,580 S * 2/2002 Lynch et al. D26/46

D469,901 S * 2/2003 Dalton et al. D26/37
D477,432 S * 7/2003 Parsons D26/37
D504,738 S * 5/2005 Rachwal D26/41
D518,584 S * 4/2006 Chan D26/37
D524,962 S * 7/2006 Farmer D26/37
D525,536 S * 7/2006 Chan D10/2
D553,276 S * 10/2007 Campbell et al. D26/37
D566,097 S * 4/2008 Bhavnani D14/168
D605,320 S * 12/2009 Moudry et al. D26/39

* cited by examiner

Primary Examiner — Ian Simmons

Assistant Examiner — Carissa C Fitts

(74) *Attorney, Agent, or Firm* — Guice Patents PLLC

(57) **CLAIM**

The ornamental design for a multipurpose hand lamp, as shown and described.

DESCRIPTION

FIG. 1 is a perspective view of multipurpose hand lamp showing the design;

FIG. 2 is a perspective view thereof, shown with the lamp holder in an open position.

FIG. 3 is a front side view of FIG. 1;

FIG. 4 is a right side view thereof;

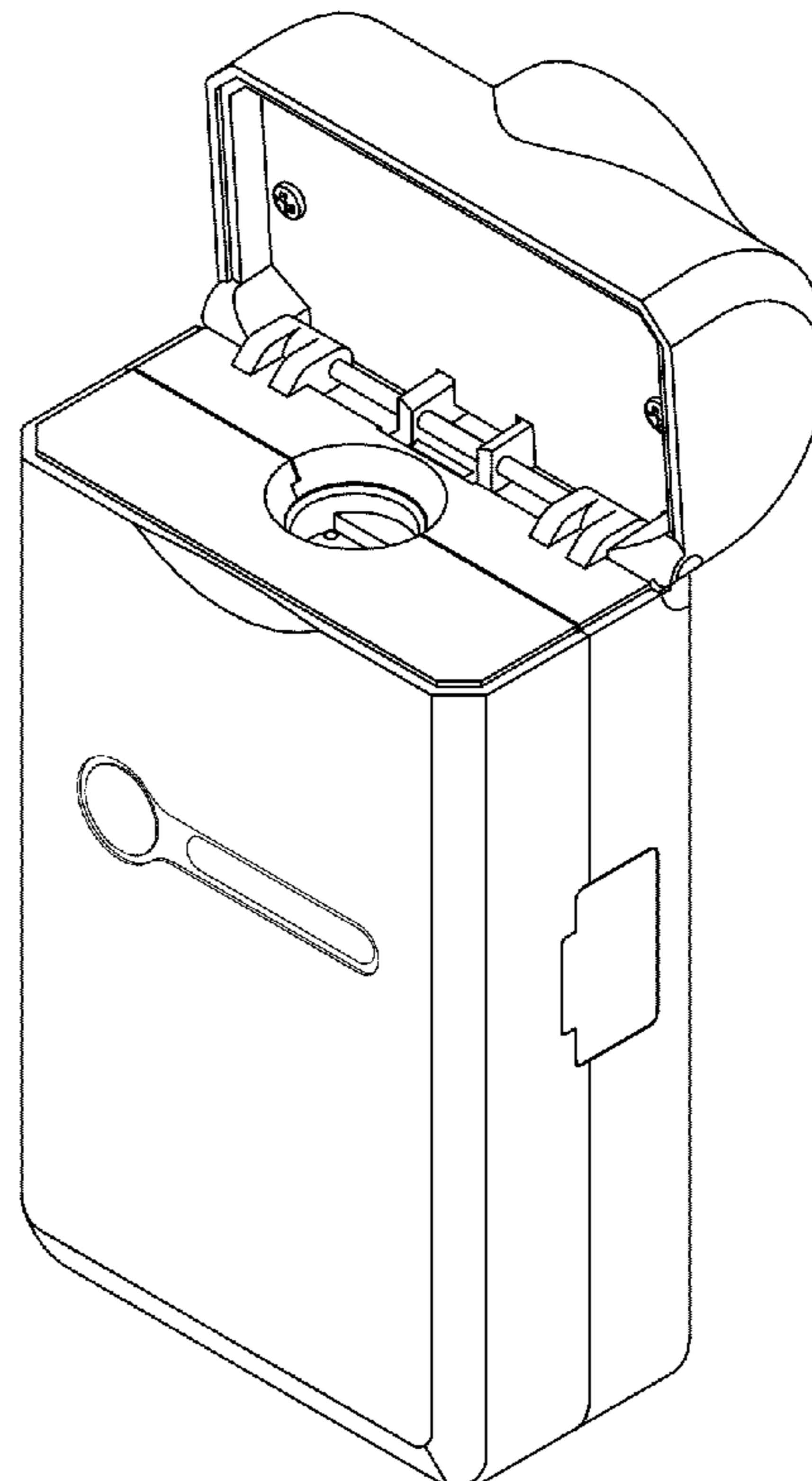
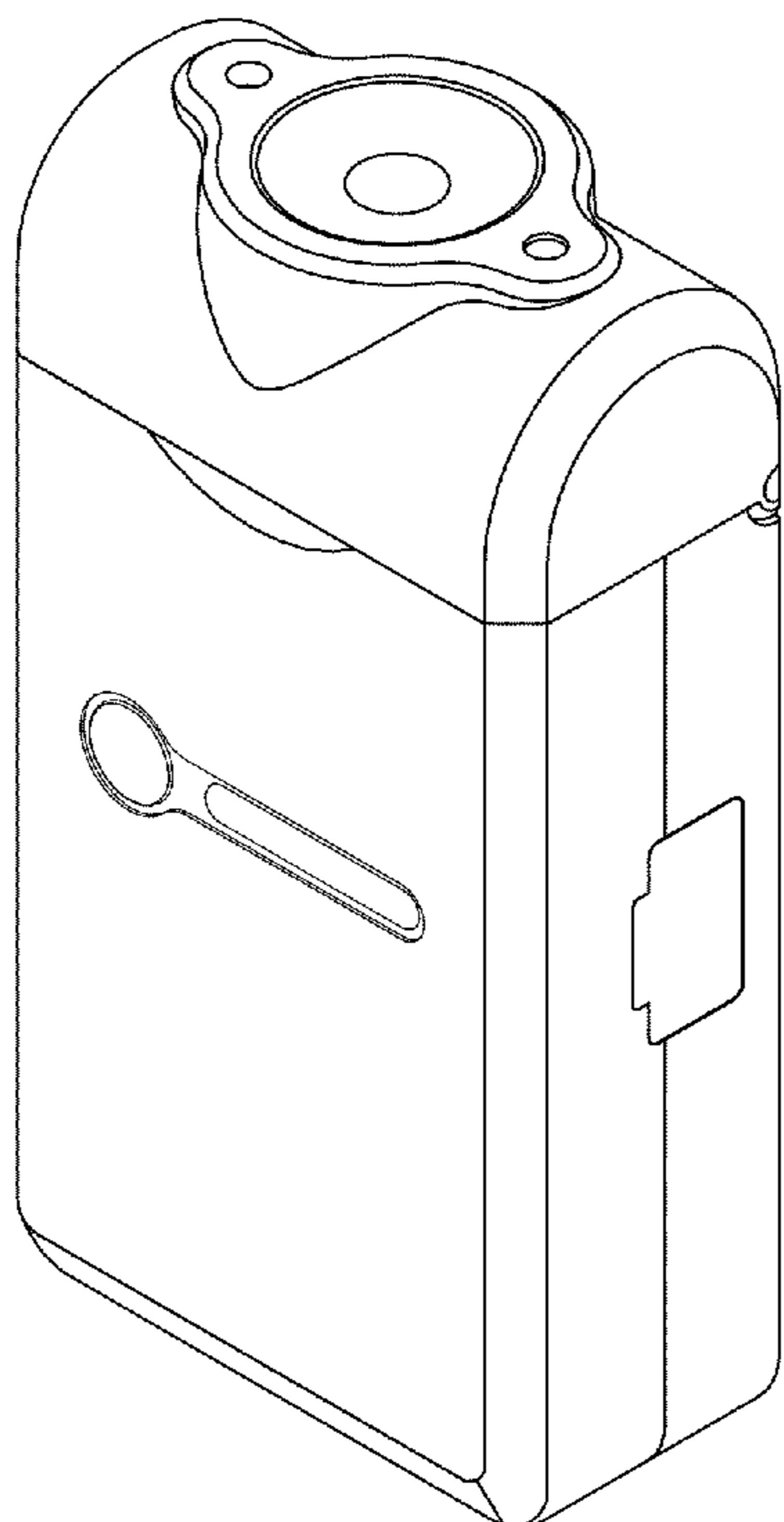
FIG. 5 is a top plan view thereof;

FIG. 6 is a bottom plan view thereof;

FIG. 7 is a rear side view thereof; and,

FIG. 8 is a left side view thereof.

1 Claim, 5 Drawing Sheets



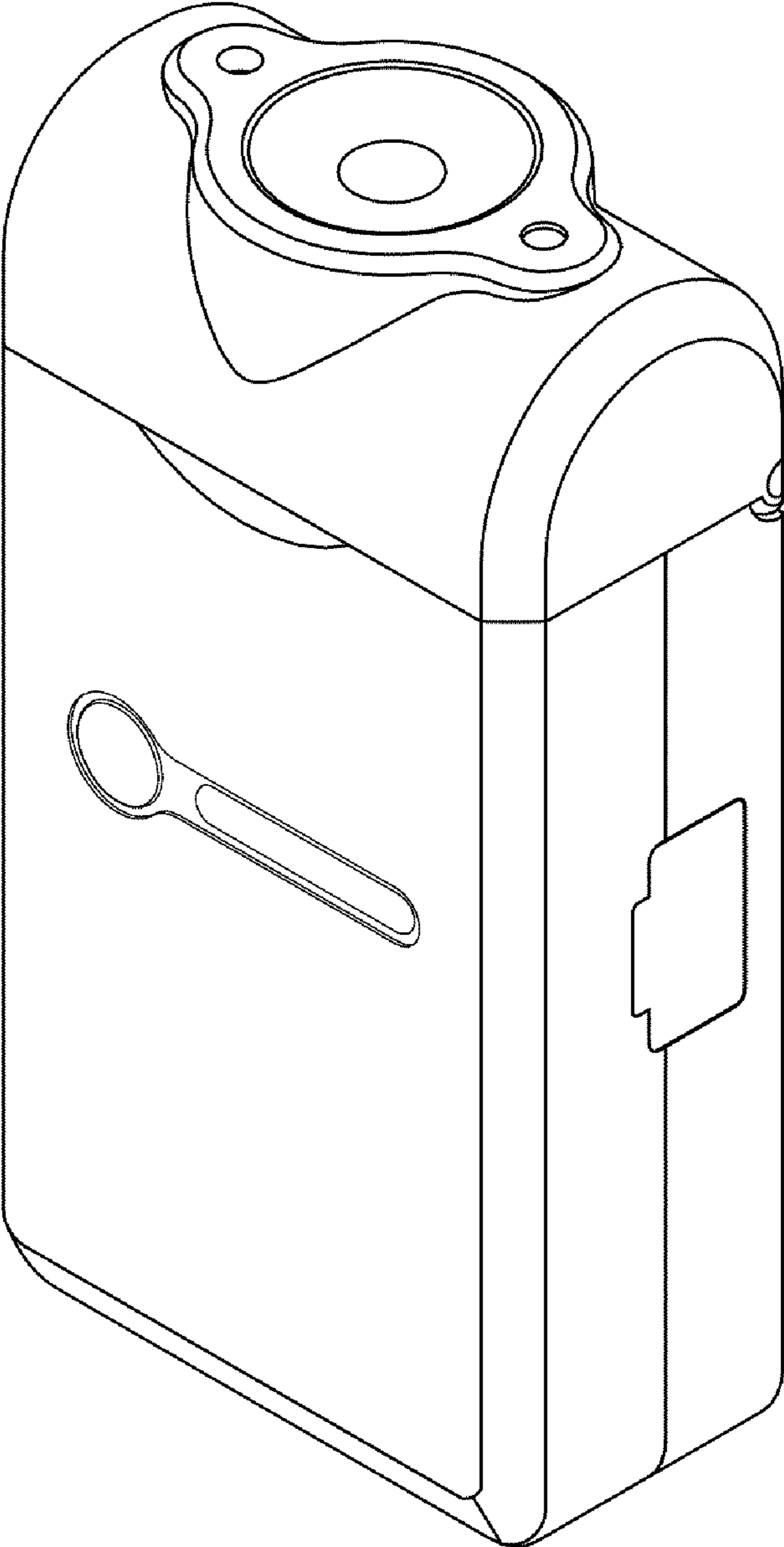


FIG. 1

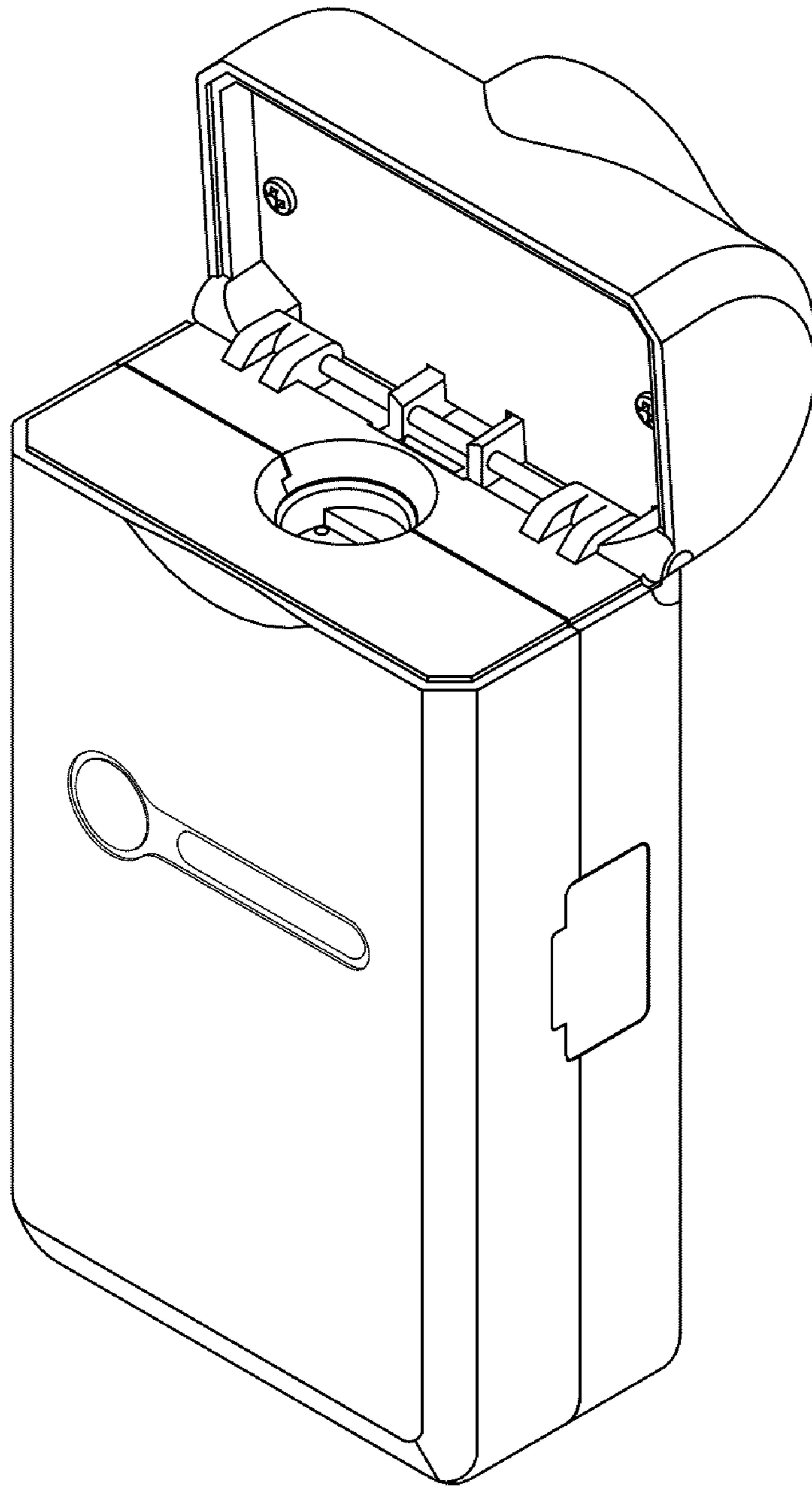


FIG. 2

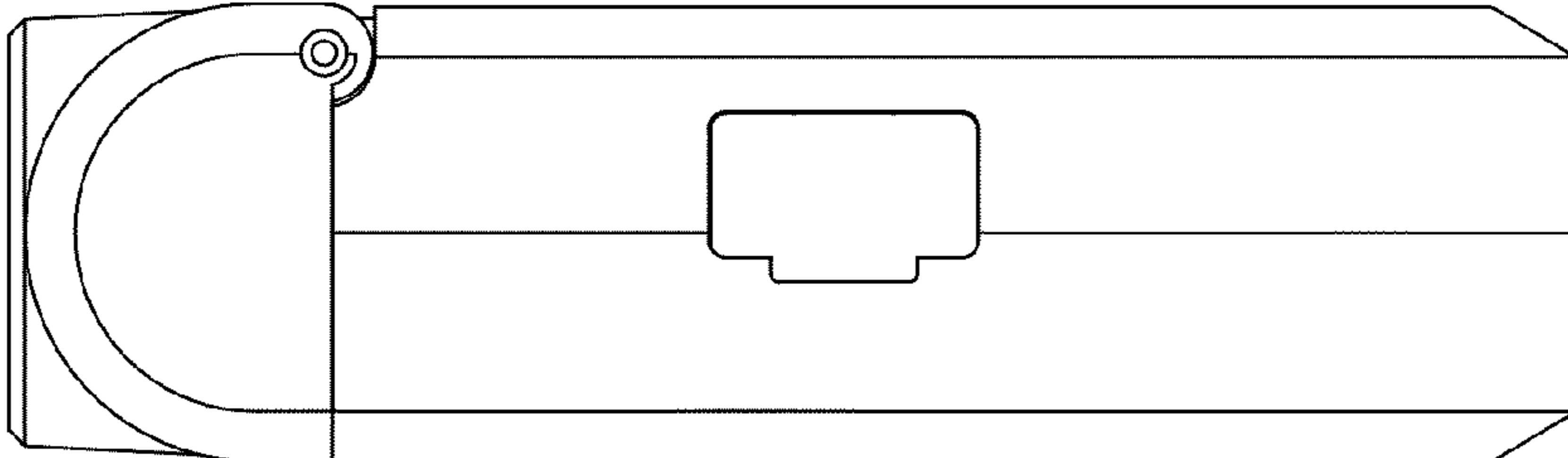


FIG. 4

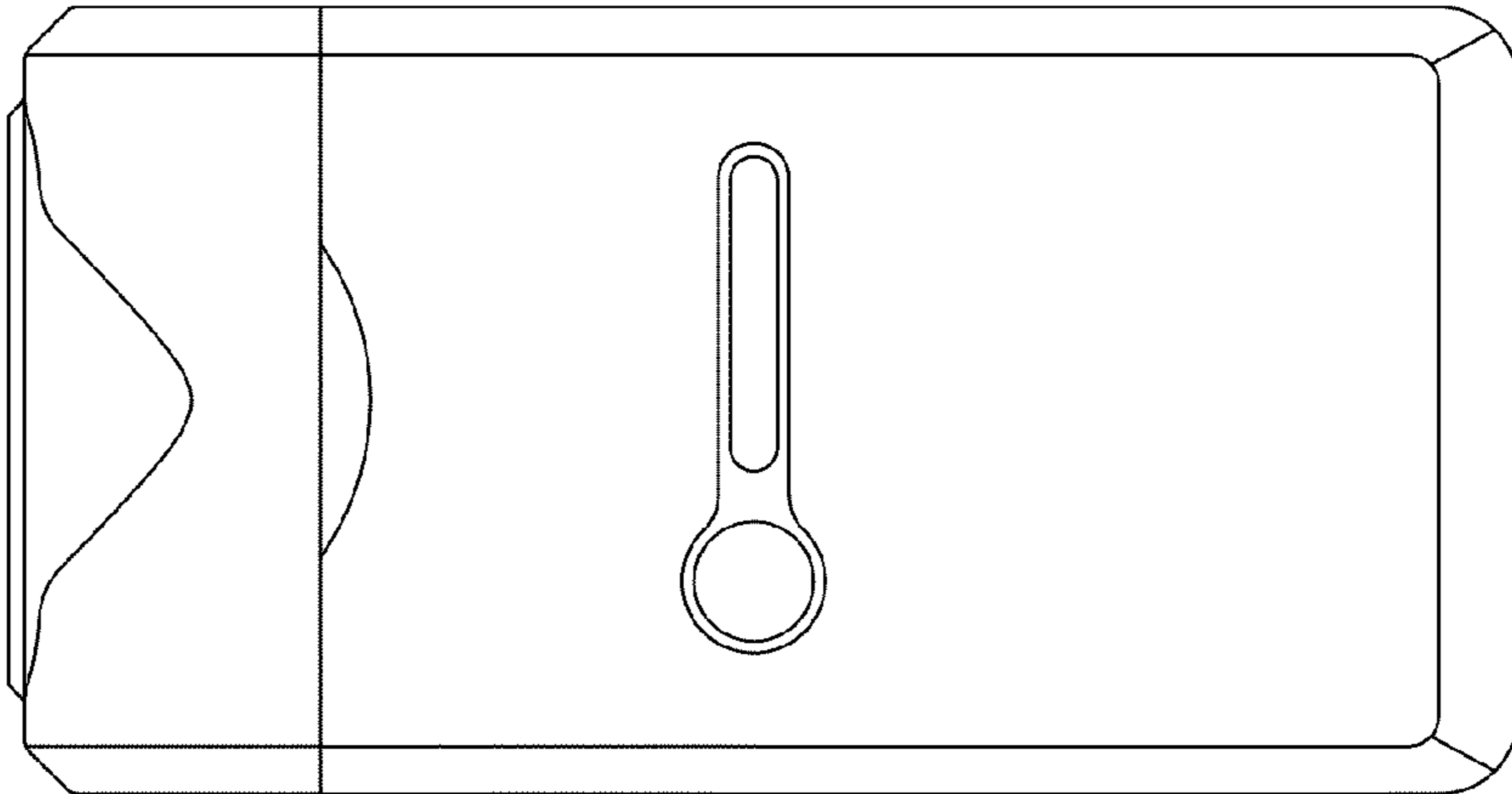


FIG. 3

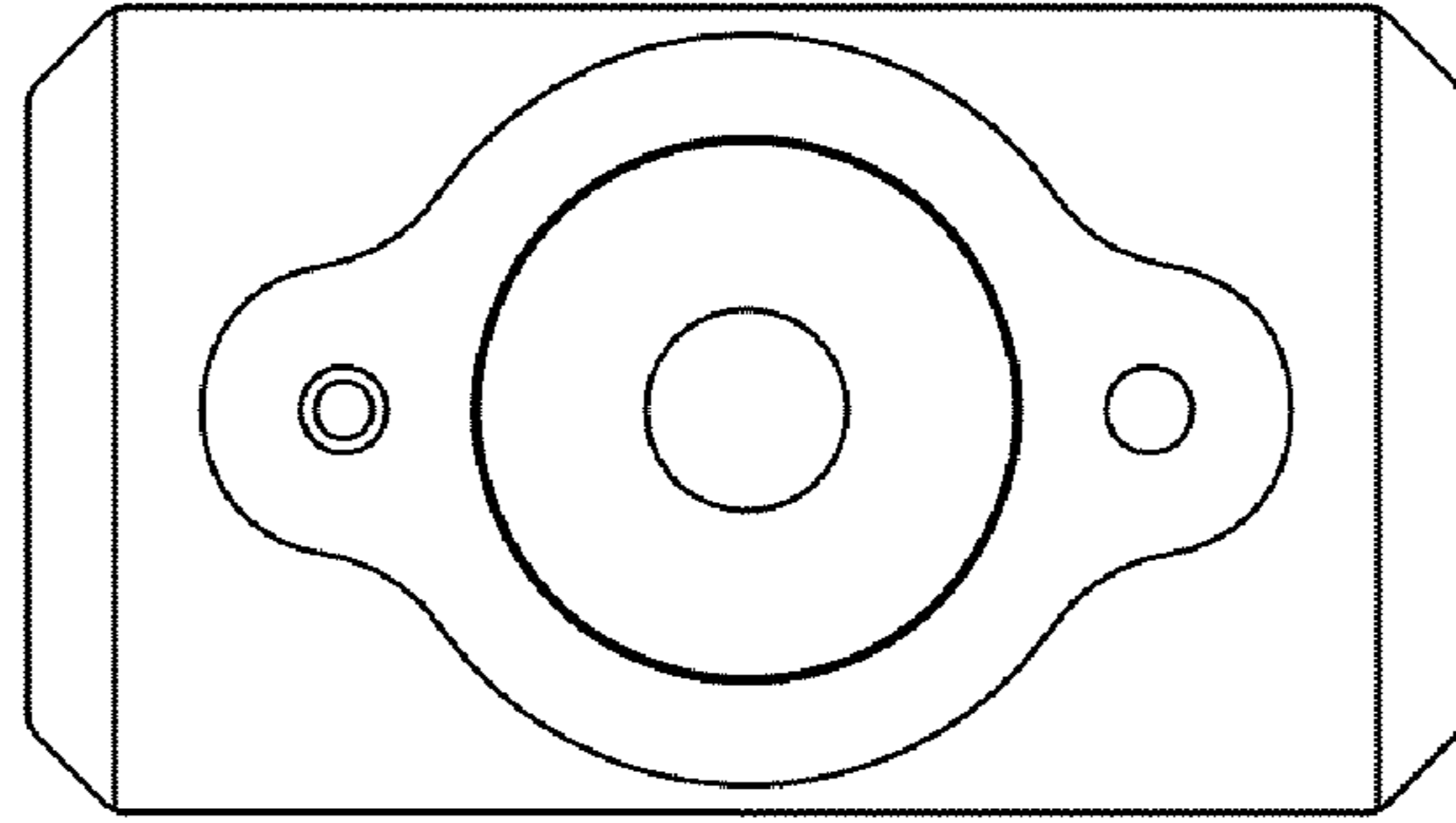


FIG. 5

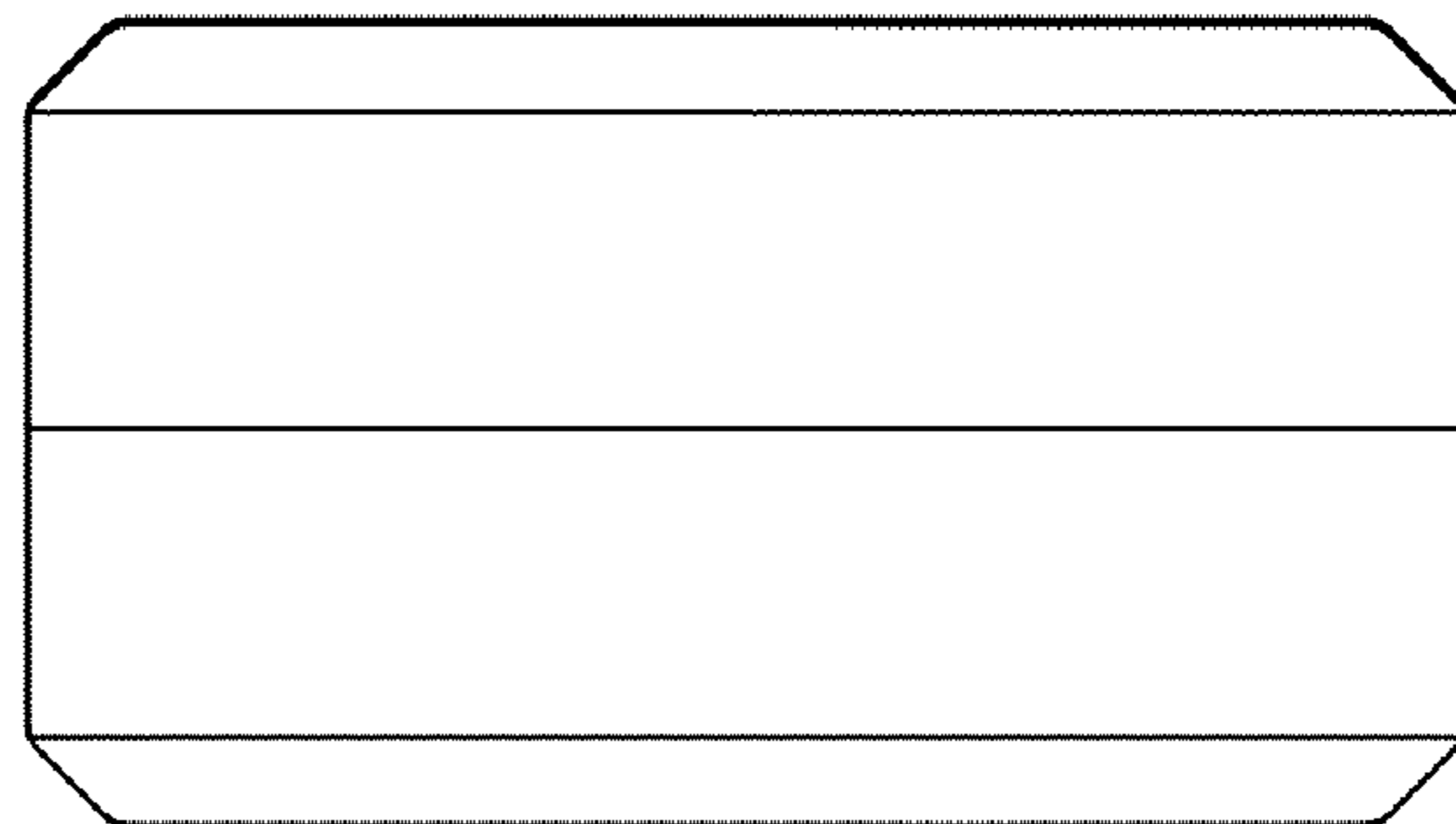


FIG. 6

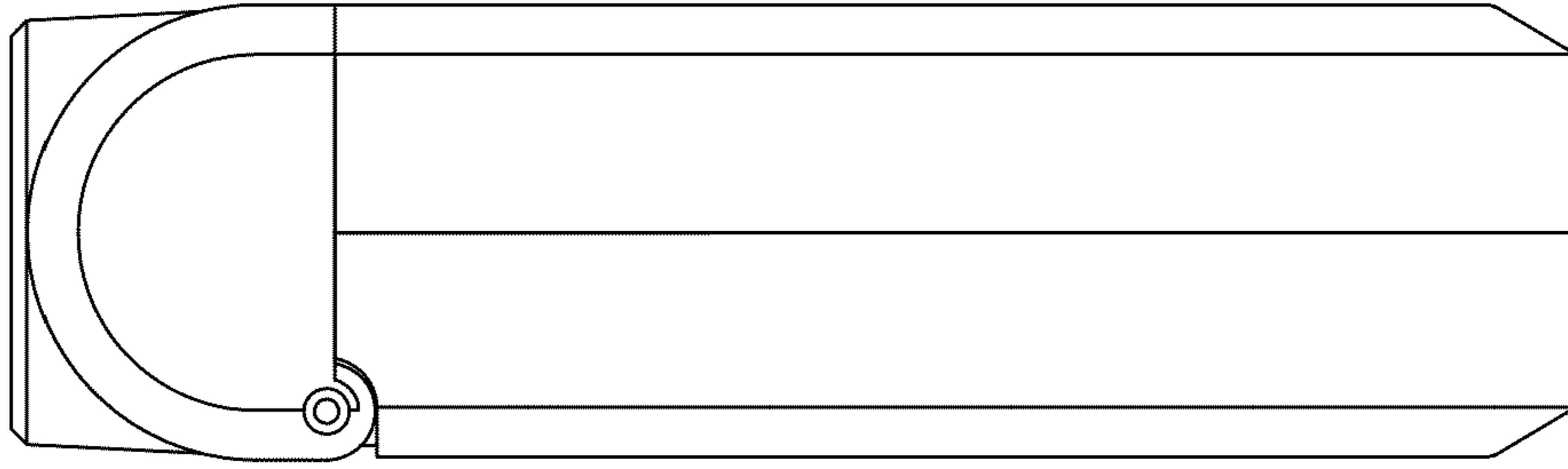


FIG. 8

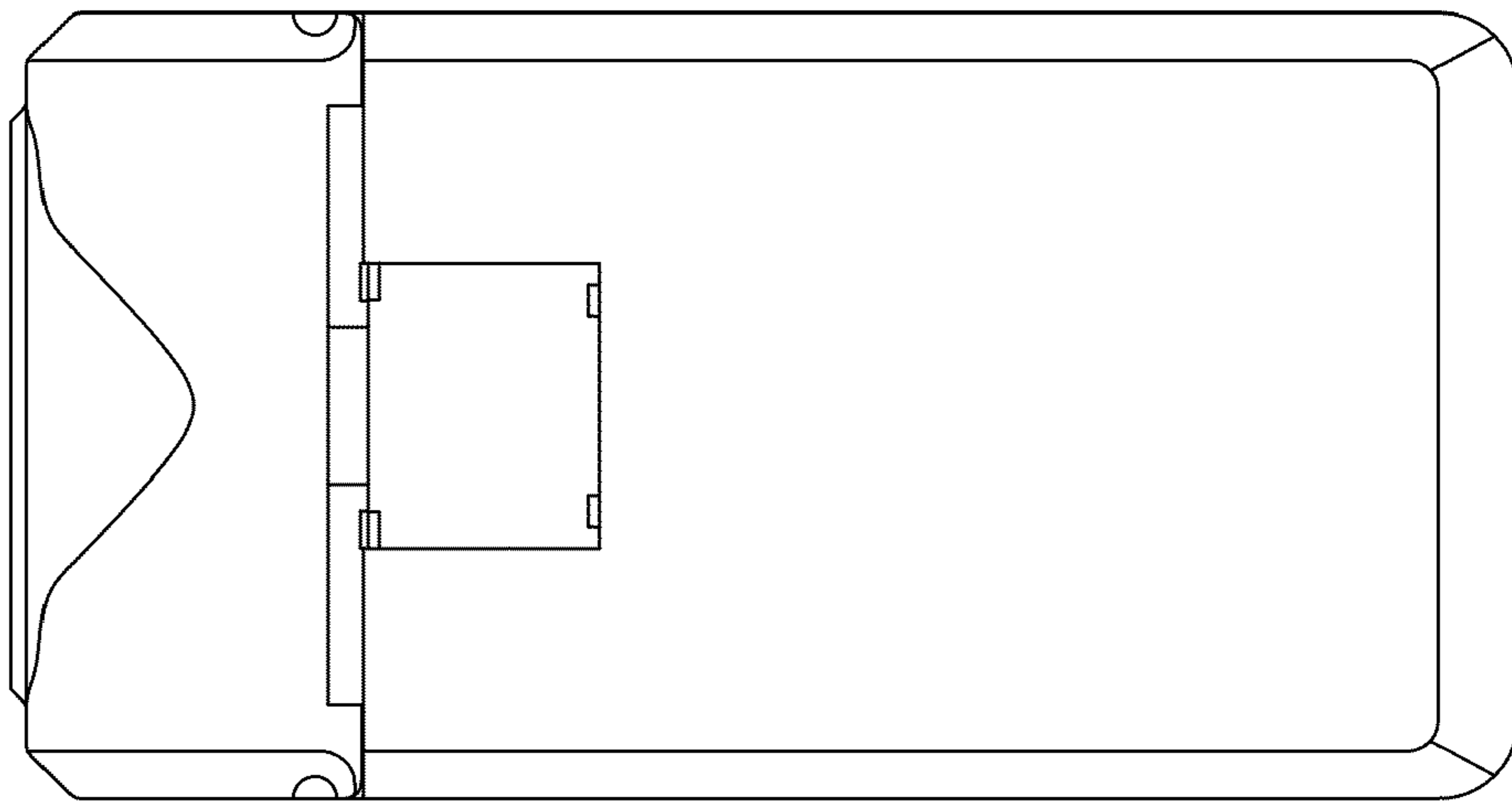


FIG. 7