



US00D650932S

(12) **United States Design Patent**
Wilson et al.

(10) **Patent No.:** **US D650,932 S**

(45) **Date of Patent:** **** Dec. 20, 2011**

(54) **LED FLARE**

(75) Inventors: **Troy Wilson**, Minden, NV (US); **Chuan Zhong He**, Shenzhen (CN)

(73) Assignee: **Aerove Industries, Inc.**, Gardnerville, NV (US)

(**) Term: **14 Years**

(21) Appl. No.: **29/387,692**

(22) Filed: **Mar. 16, 2011**

(51) **LOC (9) Cl.** **26-02**

(52) **U.S. Cl.** **D26/37**

(58) **Field of Classification Search** D26/40,
D26/41, 37, 38, 42, 46, 50; 362/103, 157,
362/158, 184, 186, 171-174, 196-208

See application file for complete search history.

(56) **References Cited**

U.S. PATENT DOCUMENTS

5,081,568	A	1/1992	Dong	
6,486,797	B1	11/2002	Laidman	
D504,968	S *	5/2005	Bayat et al.	D26/42
D515,958	S	2/2006	Dueker	
D523,577	S *	6/2006	Bayat et al.	D26/42
7,088,222	B1	8/2006	Dueker	
D548,382	S *	8/2007	Akerberg	D26/42
7,261,456	B2	8/2007	Liu	
D556,926	S *	12/2007	Thirouin	D26/37
D561,566	S	1/2008	Dueker	
D593,694	S *	6/2009	Bent	D26/37
D597,692	S *	8/2009	Jiang	D26/42
D598,150	S *	8/2009	Bertken	D26/38
D598,151	S *	8/2009	McGraw	D26/49
D606,218	S *	12/2009	Jiang	D26/42

D606,689	S *	12/2009	Bent	D26/48
D637,749	S *	5/2011	Bayat et al.	D26/49
D640,400	S *	6/2011	Huang	D26/49
D641,093	S *	7/2011	Kidman	D26/49
D641,509	S *	7/2011	Wang	D26/46
2002/0180616	A1	12/2002	Laidman	
2007/0121332	A1	5/2007	Liu	
2007/0176784	A1	8/2007	Fautin	

* cited by examiner

Primary Examiner — Ian Simmons

Assistant Examiner — Carissa C Fitts

(74) *Attorney, Agent, or Firm* — Watson Rounds; Marc D. Foodman

(57) **CLAIM**

The ornamental design for an LED flare, as shown and described.

DESCRIPTION

The present Application is related to co-pending U.S. patent application Ser. No. 13/049,761, filed Mar. 16, 2011. The entirety of which is incorporated by reference in the present application.

FIG. 1 is a front view of the first image of a LED flare showing my design;

FIG. 2 is a top view of a second image thereof;

FIG. 3 is a bottom view of a third image thereof;

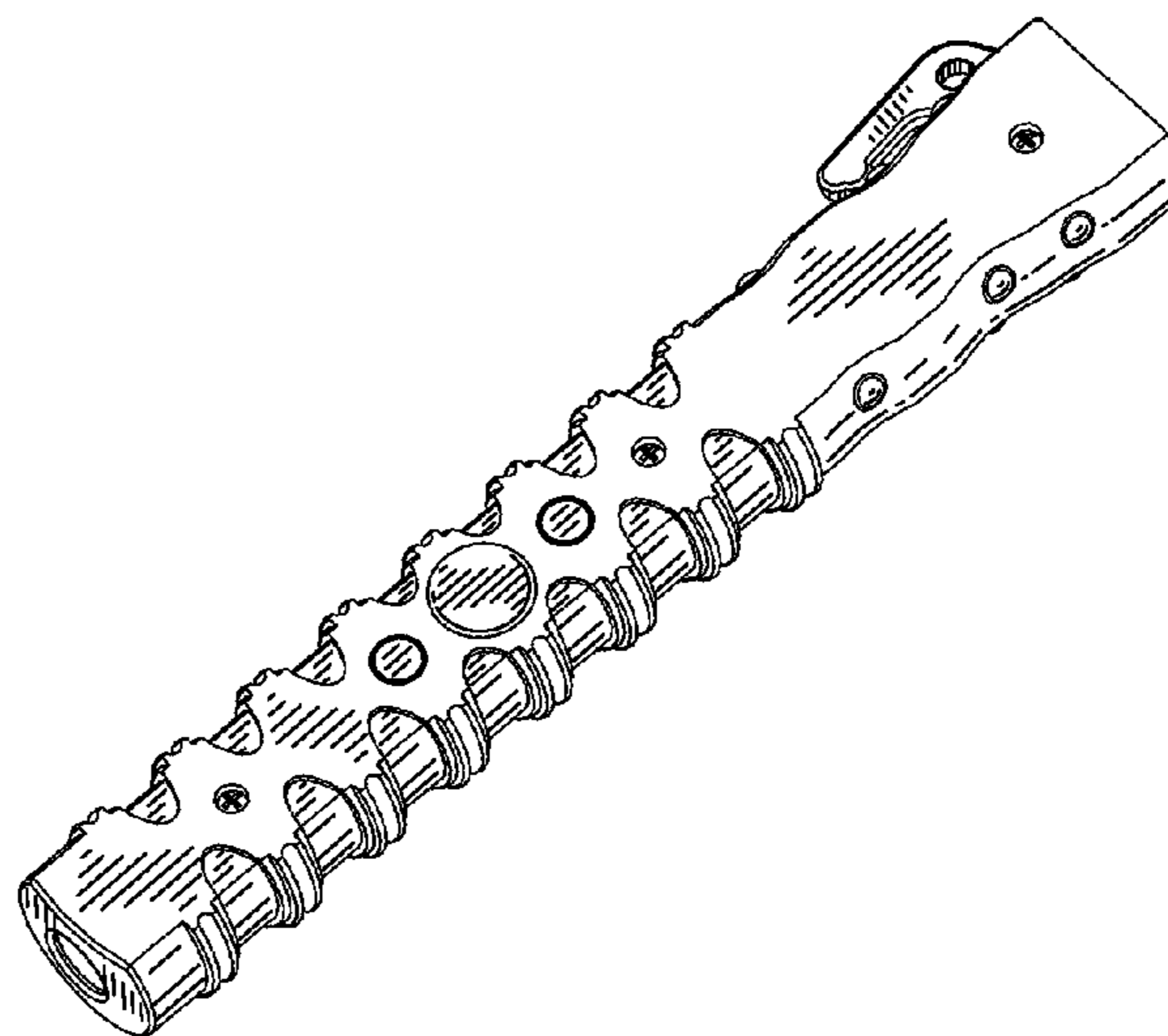
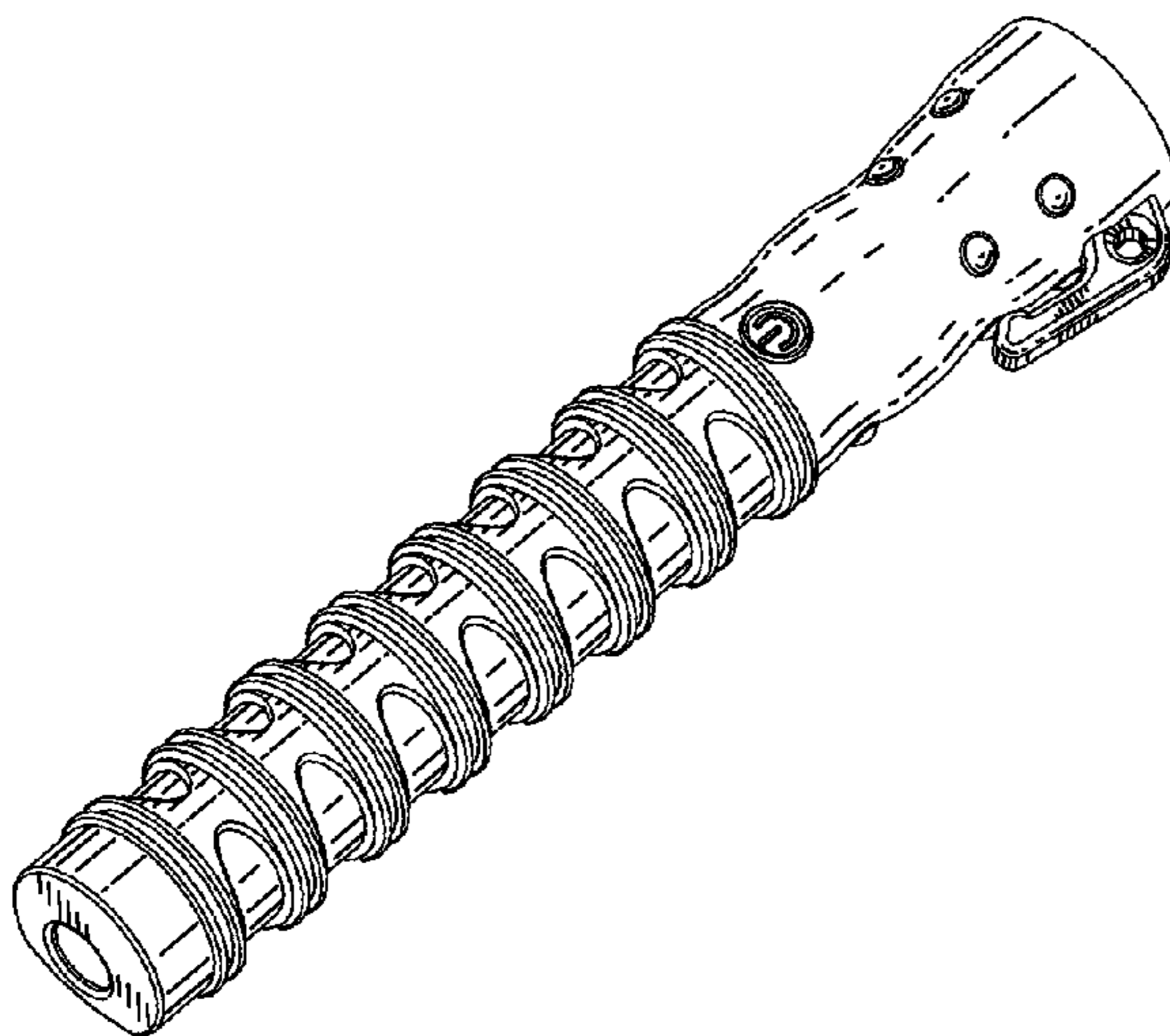
FIG. 4 is a side view of a fourth image thereof;

FIG. 5 is a back view of a fifth image thereof;

FIG. 6 is a perspective front view of a sixth image thereof; and,

FIG. 7 is a perspective back view of a seventh image thereof.

1 Claim, 2 Drawing Sheets



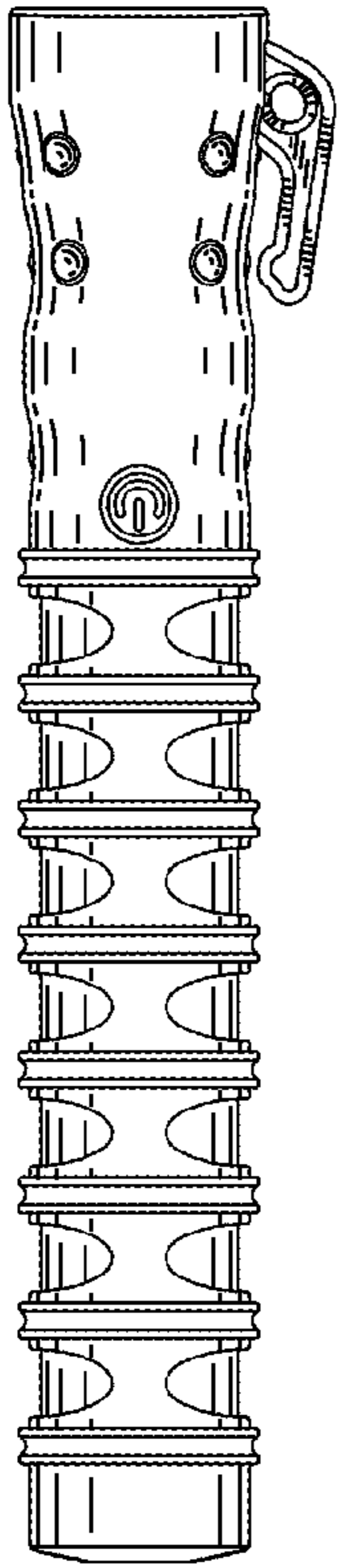


FIG. 1

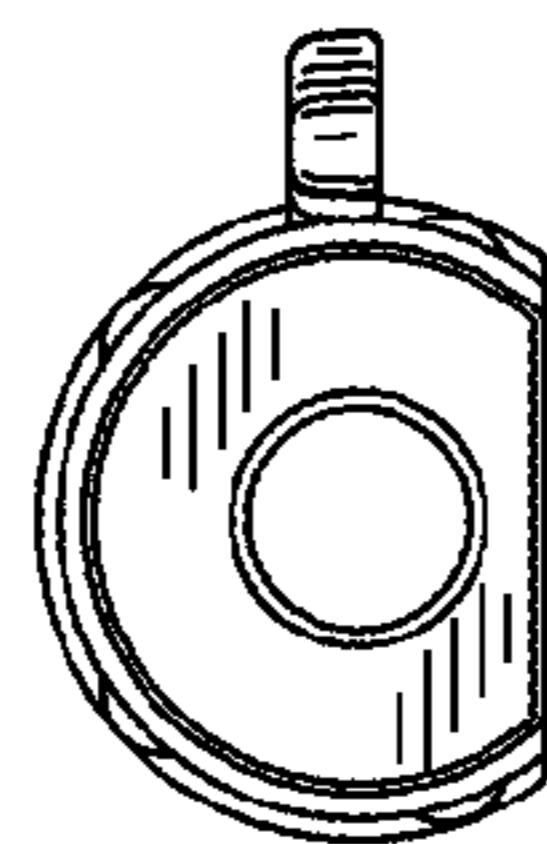


FIG. 2

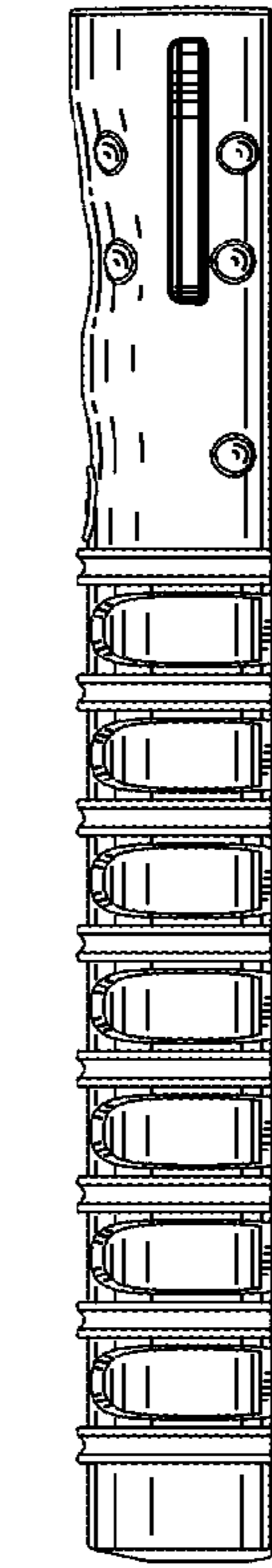


FIG. 4

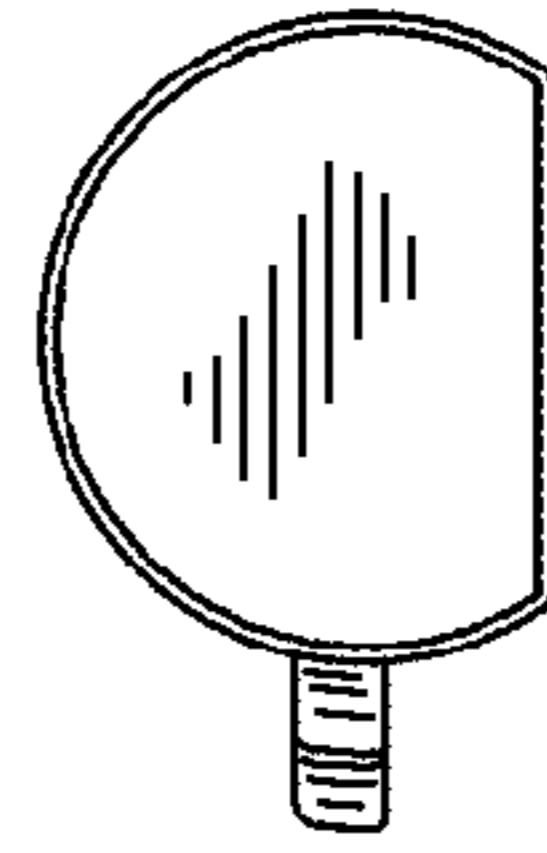


FIG. 3



FIG. 5

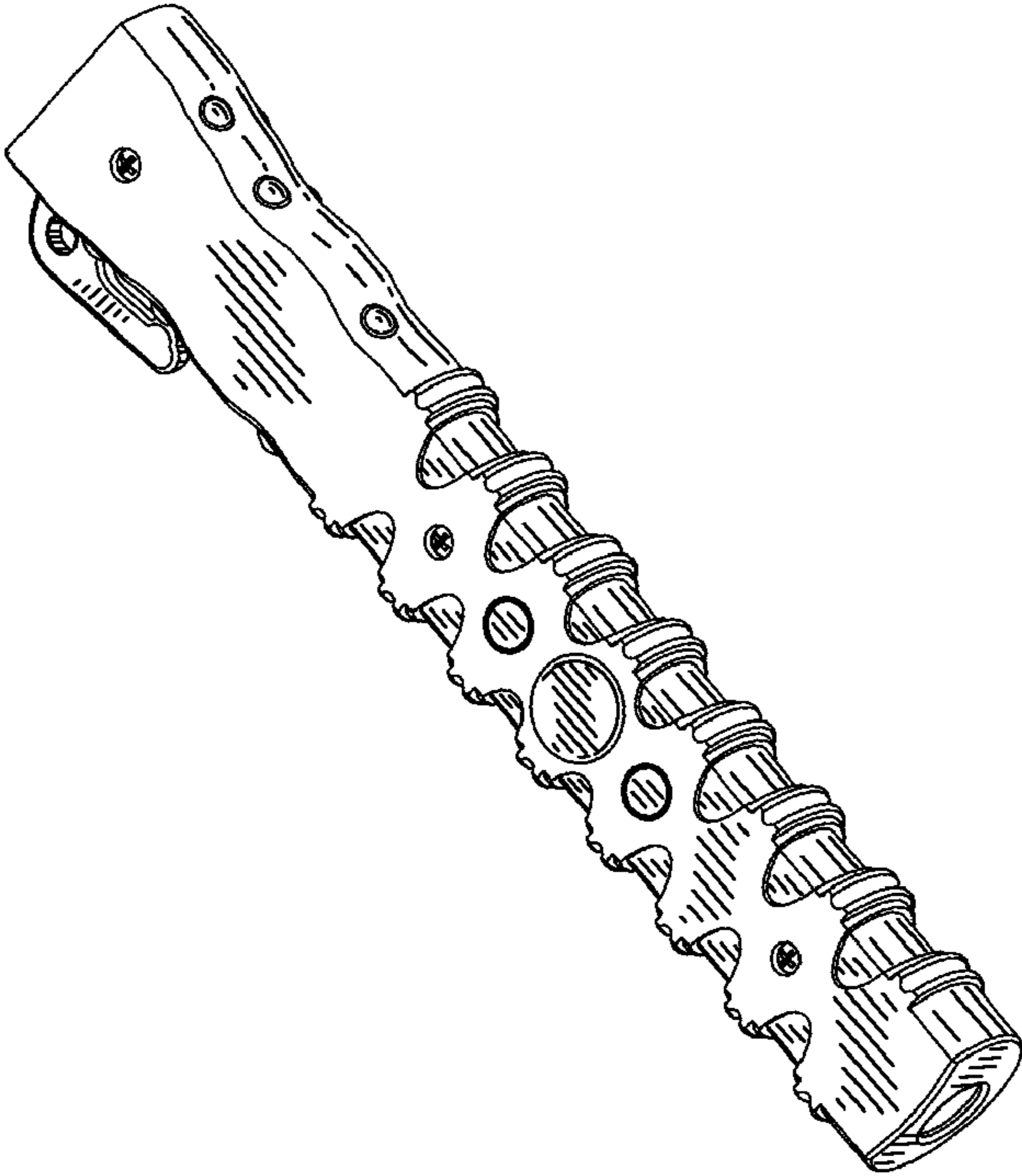


FIG. 7

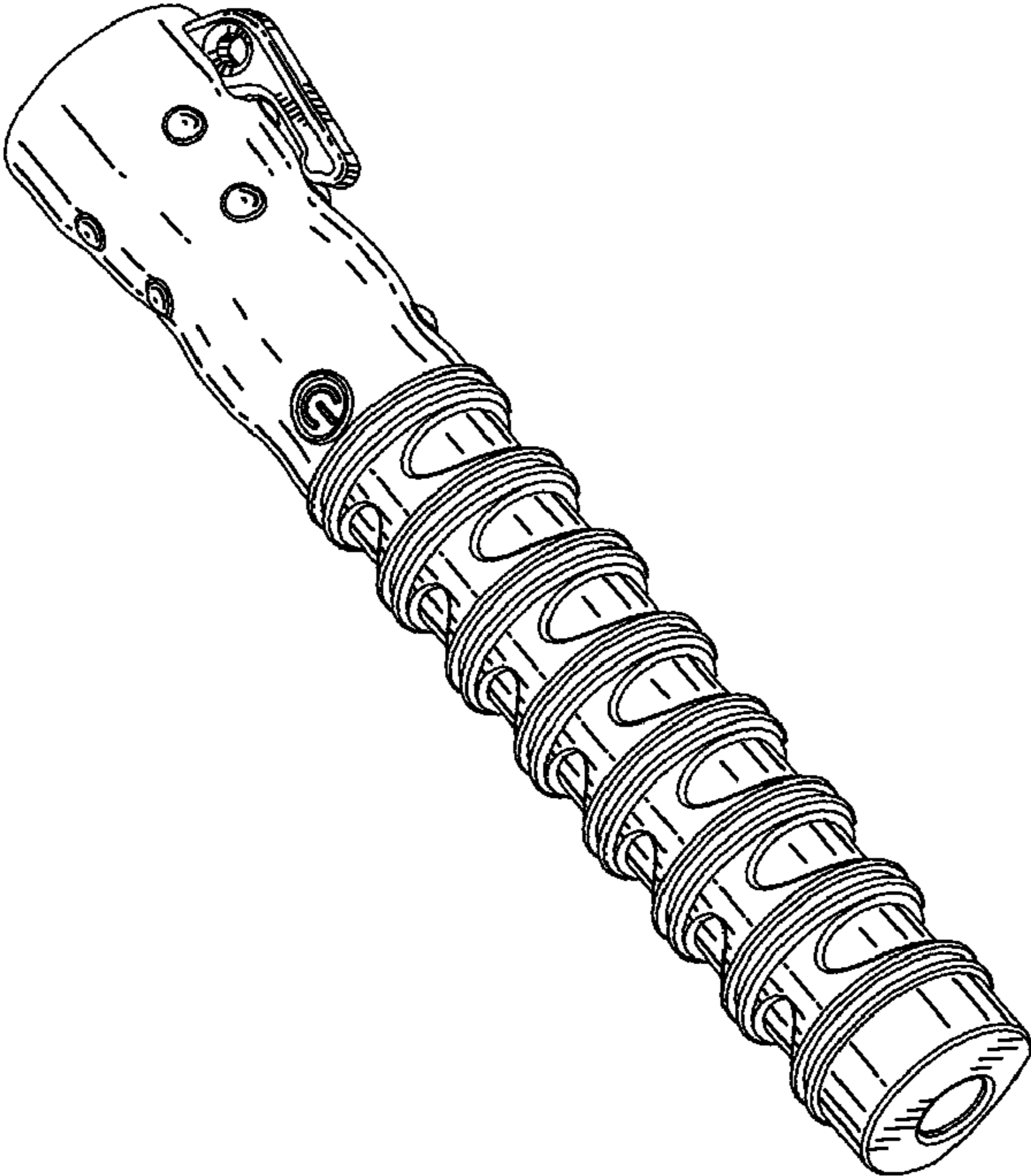


FIG. 6