

US00D650930S

(12) **United States Design Patent**
Wu

(10) **Patent No.:** **US D650,930 S**

(45) **Date of Patent:** **** Dec. 20, 2011**

(54) **VEHICLE LIGHT HOUSING**

(75) Inventor: **Hua-Chi Wu**, Tainan (TW)

(73) Assignee: **Coplus Inc.**, Yung Kang (TW)

(**) Term: **14 Years**

(21) Appl. No.: **29/358,985**

(22) Filed: **Apr. 2, 2010**

(51) **LOC (9) Cl.** **26-06**

(52) **U.S. Cl.** **D26/28**

(58) **Field of Classification Search** D26/28-36;
362/459-468, 475-478, 485-487

See application file for complete search history.

(56) **References Cited**

U.S. PATENT DOCUMENTS

D606,217 S * 12/2009 Wu D26/28
D607,128 S * 12/2009 Wu D26/28

D609,833 S * 2/2010 Wu D26/28
D615,675 S * 5/2010 Wu D26/28
D616,124 S * 5/2010 Wu D26/28

* cited by examiner

Primary Examiner — Marcus Jackson

(74) *Attorney, Agent, or Firm* — Christie, Parker & Hale, LLP

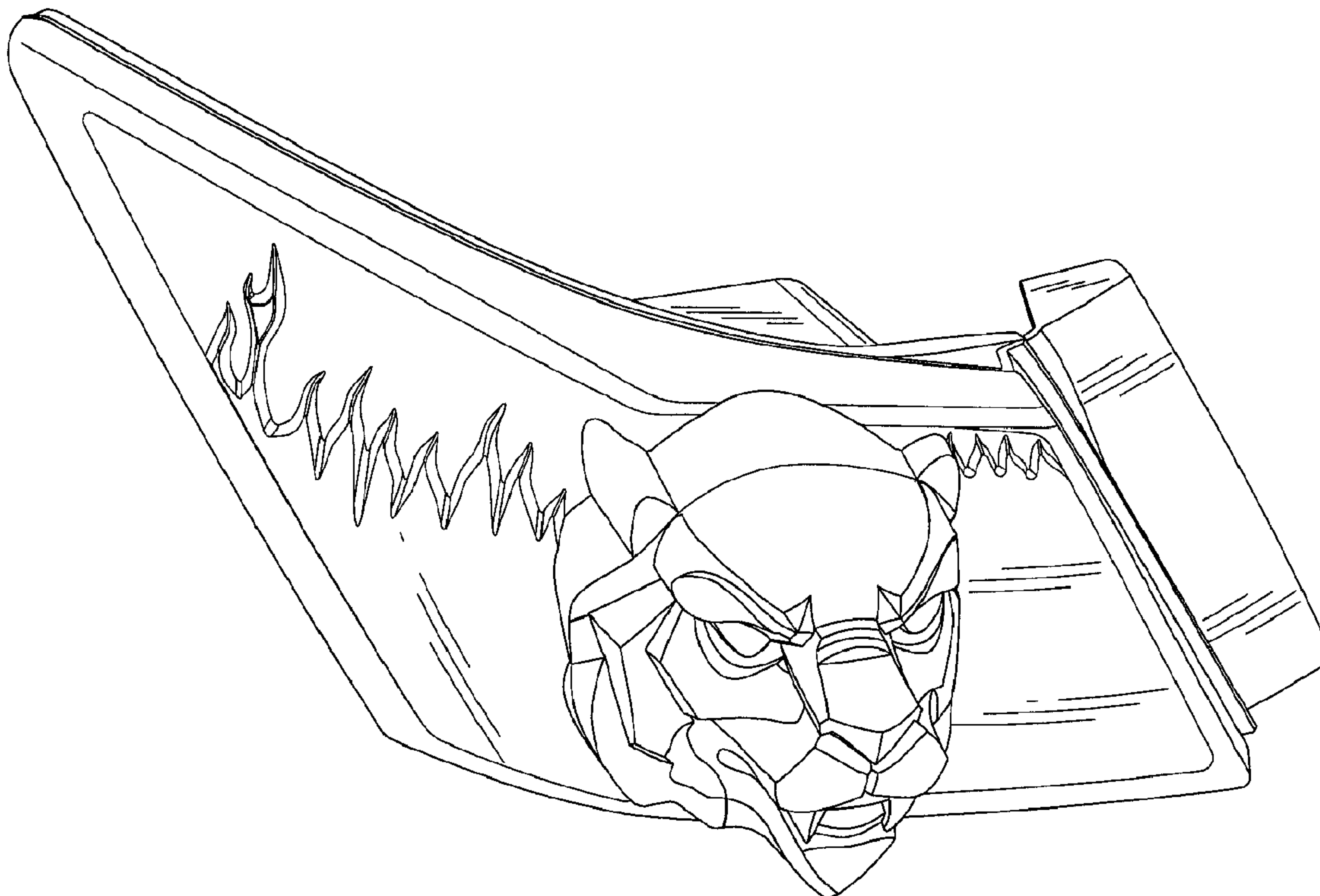
(57) **CLAIM**

The ornamental design for a vehicle light housing, as shown and described.

DESCRIPTION

FIG. 1 is a perspective view of a vehicle light housing;
FIG. 2 is a front end view thereof;
FIG. 3 is a rear end view thereof;
FIG. 4 is a left side view thereof;
FIG. 5 is a right side view thereof;
FIG. 6 is a top view thereof; and,
FIG. 7 is a bottom view thereof.

1 Claim, 5 Drawing Sheets



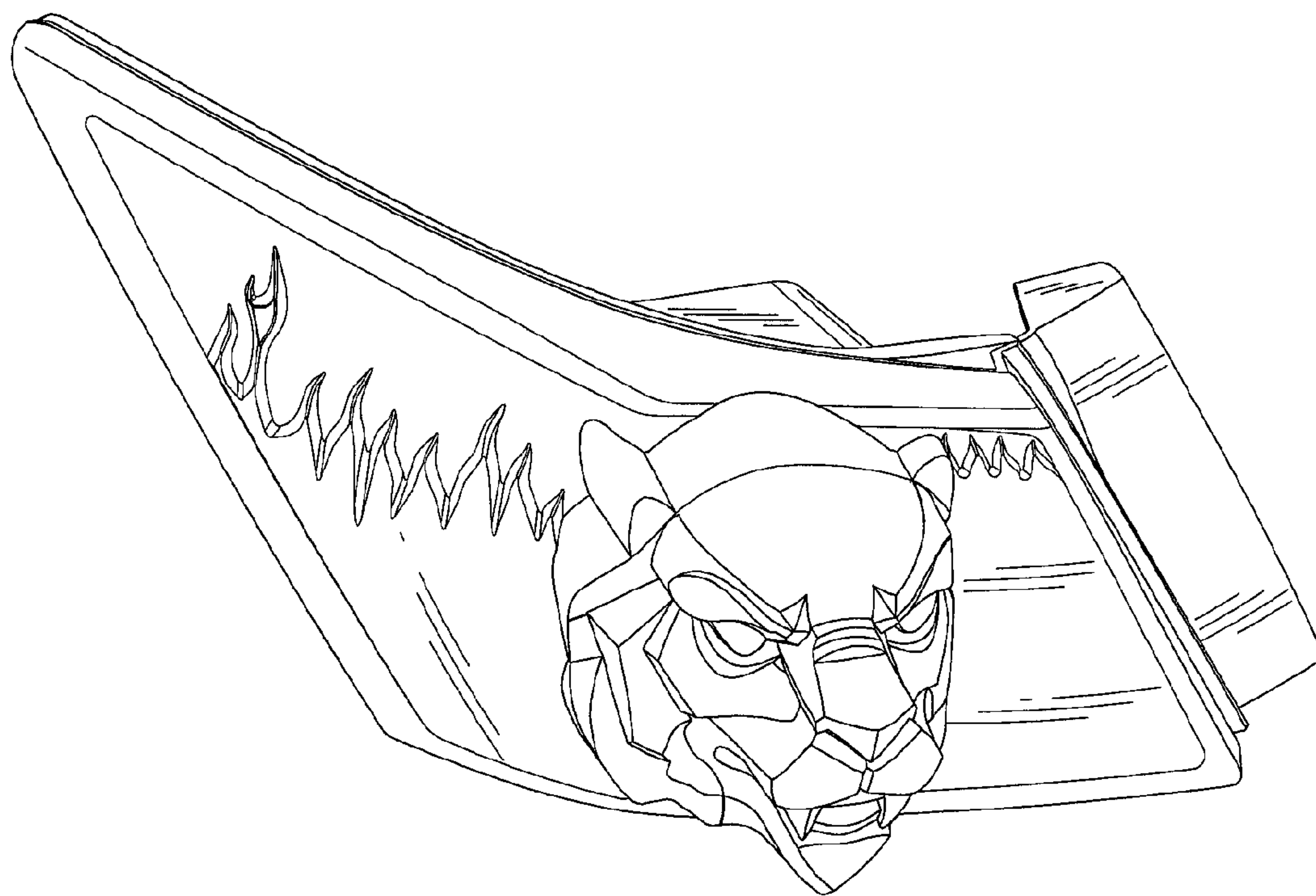


FIG. 1

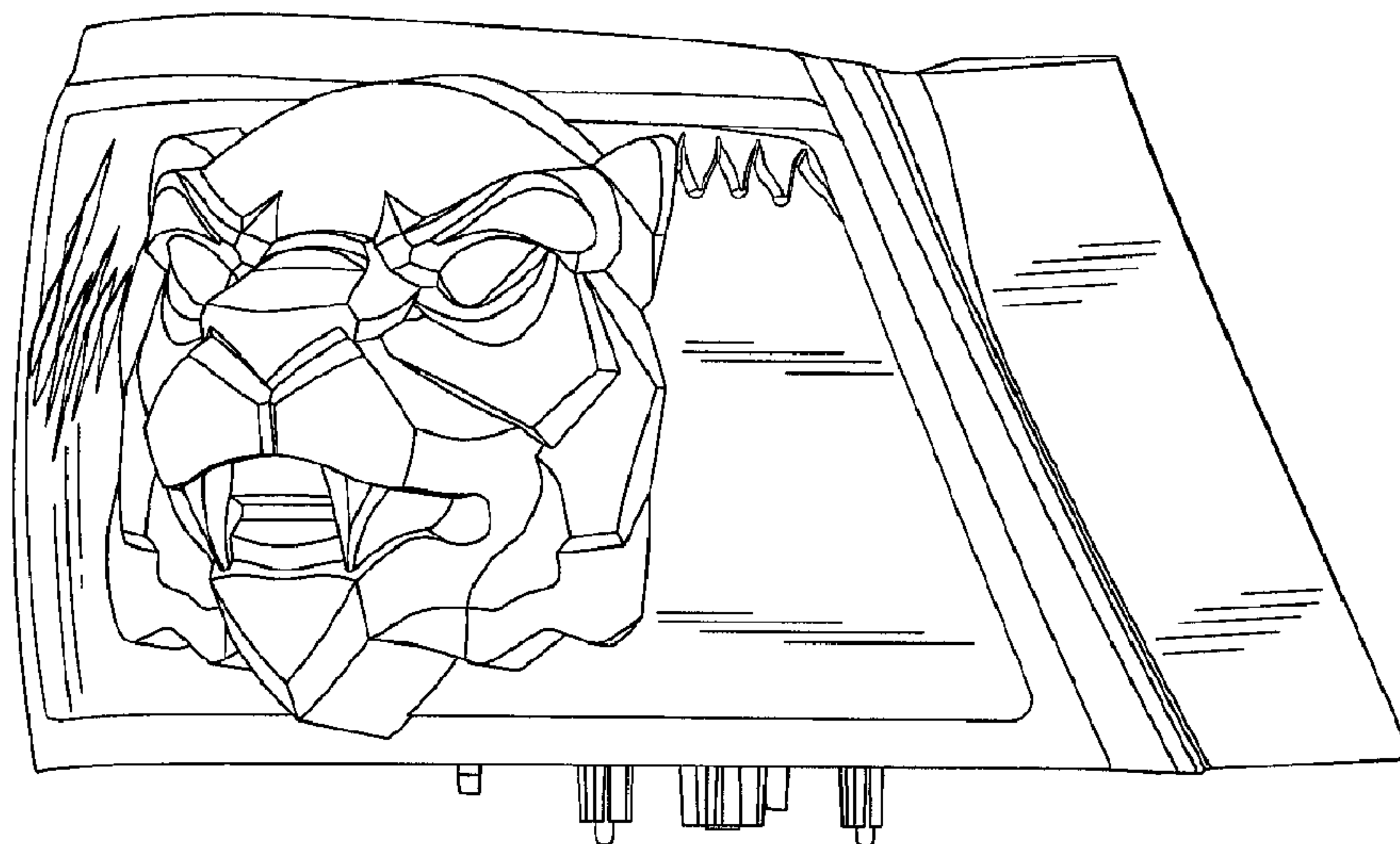


FIG. 2

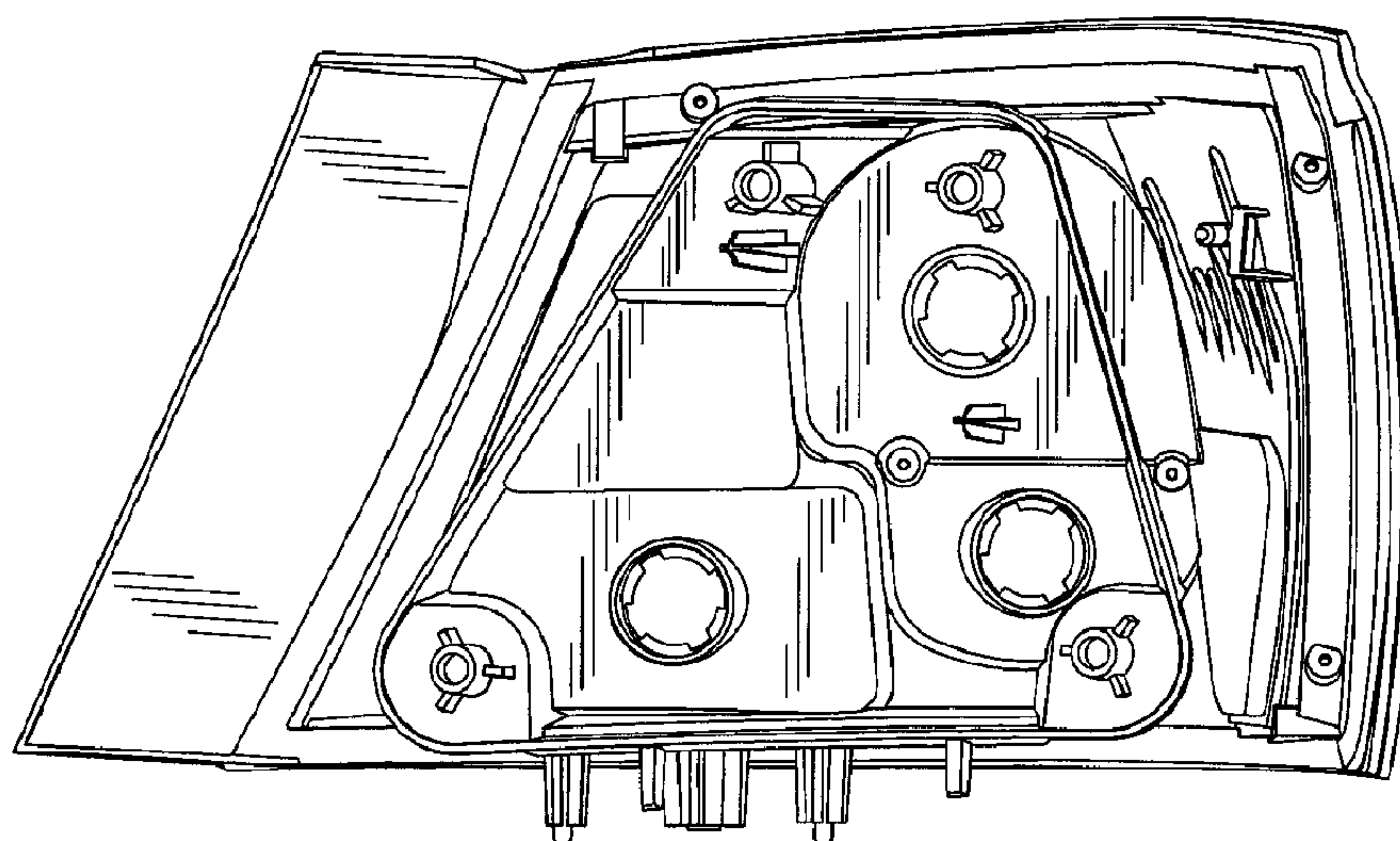


FIG. 3

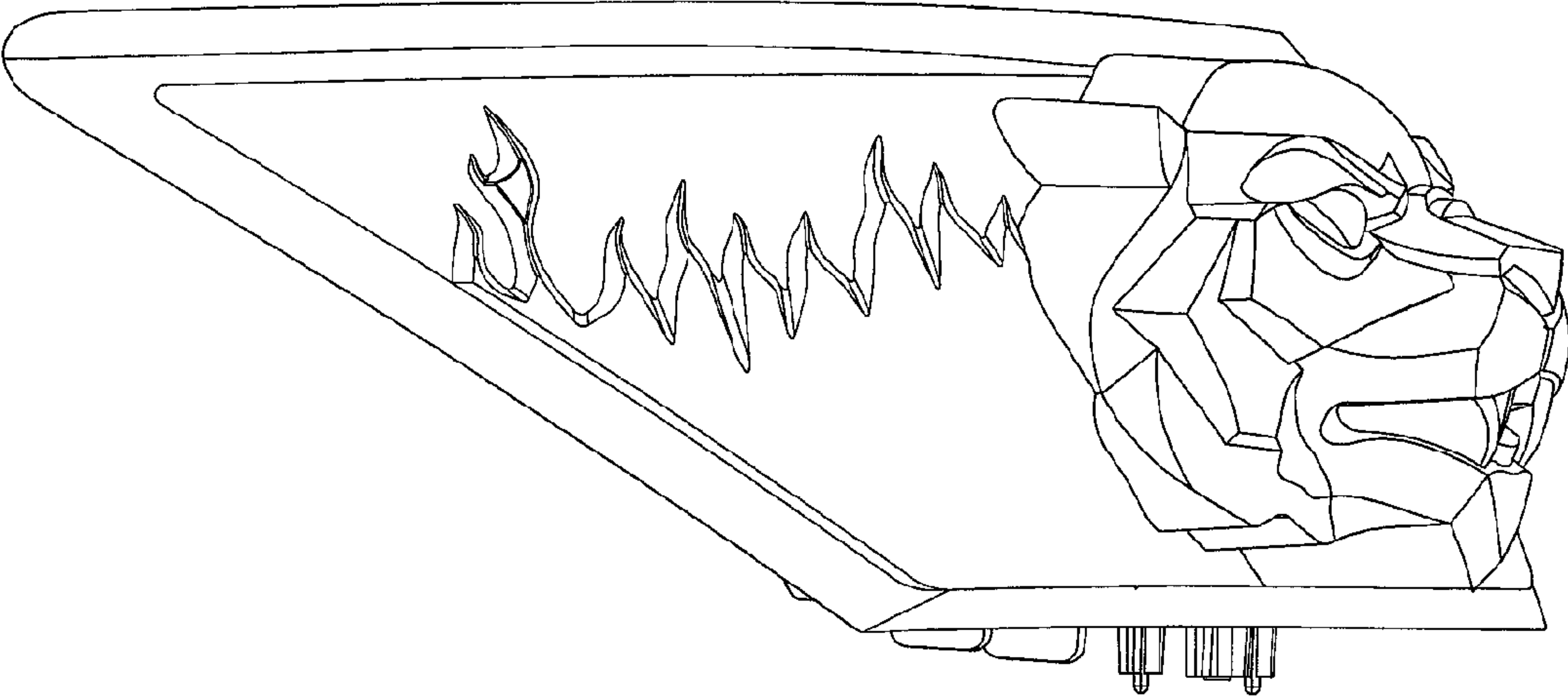


FIG. 4

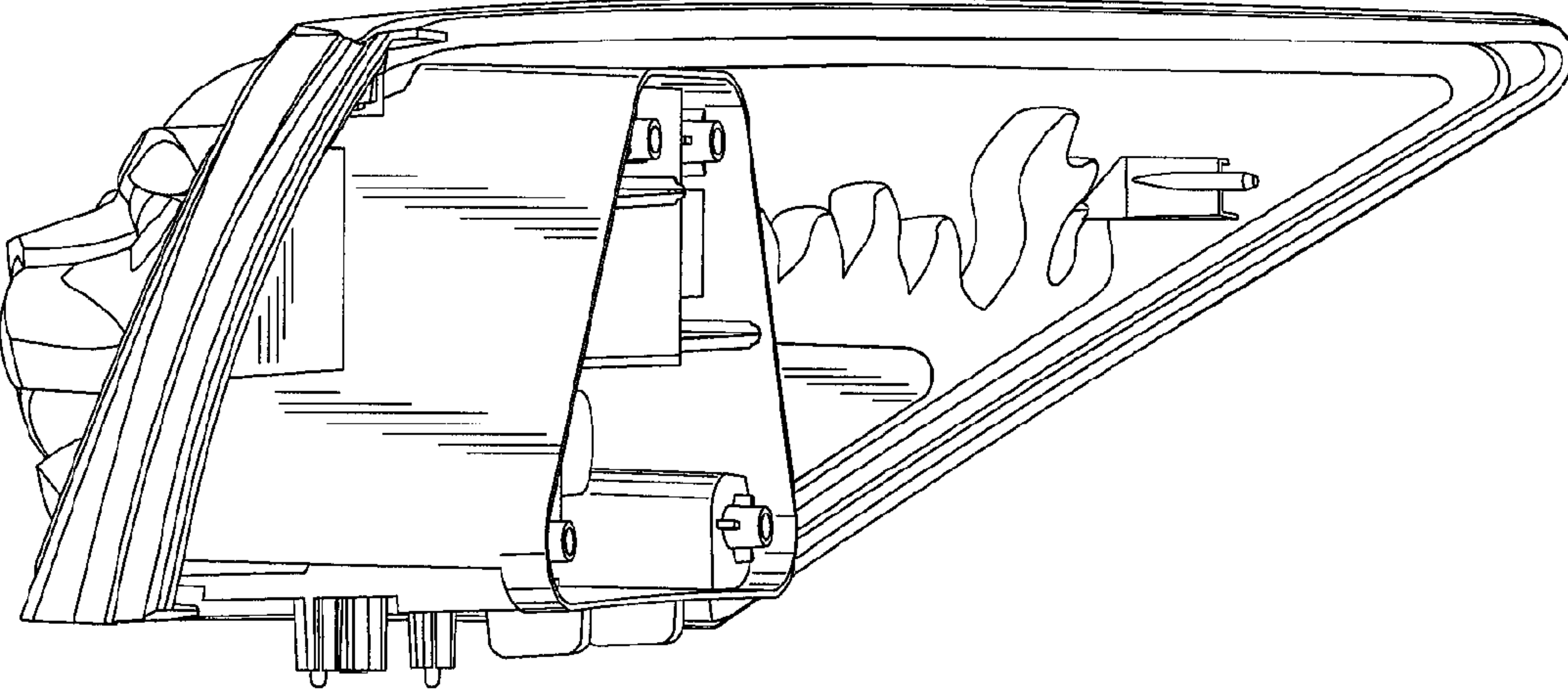


FIG. 5

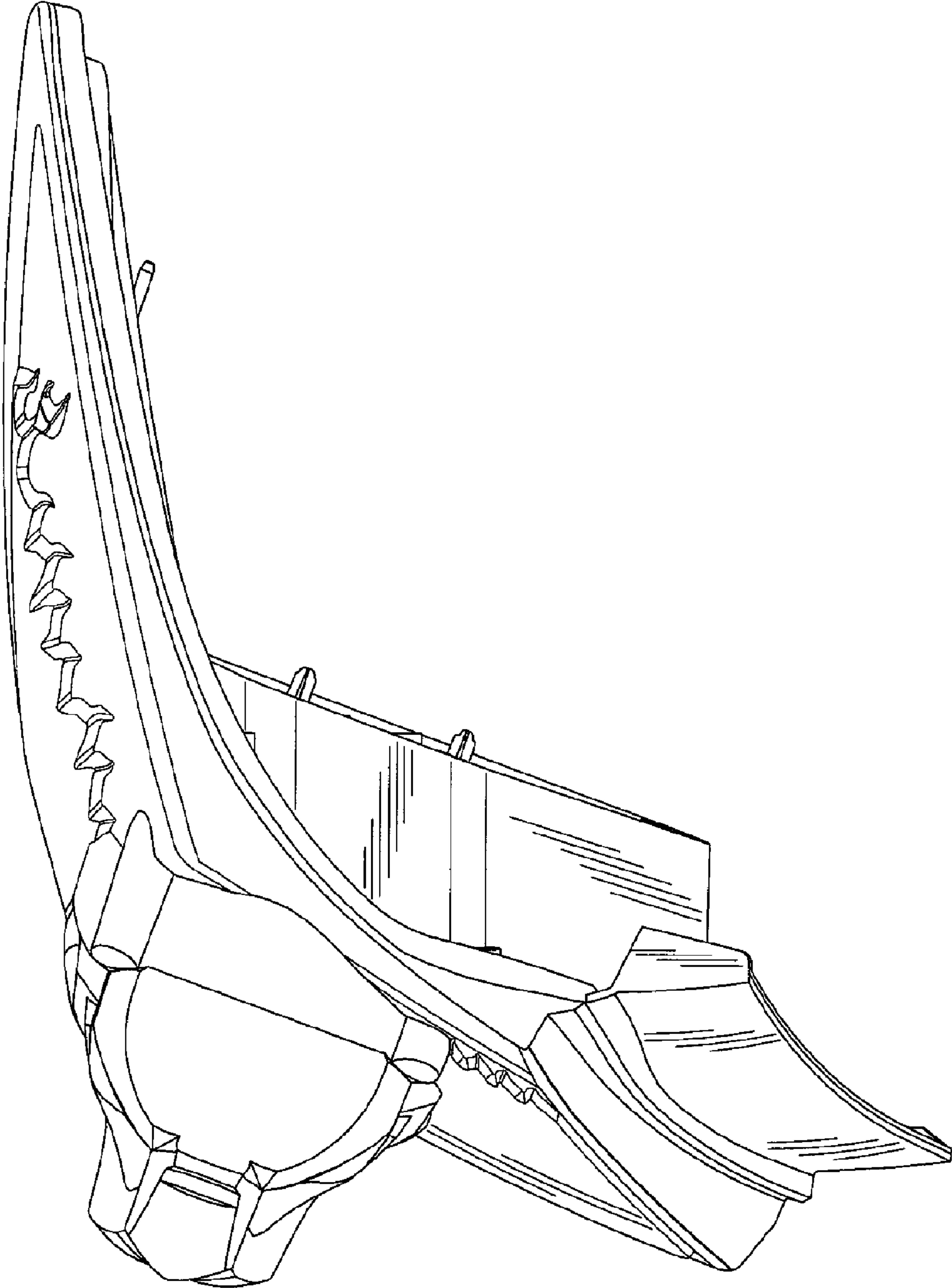


FIG. 6

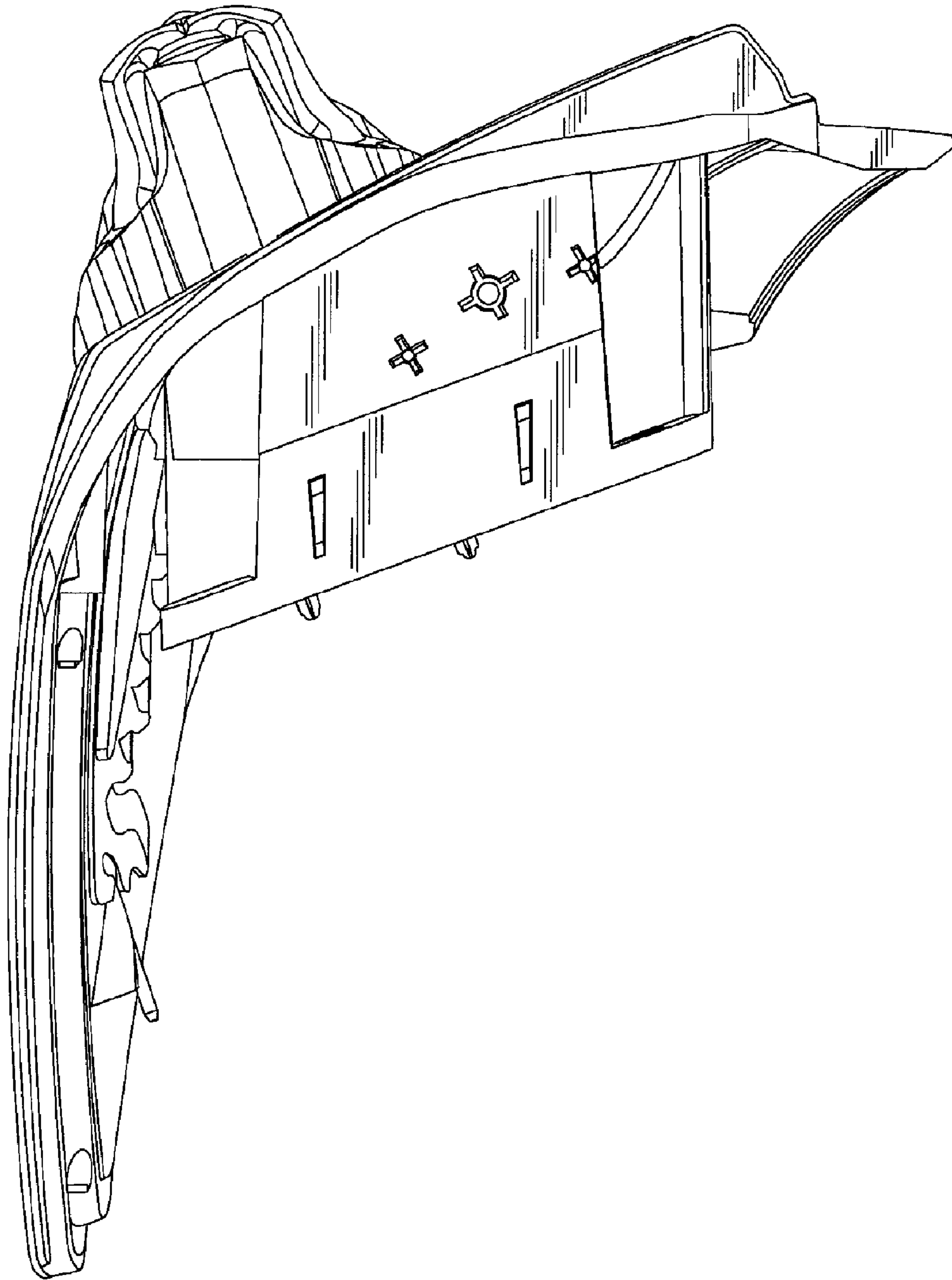


FIG. 7