

US00D650925S

(12) **United States Design Patent**
Zhang

(10) **Patent No.:** **US D650,925 S**
(45) **Date of Patent:** **** Dec. 20, 2011**

(54) **LED BULB**

(75) Inventor: **Sumin Zhang**, Shenzhen (CN)

(73) Assignee: **Smalux Electrical Mfg. Ltd.**, Shenzhen (CN)

(**) Term: **14 Years**

(21) Appl. No.: **29/353,707**

(22) Filed: **Jan. 13, 2010**

(30) **Foreign Application Priority Data**

Jul. 13, 2009 (CN) 2009 3 0167235
Jul. 13, 2009 (CN) 2009 3 0167236
Jul. 13, 2009 (CN) 2009 3 0167237

(51) **LOC (9) Cl.** **26-04**

(52) **U.S. Cl.** **D26/2**

(58) **Field of Classification Search** D26/1-4;
313/313, 315, 316, 317, 318, 493; 315/52,
315/53, 56, 57, 58

See application file for complete search history.

(56) **References Cited**

U.S. PATENT DOCUMENTS

D544,109 S * 6/2007 Tsuruha et al. D26/2
D558,904 S * 1/2008 Tsuruha et al. D26/2
D579,130 S * 10/2008 Hernandez et al. D26/2
D600,368 S * 9/2009 Bertram et al. D26/2
D610,272 S * 2/2010 Guo et al. D26/2
D610,273 S * 2/2010 Guo et al. D26/2

* cited by examiner

Primary Examiner — Marcus Jackson

(74) *Attorney, Agent, or Firm* — Dovas Law, P.C.

(57) **CLAIM**

The ornamental design for an LED bulb, as shown and described.

DESCRIPTION

FIG. 1 is a front elevational view of an LED bulb showing a first preferred embodiment of my new design;

FIG. 2 is a first side elevational view of the LED bulb of FIG. 1.

FIG. 3 is a rear elevational view of the LED bulb of FIG. 1.

FIG. 4 is a second side elevational view of the LED bulb of FIG. 1.

FIG. 5 is a top plan view of the LED bulb of FIG. 1.

FIG. 6 is a bottom plan view of the LED bulb of FIG. 1.

FIG. 7 is a top perspective view of the LED bulb of FIG. 1.

FIG. 8 is a front elevational view of an LED bulb showing a second preferred embodiment of my new design;

FIG. 9 is a first side elevational view of the LED bulb of FIG. 8.

FIG. 10 is a rear elevational view of the LED bulb of FIG. 8.

FIG. 11 is a second side elevational view of the LED bulb of FIG. 8.

FIG. 12 is a top plan view of the LED bulb of FIG. 8.

FIG. 13 is a bottom plan view of the LED bulb of FIG. 8.

FIG. 14 is a top perspective view of the LED bulb of FIG. 8.

FIG. 15 is a front elevational view of an LED bulb showing a third preferred embodiment of my new design;

FIG. 16 is a first side elevational view of the LED bulb of FIG. 15.

FIG. 17 is a rear elevational view of the LED bulb of FIG. 15.

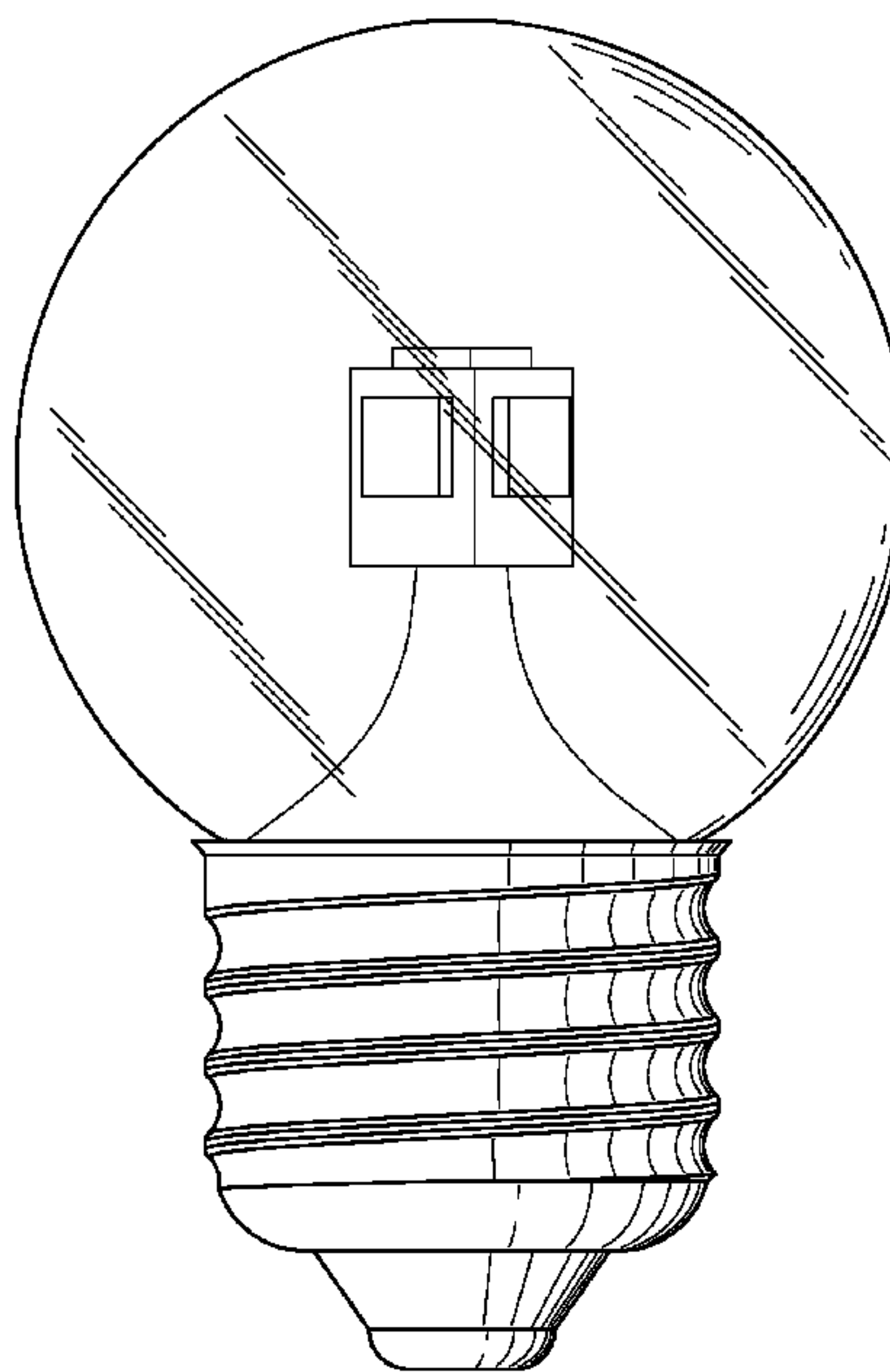
FIG. 18 is a second side elevational view of the LED bulb of FIG. 15.

FIG. 19 is a top plan view of the LED bulb of FIG. 15.

FIG. 20 is a bottom plan view of the LED bulb of FIG. 15; and,

FIG. 21 is a top perspective view of the LED bulb of FIG. 15.

1 Claim, 21 Drawing Sheets



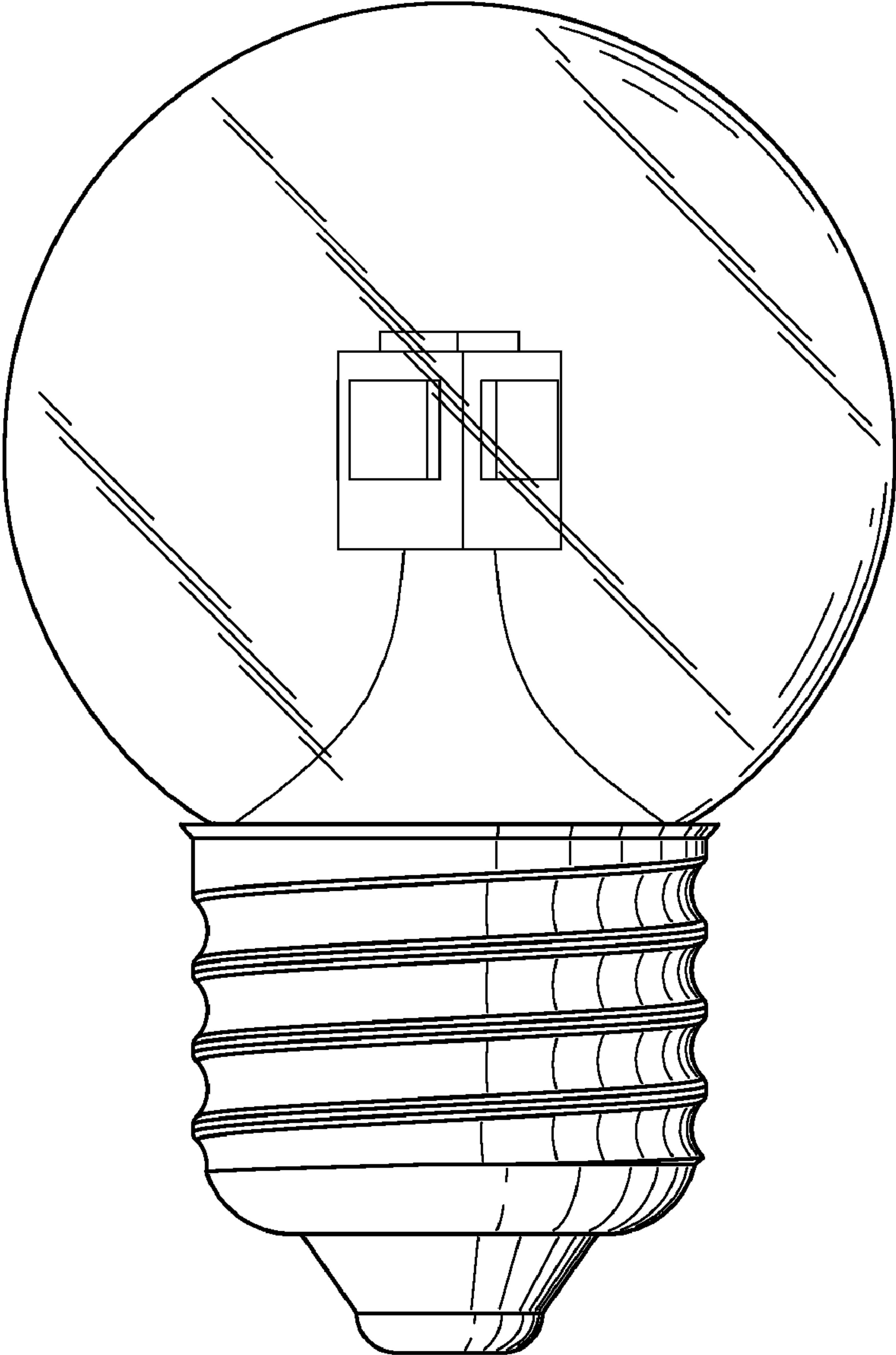


FIG. 1

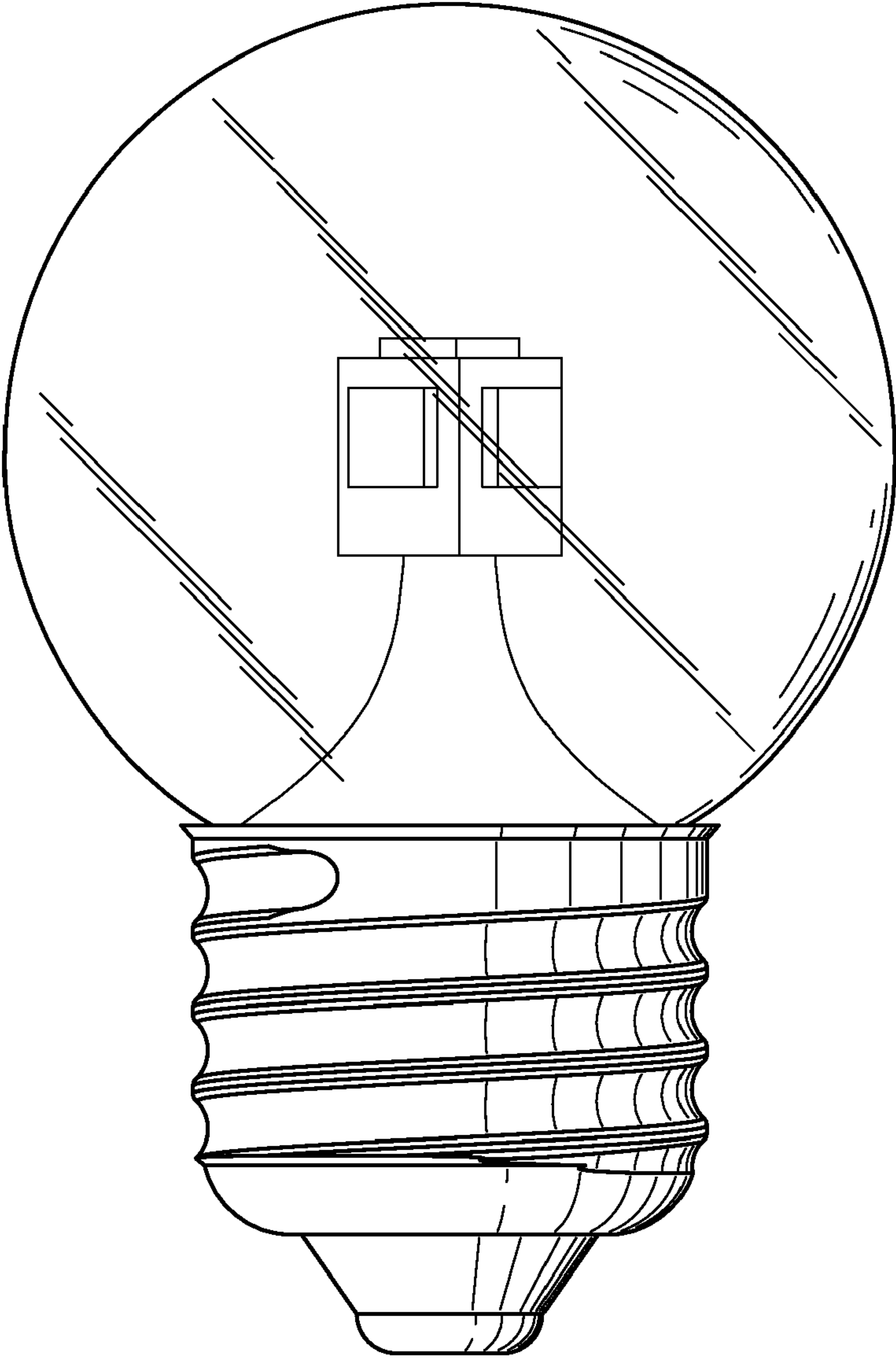


FIG. 2

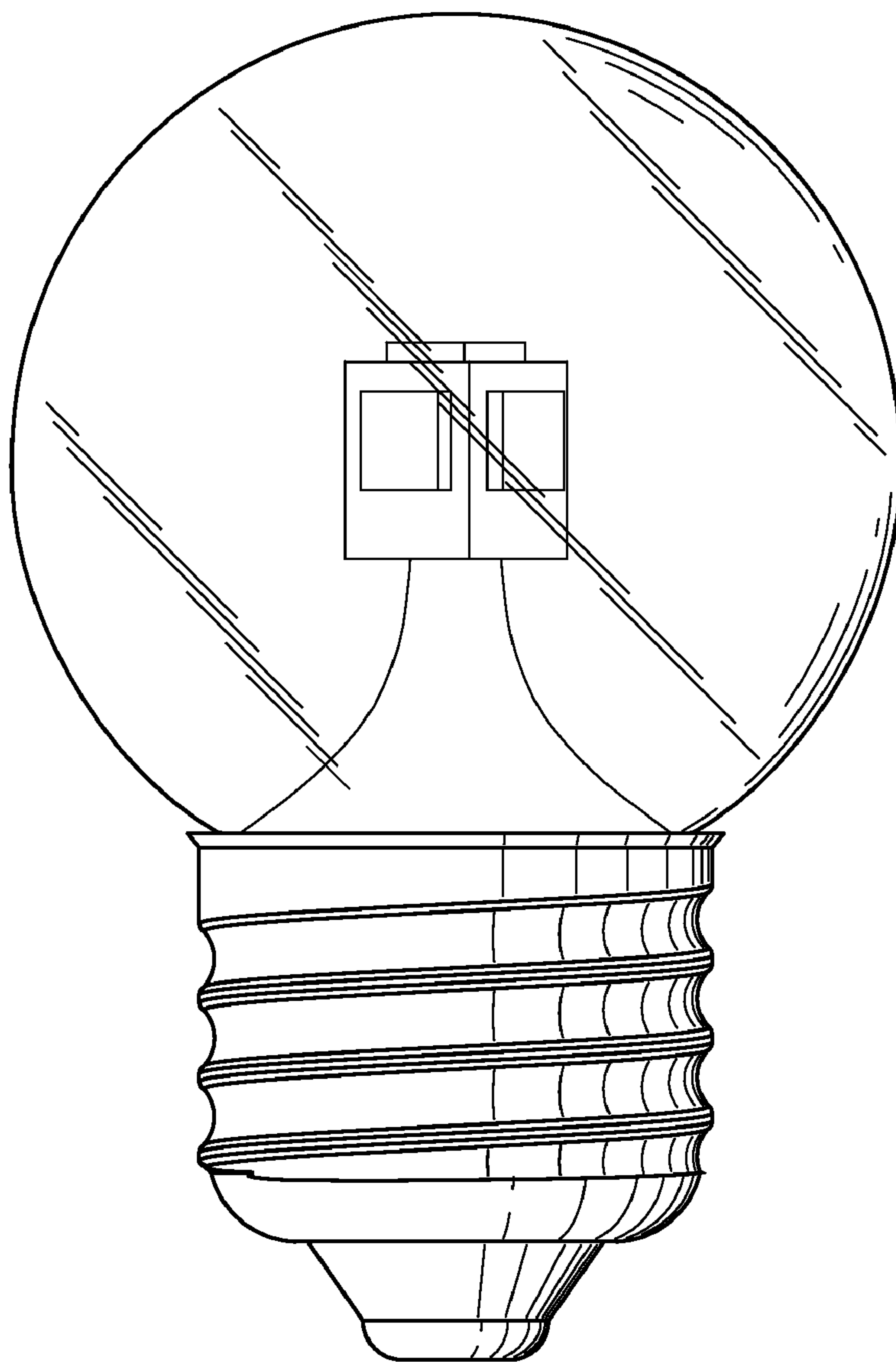


FIG. 3

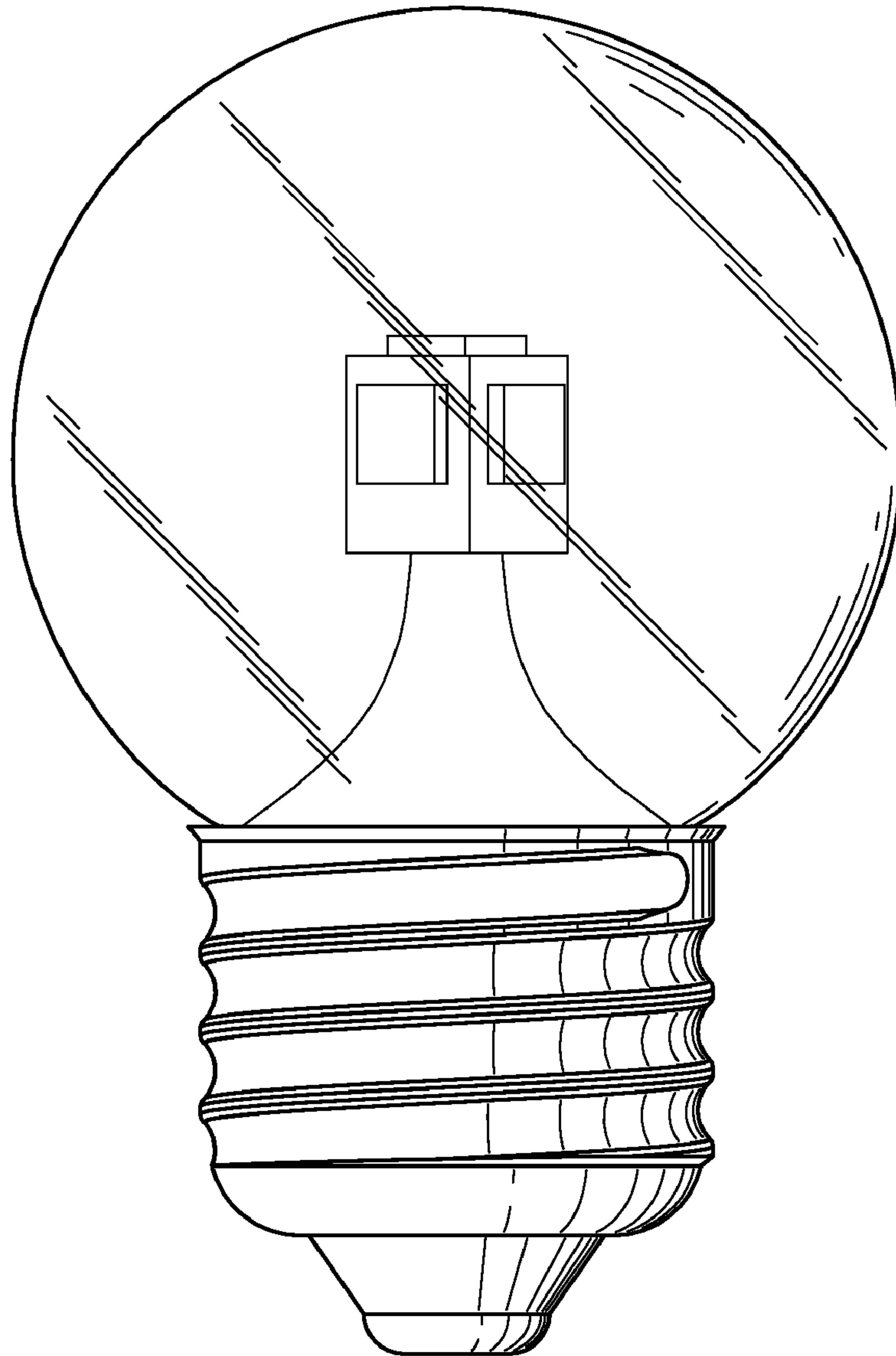


FIG. 4

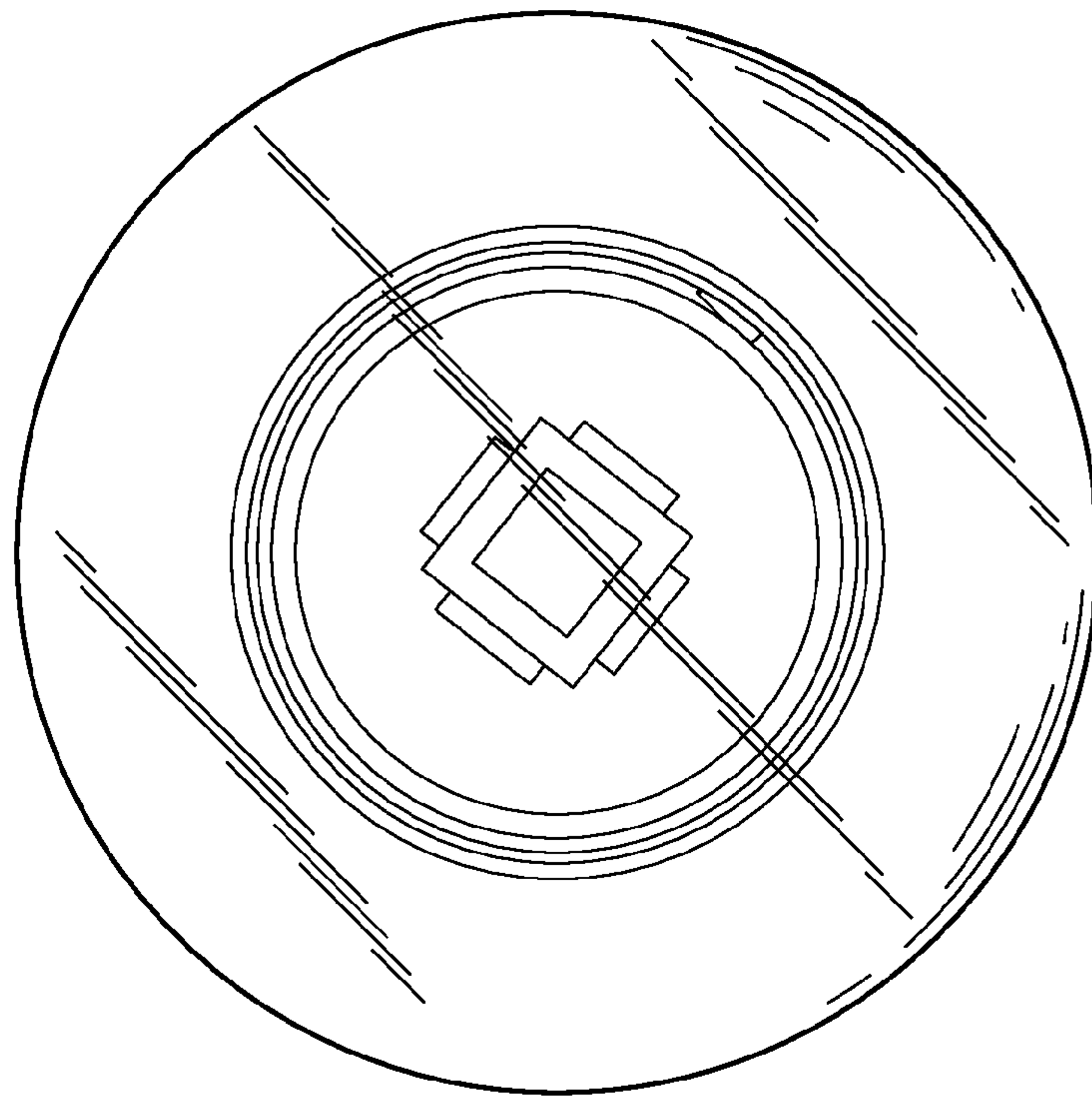


FIG. 5

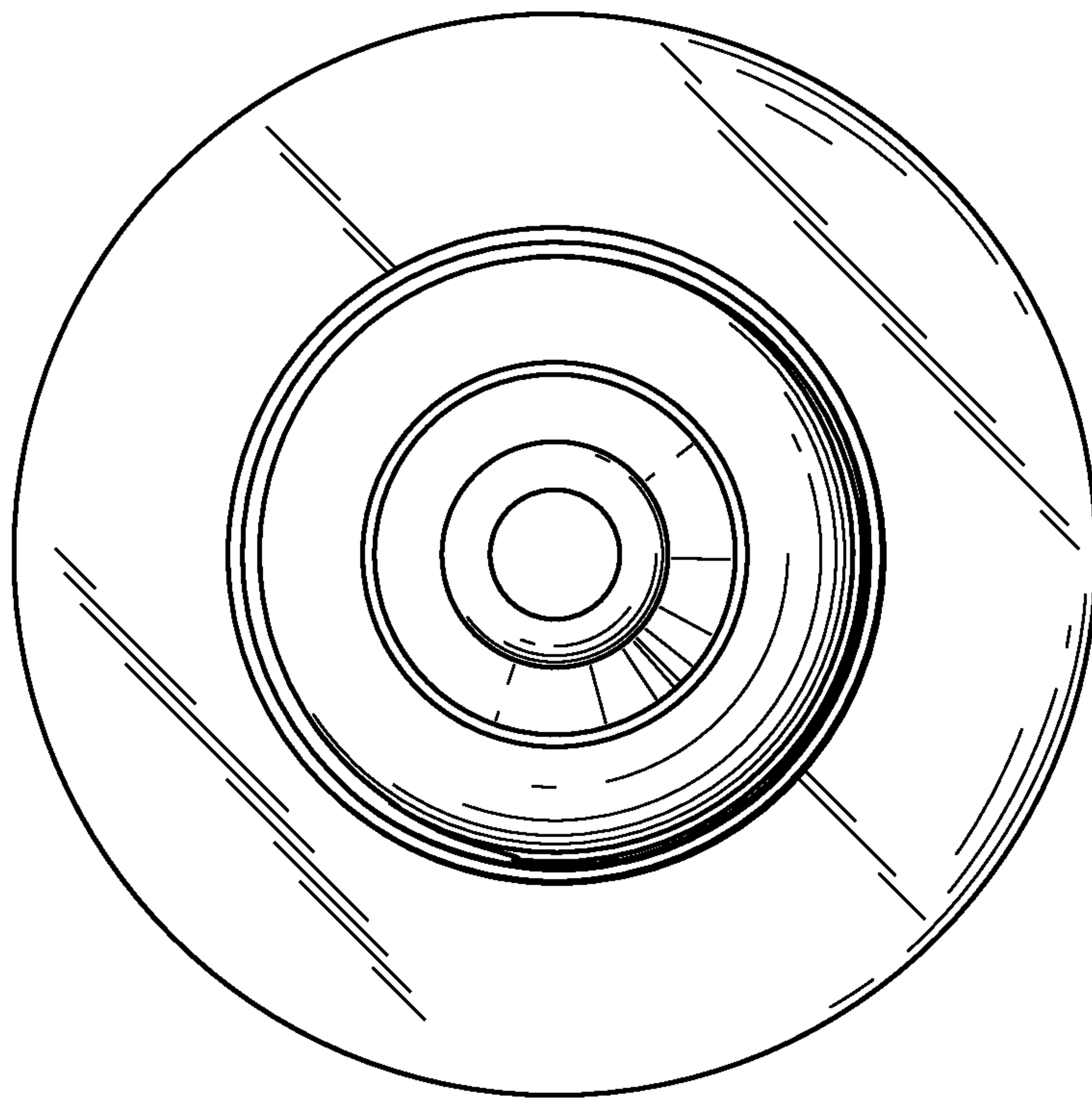


FIG. 6

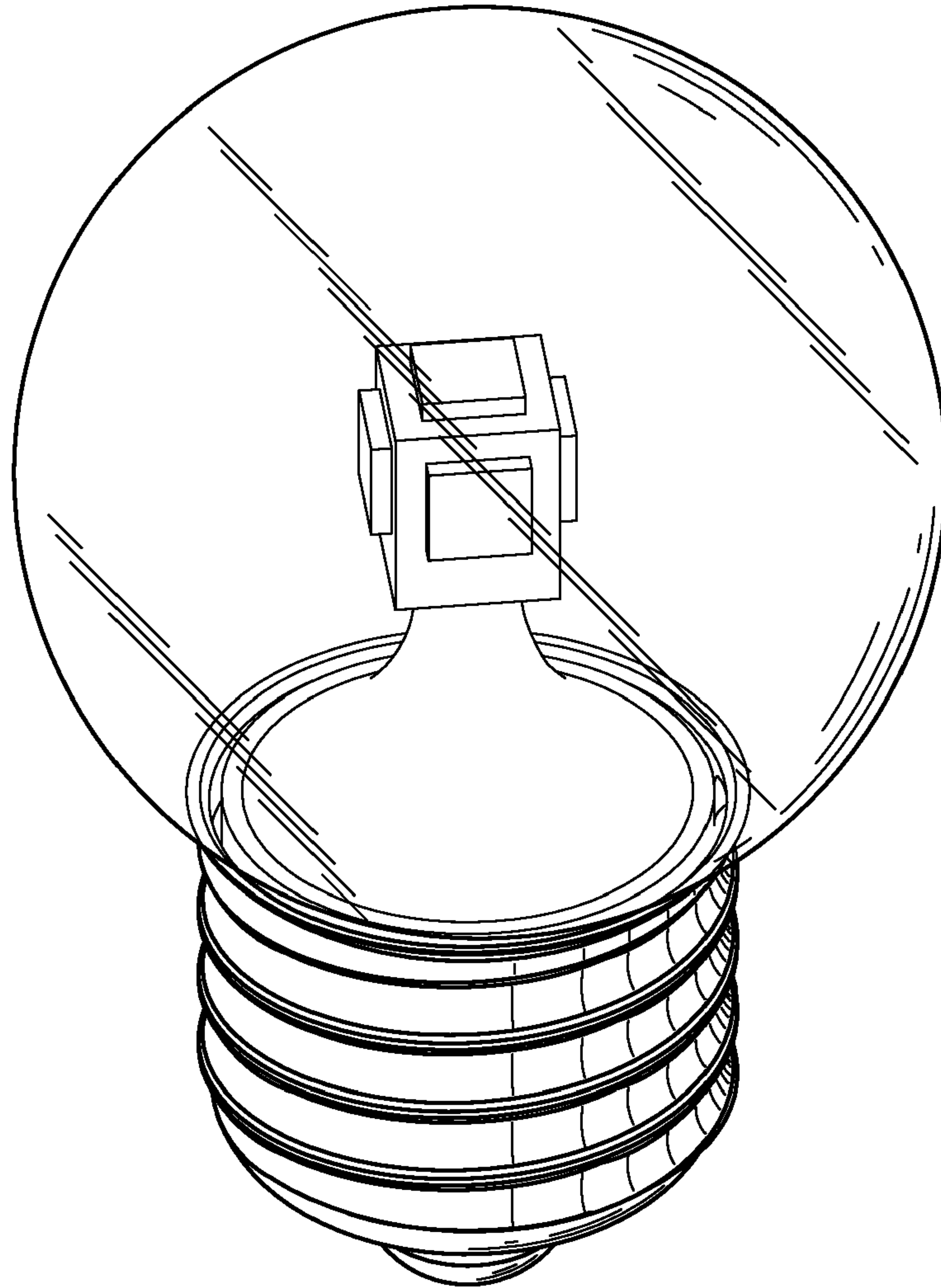


FIG. 7

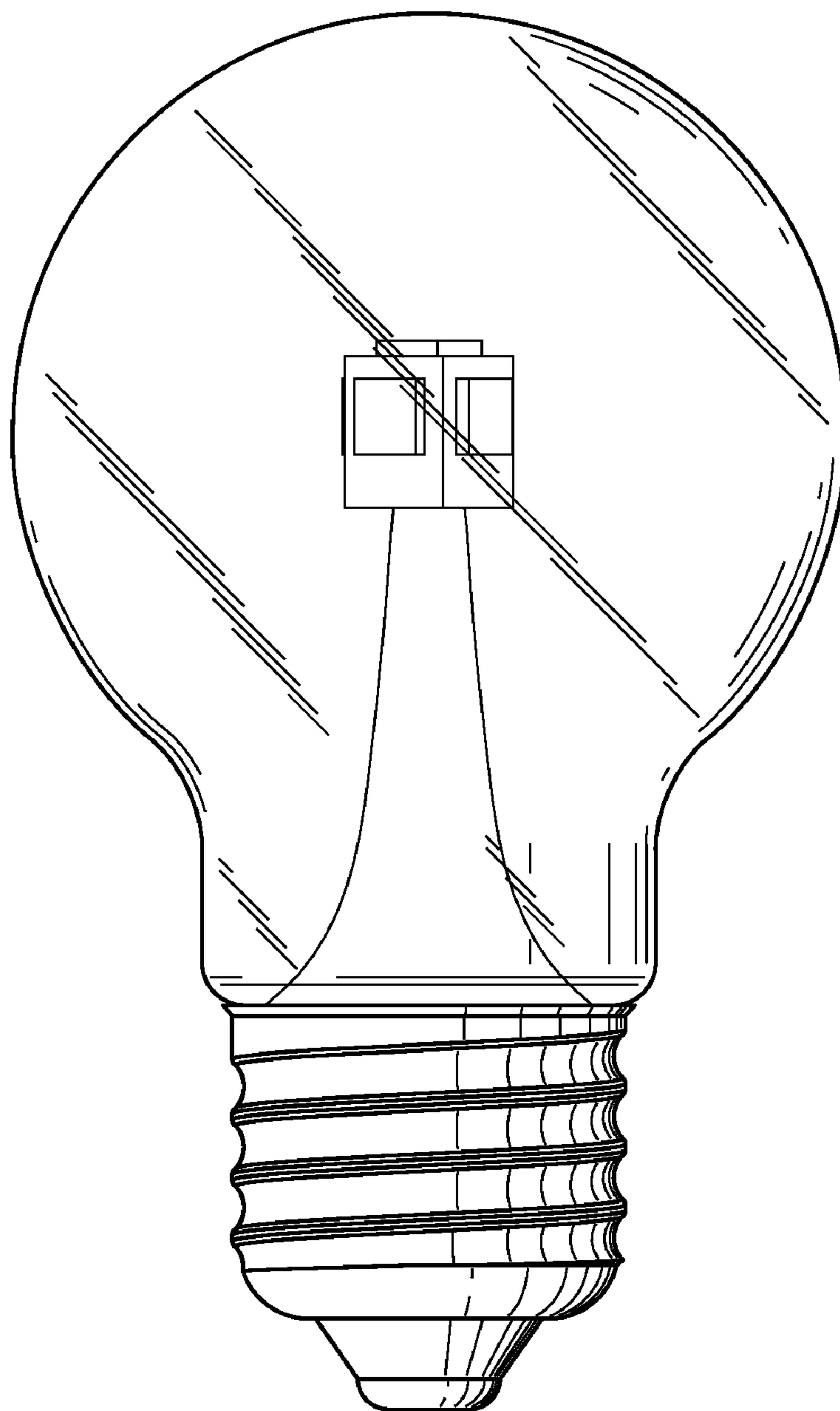


FIG. 8

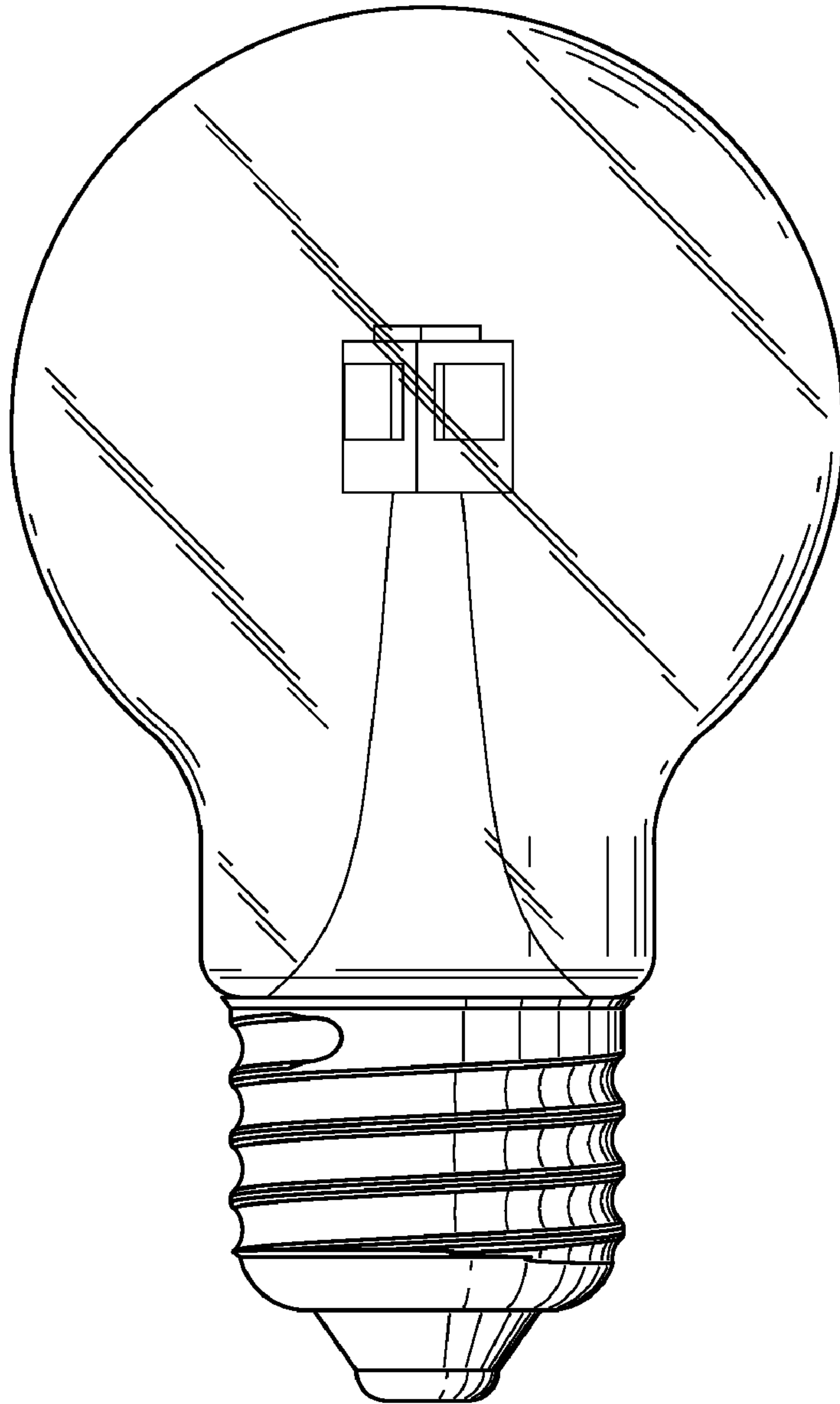


FIG. 9

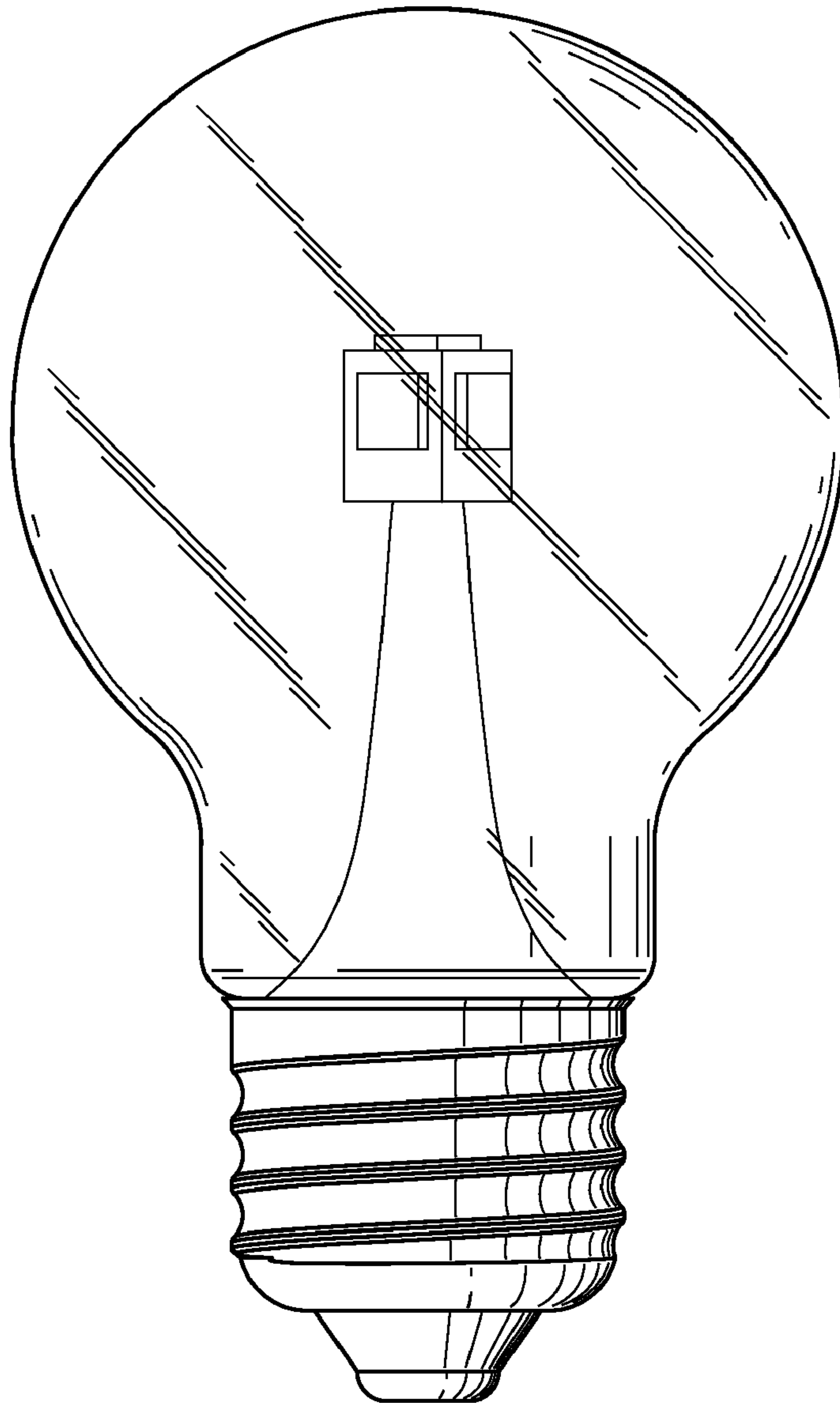


FIG. 10

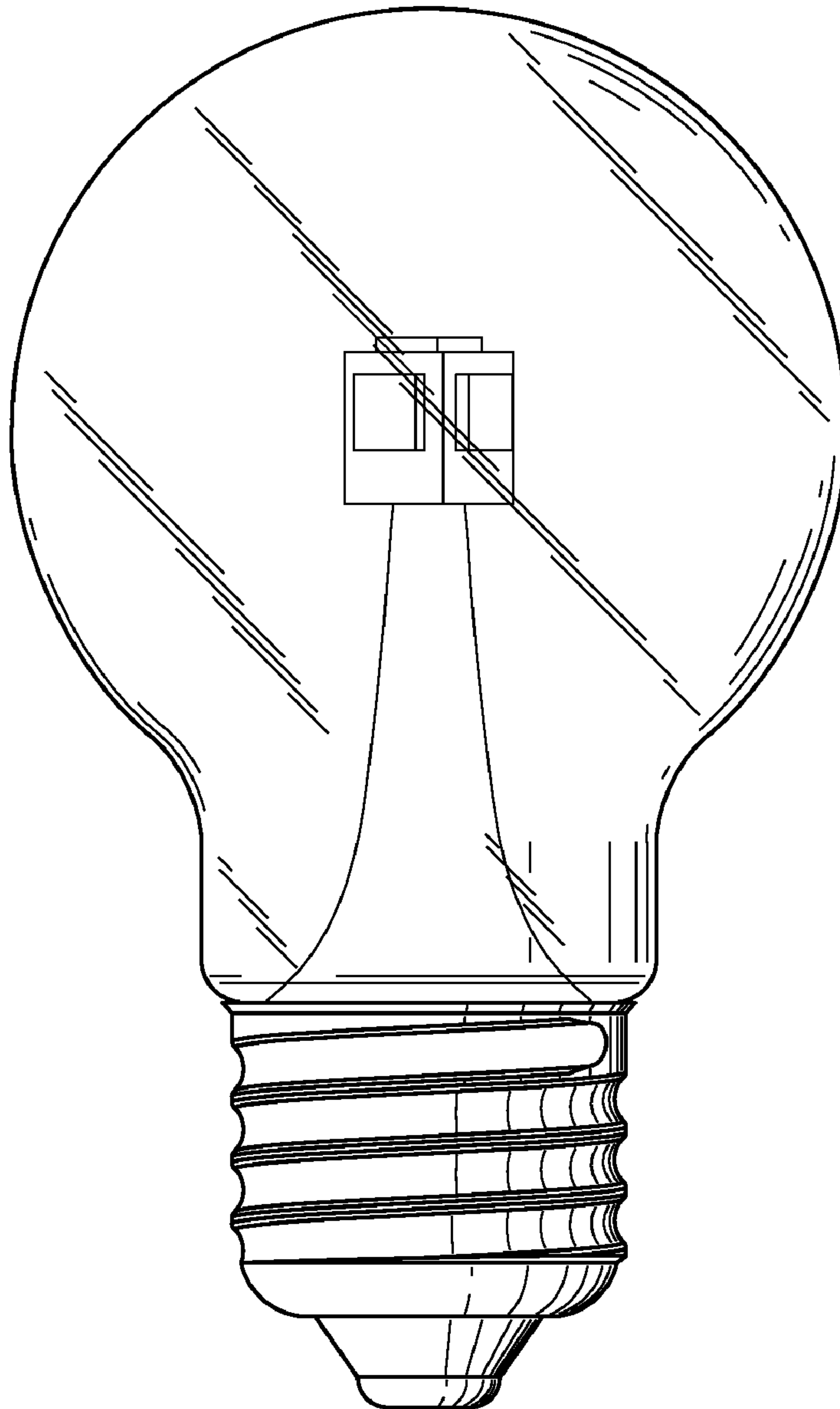


FIG. II

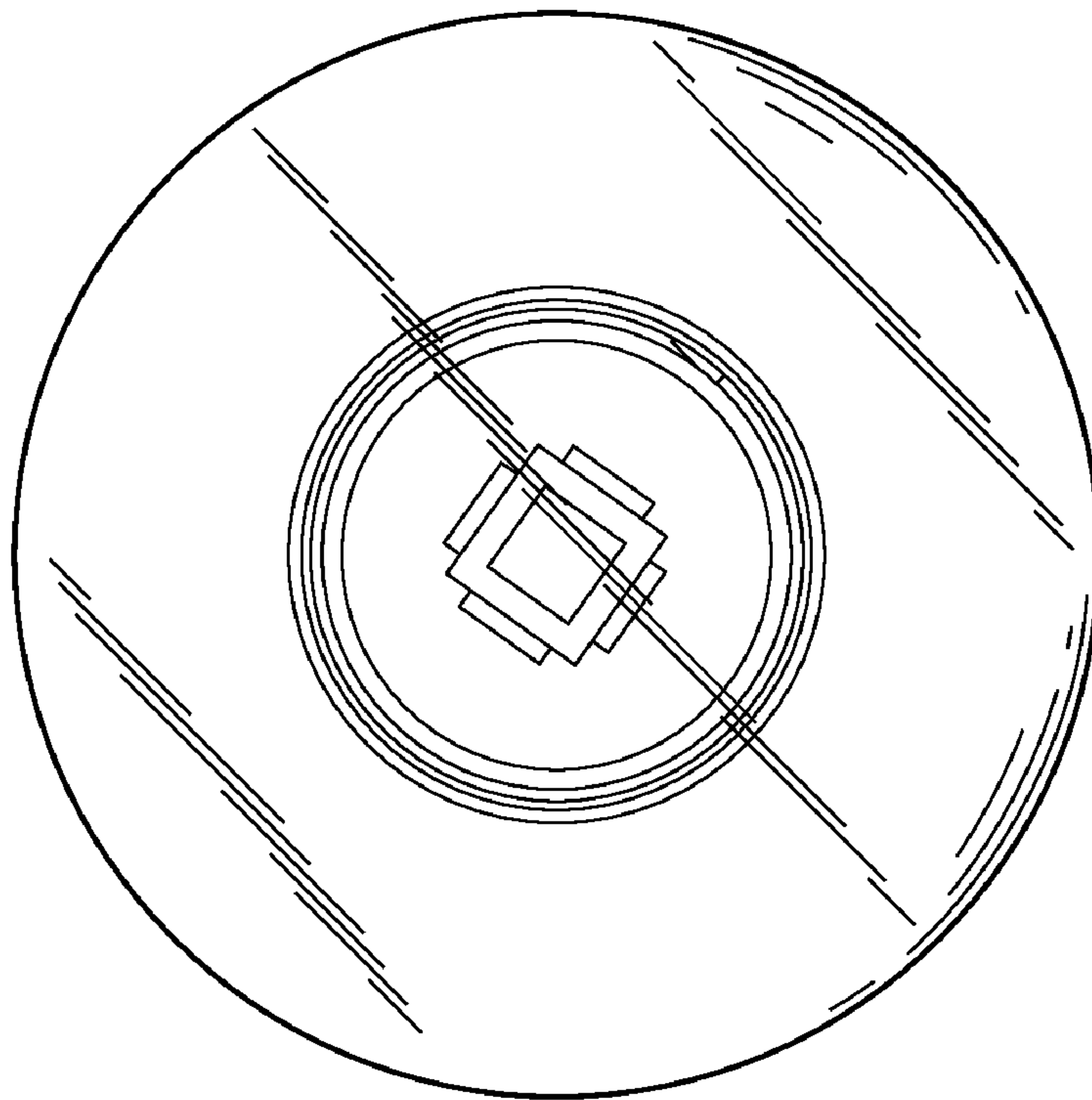


FIG.12

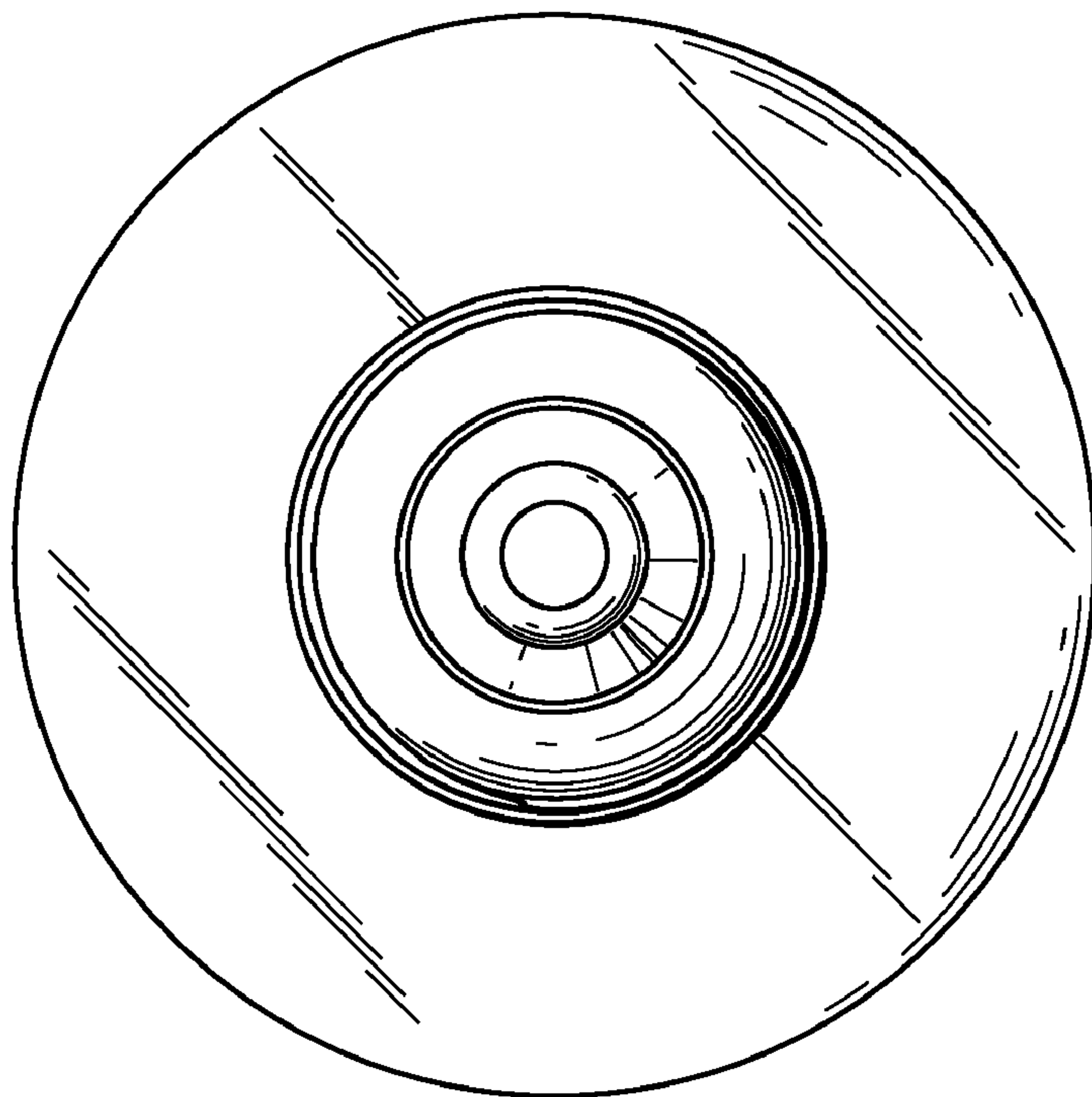


FIG. 13

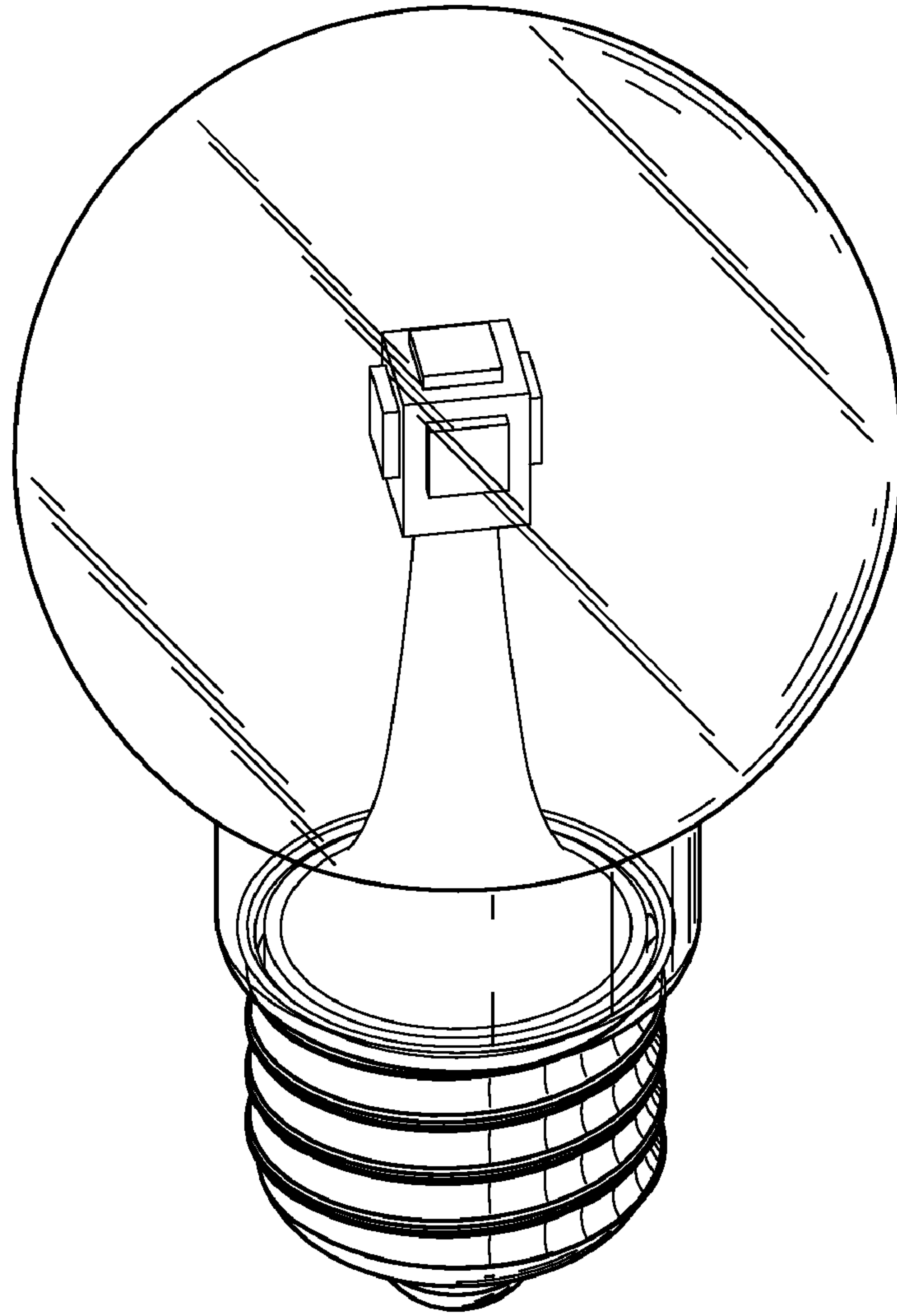


FIG. 14

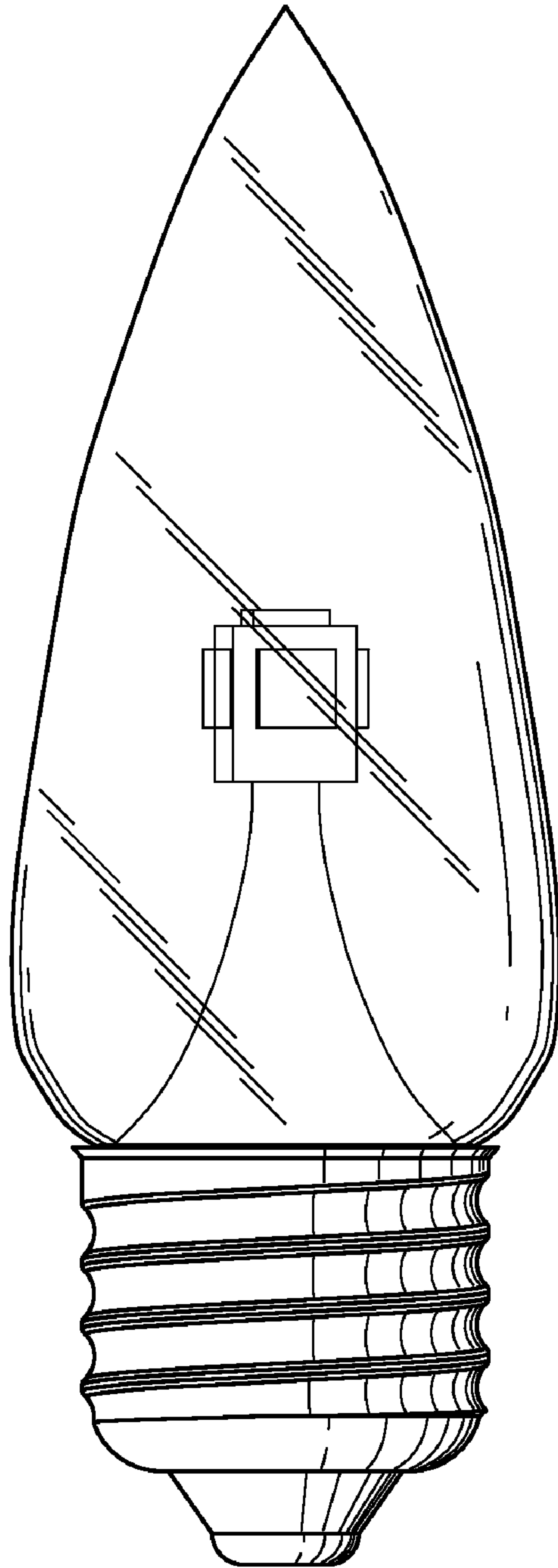


FIG. 15

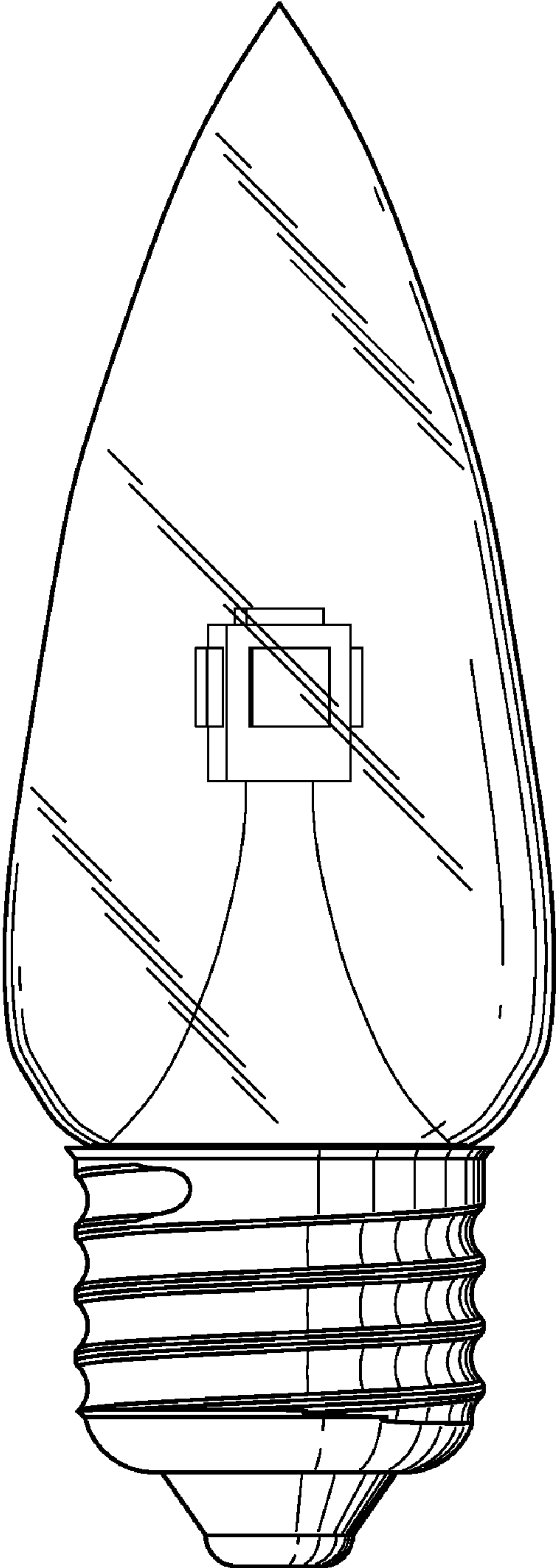


FIG. 16

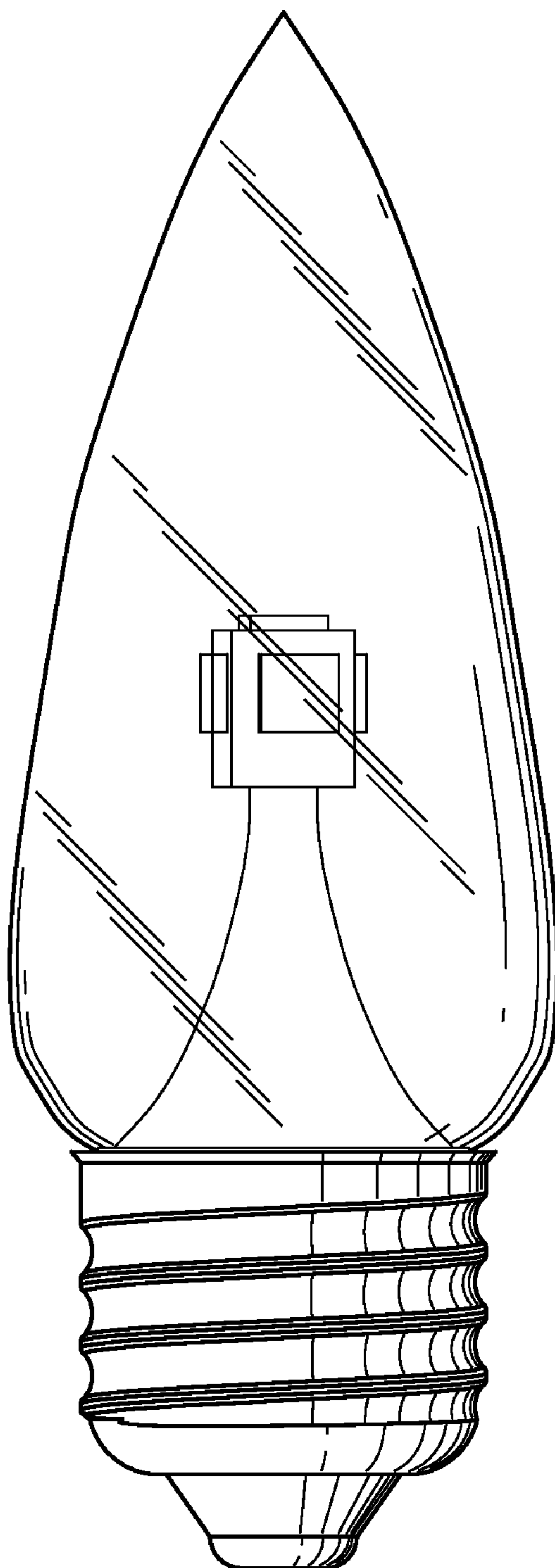


FIG. 17

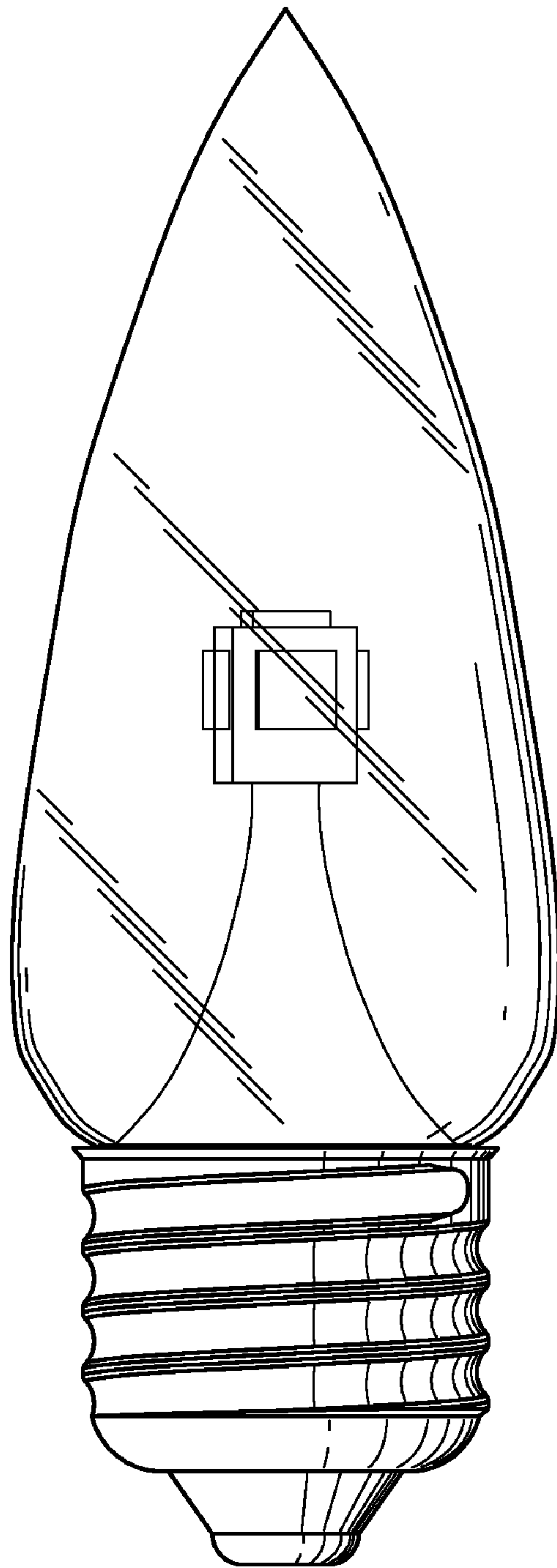


FIG. 18

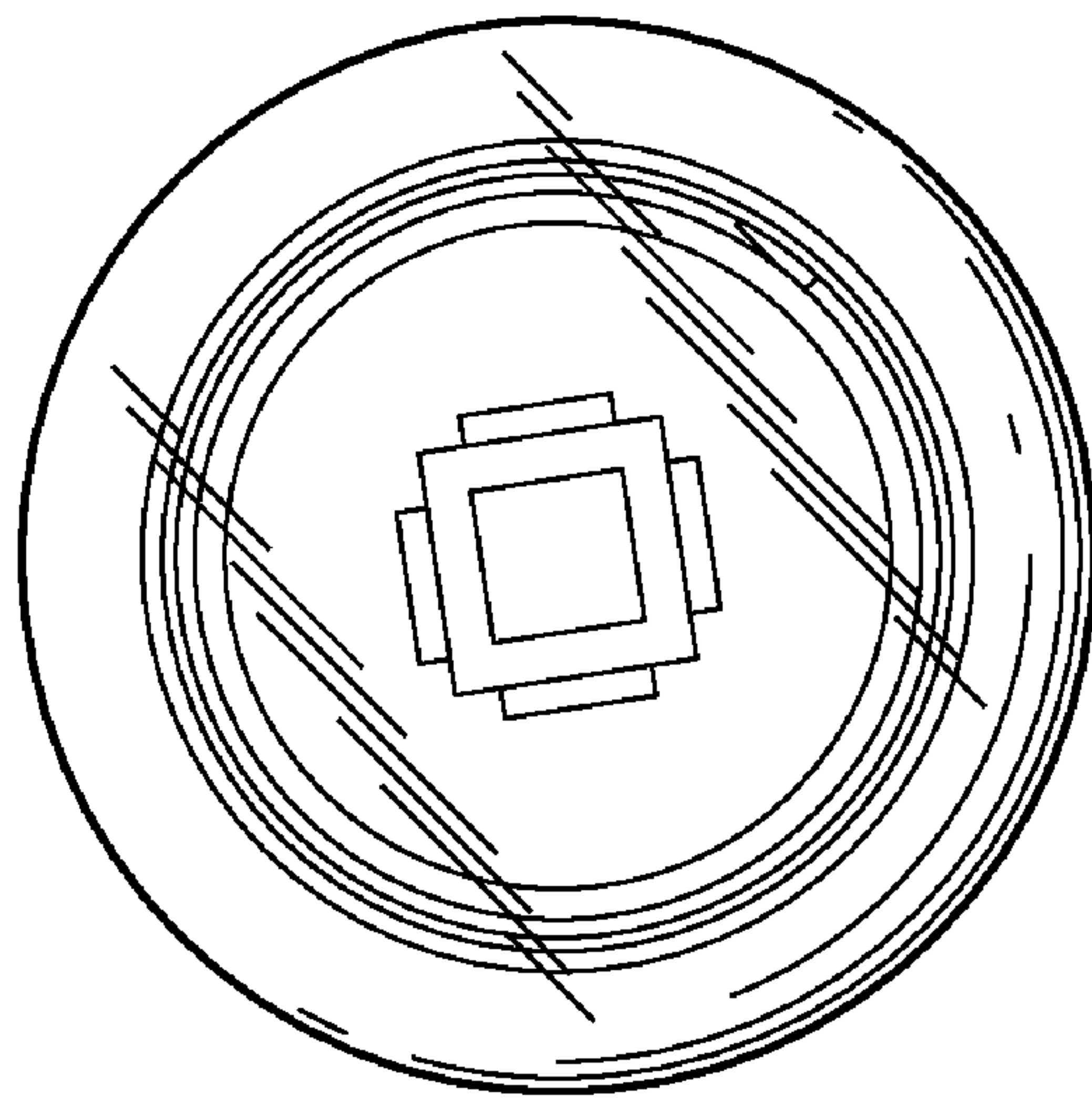


FIG. 19

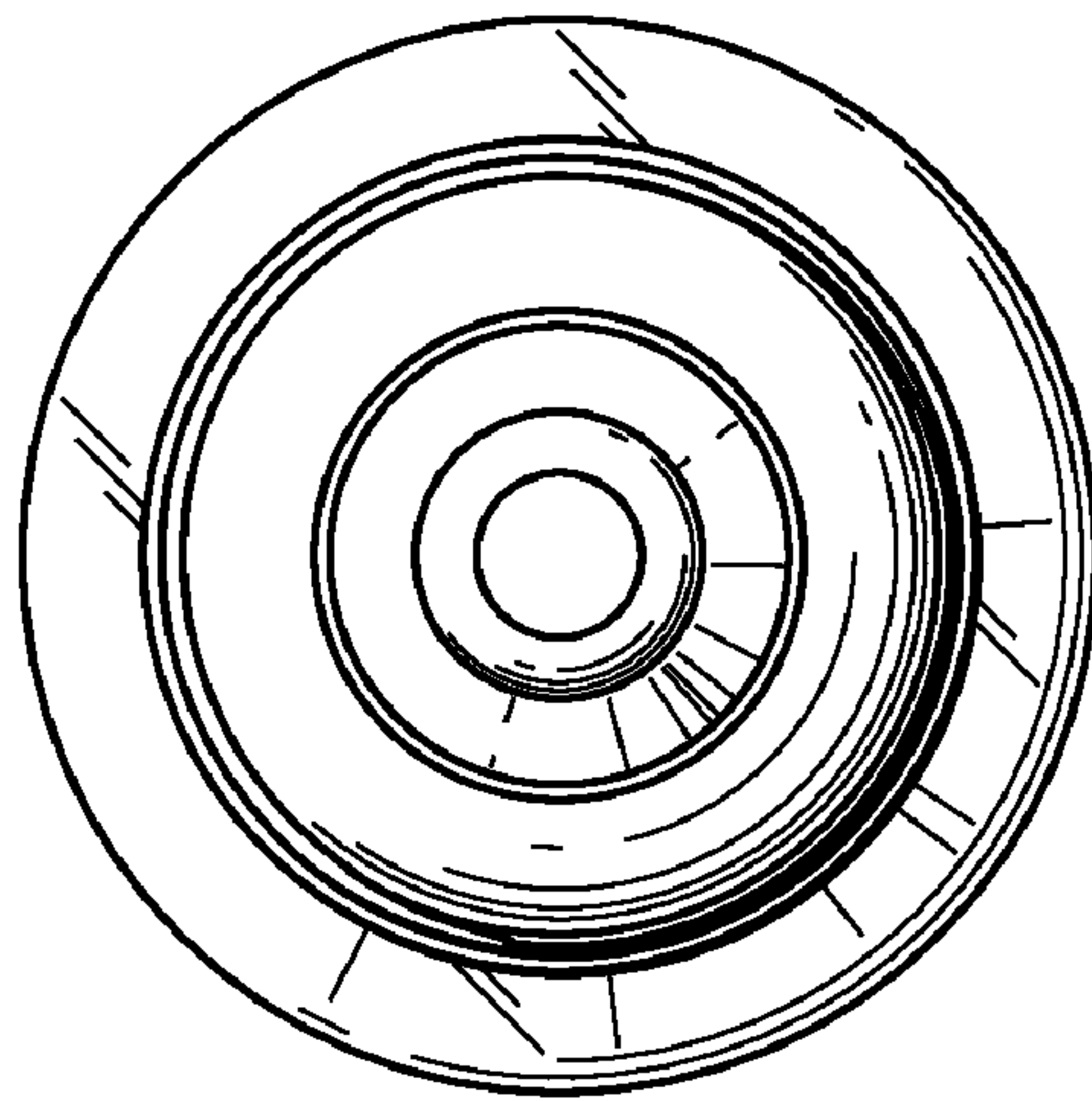


FIG. 20

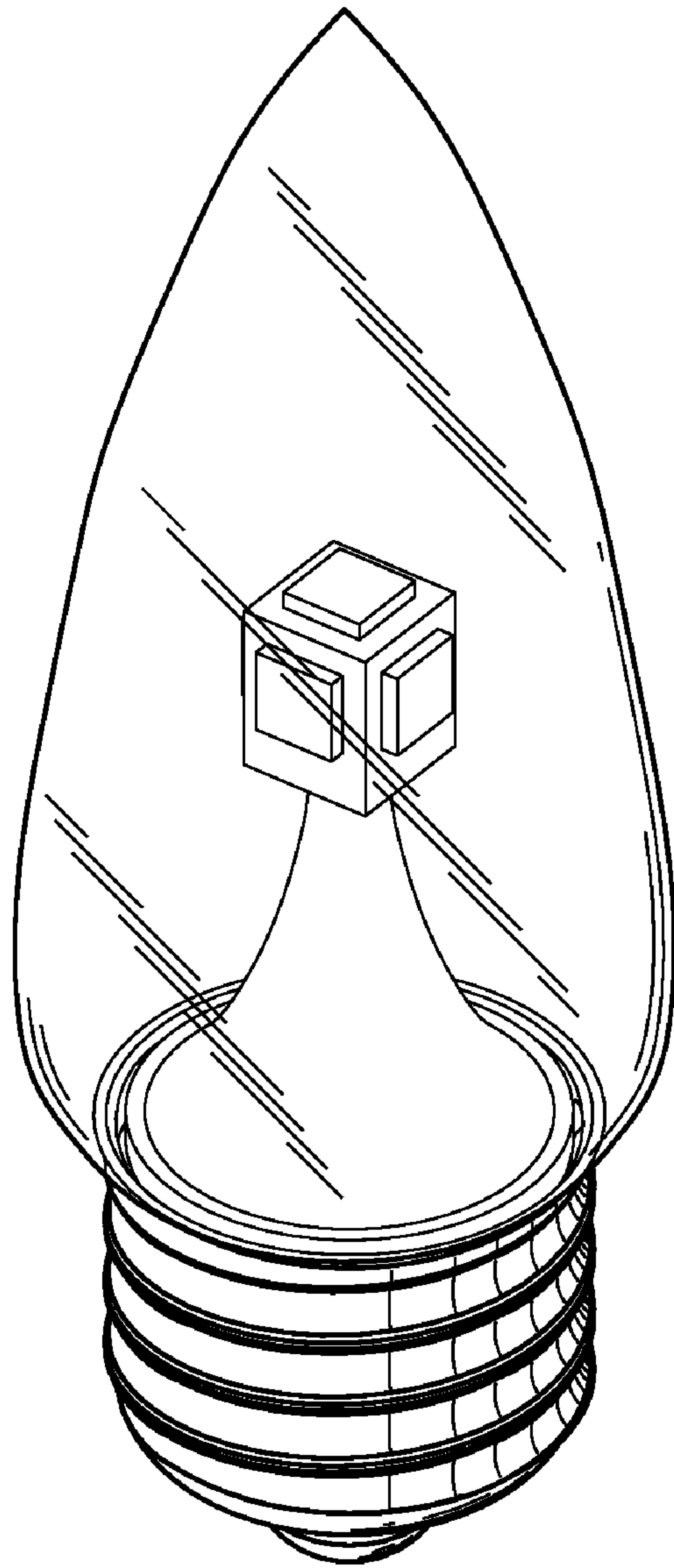


FIG. 21