



US00D650921S

(12) **United States Design Patent**  
**Hudson, Jr. et al.**

(10) **Patent No.:** **US D650,921 S**  
(45) **Date of Patent:** **\*\* Dec. 20, 2011**

(54) **TILE ROOF PANEL**

(75) Inventors: **Willard C. Hudson, Jr.**, Southlake, TX (US); **James F. Sauter**, Cleburne, TX (US); **Kevin B. Pelka**, Lake Elsinore, CA (US); **Geoffrey S. Allan**, Arlington, TX (US); **Peter B. Richards**, Auckland (NZ); **David R. Painter**, North Shore Auckland (NZ)

4,731,969	A	3/1988	Baker et al.	
D331,812	S	12/1992	Bunger	
6,088,983	A *	7/2000	Applebee	52/282.1
6,564,523	B1	5/2003	Iole et al.	
D478,179	S	8/2003	Fifield	
D595,431	S *	6/2009	Day	D25/140
7,845,141	B2	12/2010	Martinique	
2006/0059836	A1 *	3/2006	Monsieur	52/588.1
2009/0223550	A1	9/2009	Curtin et al.	

\* cited by examiner

(73) Assignee: **Decra Roofing Systems, Inc.**, Arlington, TX (US)

*Primary Examiner* — Doris Clark

(74) *Attorney, Agent, or Firm* — Baker & McKenzie LLP

(\*\*) Term: **14 Years**

(57) **CLAIM**

(21) Appl. No.: **29/397,300**

The ornamental design for a tile roof panel, as shown and described.

(22) Filed: **Jul. 14, 2011**

**DESCRIPTION**

**Related U.S. Application Data**

(62) Division of application No. 29/379,312, filed on Nov. 17, 2010, now Pat. No. Des. 644,342.

(51) **LOC (9) Cl.** ..... **25-01**

(52) **U.S. Cl.** ..... **D25/140; D25/139**

(58) **Field of Classification Search** ..... D25/140, D25/139; 52/519, 526, 518, 536, 539, 541, 52/544; 126/621, 622, 623

See application file for complete search history.

FIG. 1 is a perspective view of a tile roof panel in accordance with our design;  
FIG. 2 is another perspective view of the tile roof panel in accordance with our design;  
FIG. 3 is a top plan view of the tile roof panel in accordance with our design;  
FIG. 4 is a front elevation view of the tile roof panel in accordance with our design;  
FIG. 5 is a side elevation view of the tile roof panel in accordance with our design, the opposite side being a mirror image;  
FIG. 6 is a back elevation view of the tile roof panel in accordance with our design; and,  
FIG. 7 is a bottom plan view of the tile roof panel in accordance with our design.

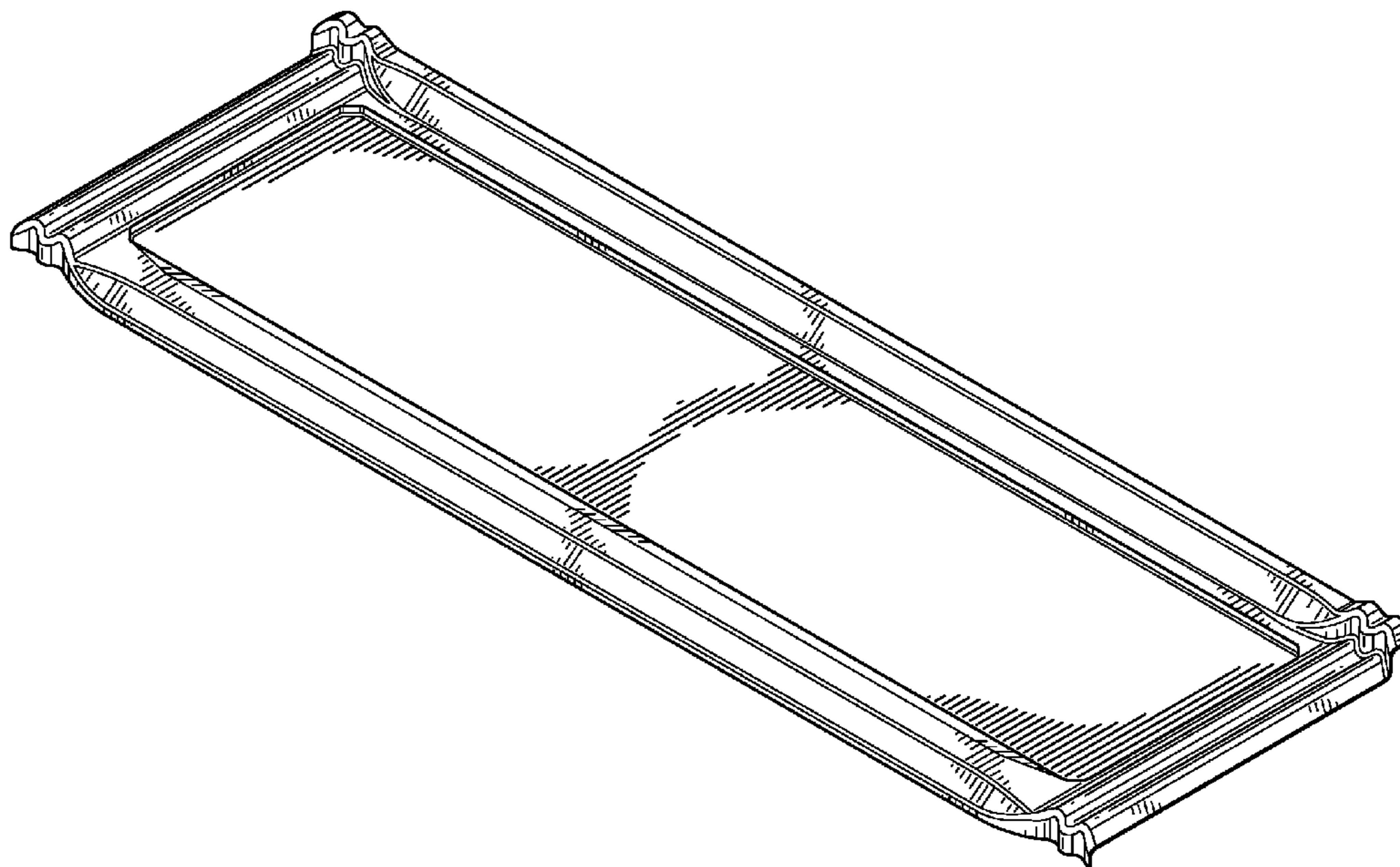
The broken lines showing environmental structure are for illustrative purposes and form no part of the claimed design.

(56) **References Cited**

**U.S. PATENT DOCUMENTS**

734,976	A	7/1903	Simmerman
3,114,218	A	12/1963	Macquere
4,204,520	A	5/1980	Rosenberg
4,244,355	A	1/1981	Stout
4,606,164	A	8/1986	Mendez

**1 Claim, 4 Drawing Sheets**



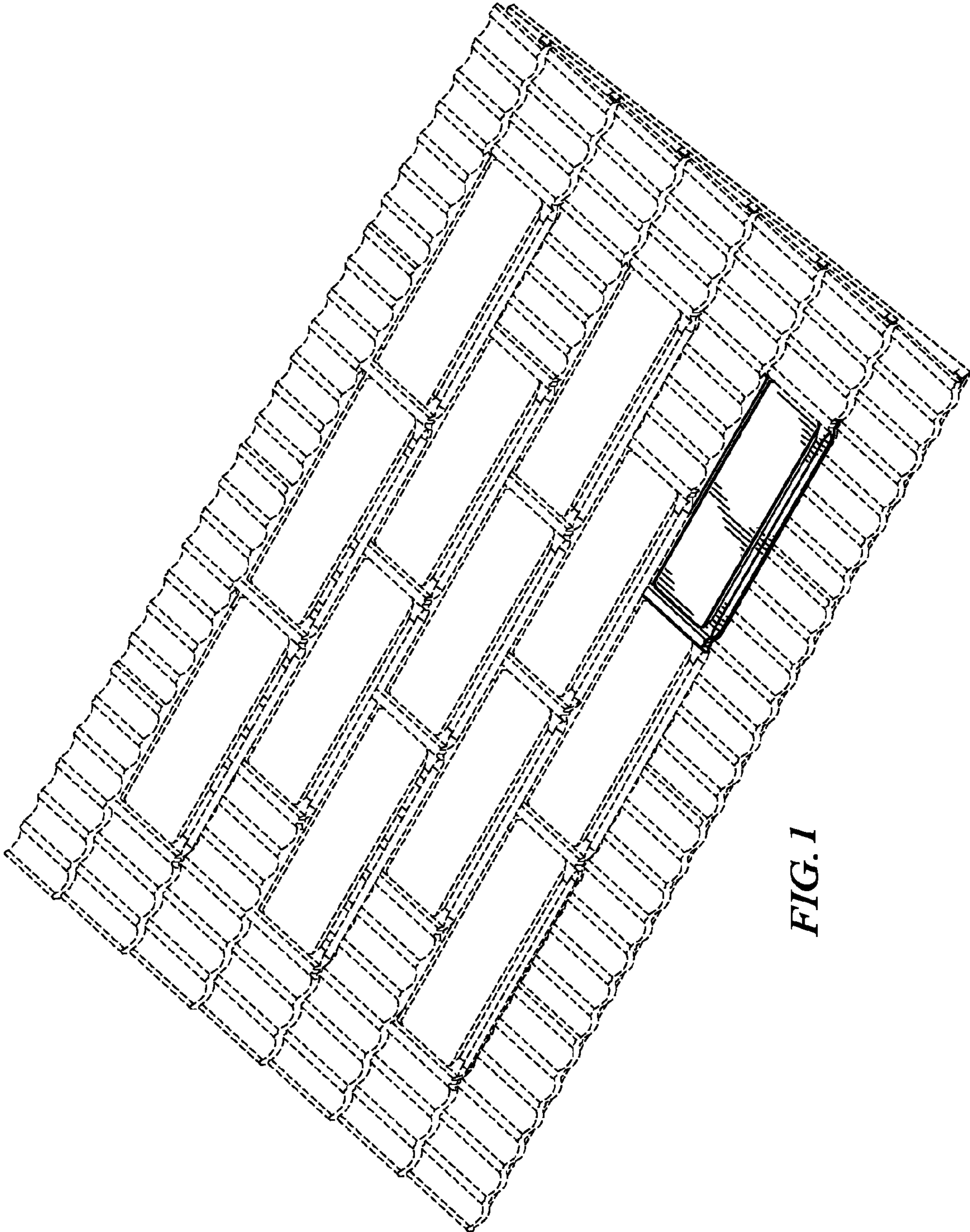


FIG. 1

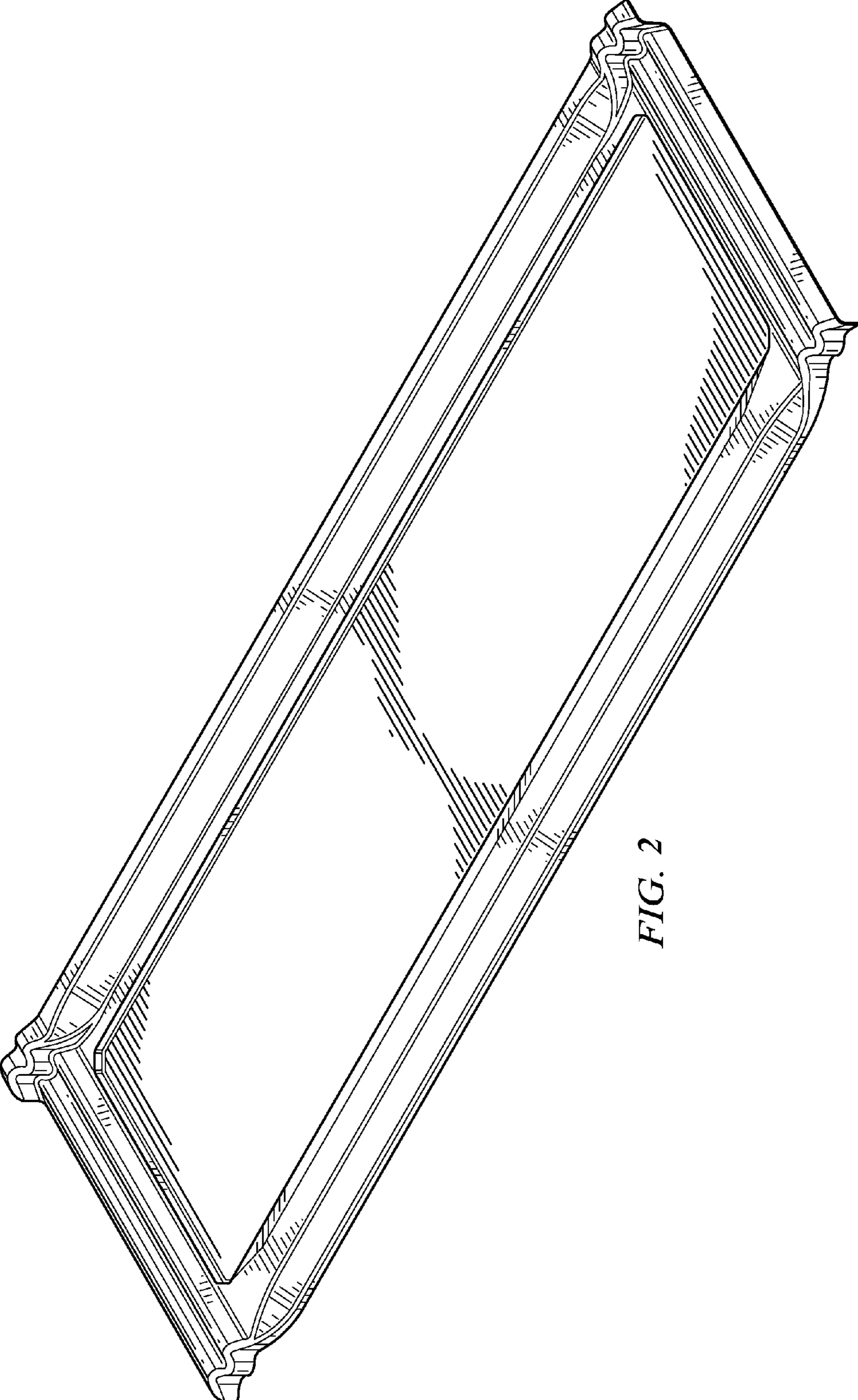


FIG. 2

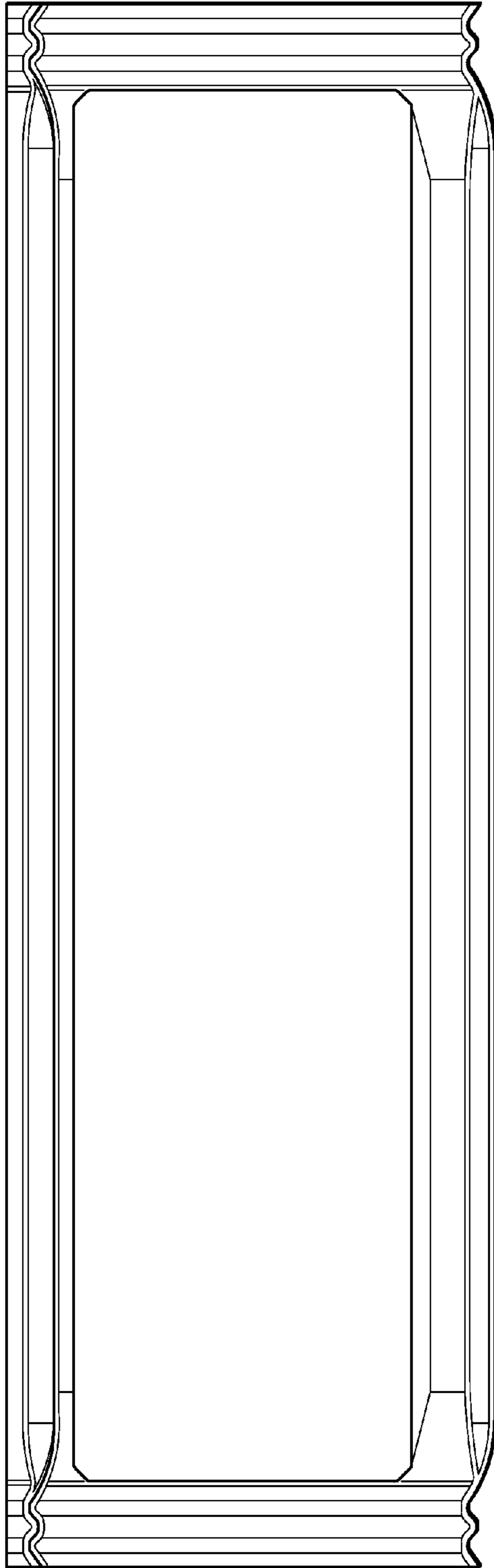


FIG. 3

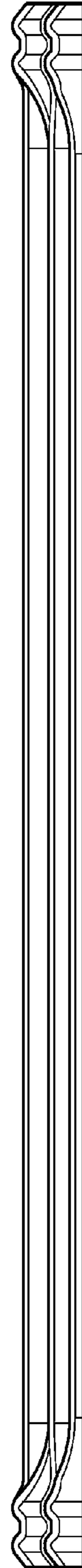


FIG. 4

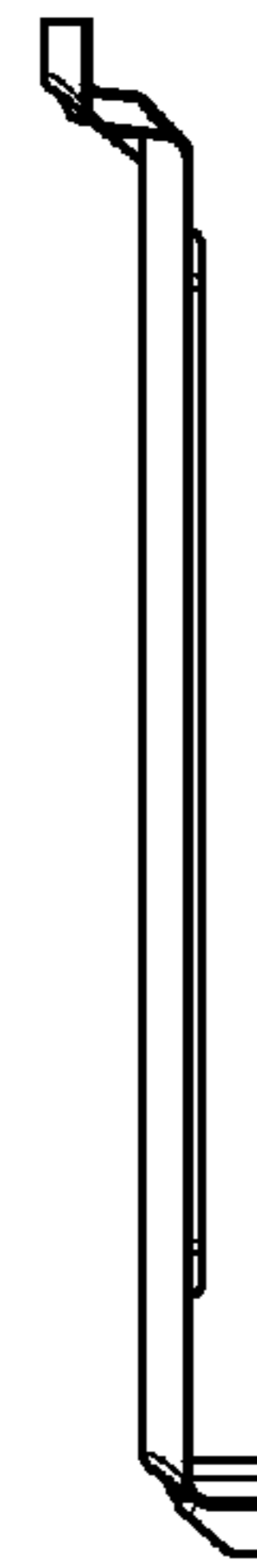
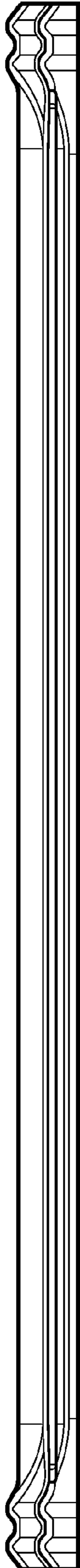
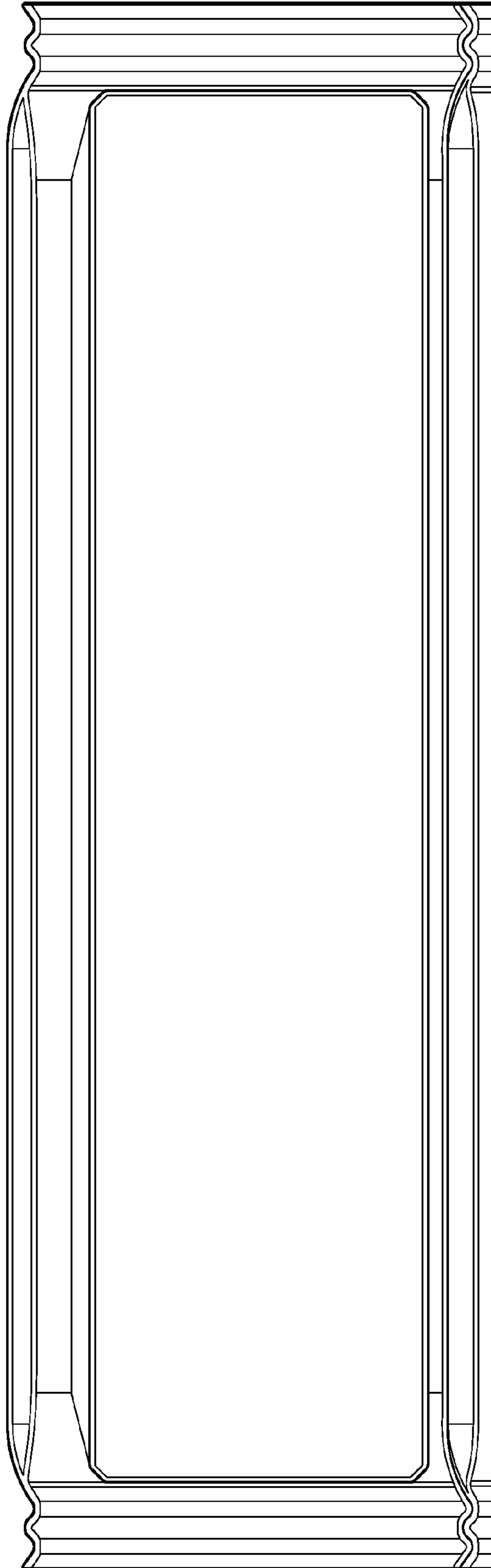


FIG. 5



*FIG. 6*



*FIG. 7*