



US00D650918S

(12) **United States Design Patent**
Hammer

(10) **Patent No.:** **US D650,918 S**

(45) **Date of Patent:** **** Dec. 20, 2011**

(54) **RETAINING BLOCK**

(75) Inventor: **James E. Hammer**, University Place,
WA (US)

(73) Assignee: **Westblock Systems, Inc.**, Salem, OR
(US)

(**) Term: **14 Years**

(21) Appl. No.: **29/375,644**

(22) Filed: **Sep. 24, 2010**

(51) **LOC (9) Cl.** **25-01**

(52) **U.S. Cl.** **D25/113**

(58) **Field of Classification Search** D25/102-118,
D25/136, 138, 140, 151, 152, 153, 156-162,
D25/164; D21/484-491, 499-504; 405/16,
405/284, 286; 52/503-505, 574, 575, 596-612;
404/27-42

See application file for complete search history.

(56) **References Cited**

U.S. PATENT DOCUMENTS

5,951,210	A *	9/1999	Maguire et al.	405/286
D468,450	S	1/2003	Hammer	
D475,143	S	5/2003	Hammer	
6,615,561	B2 *	9/2003	MacDonald et al.	52/606
6,821,058	B1 *	11/2004	Dawson	405/284
D530,832	S *	10/2006	Rainey	D25/114
7,503,729	B2 *	3/2009	Hammer et al.	405/286
D602,171	S *	10/2009	Rodebaugh et al.	D25/113
D610,712	S	2/2010	Hammer	
D610,713	S	2/2010	Hammer	
D611,165	S	3/2010	Hammer	

D611,166	S	3/2010	Hammer	
D611,167	S	3/2010	Hammer	
D611,168	S	3/2010	Hammer	
D615,668	S	5/2010	Hammer	
7,963,727	B1 *	6/2011	Wauhop	405/286

OTHER PUBLICATIONS

Drawing of GravityStone® Fat Face Block, Westblock Systems, Inc.,
sold prior to Sep. 24, 2009.

* cited by examiner

Primary Examiner — Anhdao Doan

(74) *Attorney, Agent, or Firm* — Klarquist Sparkman, LLP

(57) **CLAIM**

I claim the ornamental design for a retaining block, as shown
and described.

DESCRIPTION

FIG. 1 is a perspective view of a retaining block according to
my new design, as viewed from the front, top, and one side of
the block.

FIG. 2 is a front view of the retaining block of FIG. 1.

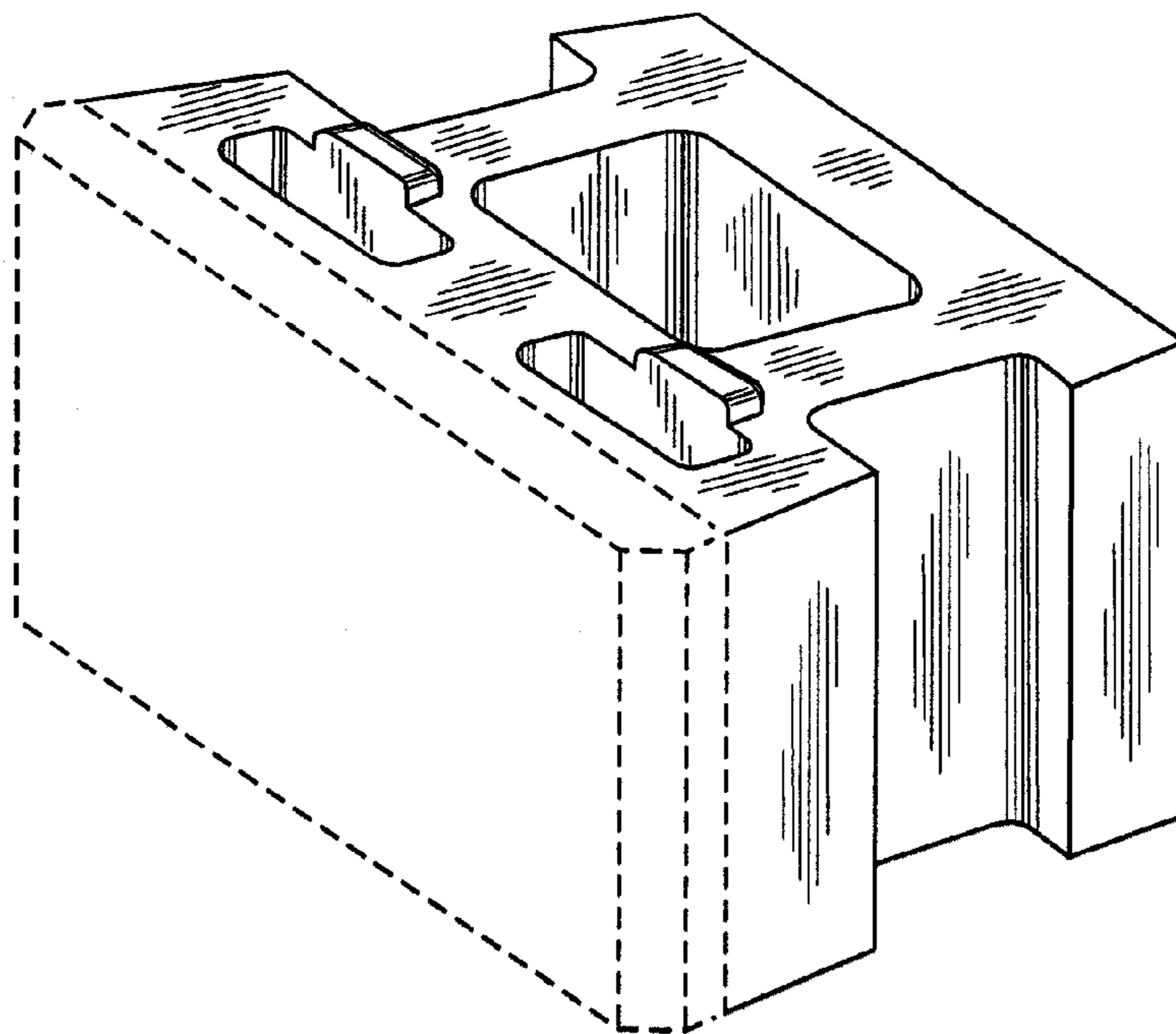
FIG. 3 is a side view of the retaining block of FIG. 1, the
opposite side being a mirror image thereof.

FIG. 4 is rear view of the retaining block of FIG. 1.

FIG. 5 is a top plan view of the retaining block of FIG. 1; and,
FIG. 6 is a bottom plan view of the retaining block of FIG. 1.

The broken lines in the drawings that are immediately adja-
cent to the shaded areas represent an unclaimed boundary of
the claimed design. The broken lines showing the remainder
of the retaining block are for illustrative purposes only and
form no part of the claimed design.

1 Claim, 2 Drawing Sheets



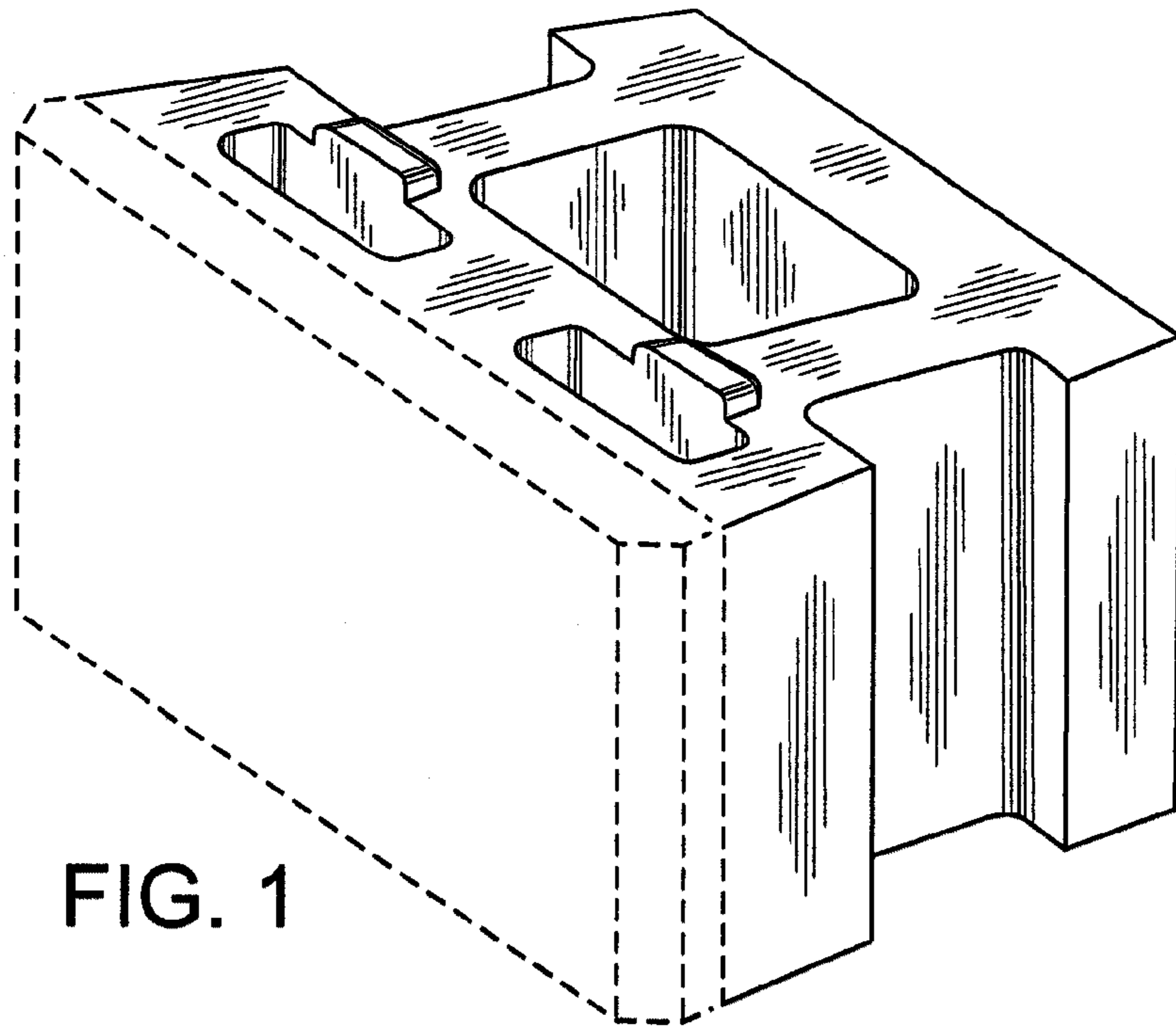


FIG. 1

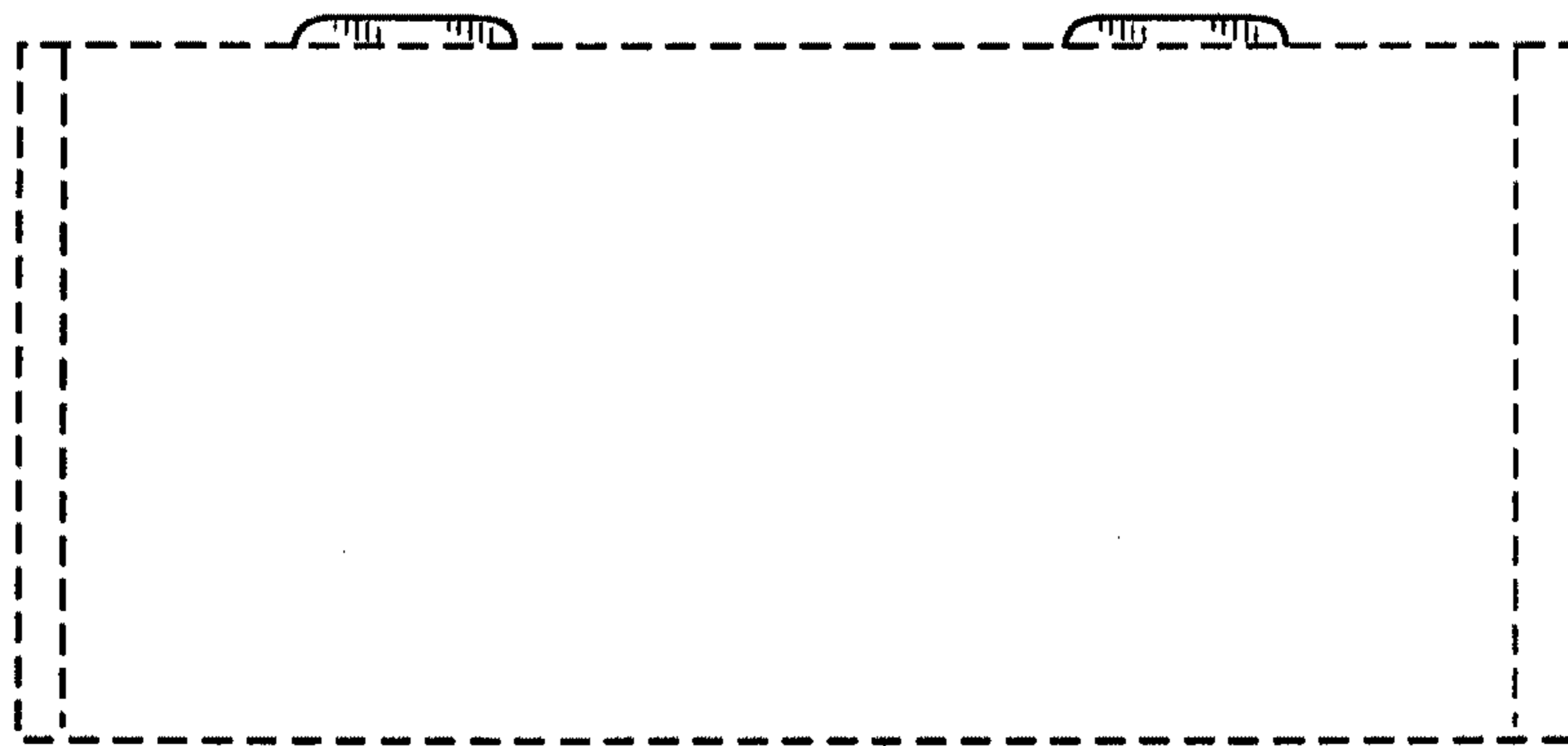


FIG. 2

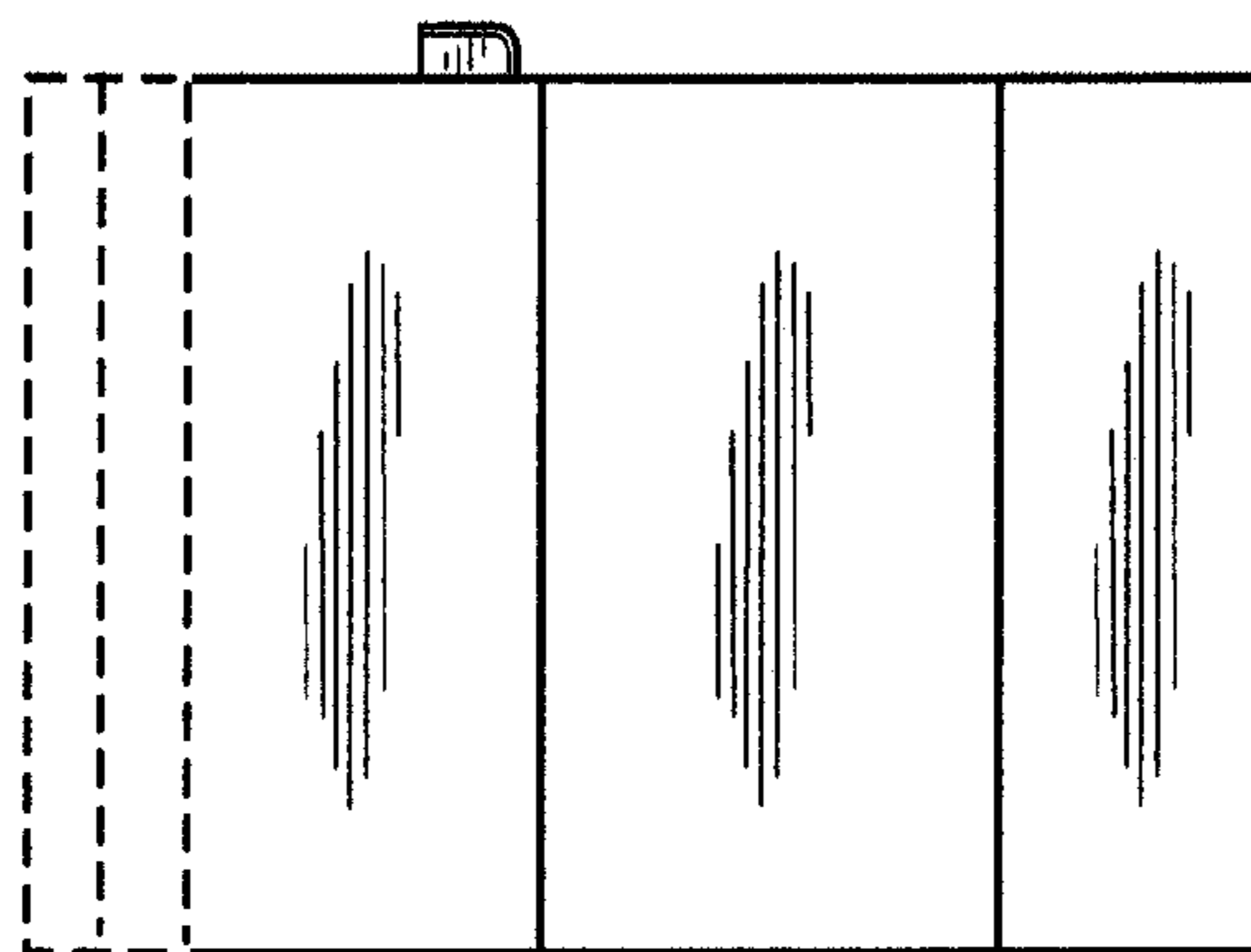


FIG. 3

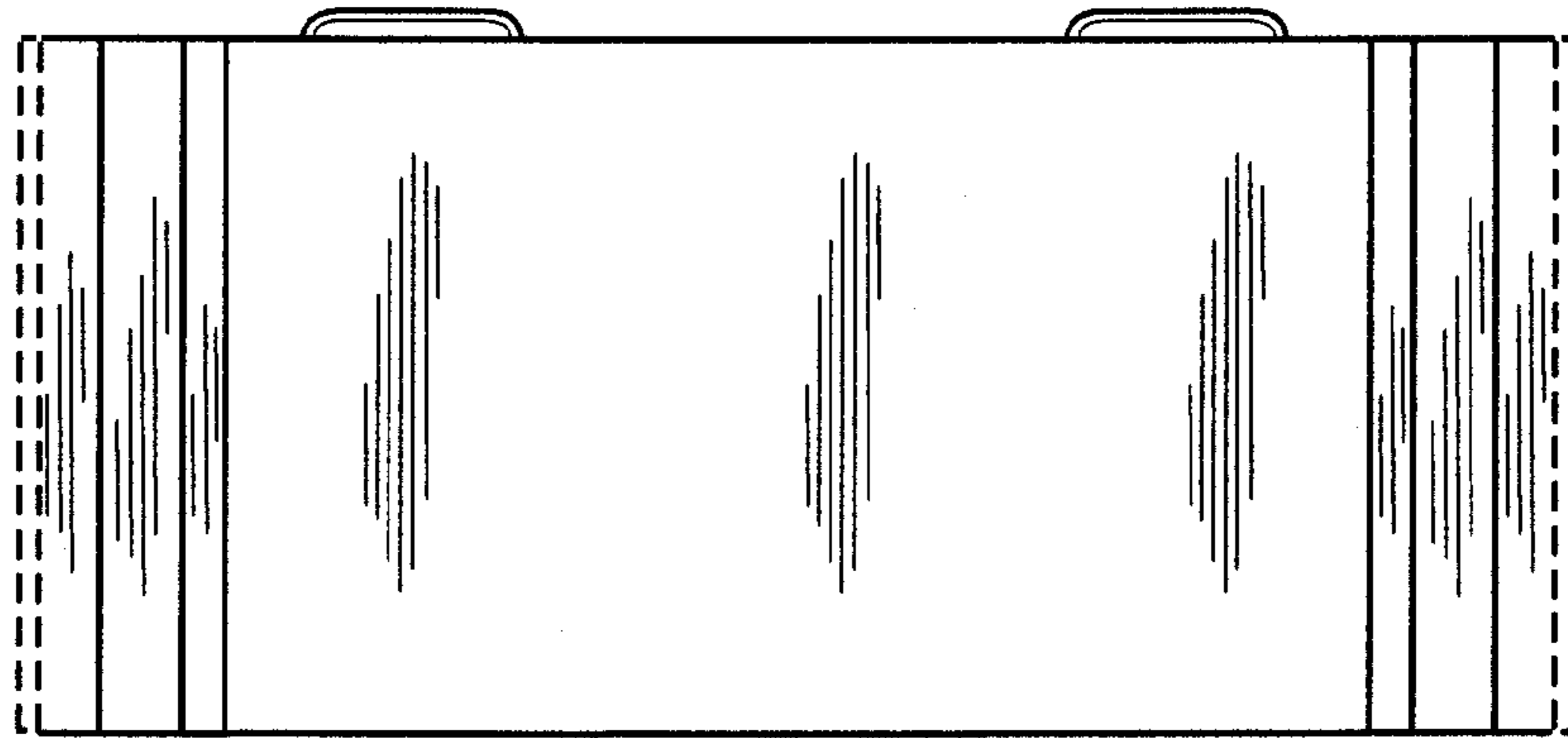


FIG. 4

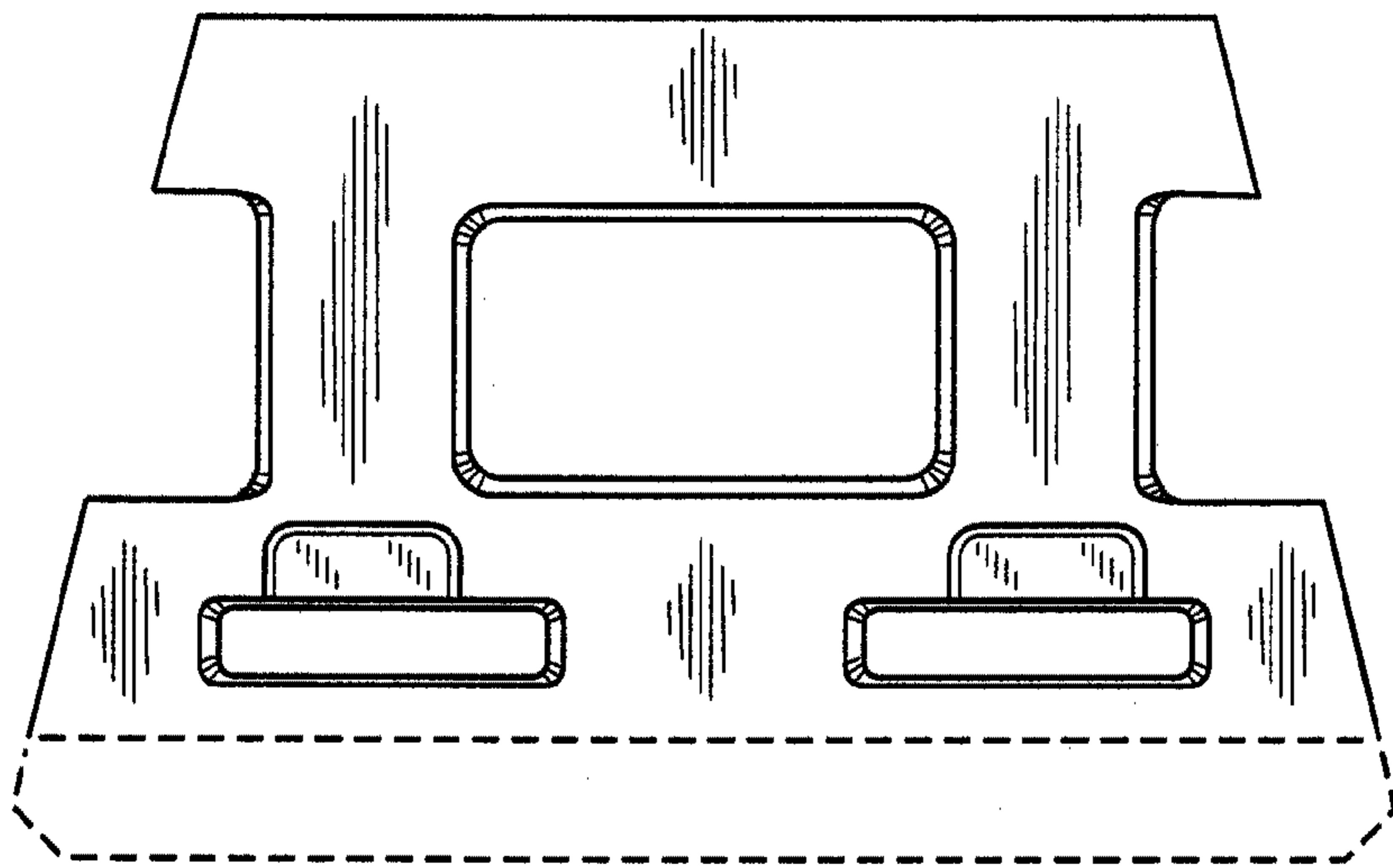


FIG. 5

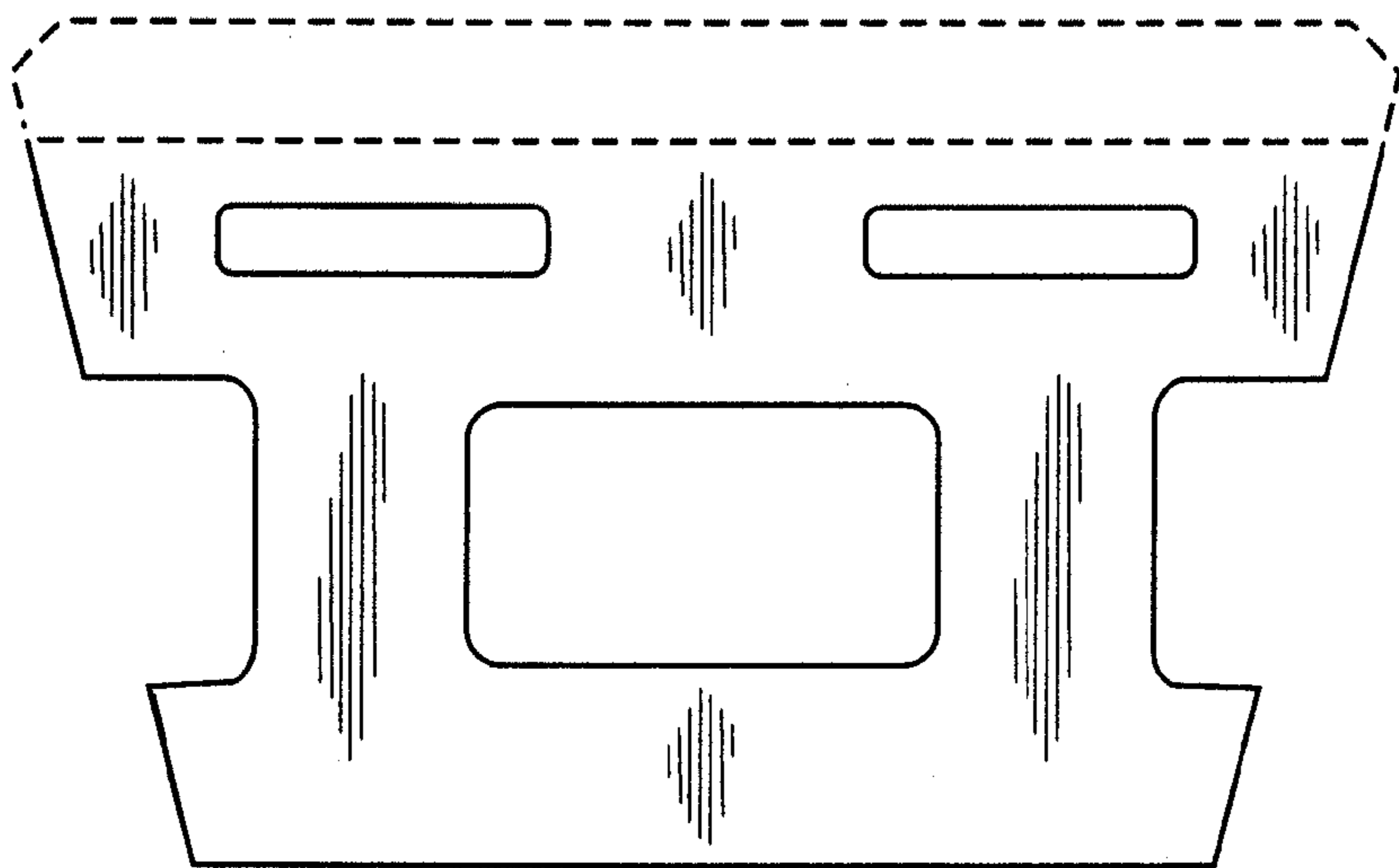


FIG. 6