



US00D650915S

(12) **United States Design Patent**
Gross et al.

(10) **Patent No.:** **US D650,915 S**

(45) **Date of Patent:** **** Dec. 20, 2011**

(54) **BRACE FOR A STEP OF A STEPLADDER**

Primary Examiner — Doris Clark

(75) Inventors: **Spencer Gross**, Louisville, KY (US);
Abraham Gómez López, Nuevo León (MX)

(74) *Attorney, Agent, or Firm* — Egbert Law Offices PLLC

(73) Assignee: **Louisville Ladder Inc.**, Louisville, KY (US)

(57) **CLAIM**

The ornamental design for the brace for a step of a stepladder, as shown and described.

(**) Term: **14 Years**

(21) Appl. No.: **29/377,363**

DESCRIPTION

(22) Filed: **Oct. 20, 2010**

(51) **LOC (9) Cl.** **25-04**

(52) **U.S. Cl.** **D25/68**

(58) **Field of Classification Search** D25/68;
182/217, 220, 219; 248/210, 238, 200.1
See application file for complete search history.

FIG. 1 is a rear perspective view of the brace for a step of a stepladder showing our design;
FIG. 2 is a front elevation view thereof;
FIG. 3 is a rear elevation view thereof;
FIG. 4 is a side elevation view thereof;
FIG. 5 is an opposite side elevation view thereof;
FIG. 6 is a top plan view thereof;
FIG. 7 is a bottom plan view thereof; and,
FIG. 8 is a front elevation view showing the brace for a step of a stepladder affixed to a stepladder.

(56) **References Cited**

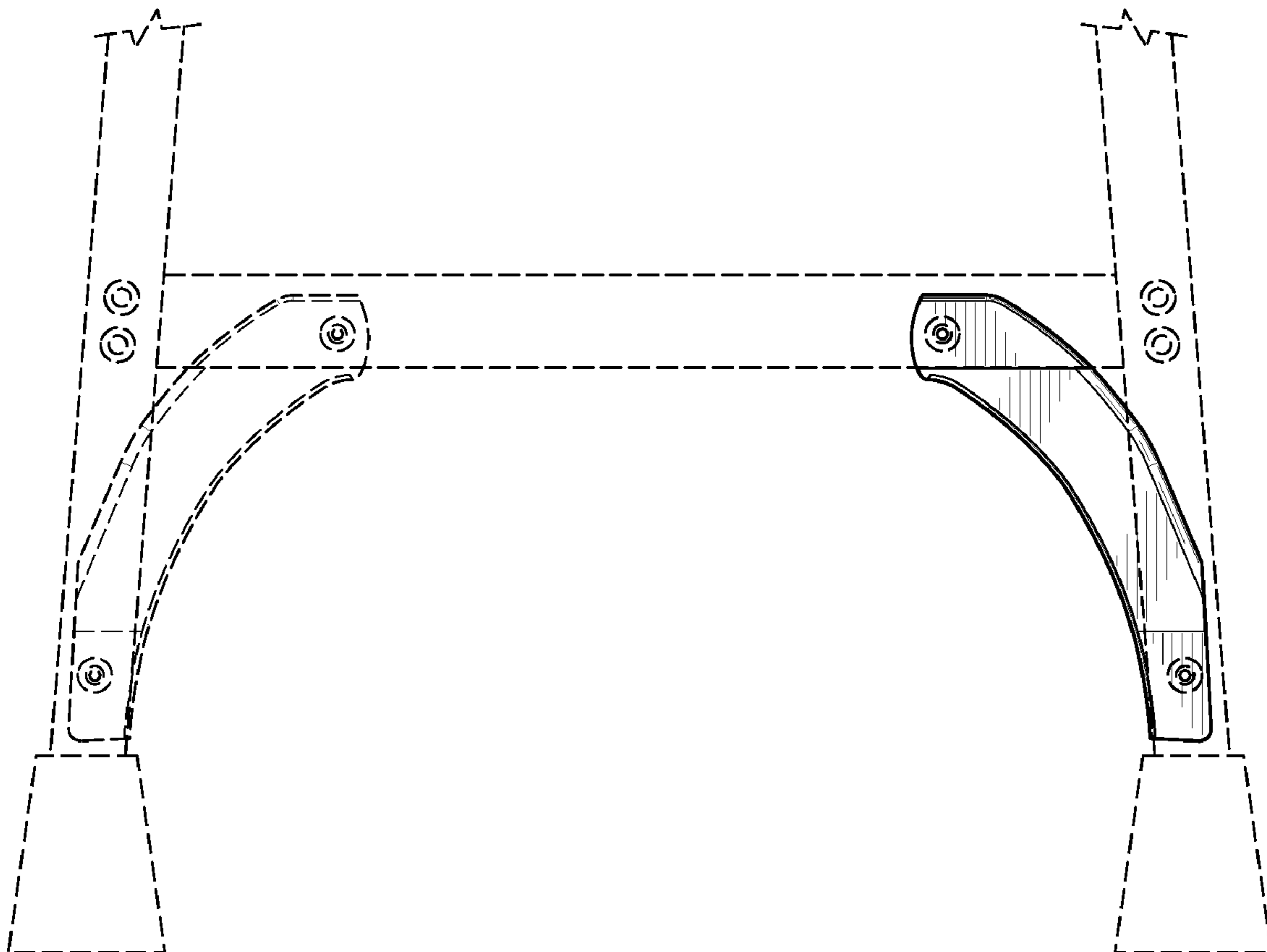
U.S. PATENT DOCUMENTS

4,949,811	A *	8/1990	Bailey	182/220
D356,166	S *	3/1995	Spiller	D25/68
2005/0173194	A1 *	8/2005	Pate et al.	182/217
2006/0151245	A1 *	7/2006	Patton	182/217

The brace for a step of a stepladder is an attachment for a ladder. The broken lines are for environmental purposes only and form no part of the claimed design.

* cited by examiner

1 Claim, 2 Drawing Sheets



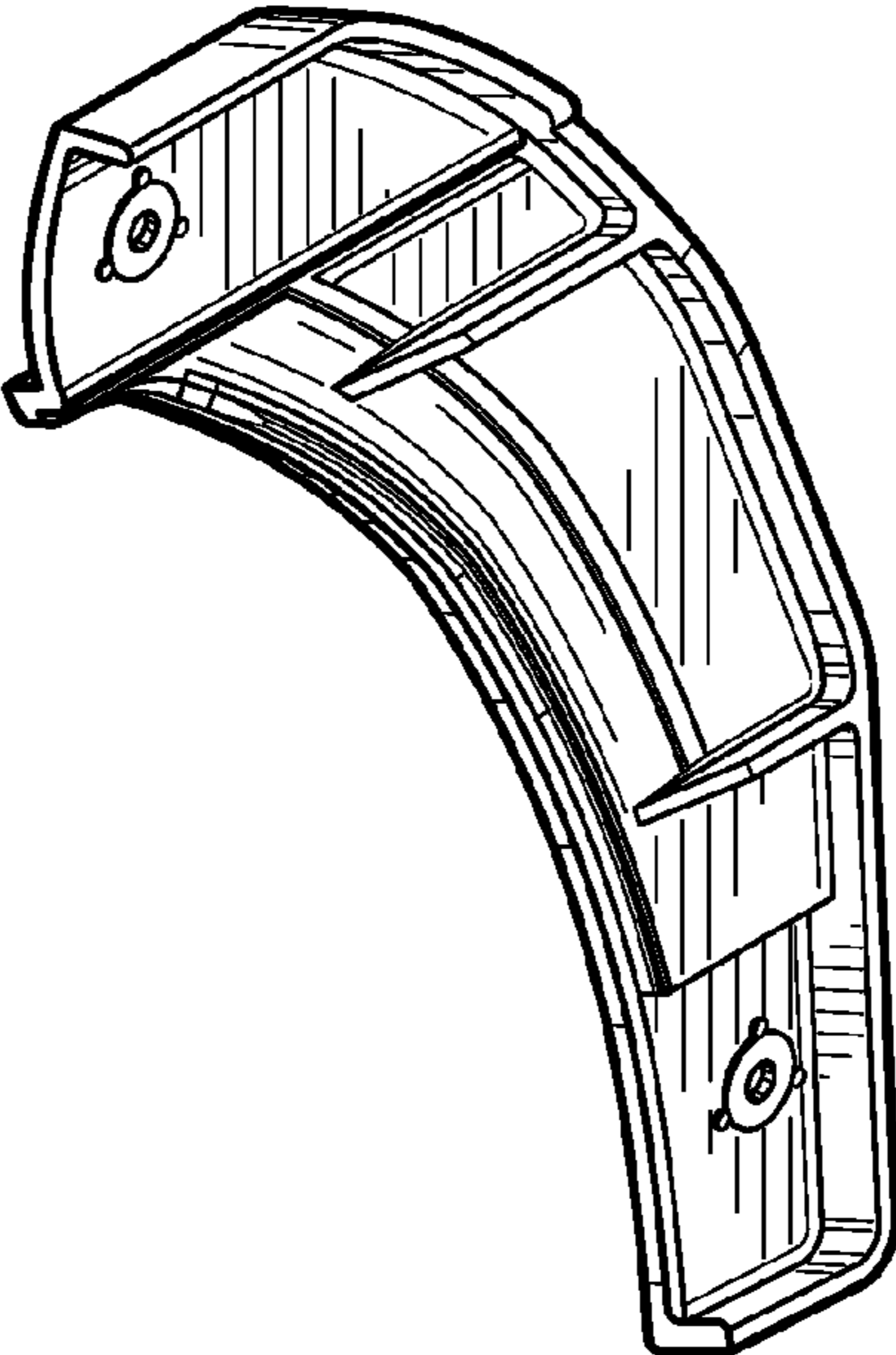


FIG. 1

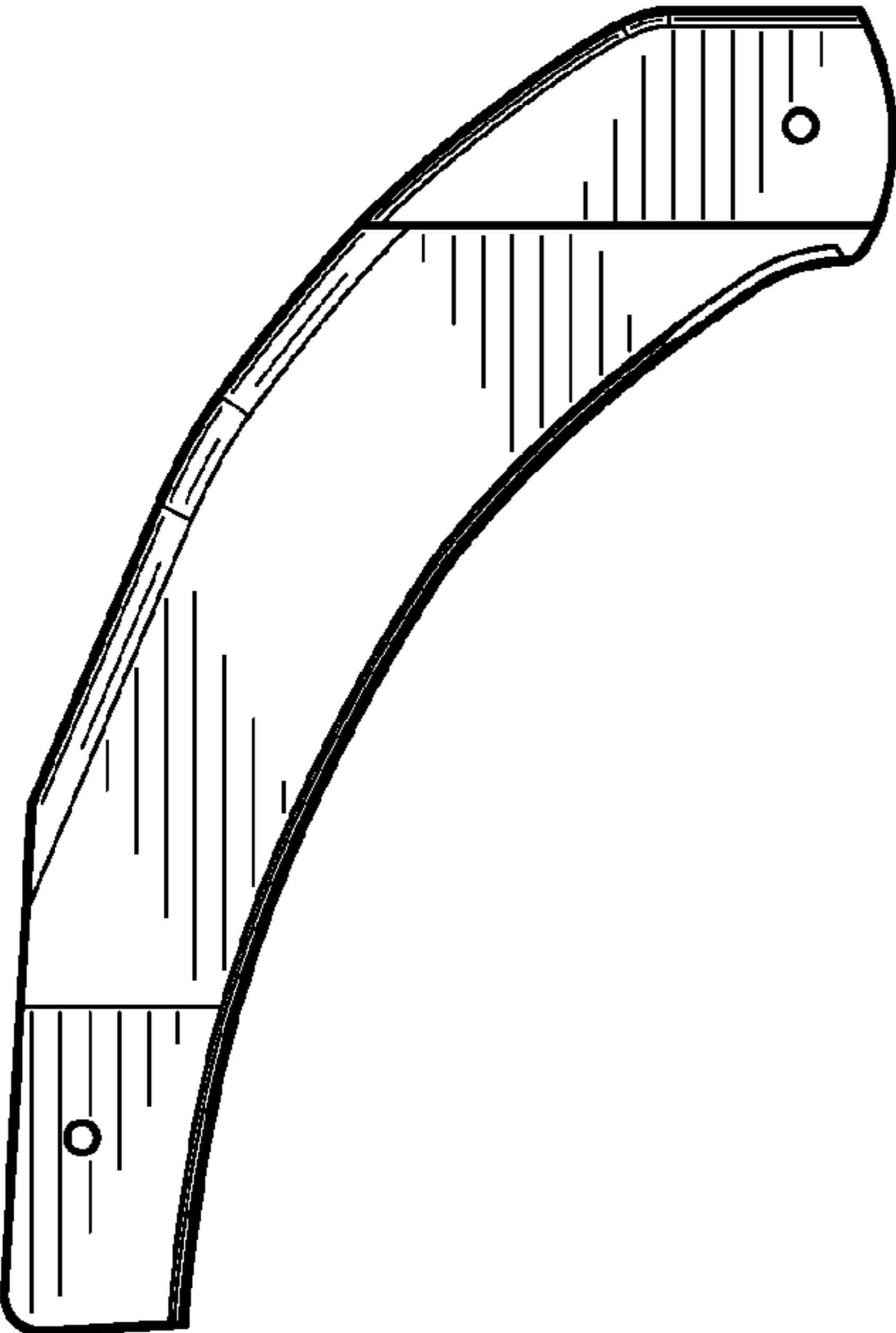


FIG. 2

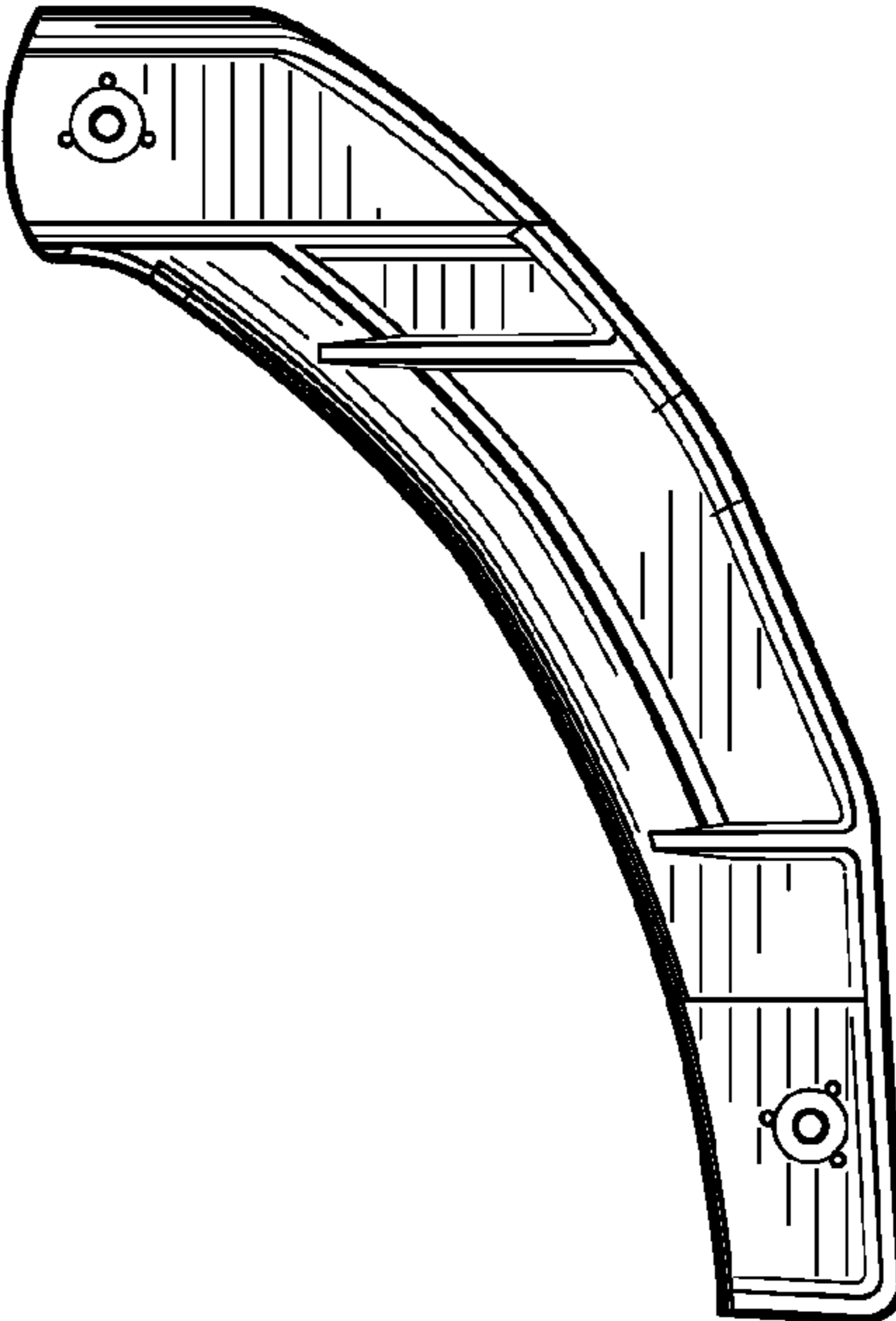


FIG. 3

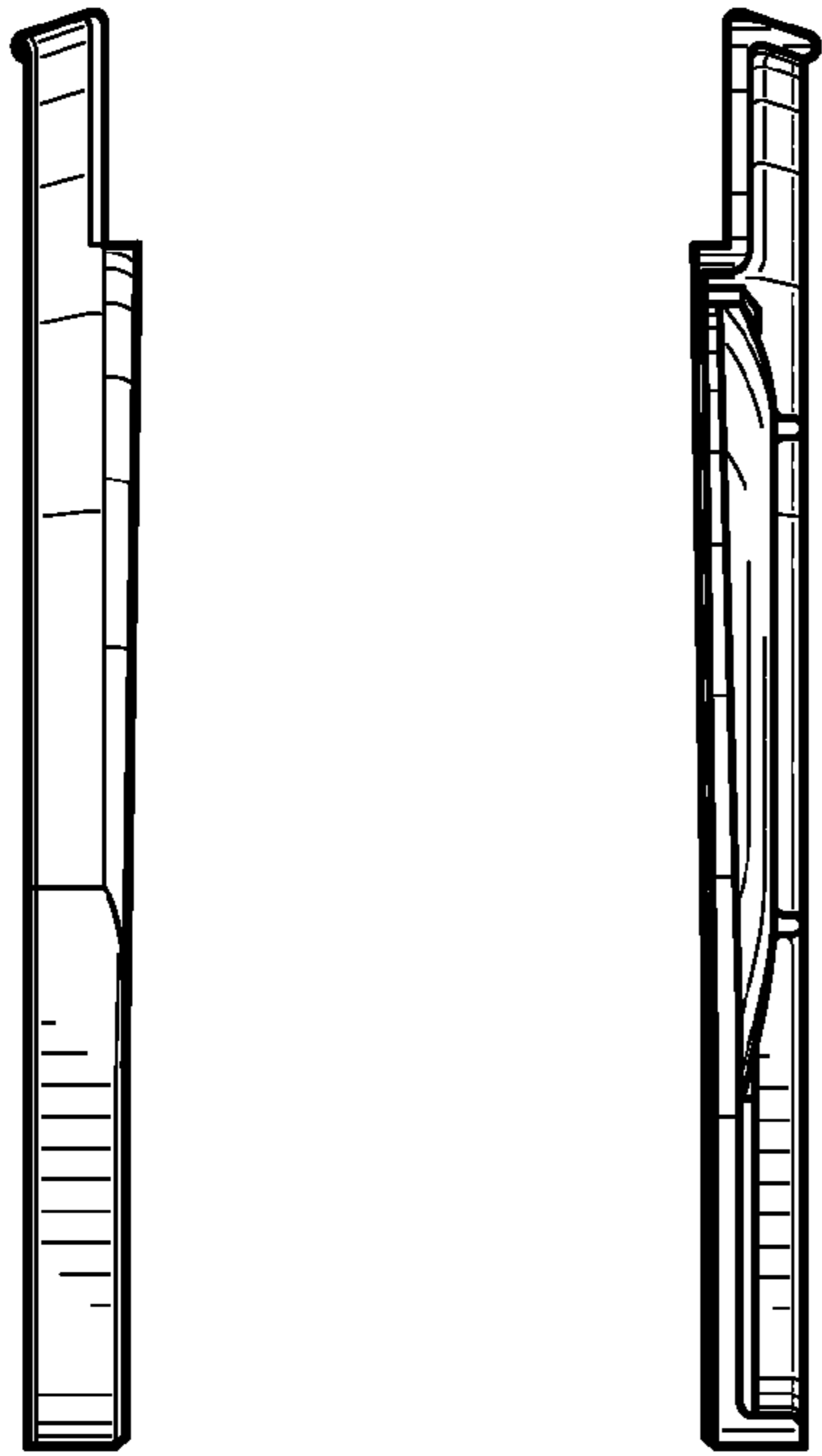


FIG. 4

FIG. 5

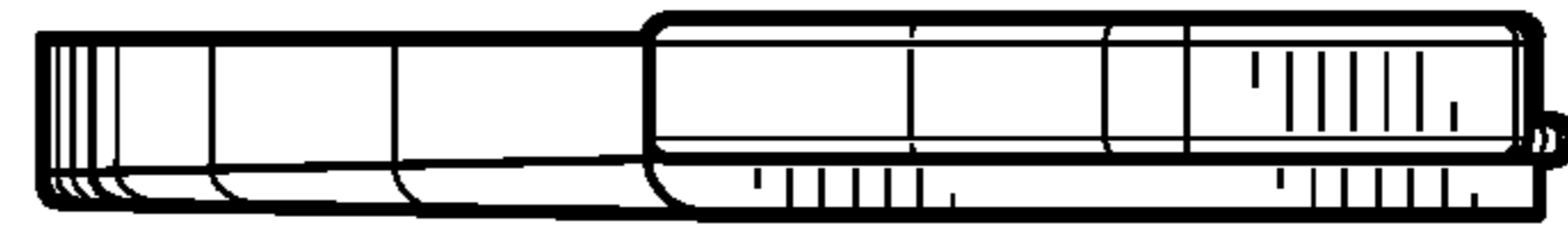


FIG. 6

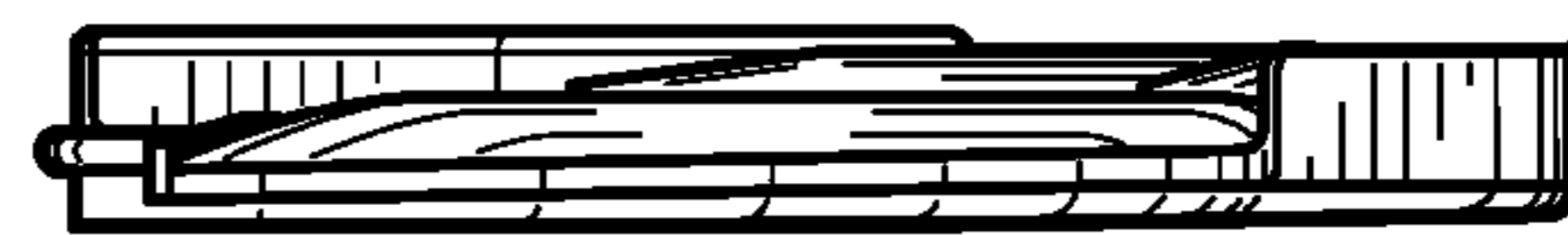


FIG. 7

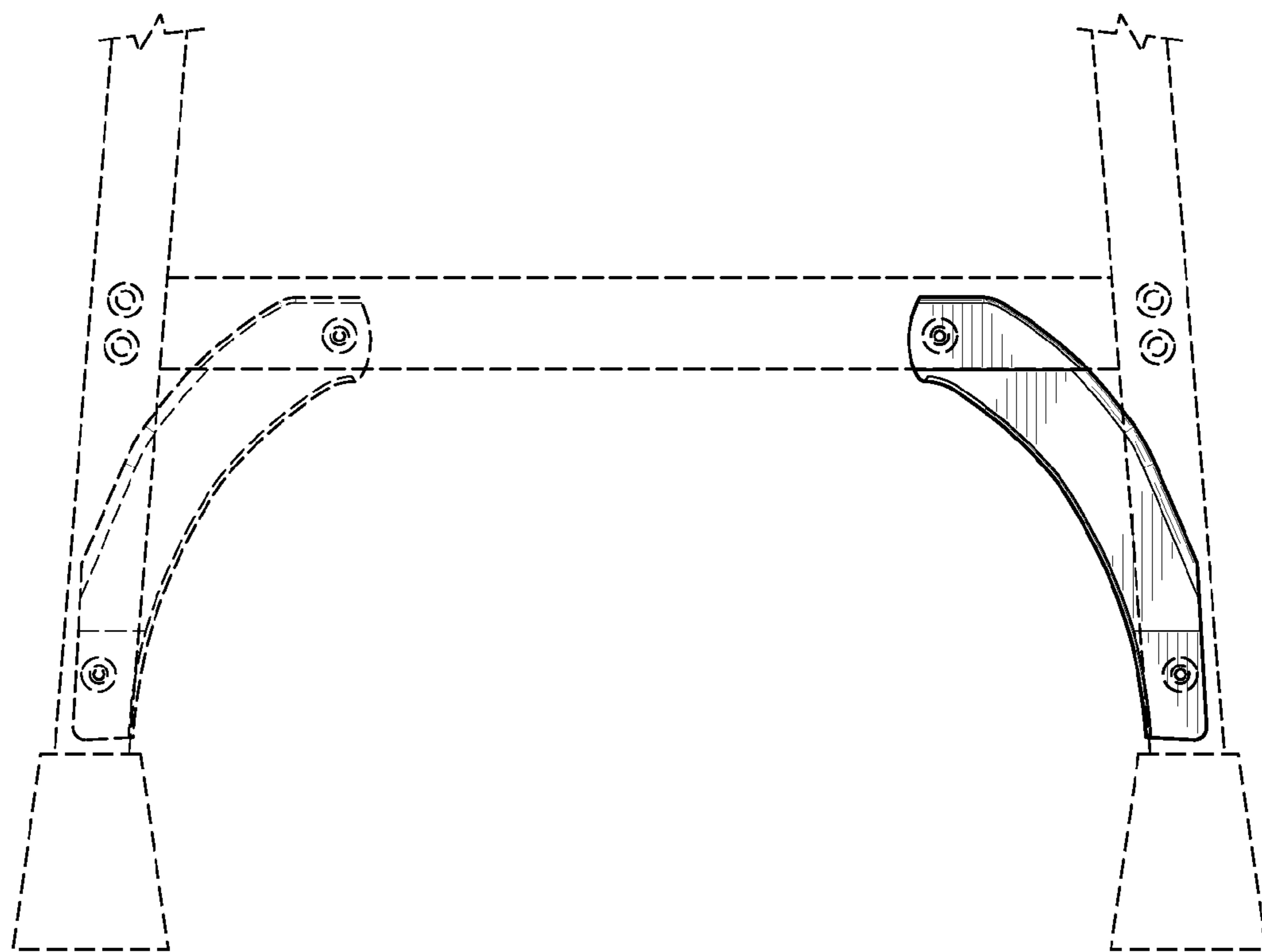


FIG. 8