



US00D650912S

(12) **United States Design Patent**  
**Tomes et al.**

(10) **Patent No.:** **US D650,912 S**  
(45) **Date of Patent:** **\*\* \*Dec. 20, 2011**

(54) **MEDICAL TRAY**

(75) Inventors: **Jennifer E. Tomes**, Mundelein, IL (US);  
**Deborah B. Adler**, New York, NY (US);  
**Jack E. Maze**, Long Grove, IL (US);  
**Alberto C. Savage**, Buffalo Grove, IL  
(US); **Kenneth S. Chua**, Glenview, IL  
(US); **Earl D. Wilson**, Ingleside, IL  
(US); **John H. Kutsch**, Harvard, IL (US)

(73) Assignee: **Medline Industries, Inv.**, Mundelein, IL  
(US)

(\*\*) Term: **14 Years**

(21) Appl. No.: **29/362,279**

(22) Filed: **May 21, 2010**

**Related U.S. Application Data**

(60) Division of application No. 29/352,783, filed on Dec.  
27, 2009, which is a continuation of application No.  
29/338,022, filed on Jun. 3, 2009, now Pat. No. Des.  
609,819.

(51) **LOC (9) Cl.** ..... **24-01**

(52) **U.S. Cl.** ..... **D24/227**

(58) **Field of Classification Search** ..... D24/123,  
D24/176, 216, 223-232; 422/99, 102, 104,  
422/297, 300; 433/77; D3/304, 307, 308,  
D3/314, 315; D7/500, 550.1, 543, 602, 554.3,  
D7/361, 354, 587; D6/406.1, 406.2, 406.3,  
D6/601; 206/557; D9/425

See application file for complete search history.

(56) **References Cited**

**U.S. PATENT DOCUMENTS**

D218,077 S 7/1970 Gabriel

(Continued)

**FOREIGN PATENT DOCUMENTS**

EP 2007/045943 4/2007

**OTHER PUBLICATIONS**

Poon, Robert "Non-Final Office Action", U.S. Appl. No. 12/495,148;  
filed Jun. 30, 2009; first inventor: Jennifer E. Tomes; mailed Aug. 4,  
2010.

(Continued)

*Primary Examiner* — T. Chase Nelson

*Assistant Examiner* — Mark Cavanna

(74) *Attorney, Agent, or Firm* — David S. Noskowicz; Philip  
H. Burrus, IV

(57) **CLAIM**

The ornamental design for a medical tray, as shown and  
described.

**DESCRIPTION**

A portion of the disclosure of this patent document contains  
material to which a claim for copyright is made. The copy-  
right owner has no objection to the facsimile reproduction by  
anyone of the patent document or the patent disclosure, as it  
appears in the Patent and Trademark Office patent file or  
records, but reserves all other copyrights whatsoever.

FIG. 1 is a front, right, top perspective view of a medical tray  
showing our new design;

FIG. 2 is a top plan view thereof;

FIG. 3 is a front elevation view thereof;

FIG. 4 is an inverted, rear elevation view thereof;

FIG. 5 is a rotated, right elevation view thereof;

FIG. 6 is a rotated, left elevation view thereof;

FIG. 7 is a bottom plan view thereof;

FIG. 8 is a front, left, top perspective view thereof;

FIG. 9 is a front, right, top perspective view of a second  
embodiment of a medical tray showing our new design;

FIG. 10 is a top plan view thereof;

FIG. 11 is a front elevation view thereof;

FIG. 12 is an inverted, rear elevation view thereof;

FIG. 13 is a rotated, right elevation view thereof;

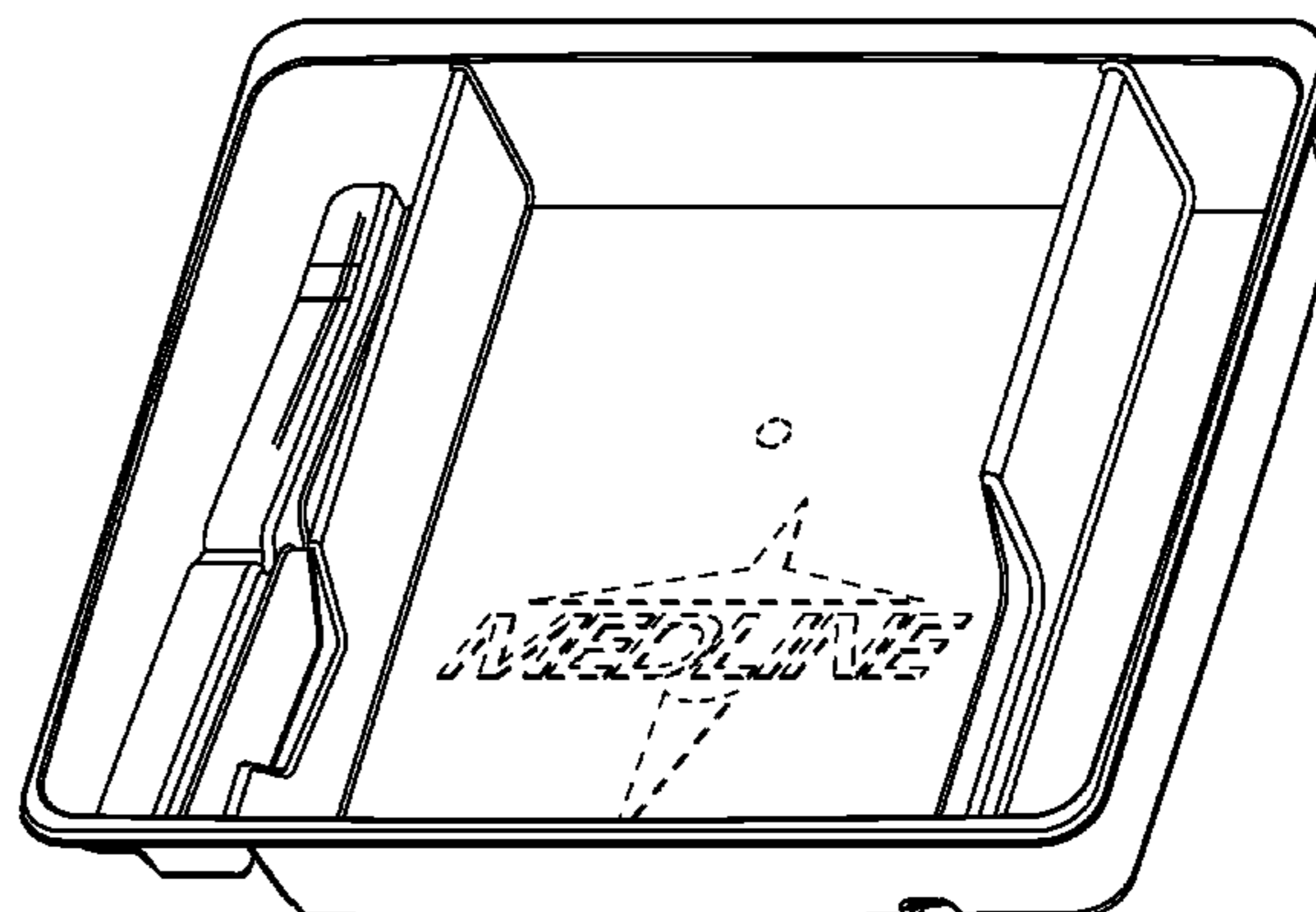
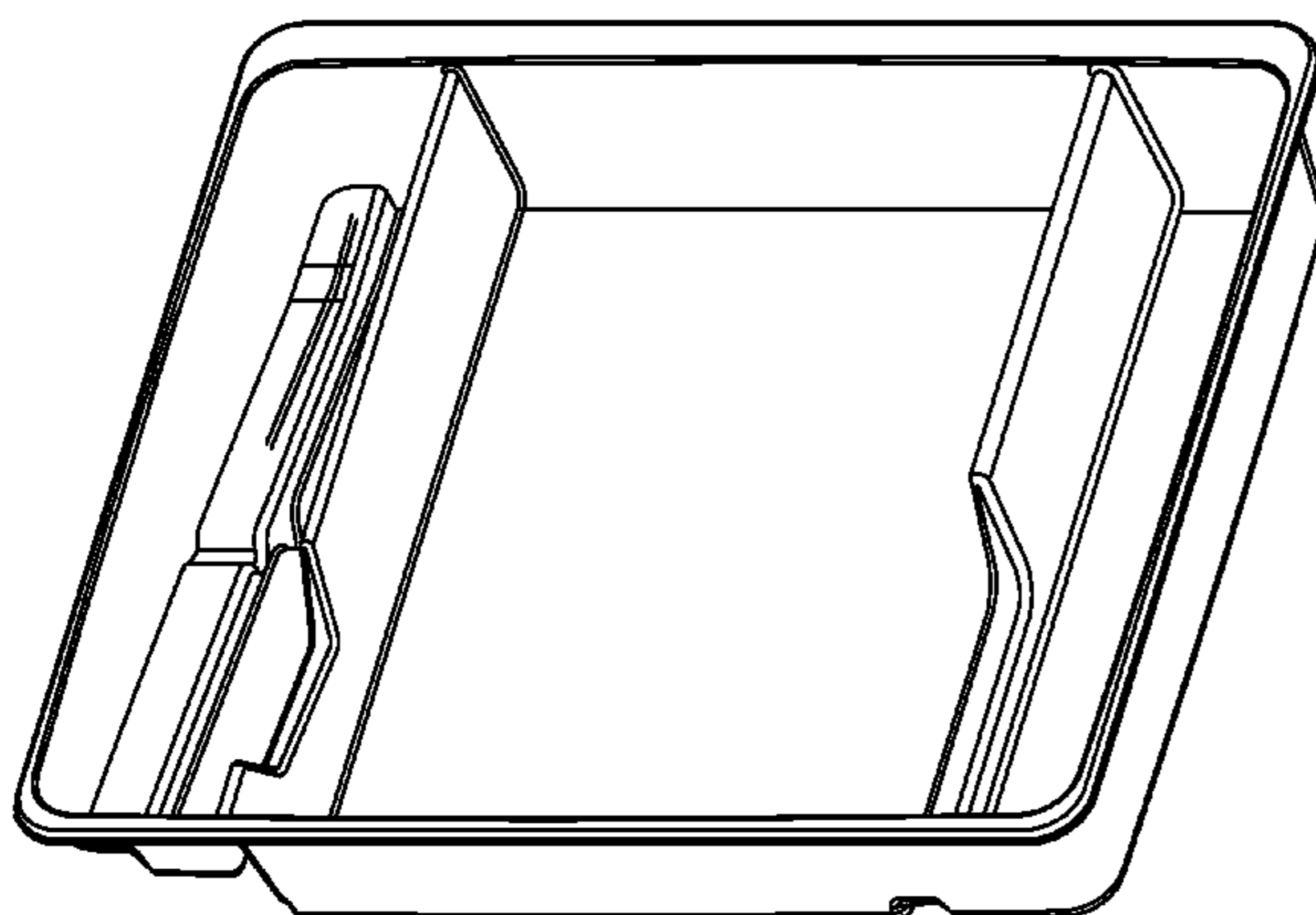
FIG. 14 is a rotated, left elevation view thereof;

FIG. 15 is a bottom plan view thereof; and,

FIG. 16 is a front, left, top perspective view thereof.

The broken lines are included for the purpose of illustrating  
portions of the medical tray that forms no part of the claimed  
design.

**1 Claim, 12 Drawing Sheets**



# US D650,912 S

Page 2

## U.S. PATENT DOCUMENTS

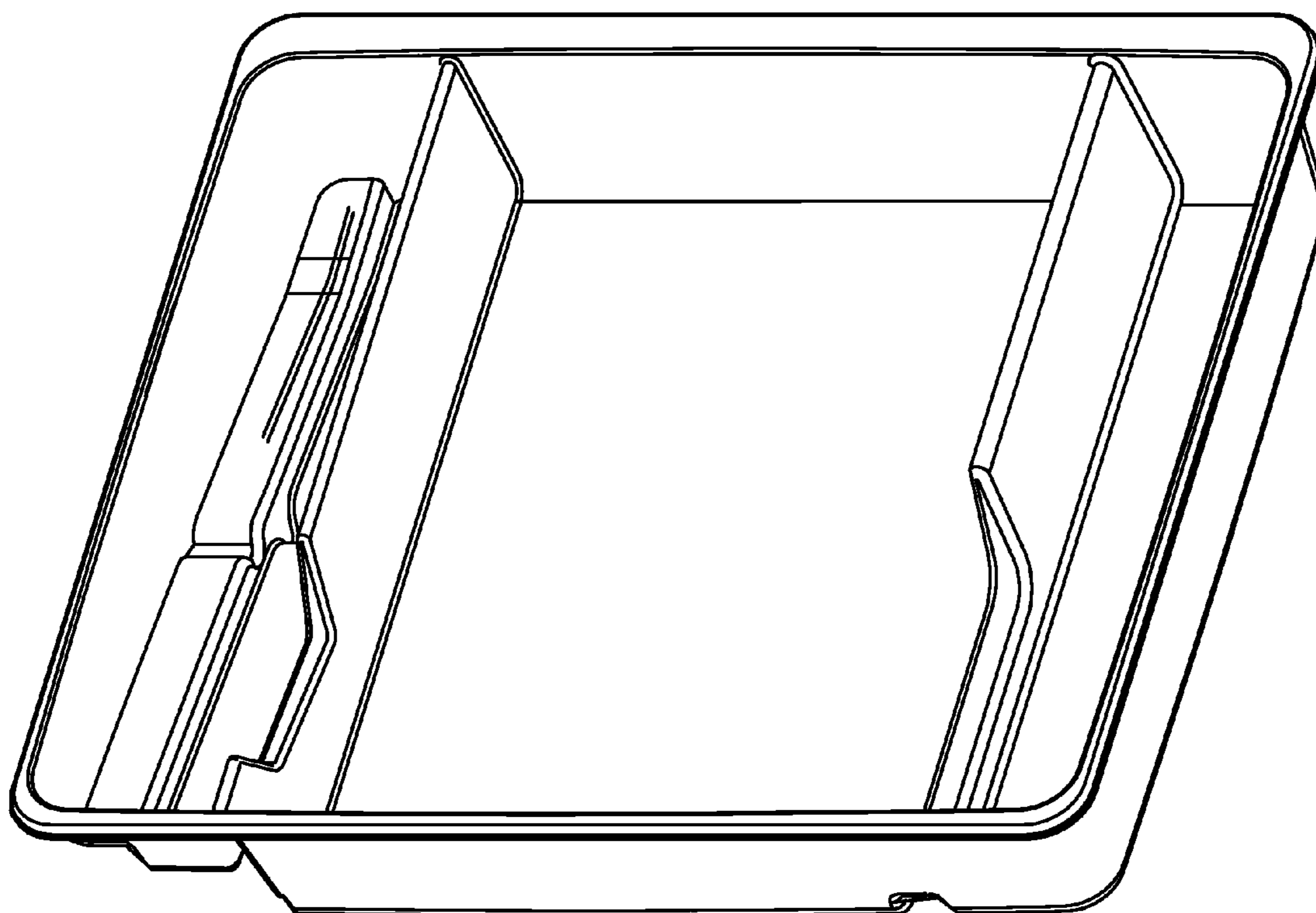
3,851,649 A	12/1974	Villari	5,339,955 A	8/1994	Horan et al.
D234,404 S	2/1975	Merril	D351,661 S	10/1994	Fischer
D237,315 S	10/1975	Nowkowski	D387,177 S	12/1997	Davis
D237,317 S	10/1975	Nowkowski	5,975,295 A	11/1999	Diamond
D243,798 S	3/1977	Swartz	6,012,586 A	1/2000	Misra
D248,871 S	8/1978	Forsman et al.	6,068,121 A	5/2000	McGlinch
D249,362 S	9/1978	Forsman et al.	D450,130 S	11/2001	Goldstein
D262,995 S	2/1982	Gaba et al.	D596,311 S	7/2009	Antons
D268,130 S	3/1983	Easton	D609,819 S *	2/2010	Tomes et al. .... D24/227
D275,886 S	10/1984	Sheward et al.	2007/0084742 A1	4/2007	Miller et al.
D276,462 S	11/1984	Villarreal			
4,523,679 A	6/1985	Paikoff et al.			
D280,663 S	9/1985	Albon et al.			
D280,933 S	10/1985	McLaughlin			
D283,051 S	3/1986	Fichera			
D287,760 S	1/1987	Discko, Jr.			
4,761,008 A	8/1988	Huggins			
D334,973 S	4/1993	Valentine et al.			
D337,830 S	7/1993	Coyne et al.			
D343,687 S	1/1994	Houghton et al.			

## OTHER PUBLICATIONS

Yuan, Minqiang "Non-Final Office Action", Chinese Application No. 200920267201.2, In the Name of Medline Industries, Inc., Entitled Tray for Medical Devices and Packaging System, Mailed Sep. 9, 2010.

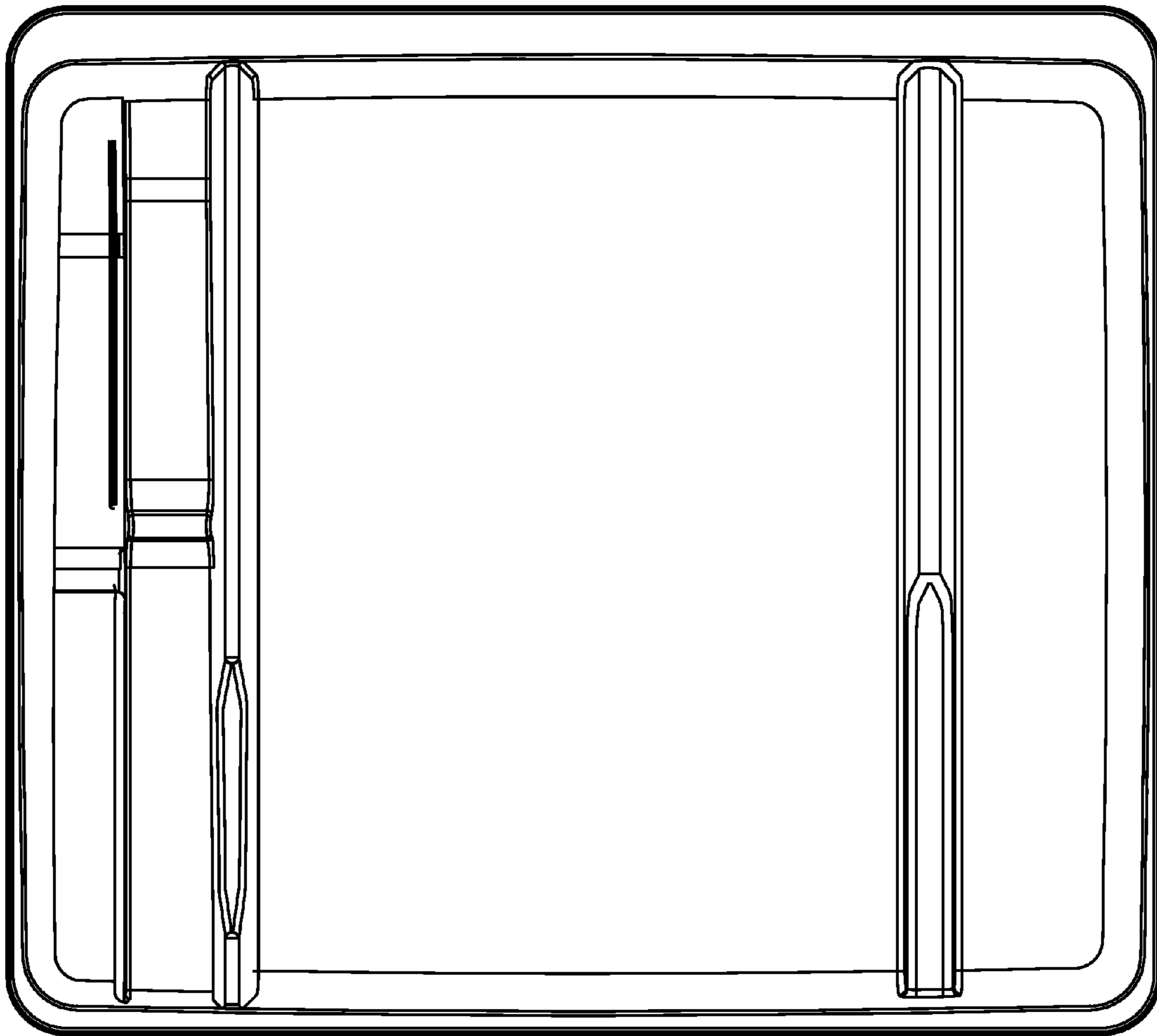
Extended EPO Search Report, EPO Application No. 10251025.2—1526, Mailed Sep. 29, 2010.

\* cited by examiner



© 2009 Medline Industries, Inc.

***FIG. 1***



© 2009 Medline Industries, Inc.

***FIG. 2***



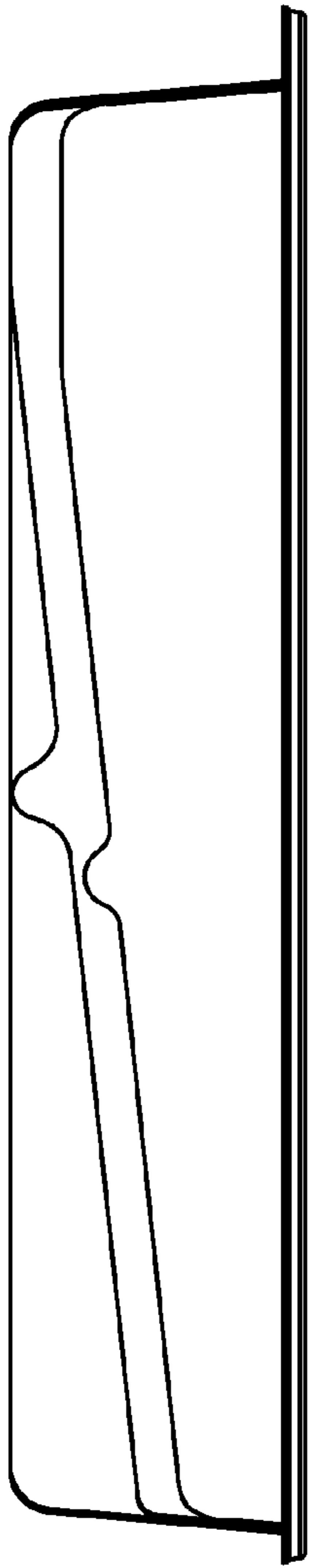
© 2009 Medline Industries, Inc.

***FIG. 3***



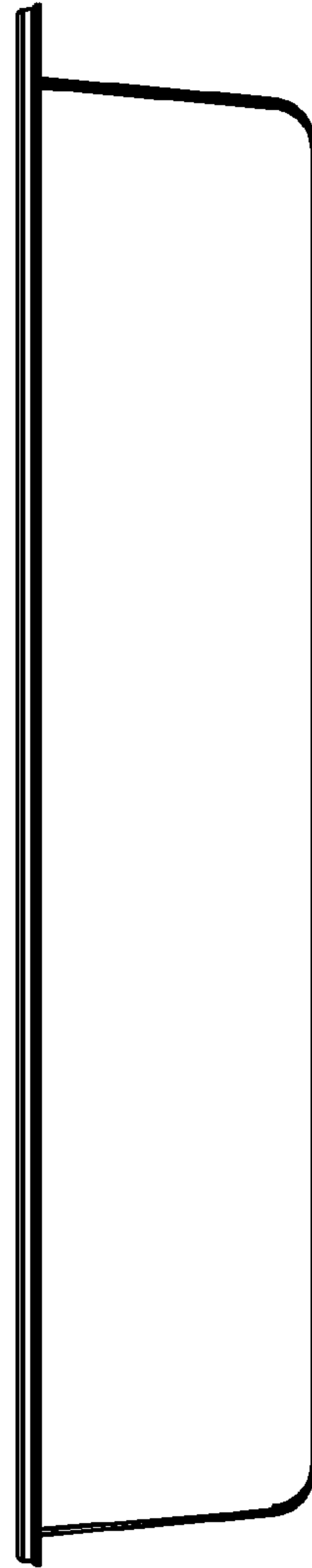
© 2009 Medline Industries, Inc.

***FIG. 4***



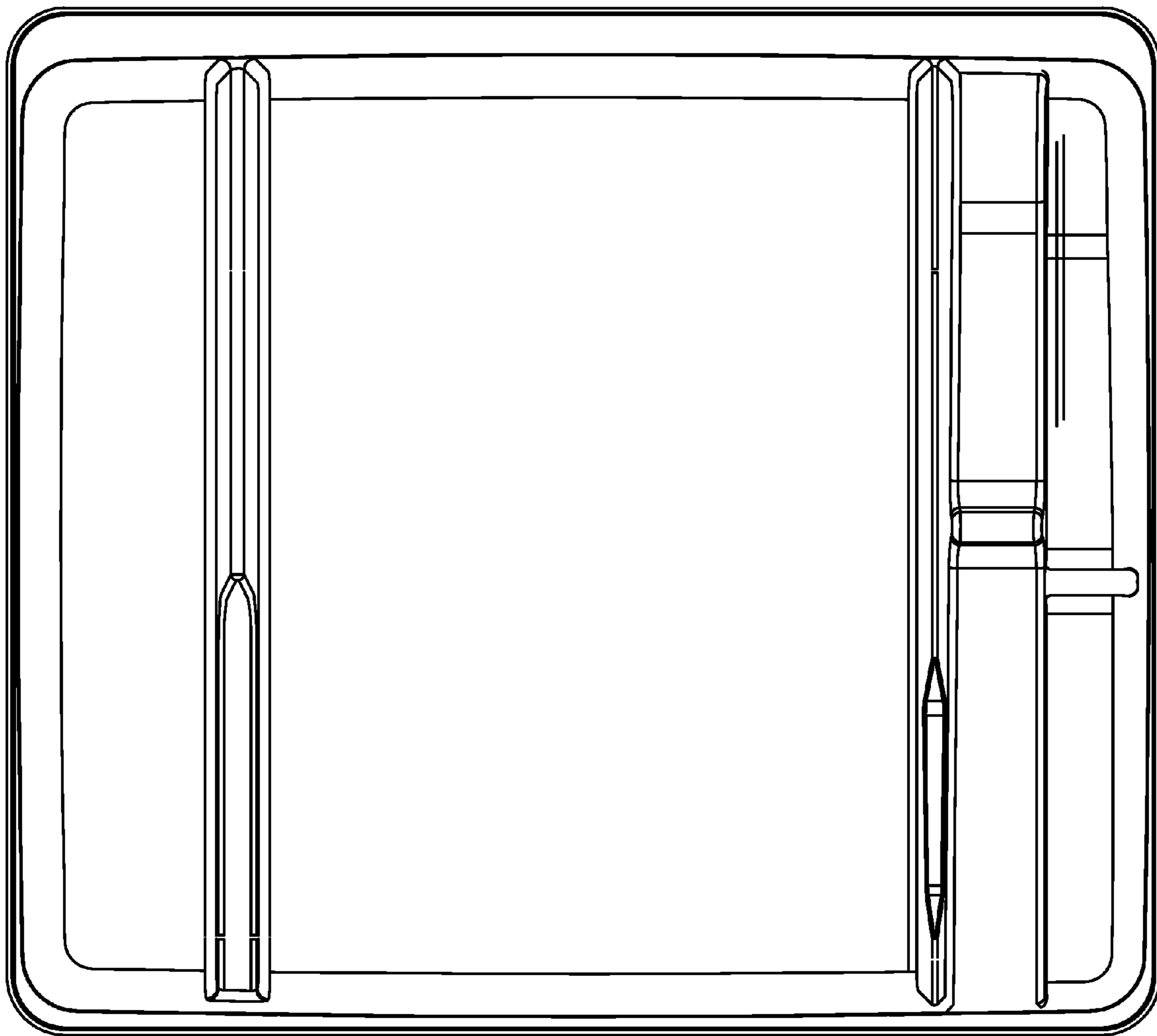
© 2009 Medline Industries, Inc.

***FIG. 5***



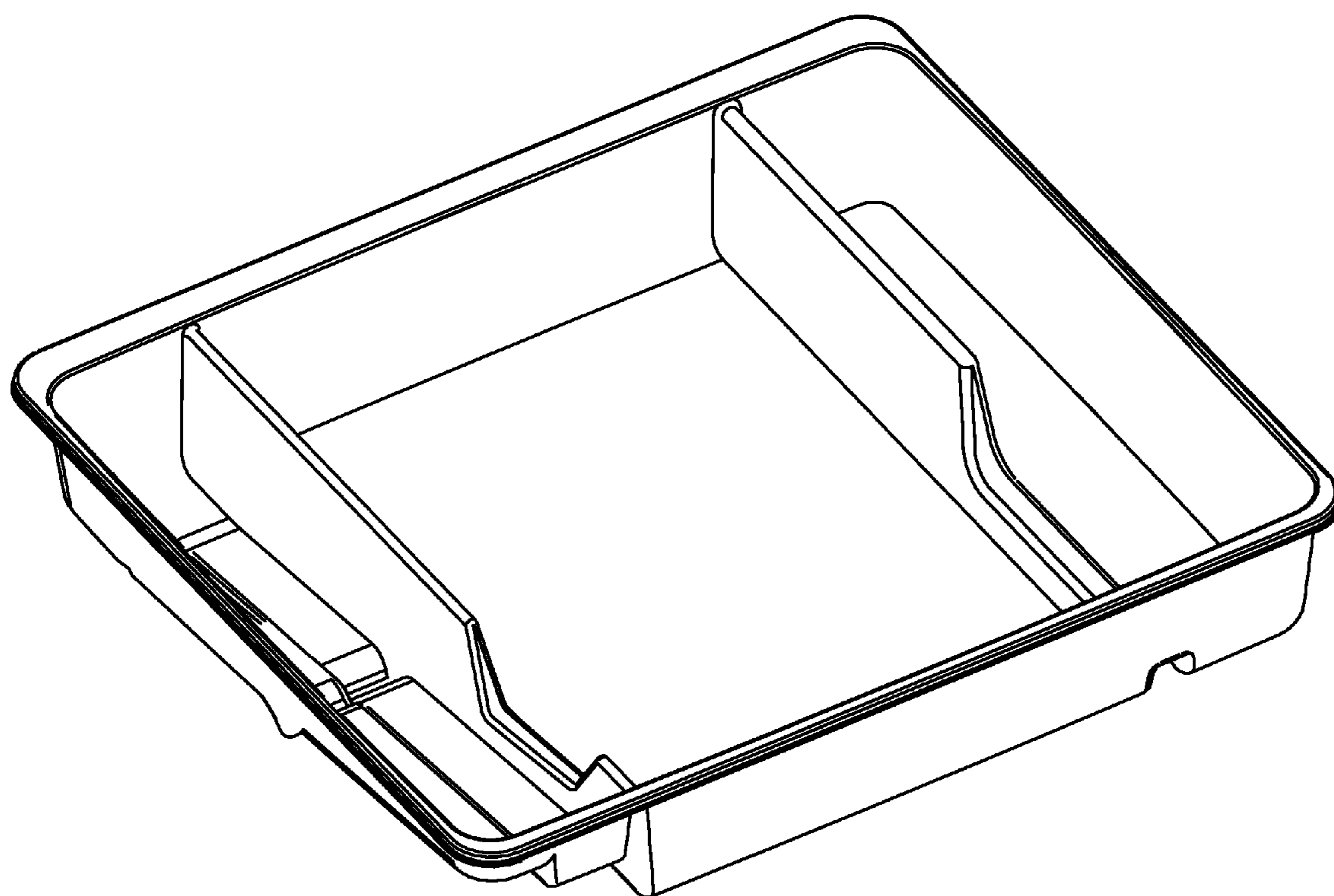
© 2009 Medline Industries, Inc.

***FIG. 6***



© 2009 Medline Industries, Inc.

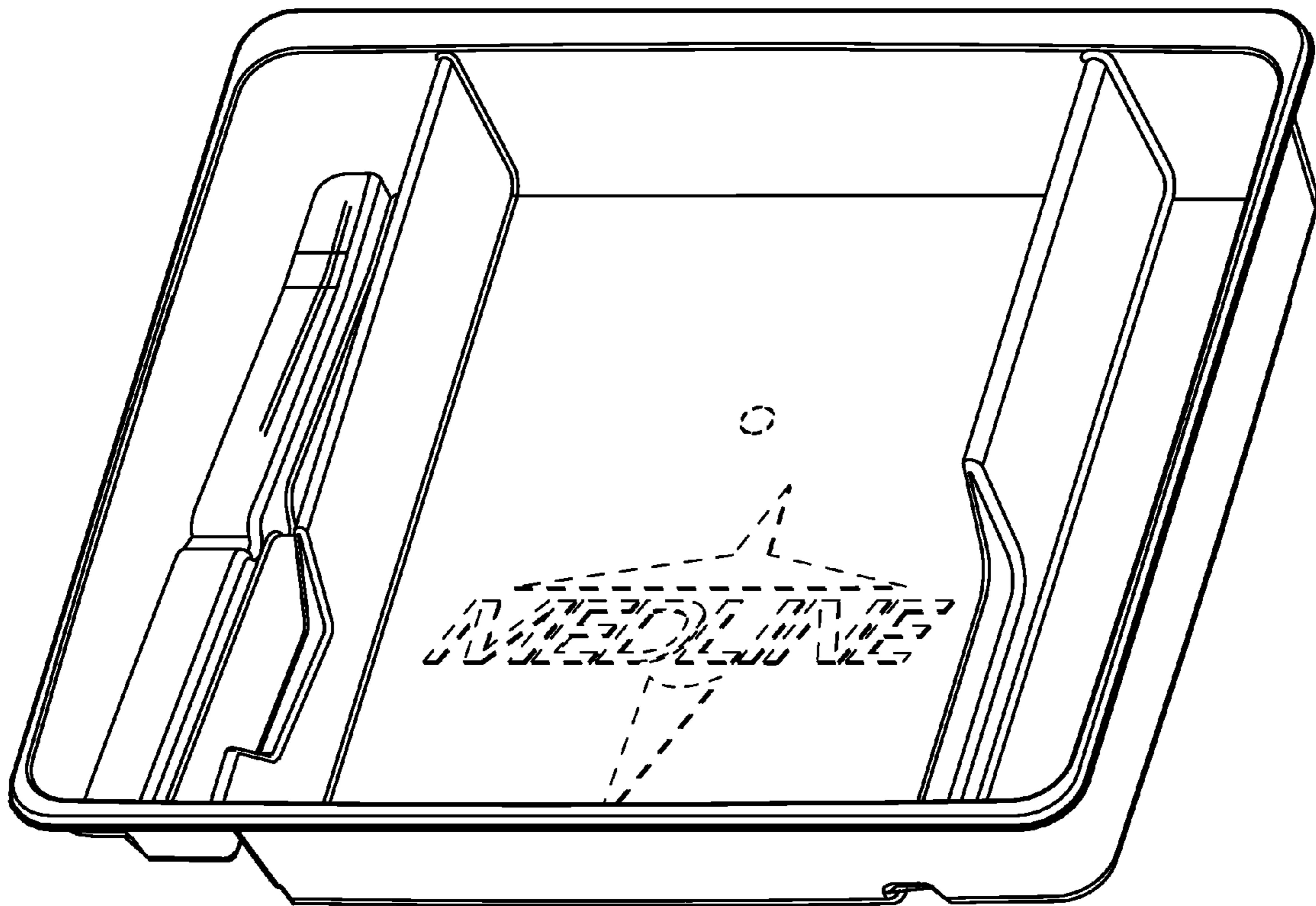
***FIG. 7***



© 2009 Medline Industries, Inc.

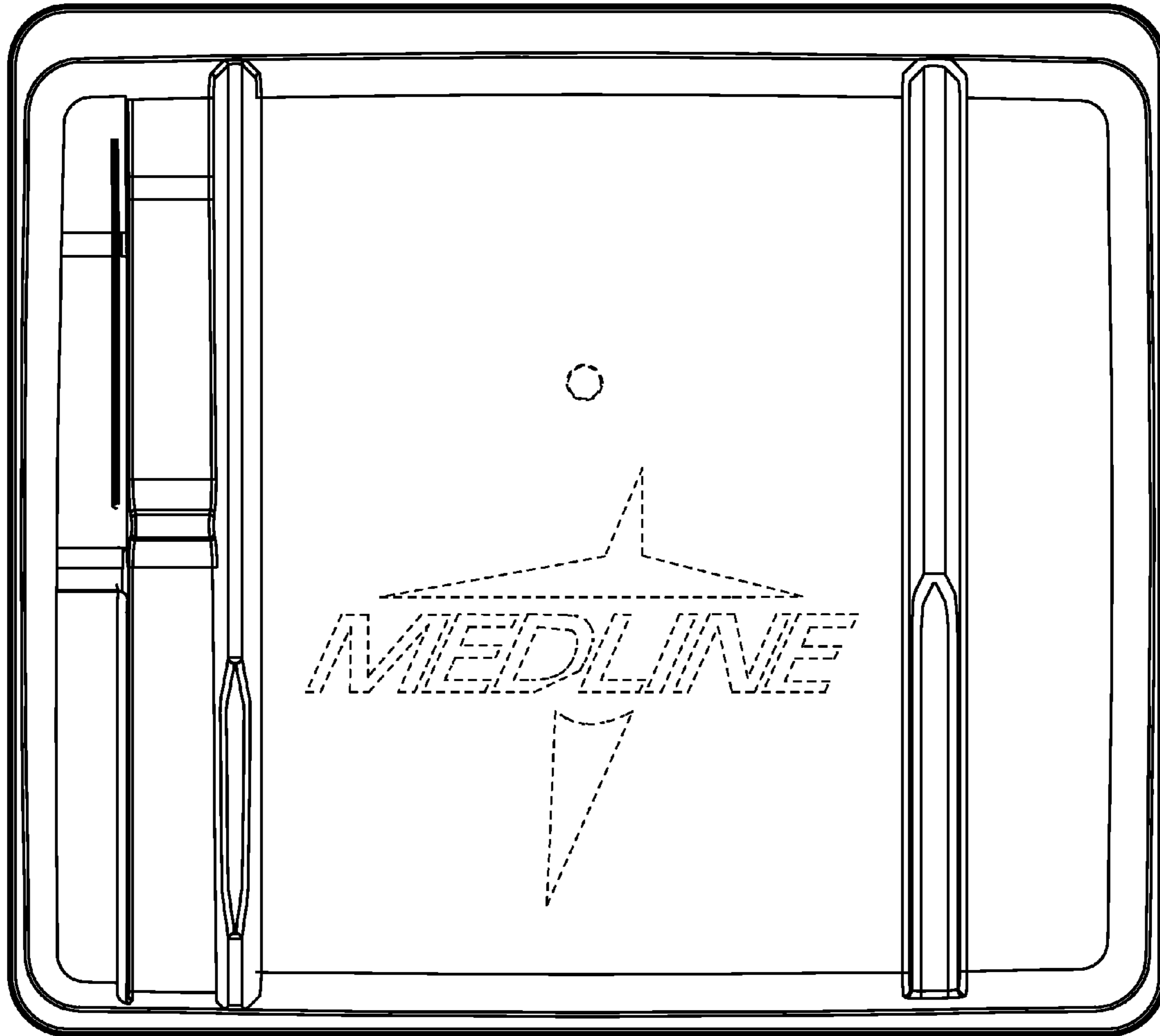
***FIG. 8***





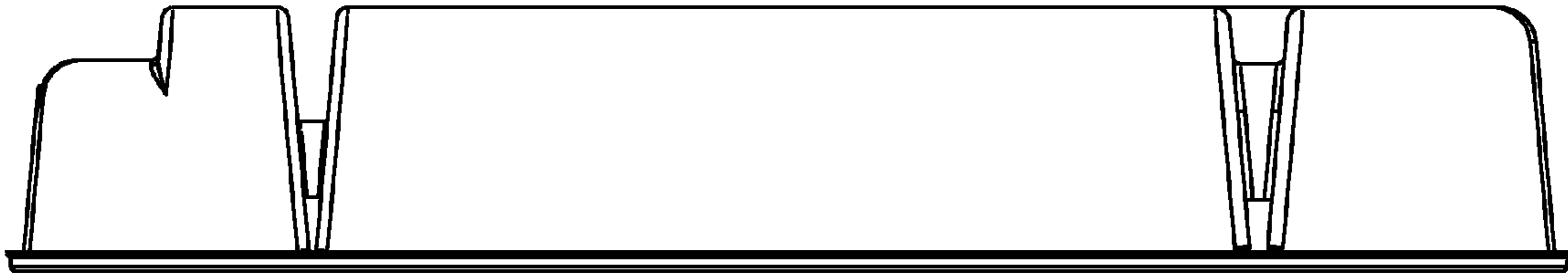
© 2009 Medline Industries, Inc.

**FIG. 9**



© 2009 Medline Industries, Inc.

**FIG. 10**



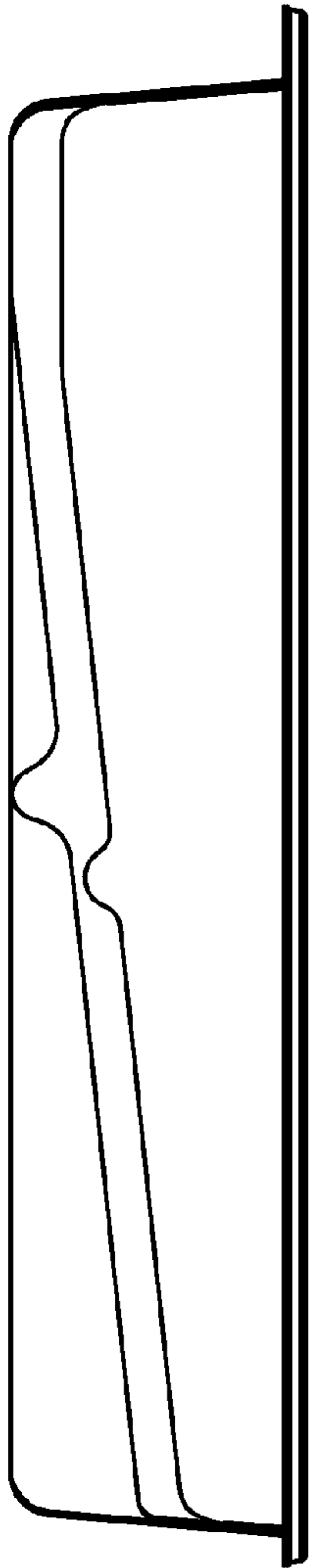
© 2009 Medline Industries, Inc.

***FIG. 11***



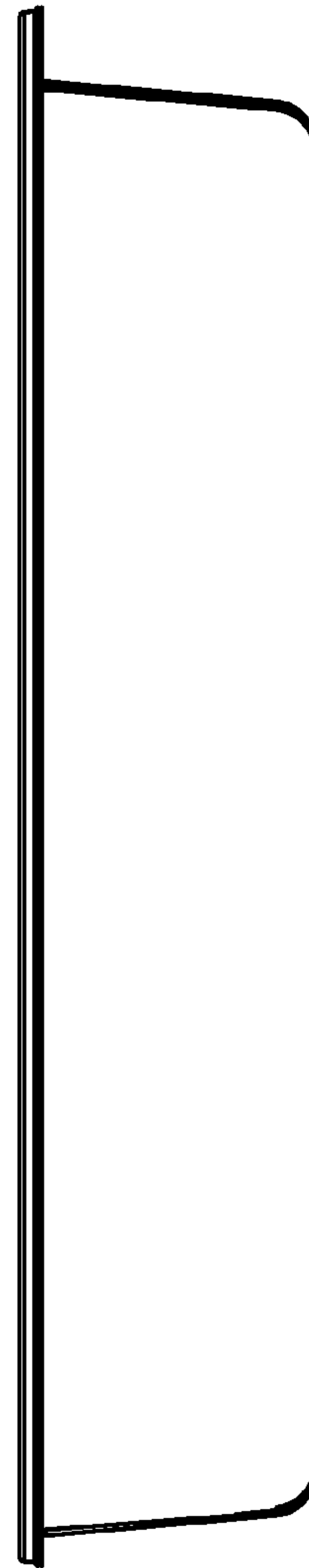
© 2009 Medline Industries, Inc.

***FIG. 12***



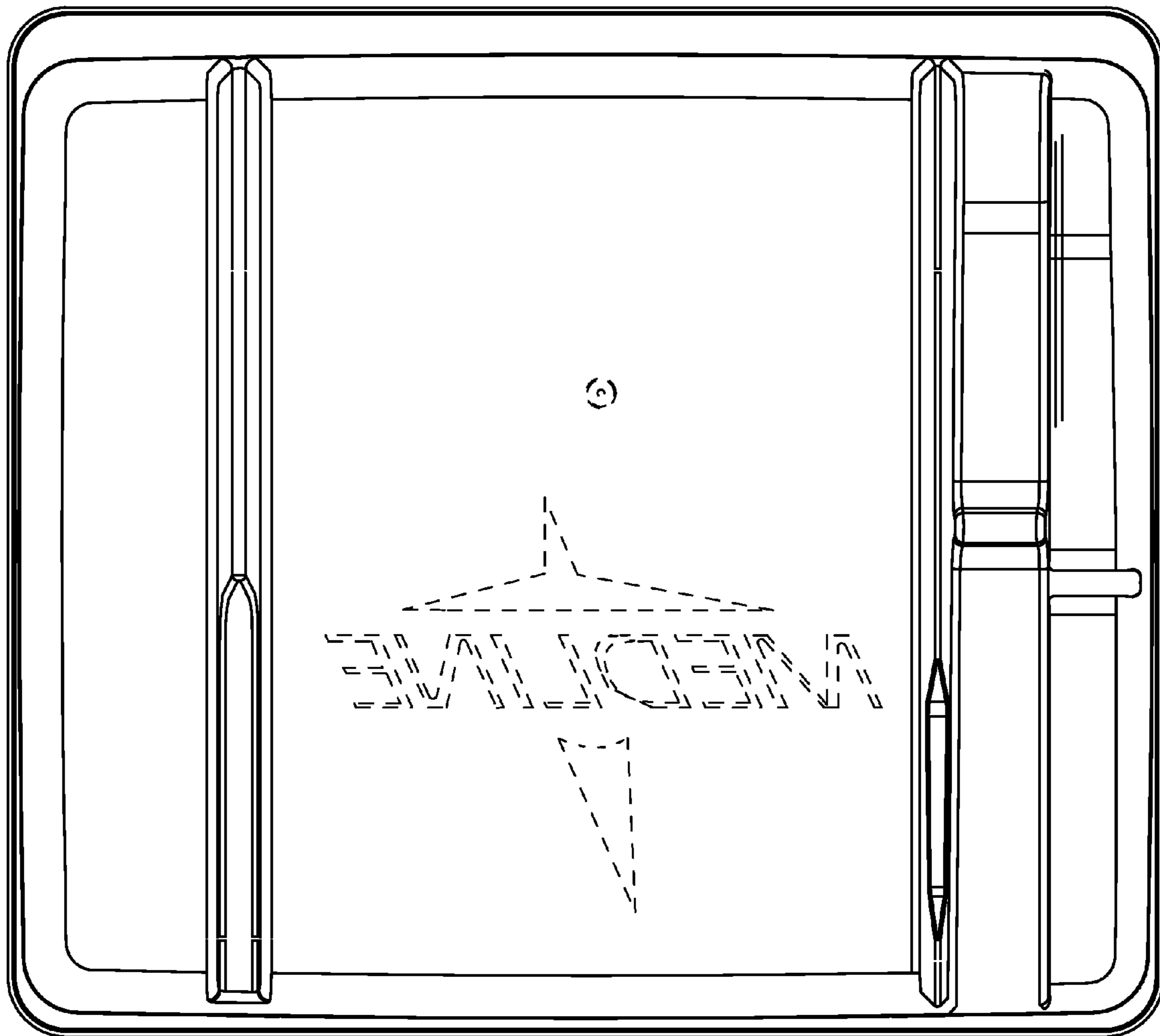
© 2009 Medline Industries, Inc.

***FIG. 13***



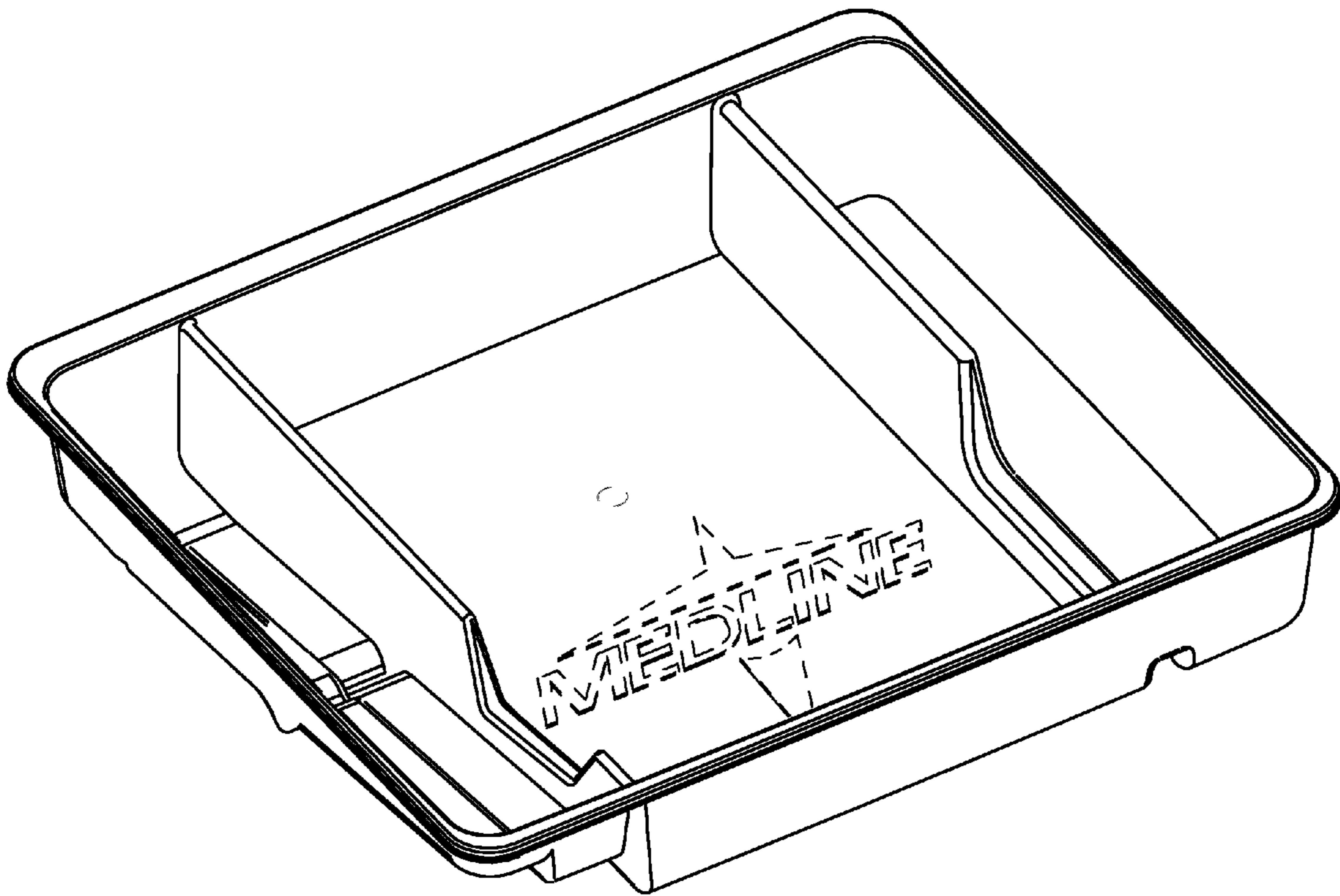
© 2009 Medline Industries, Inc.

***FIG. 14***



© 2009 Medline Industries, Inc.

**FIG. 15**



© 2009 Medline Industries, Inc.

**FIG. 16**