

US00D650906S

(12) **United States Design Patent**  
**Phillips**

(10) **Patent No.:** **US D650,906 S**

(45) **Date of Patent:** **\*\* Dec. 20, 2011**

(54) **MRI COIL HOUSING**

(75) Inventor: **Mark Phillips**, Narberth (GB)

(73) Assignee: **The Magstim Company Limited**,  
Spring Gardens, Whitland, Dyfed (GB)

(\*\*) Term: **14 Years**

(21) Appl. No.: **29/383,830**

(22) Filed: **Jan. 21, 2011**

(51) **LOC (9) Cl.** ..... **24-01**

(52) **U.S. Cl.** ..... **D24/158**

(58) **Field of Classification Search** ..... D24/158-161,  
D24/186, 187, 231; 378/62-65; D13/117,  
D13/122; D9/419; 600/13, 410, 421, 422;  
324/318, 322

See application file for complete search history.

(56) **References Cited**

**U.S. PATENT DOCUMENTS**

D337,684	S	*	7/1993	Kaufman et al.	.....	D6/601
5,327,898	A	*	7/1994	Yoshino et al.	.....	600/422
5,502,387	A	*	3/1996	McGill	.....	324/318
D380,832	S	*	7/1997	Isshiki et al.	.....	D24/158
D393,068	S	*	3/1998	Isshiki	.....	D24/158
D427,685	S	*	7/2000	Danby et al.	.....	D24/158
D428,151	S	*	7/2000	Danby et al.	.....	D24/158

D438,619	S	*	3/2001	Okada et al.	.....	D24/158
D461,249	S	*	8/2002	Tsuzaki et al.	.....	D24/158
6,809,519	B2	*	10/2004	Higuchi	.....	324/318
6,832,108	B2	*	12/2004	deSouza et al.	.....	600/422
D549,826	S	*	8/2007	Aoki et al.	.....	D24/158
D596,563	S	*	7/2009	Kitajima et al.	.....	D13/117

\* cited by examiner

*Primary Examiner* — Anhdao Doan

(74) *Attorney, Agent, or Firm* — Ryan A. Schneider;  
Troutman Sanders LLP

(57) **CLAIM**

The ornamental design for a MRI coil housing, as shown and described.

**DESCRIPTION**

FIG. 1 is a top perspective view of the MRI coil housing of the present invention;

FIG. 2 is an end view of the MRI coil housing;

FIG. 3 is a rear view of the MRI coil housing;

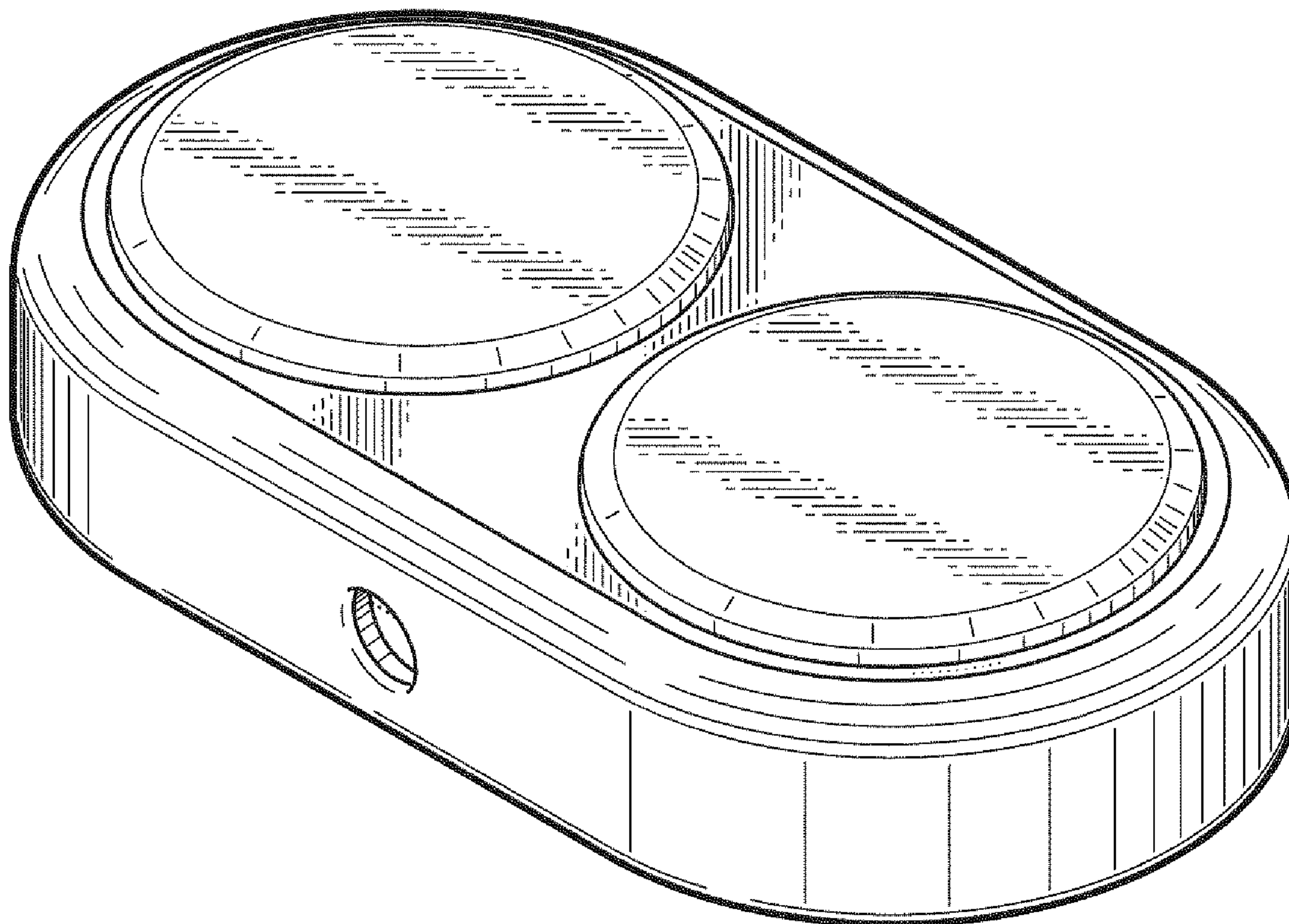
FIG. 4 is a front view of the MRI coil housing;

FIG. 5 is a top plan view of the MRI coil housing; and,

FIG. 6 is a bottom plan view of the MRI coil housing.

The broken lines in FIGS. 1 and 3 are included for the purpose of illustrating a portion of the MRI coil housing that forms no part of the claimed design.

**1 Claim, 2 Drawing Sheets**



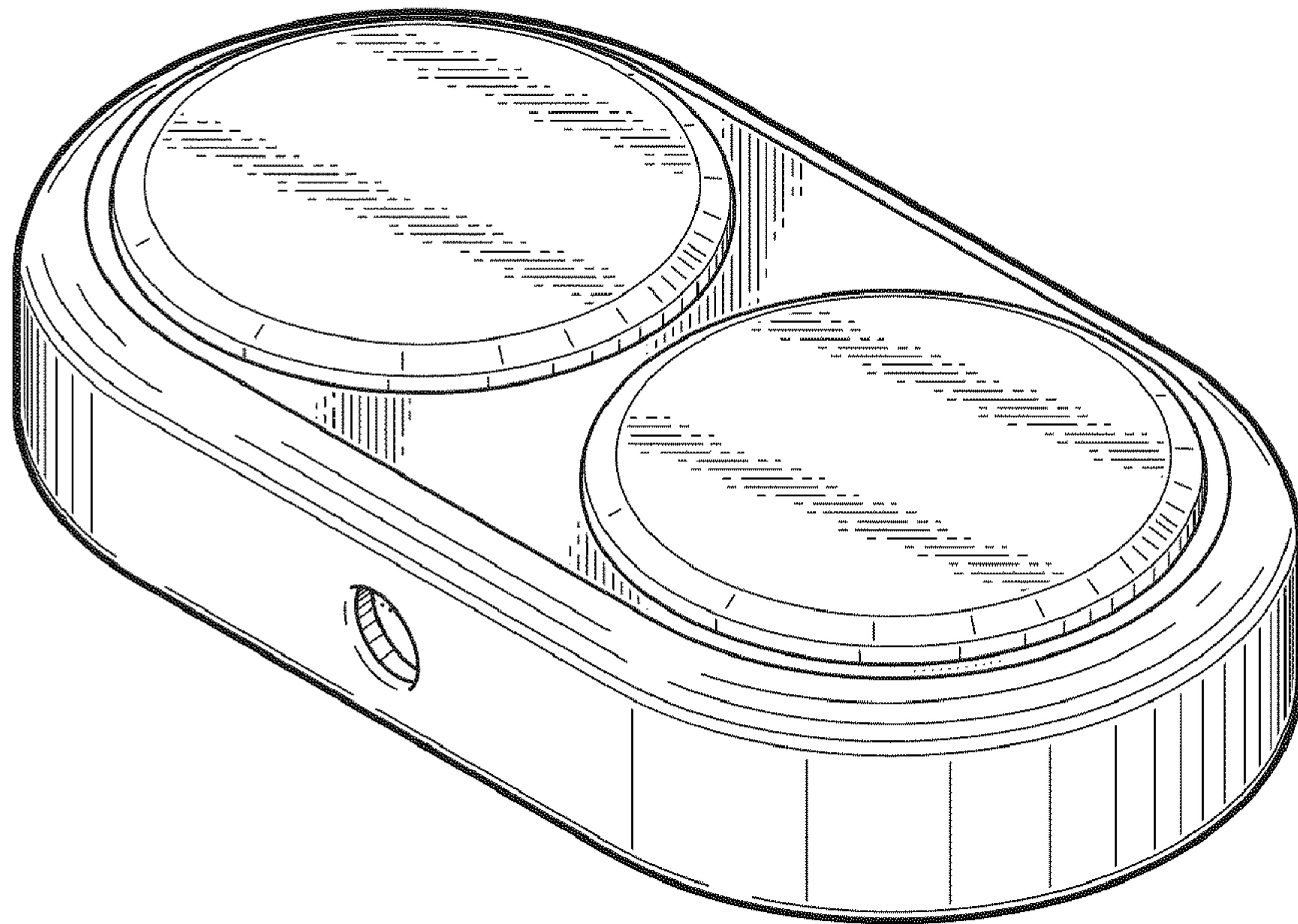


FIG. 1

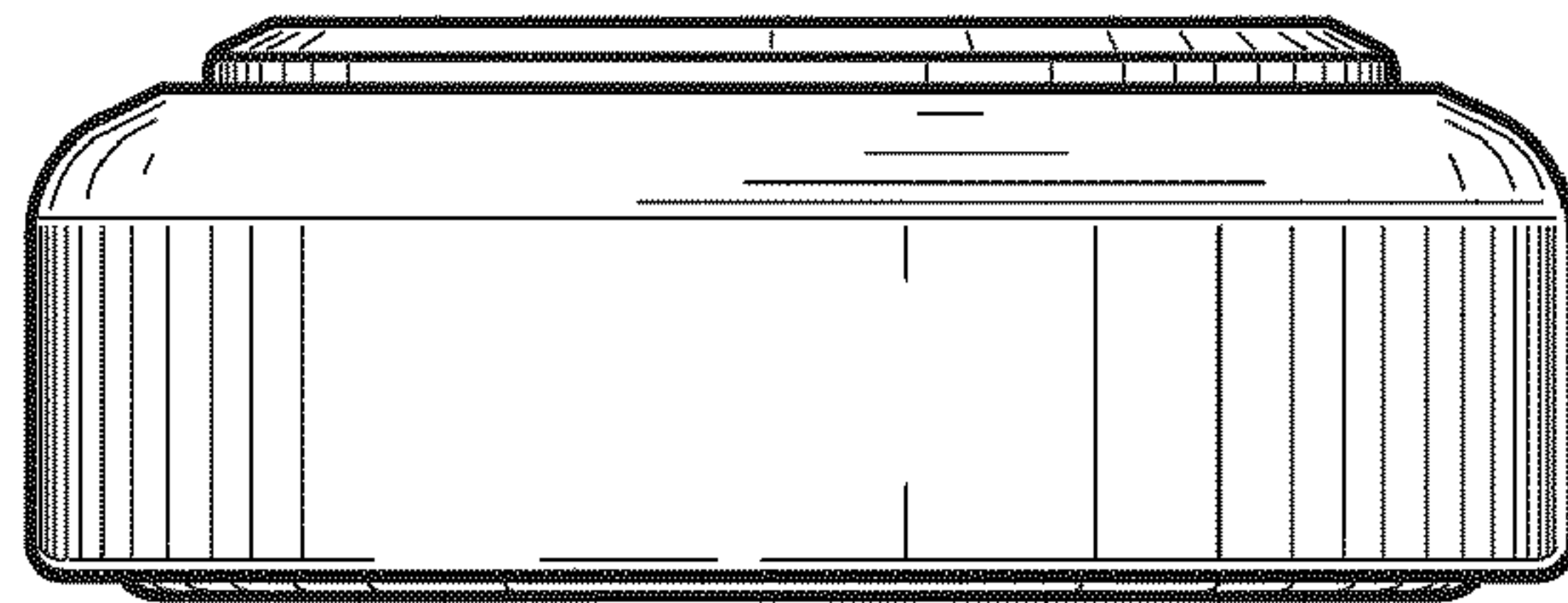


FIG. 2

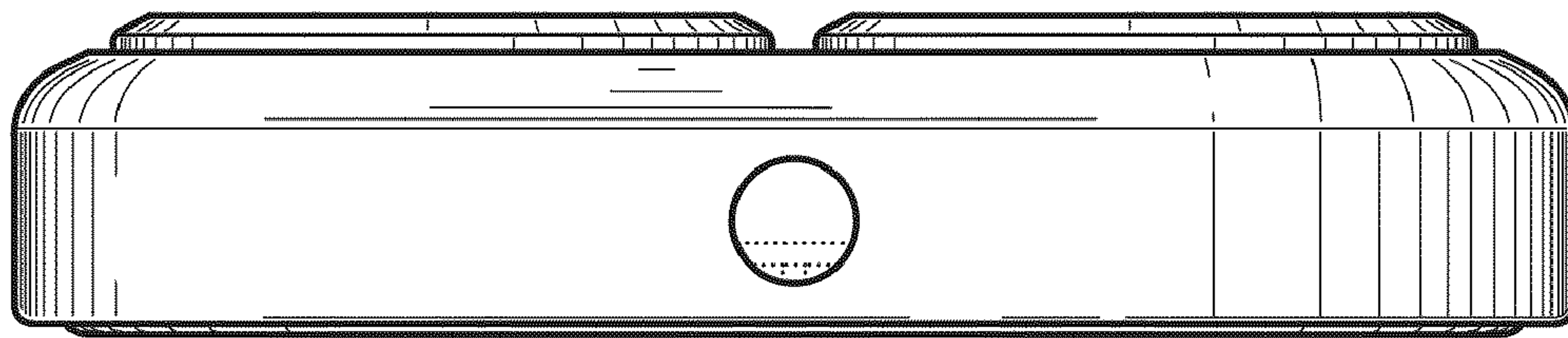


FIG. 3

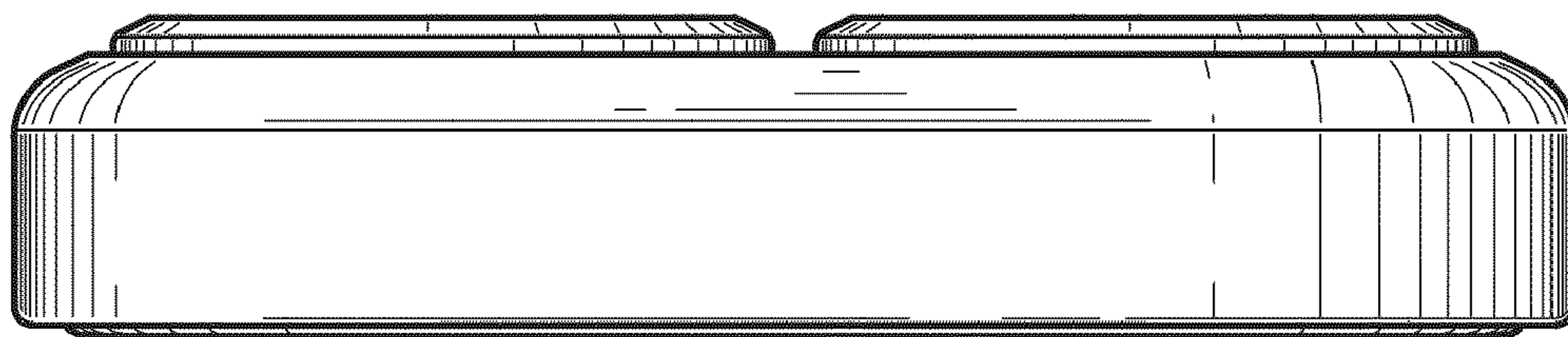
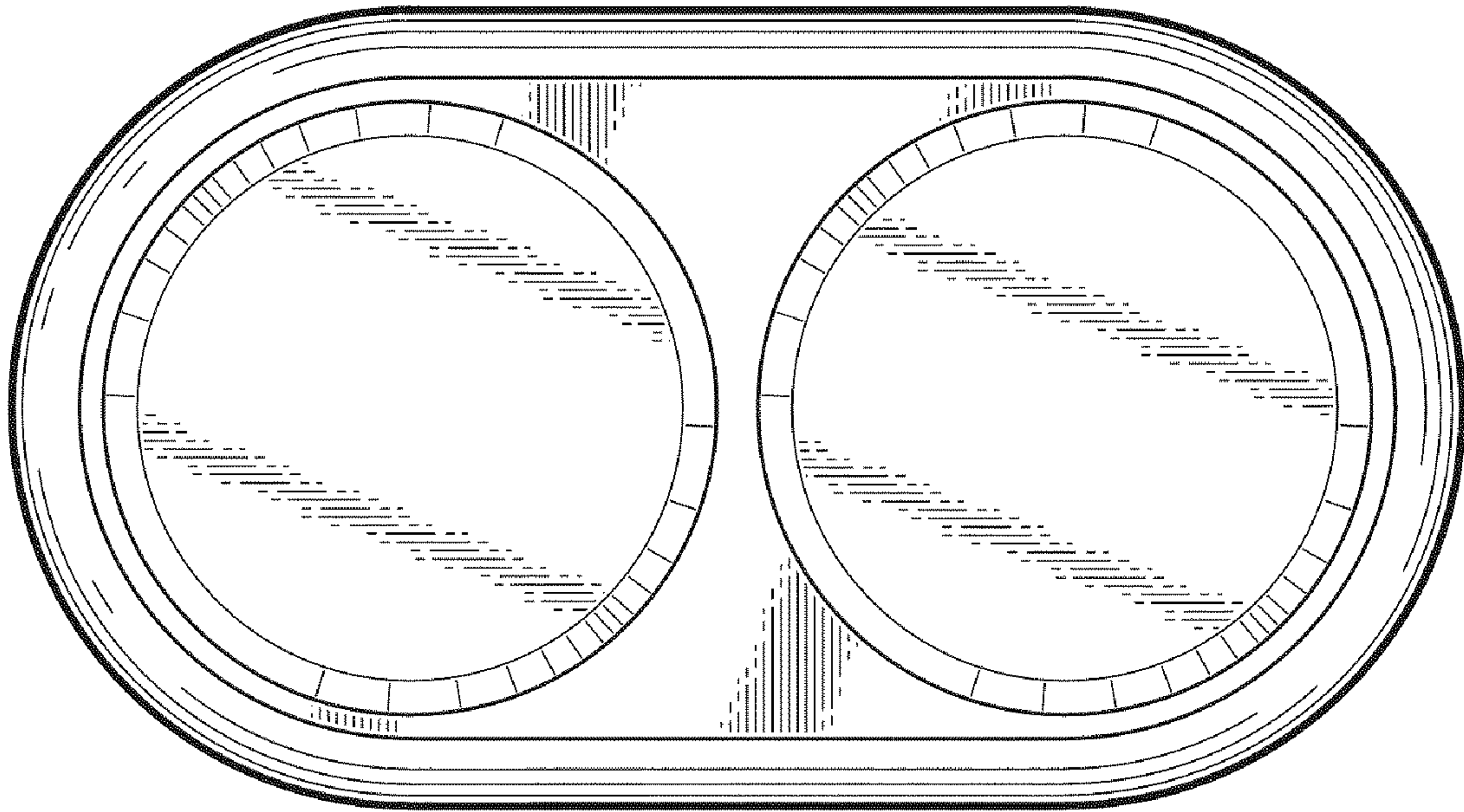
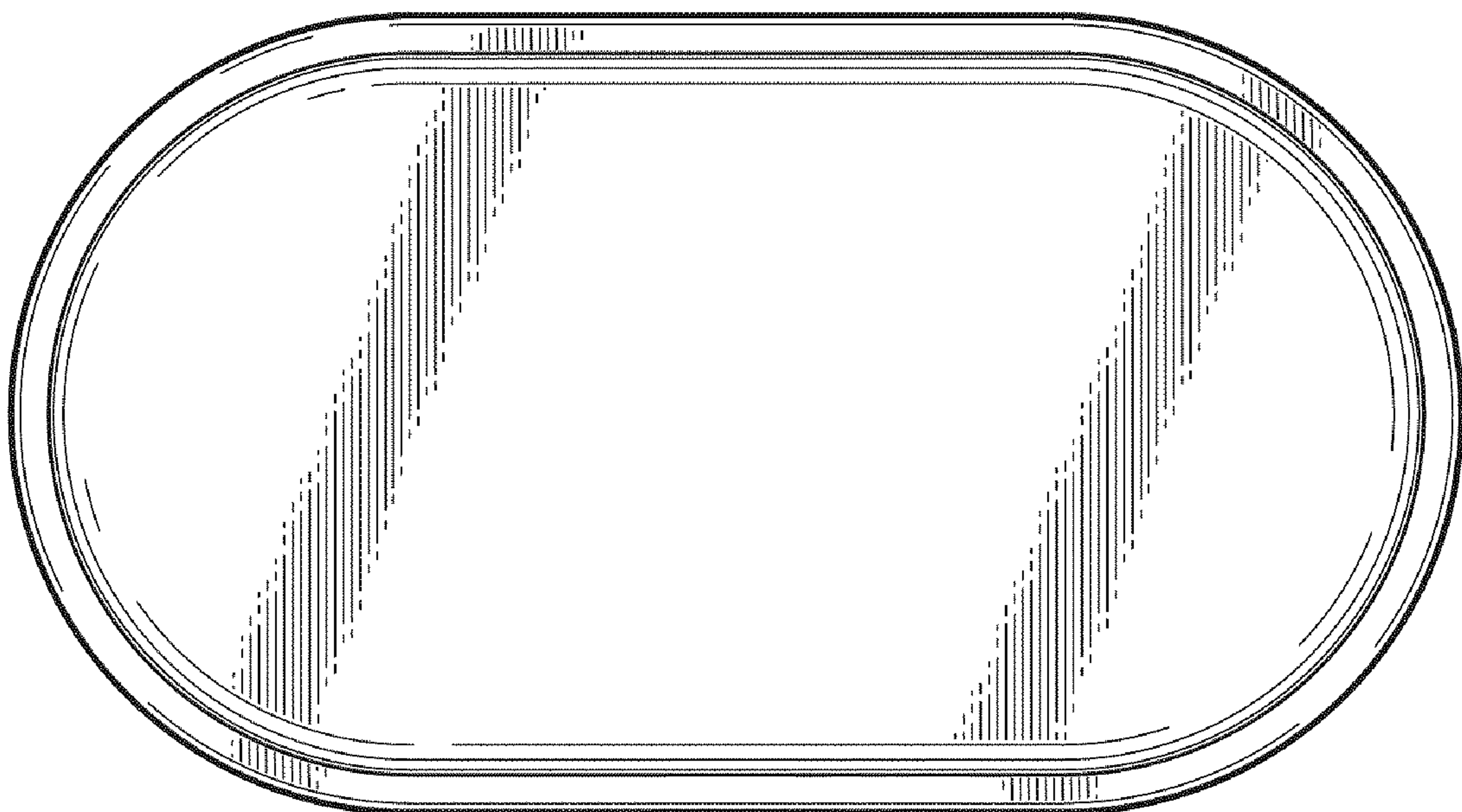


FIG. 4





**FIG. 5**



**FIG. 6**