



US00D650904S

(12) **United States Design Patent**
Kearsley

(10) **Patent No.:** **US D650,904 S**

(45) **Date of Patent:** **** Dec. 20, 2011**

(54) **MEDICAL LIGHT**

(75) Inventor: **Paul Kearsley**, Littlehampton (GB)

(73) Assignee: **Bridgestone Medical Limited**,
Abingdon, Oxon (GB)

(**) Term: **14 Years**

(21) Appl. No.: **29/379,806**

(22) Filed: **Nov. 24, 2010**

(30) **Foreign Application Priority Data**

May 28, 2010 (EP) 001218085-0001

(51) **LOC (9) Cl.** **24-02**

(52) **U.S. Cl.** **D24/133**

(58) **Field of Classification Search** D24/133,
D24/136, 137, 138, 139, 140, 150, 151, 152,
D24/156, 157; D26/37, 38, 46, 48, 50; 600/249;
362/157, 158, 171-174, 183-208

See application file for complete search history.

(56) **References Cited**

U.S. PATENT DOCUMENTS

D245,515 S * 8/1977 Troutner et al. D24/135
D422,081 S * 3/2000 Wolff D24/136

D524,940 S * 7/2006 Costa et al. D24/134
D532,514 S * 11/2006 Schmal D24/133
D591,438 S * 4/2009 Hama et al. D26/37
7,631,981 B2 * 12/2009 Miller et al. 362/119
D634,428 S * 3/2011 Anderson et al. D24/152
2004/0166464 A1 * 8/2004 Schneider 433/29

* cited by examiner

Primary Examiner — Bridget L Eland

(74) *Attorney, Agent, or Firm* — Patterson & Sheridan, LLP

(57) **CLAIM**

The ornamental design for a medical light, as shown and described.

DESCRIPTION

FIG. 1 is a top view of a medical light showing my new design;

FIG. 2 is a perspective view thereof;

FIG. 3 is a front view thereof;

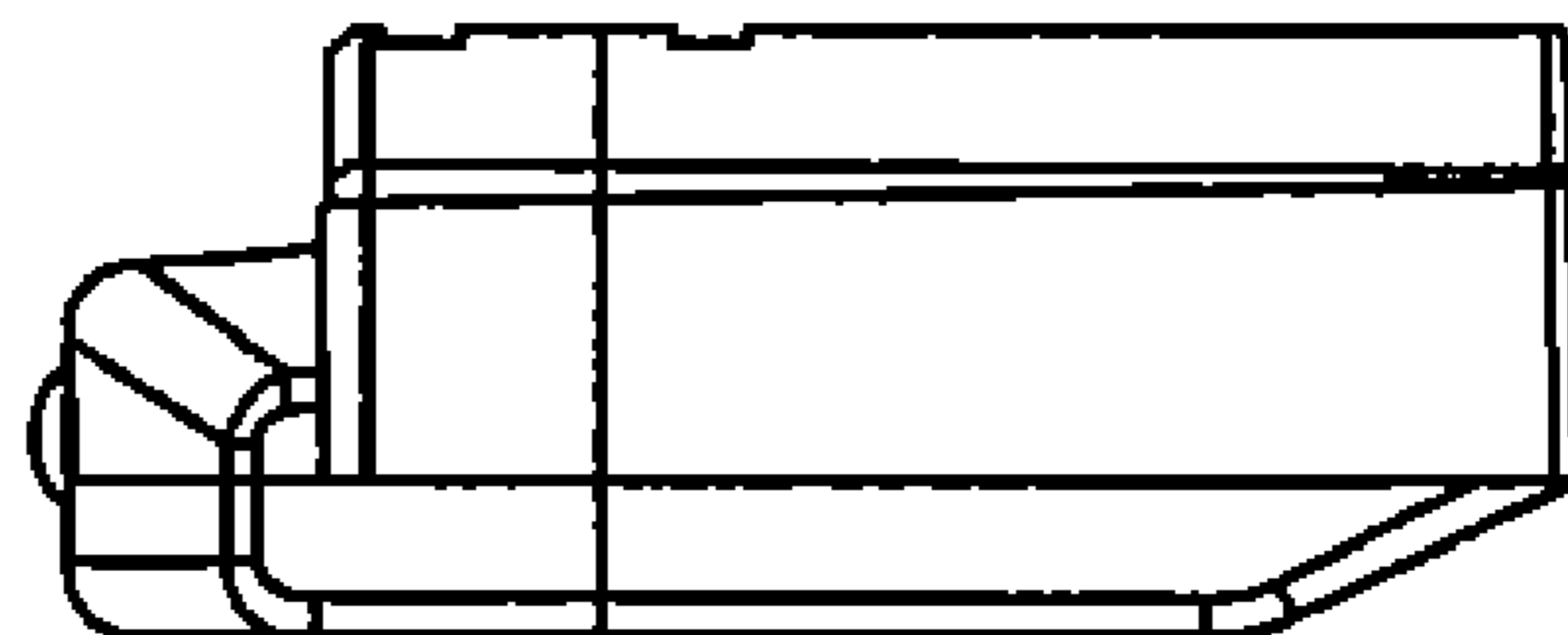
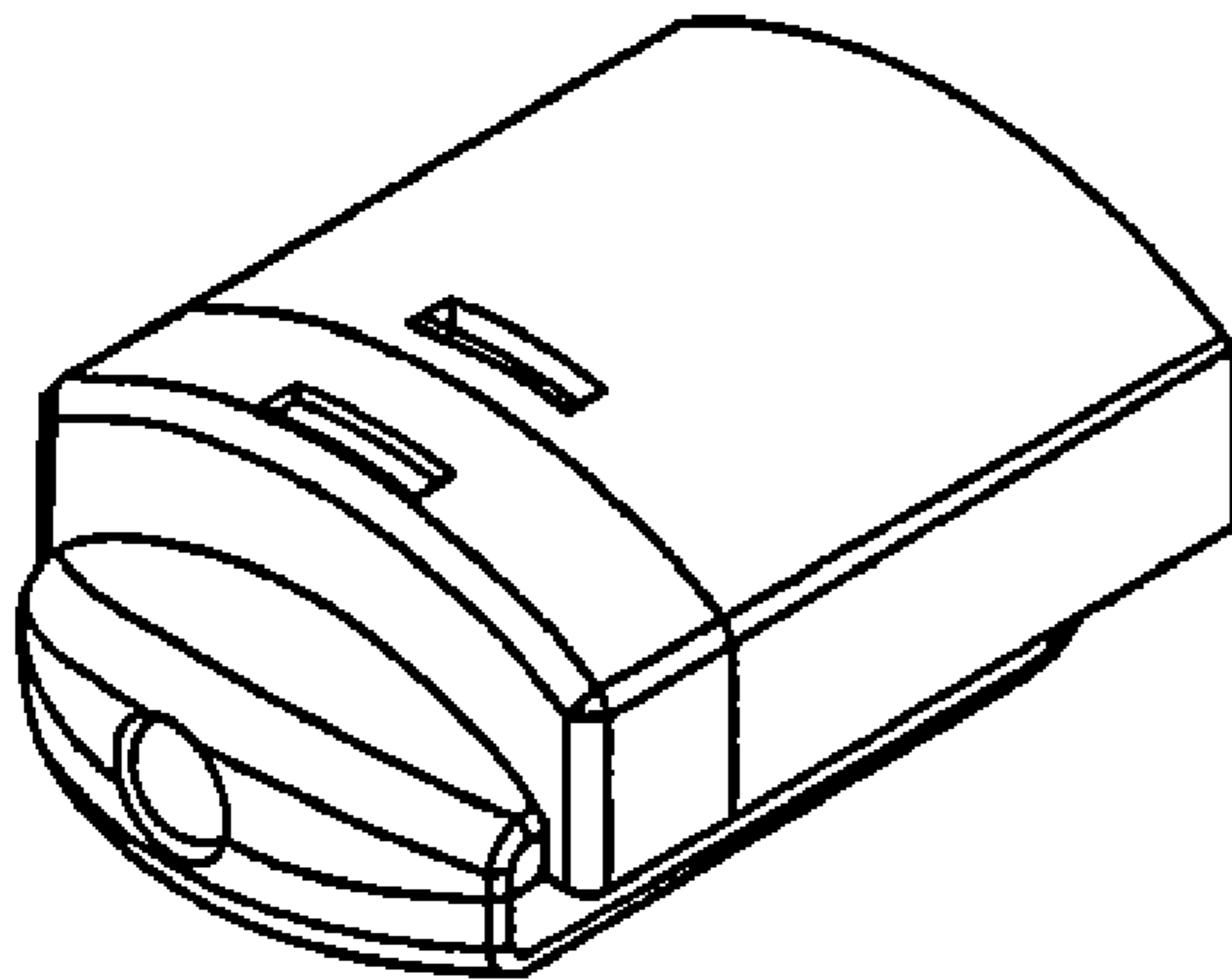
FIG. 4 is a side view thereof, the opposite side being identical;

FIG. 5 is a rear view thereof; and,

FIG. 6 is bottom view thereof.

The broken lines are directed to environment and are for illustrative purposes only; the broken lines form no part of the claimed design.

1 Claim, 1 Drawing Sheet



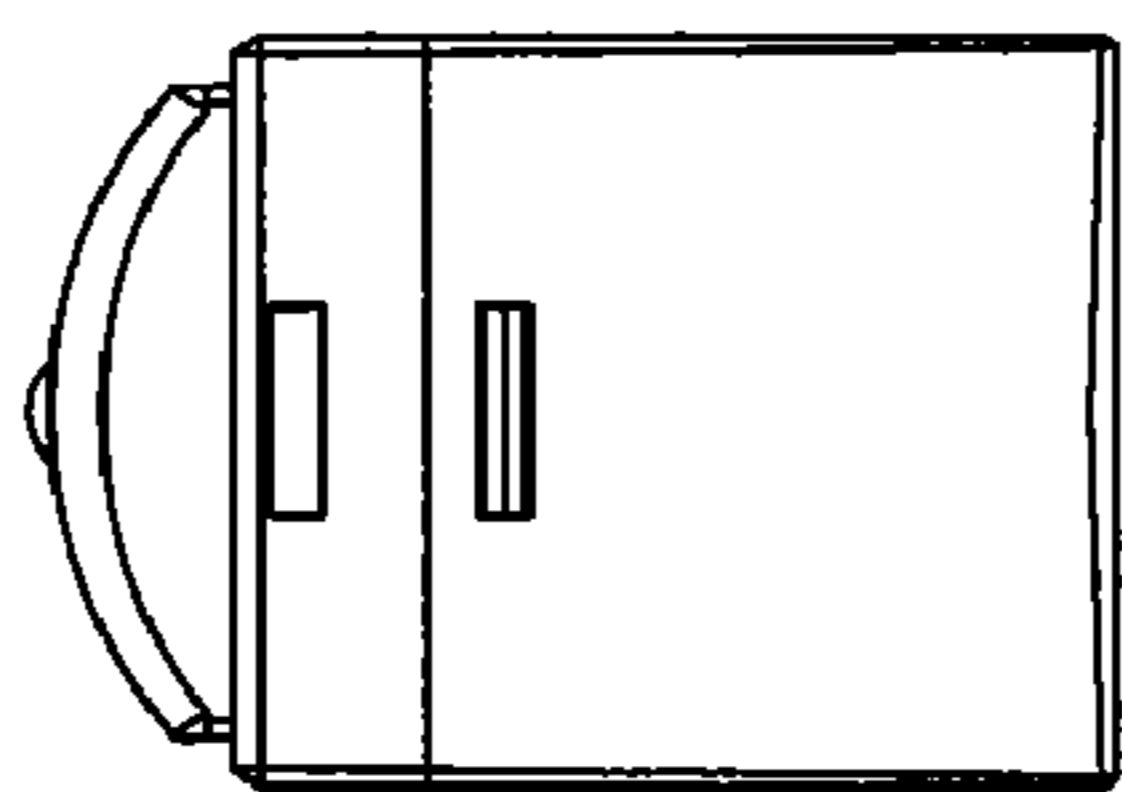


FIG. 1

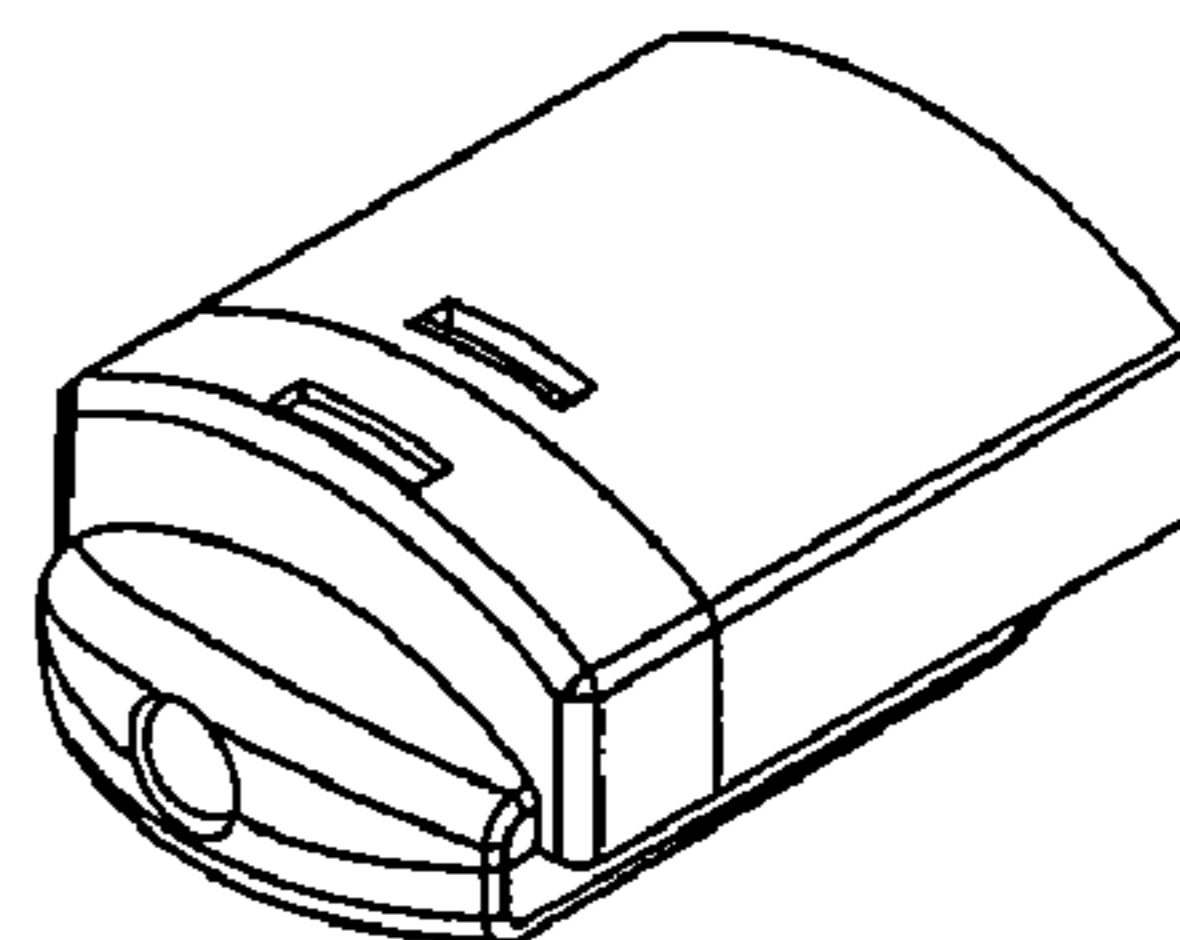


FIG. 2

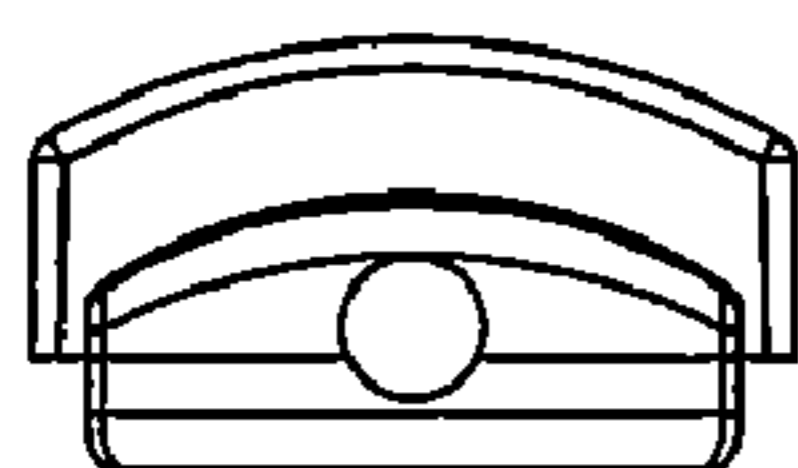


FIG. 3

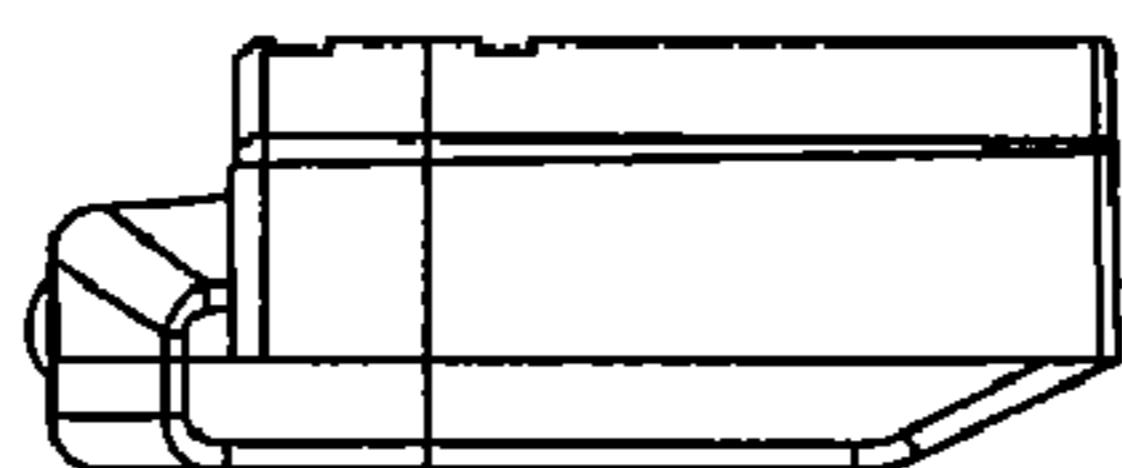


FIG. 4



FIG. 5

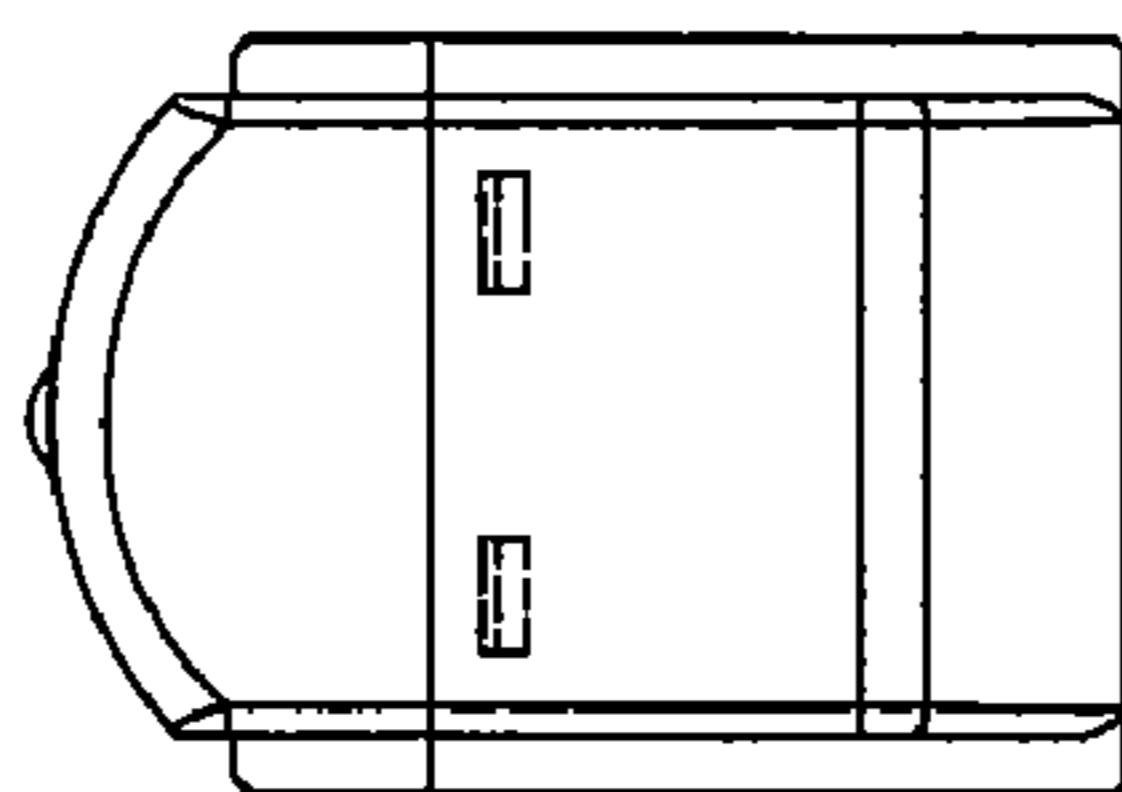


FIG. 6

UNITED STATES PATENT AND TRADEMARK OFFICE
CERTIFICATE OF CORRECTION

PATENT NO. : D650,904 S
APPLICATION NO. : 29/379806
DATED : December 20, 2011
INVENTOR(S) : Kearsley

Page 1 of 1

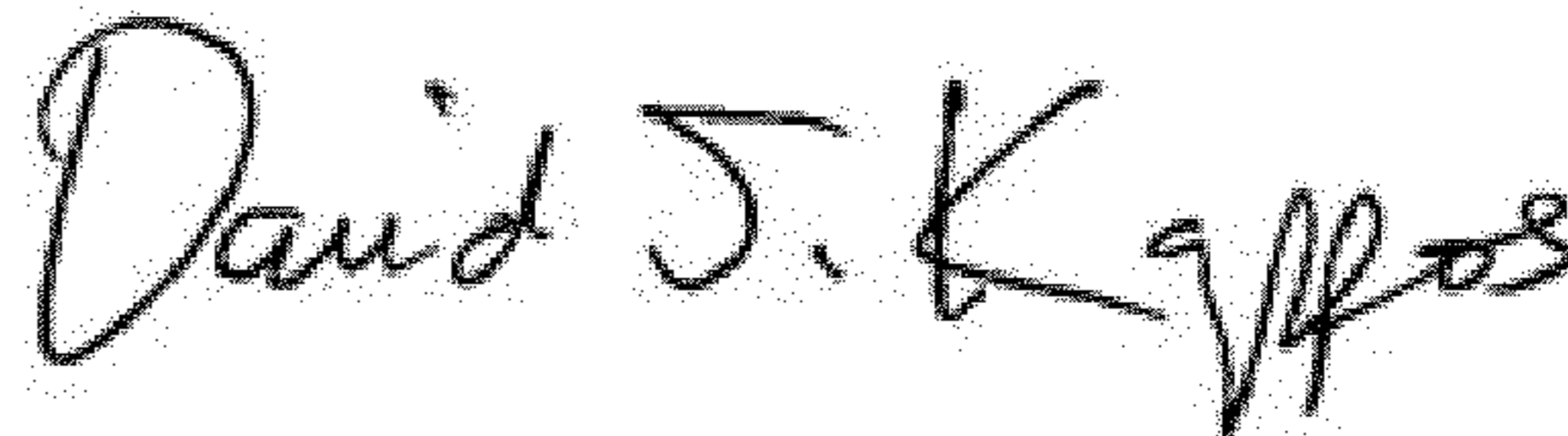
It is certified that error appears in the above-identified patent and that said Letters Patent is hereby corrected as shown below:

On the title page, item [73]:

In the Assignee:

Please delete "Bridgestone" and insert --BridgeMaster-- therefor.

Signed and Sealed this
Twenty-ninth Day of May, 2012



David J. Kappos
Director of the United States Patent and Trademark Office