



US00D650903S

(12) **United States Design Patent**
Kosinski et al.

(10) **Patent No.:** **US D650,903 S**

(45) **Date of Patent:** **** *Dec. 20, 2011**

(54) **SYRINGE BARREL**

(75) Inventors: **Anthony J. Kosinski**, New Providence, NJ (US); **Adam Zerda**, Oak Ridge, NJ (US); **Girum Yemane Tekeste**, Hackensack, NJ (US)

(73) Assignee: **Becton, Dickinson and Company**, Franklin Lakes, NJ (US)

(**) Term: **14 Years**

(21) Appl. No.: **29/365,537**

(22) Filed: **Jul. 9, 2010**

(51) **LOC (9) Cl.** **24-02**

(52) **U.S. Cl.** **D24/130**

(58) **Field of Classification Search** D24/112, D24/113, 114, 130; 604/218, 232, 224, 228, 604/110, 195; 222/390
See application file for complete search history.

2007/0073225	A1*	3/2007	Lee et al.	604/110
2007/0129674	A1*	6/2007	Liversidge	604/110
2007/0135764	A1*	6/2007	Chen	604/110
2007/0179452	A1	8/2007	Kosinski	
2008/0021414	A1	1/2008	Alheidt	
2008/0221531	A1	9/2008	Alheidt et al.	
2008/0262439	A1	10/2008	Alheidt	
2008/0300550	A1	12/2008	Schiller et al.	
2008/0300551	A1	12/2008	Schiller et al.	
2009/0062736	A1*	3/2009	Jan	604/110
2010/0076370	A1	3/2010	Howlett et al.	
2010/0274190	A1*	10/2010	Wayman et al.	604/110
2010/0286609	A1*	11/2010	Mahurkar	604/110
2010/0286610	A1*	11/2010	Chang	604/110

* cited by examiner

Primary Examiner — T. Chase Nelson

Assistant Examiner — Eric Goodman

(74) *Attorney, Agent, or Firm* — Jeanne P. Lukasavage

(57) **CLAIM**

The ornamental designs for a syringe barrel, as shown and described.

(56) **References Cited**

U.S. PATENT DOCUMENTS

D420,129	S	*	2/2000	McMahon	D24/130
D460,820	S	*	7/2002	Niedospial, Jr.	D24/130
D461,243	S	*	8/2002	Niedospial, Jr.	D24/130
7,276,049	B2	*	10/2007	Bang et al.	604/198
D570,476	S	*	6/2008	Sudo	D24/130
D575,870	S	*	8/2008	Sudo	D24/130
2004/0087910	A1	*	5/2004	Nemoto	604/232
2005/0148932	A1	*	7/2005	Rimlinger et al.	604/110
2006/0247582	A1		11/2006	Alheidt et al.	

DESCRIPTION

FIG. 1 is a perspective view of a syringe barrel; FIG. 2 is a side view of a syringe barrel; FIG. 3 is a side view of a syringe barrel; FIG. 4 is a top view of a syringe barrel; and, FIG. 5 is a bottom view of a syringe barrel. The broken lines shown in FIGS. 4 and 5 are for illustrating portions of the article and form no part of the claimed design.

1 Claim, 3 Drawing Sheets

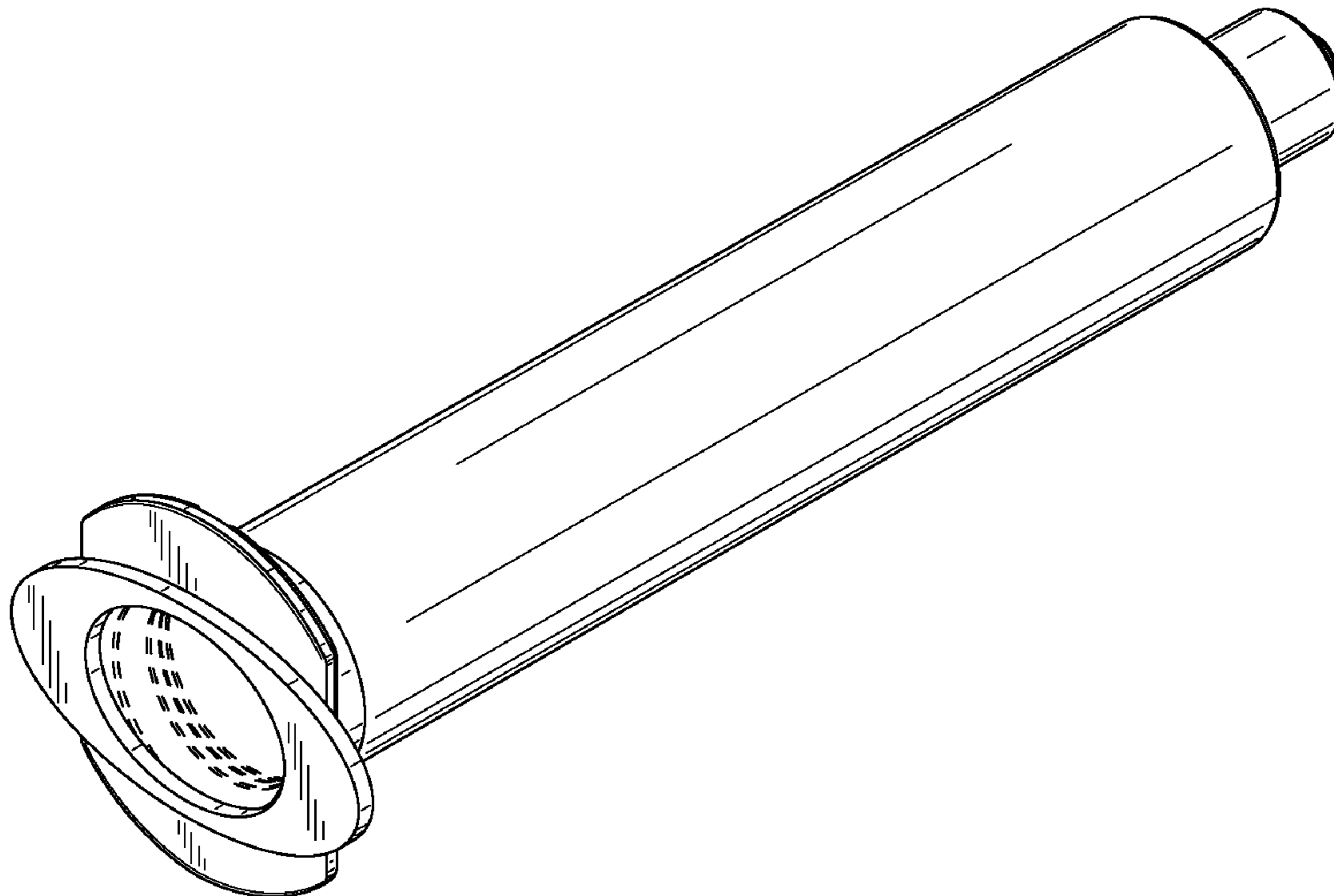


FIG. 1

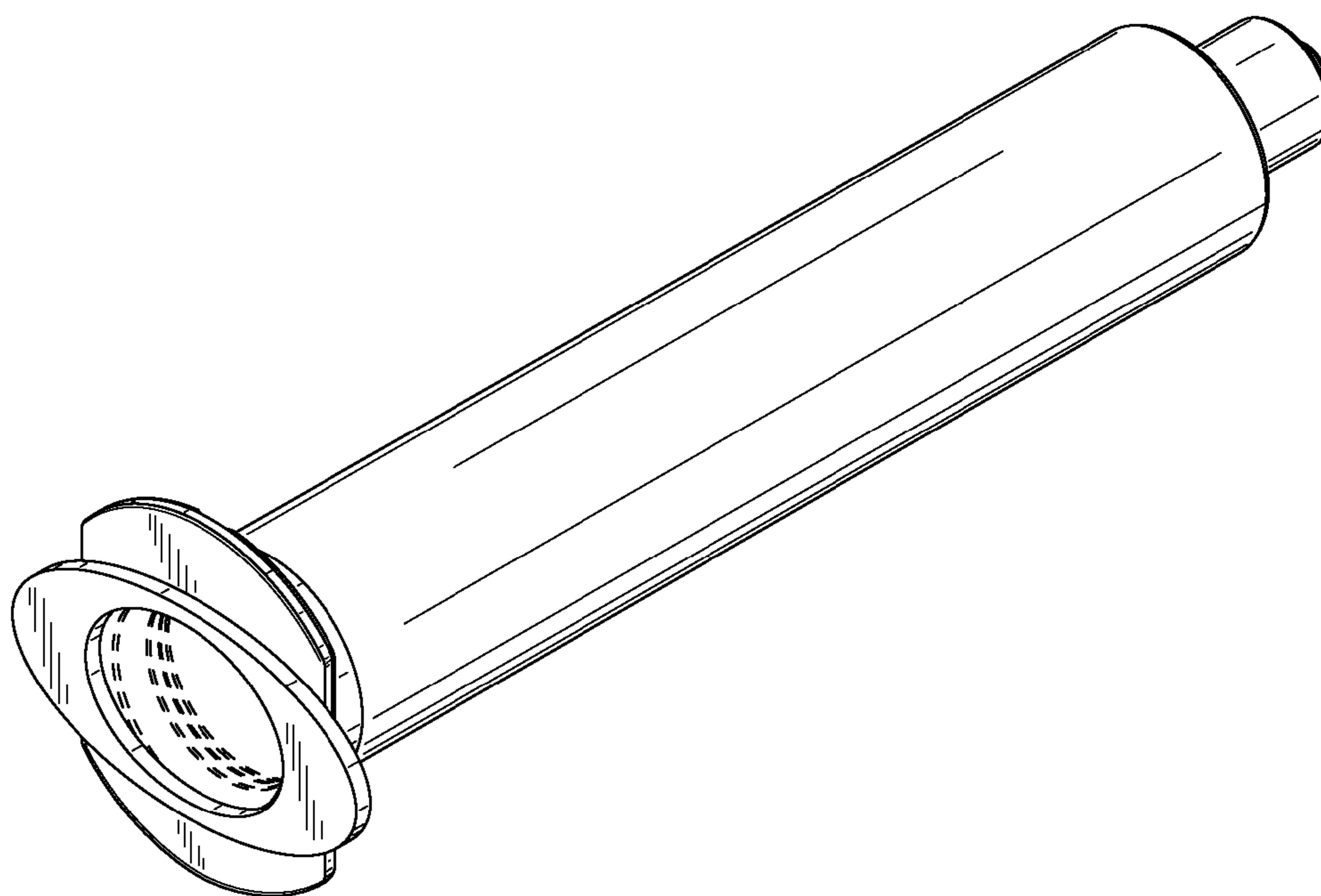


FIG. 2

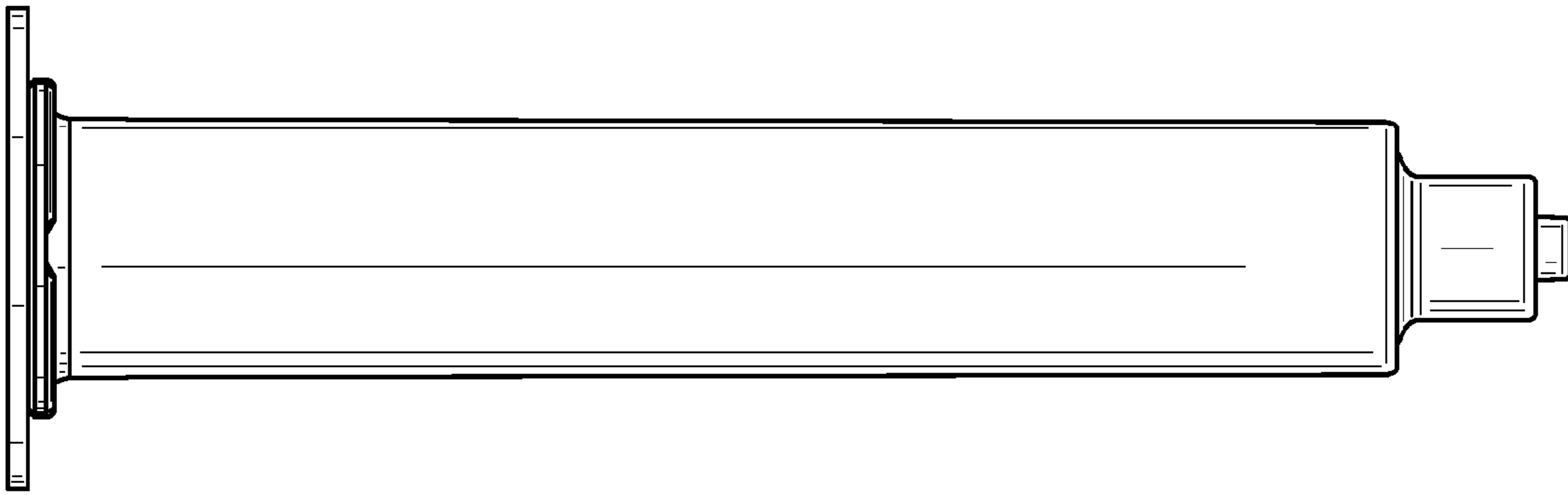


FIG. 3

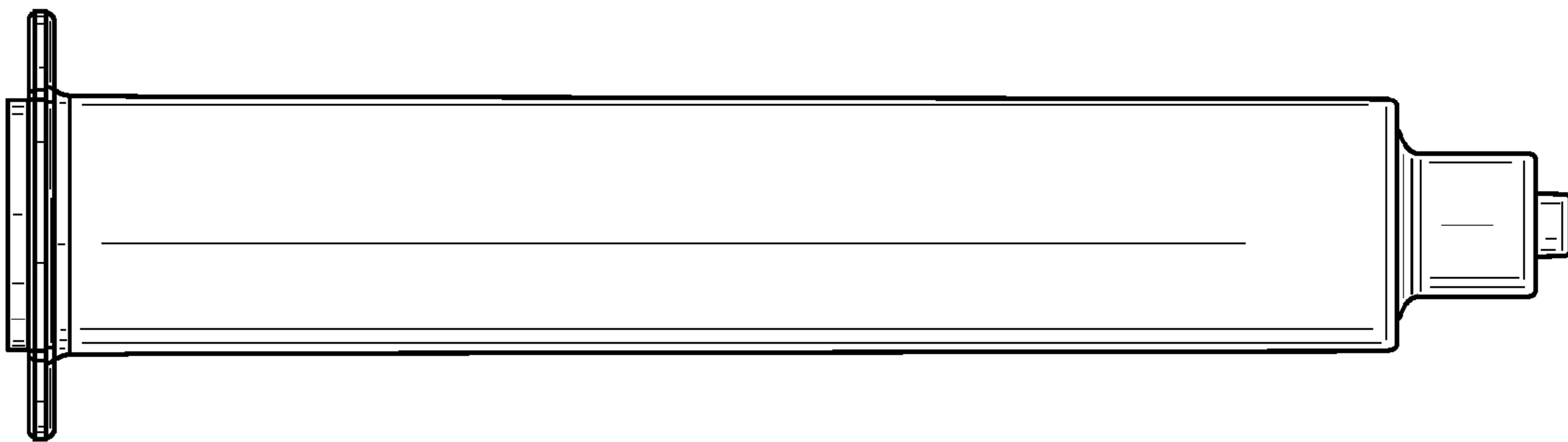


FIG. 4

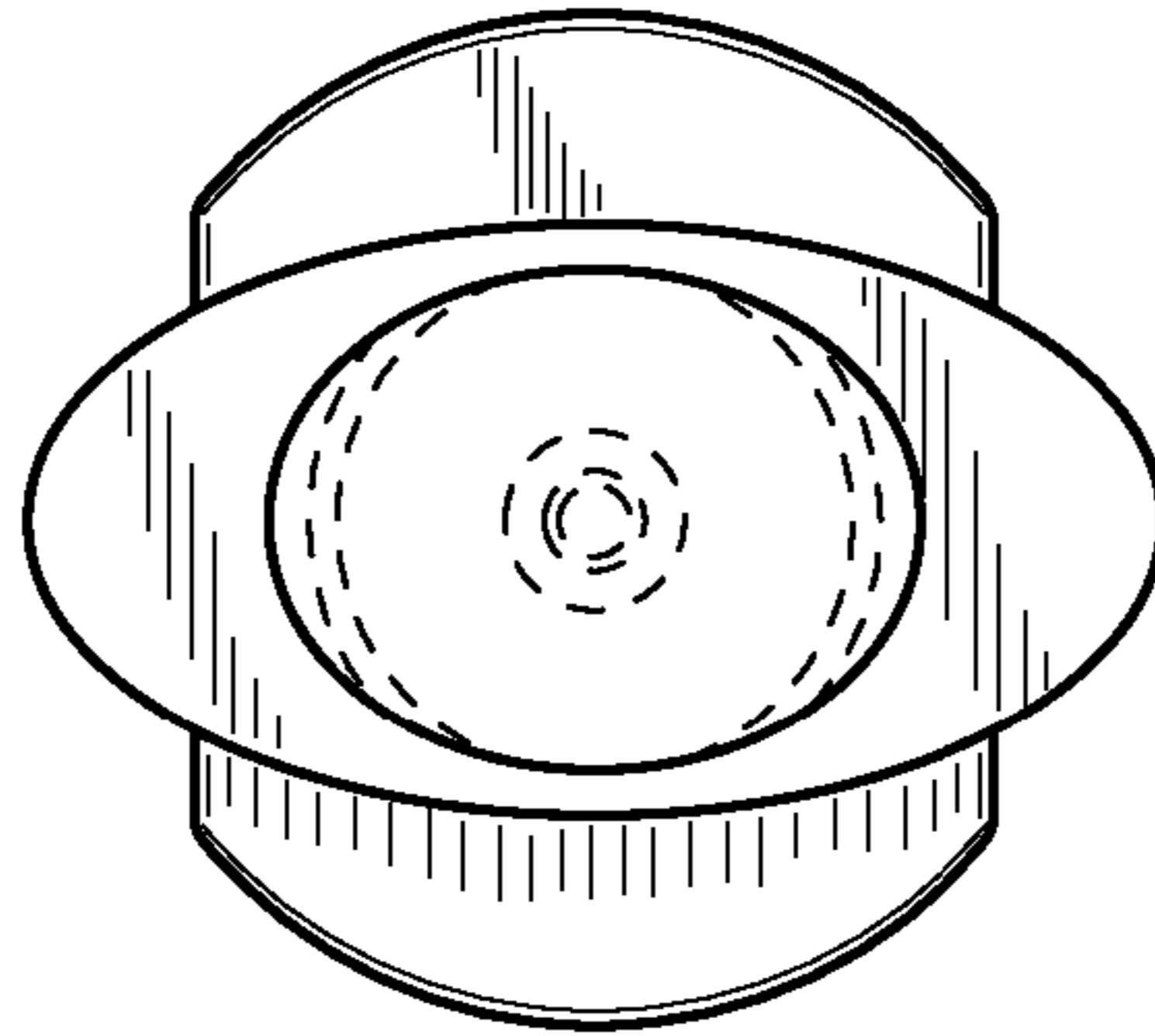


FIG. 5

