



US00D650902S

(12) **United States Design Patent**
Lopez, Jr.

(10) **Patent No.:** **US D650,902 S**

(45) **Date of Patent:** **** Dec. 20, 2011**

(54) **URINATION FUNNEL FOR WOMEN**

(76) **Inventor:** **Teodoro Lopez, Jr., Weehawken, NJ**
(US)

(**) **Term:** **14 Years**

(21) **Appl. No.:** **29/347,481**

(22) **Filed:** **Feb. 4, 2010**

(51) **LOC (9) Cl.** **24-04**

(52) **U.S. Cl.** **D24/122**

(58) **Field of Classification Search** D24/122,
D24/123, 121, 224; D23/274, 302, 295,
D23/309, 200; 4/144.1-144.4, 459, 460;
604/329, 317, 318, 334; 600/573, 574; 422/102;
D7/700

See application file for complete search history.

(56) **References Cited**

U.S. PATENT DOCUMENTS

2,690,568	A	10/1954	Willis	
2,878,486	A *	3/1959	Bartlett et al.	4/144.4
3,572,318	A *	3/1971	Garland	600/574
4,681,573	A	7/1987	McGovern et al.	
4,751,751	A *	6/1988	Reno	4/144.4
D302,042	S *	7/1989	McGovern et al.	D24/122
5,333,330	A	8/1994	Murtaugh	
5,408,703	A *	4/1995	Cicio	4/144.2
D374,281	S *	10/1996	Markles	D24/122
D437,051	S *	1/2001	Hernandez-Fumero	D24/122
D447,232	S *	8/2001	Hernandez-Fumero	D24/122
6,327,716	B1 *	12/2001	Kaus	4/144.4

6,434,757	B1	8/2002	Filsouf	
6,460,200	B1 *	10/2002	Mottale et al.	4/144.4
6,719,741	B2 *	4/2004	Ching	604/329
D495,798	S	9/2004	Gugliotta	
D499,482	S *	12/2004	Gugliotta	D24/122
D527,101	S *	8/2006	Fernandez	D24/122

OTHER PUBLICATIONS

Dispsable Urination Funnel, www.magic-cone.com/
What%20is%20the%20magic%20cone.htm, 1 page, printed from
the Internet on Oct. 25, 2004.

* cited by examiner

Primary Examiner — David Muller

(74) *Attorney, Agent, or Firm* — Richard C. Litman

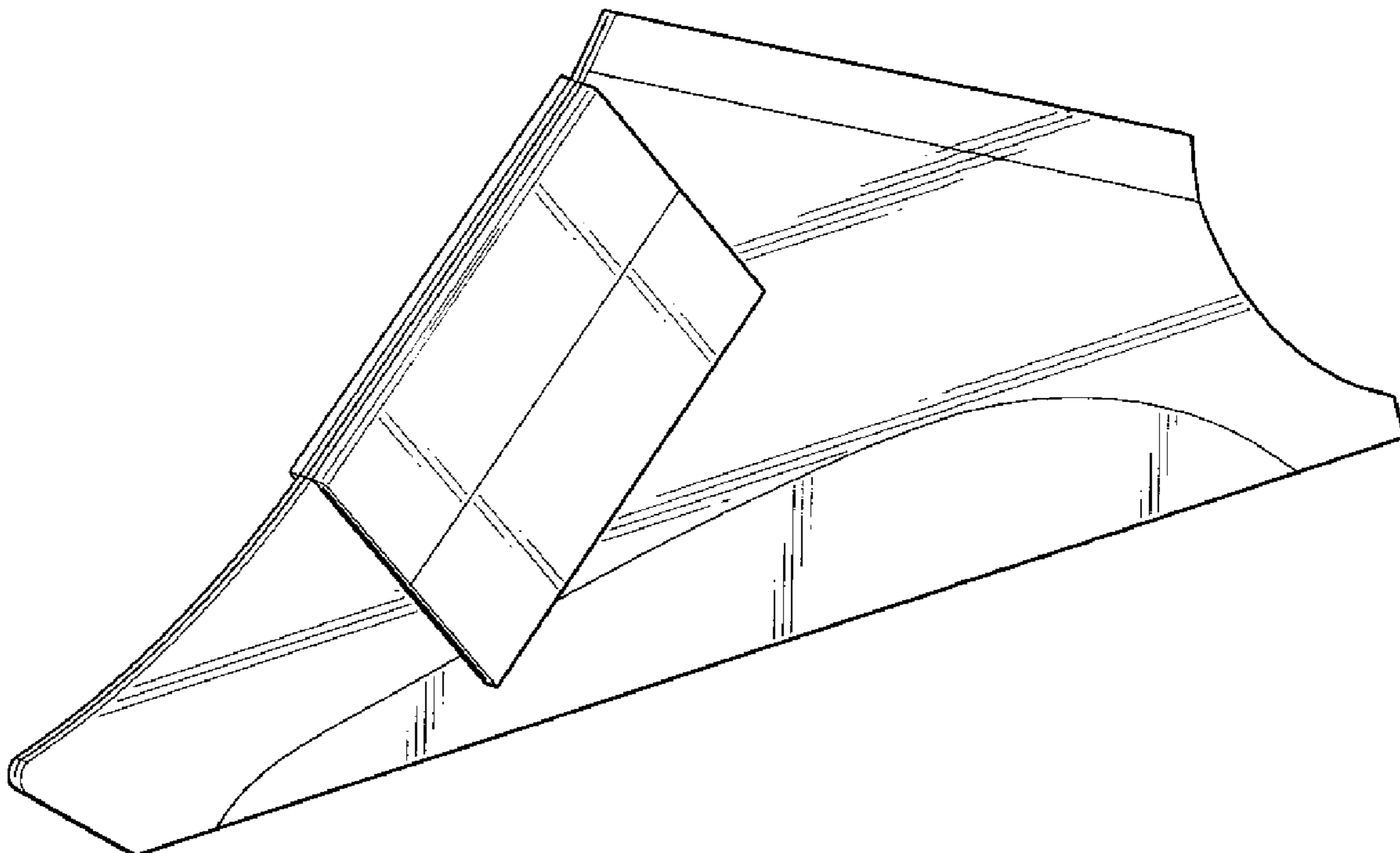
(57) **CLAIM**

The ornamental design for a urination funnel for women, as
shown and described.

DESCRIPTION

FIG. 1 is a perspective view of a urination funnel for women
showing my new design;
FIG. 2 is a top plan view thereof;
FIG. 3 is a bottom plan view thereof;
FIG. 4 is a right side elevation view thereof, with the left side
being a mirror image;
FIG. 5 is a front elevation view thereof;
FIG. 6 is a rear elevation view thereof; and,
FIG. 7 is perspective view thereof showing the invention in
use.

1 Claim, 5 Drawing Sheets



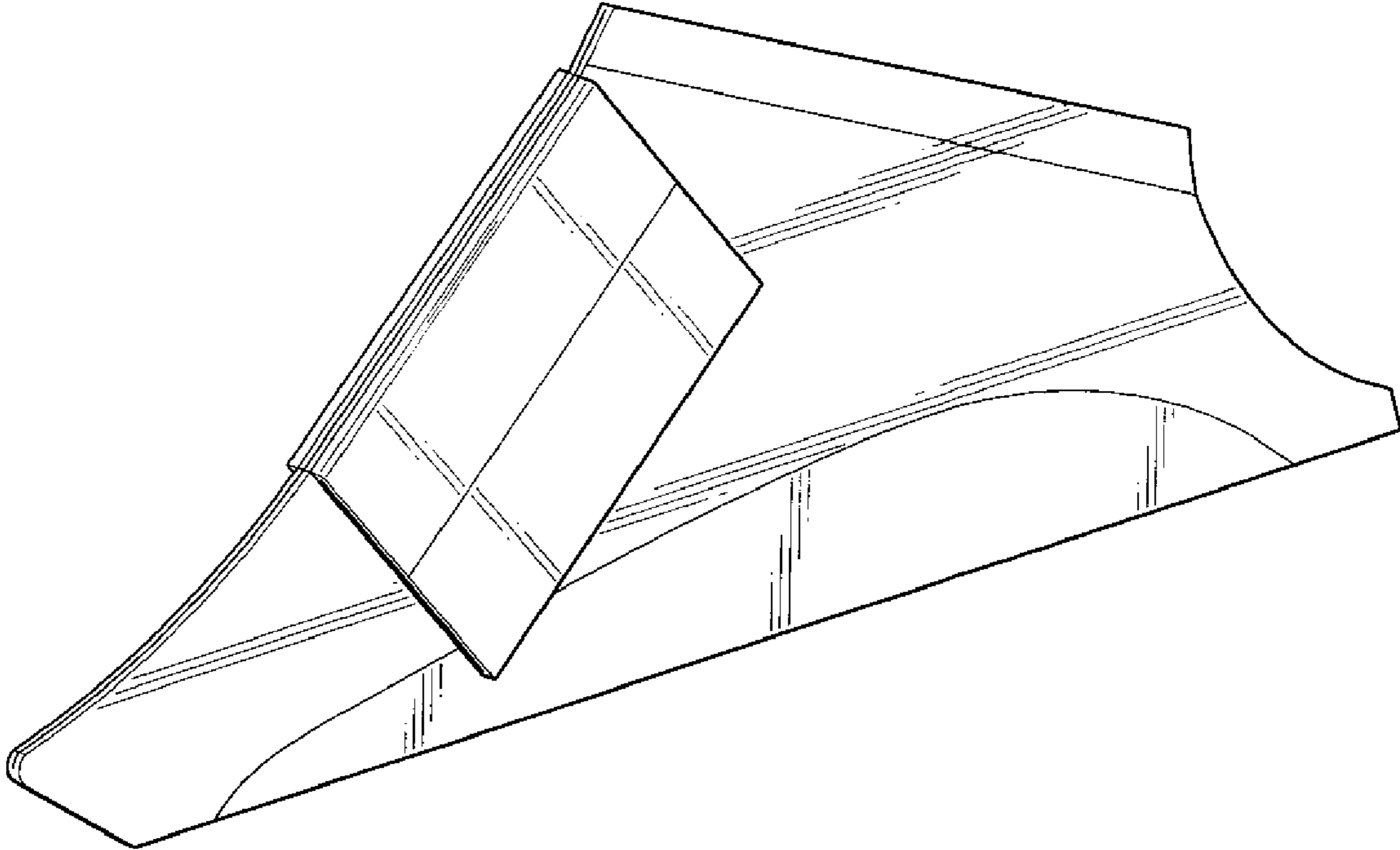


Fig. 1



Fig. 2



Fig. 3

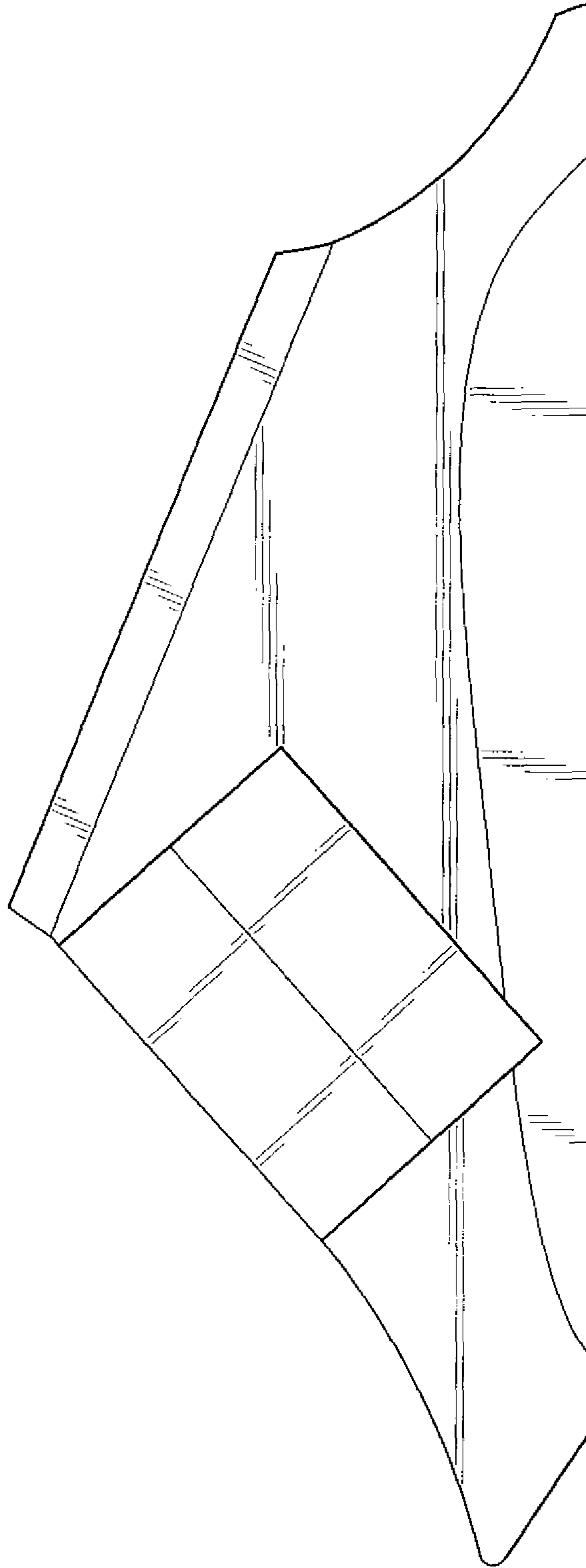


Fig. 4



Fig. 5



Fig. 6

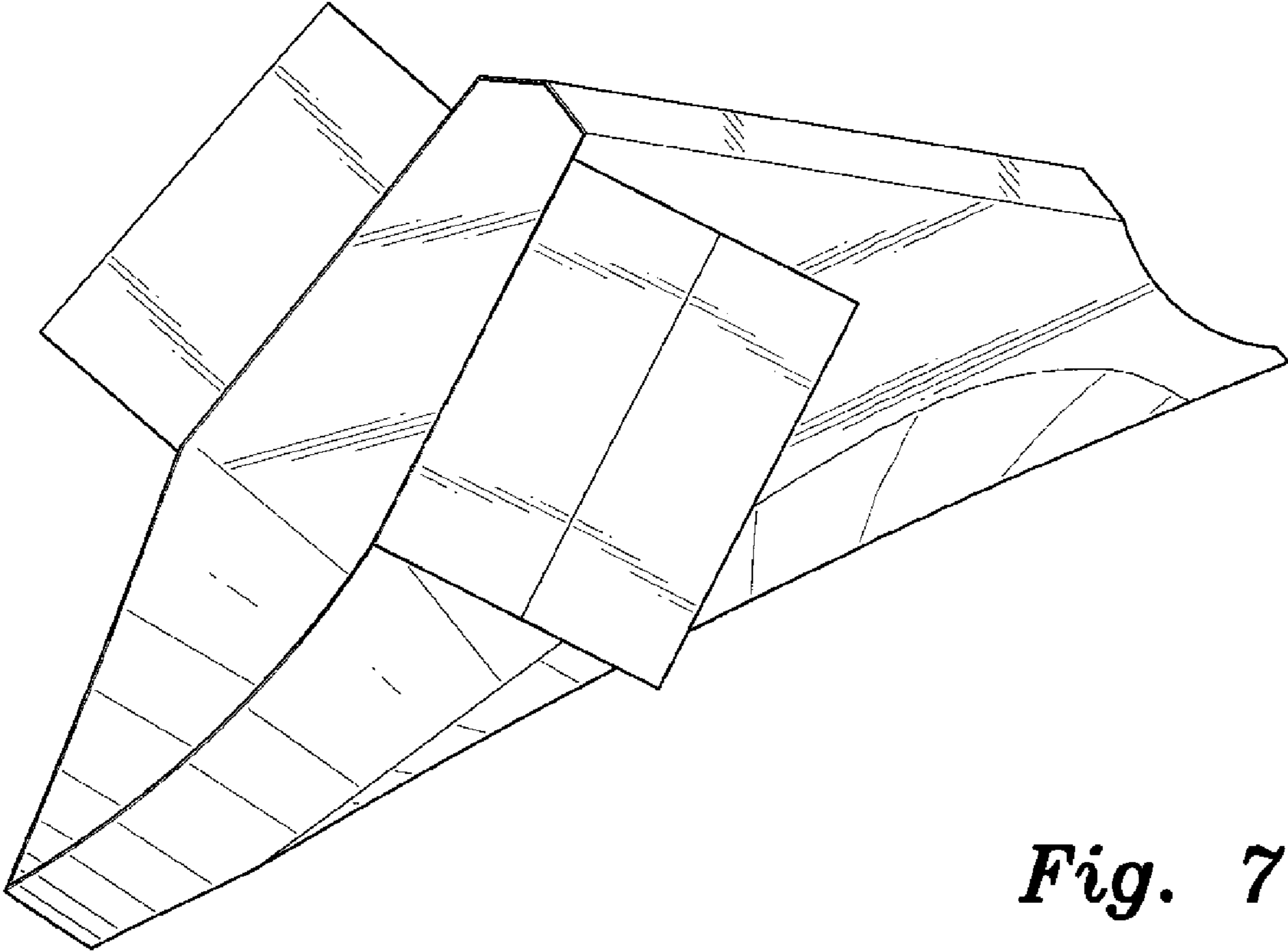


Fig. 7