



US00D650901S

(12) **United States Design Patent**  
**Ghosh**

(10) **Patent No.:** **US D650,901 S**

(45) **Date of Patent:** **\*\* Dec. 20, 2011**

(54) **ENDOTRACHEAL TUBE**

(76) Inventor: **Sunit Ghosh**, Cambridge (GB)

(\*\*) Term: **14 Years**

(21) Appl. No.: **29/268,031**

(22) Filed: **Oct. 27, 2006**

(30) **Foreign Application Priority Data**

Aug. 8, 2006 (EM) ..... 000575071

(51) **LOC (9) Cl.** ..... **24-02**

(52) **U.S. Cl.** ..... **D24/115**

(58) **Field of Classification Search** ..... D24/110,  
D24/110.4, 110.5, 111, 112, 115, 128, 164;  
604/100.01, 95.04, 97.03; 606/192, 194;  
128/200.26, 207.14, 207.15

See application file for complete search history.

(56) **References Cited**

**U.S. PATENT DOCUMENTS**

3,508,554 A \* 4/1970 Sheridan ..... 604/523  
3,731,691 A \* 5/1973 Chen ..... 128/207.15  
4,327,720 A \* 5/1982 Bronson et al. .... 128/207.15  
5,067,497 A \* 11/1991 Greear et al. .... 128/207.15  
D328,128 S \* 7/1992 Fox et al. .... D24/112

5,253,643 A \* 10/1993 Price ..... 128/207.14  
D398,989 S \* 9/1998 Ashlin ..... D24/115  
6,732,734 B2 \* 5/2004 Ogushi et al. .... 128/207.15  
2008/0078406 A1 \* 4/2008 Clayton et al. .... 128/207.15

\* cited by examiner

*Primary Examiner* — Rashida Johnson

(74) *Attorney, Agent, or Firm* — Joseph T. Leone, Esq.;  
DeWitt Ross & Stevens S.C.

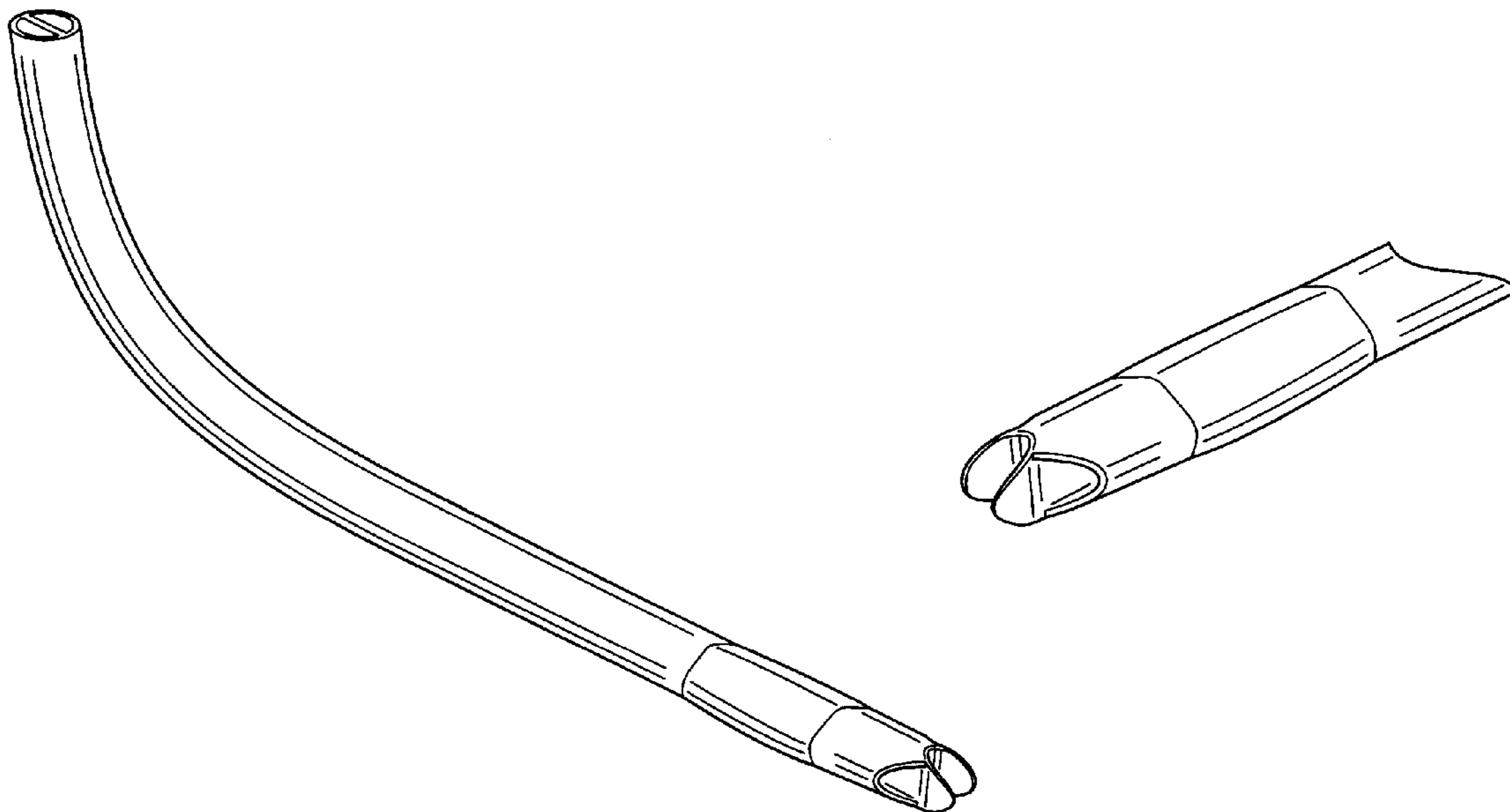
(57) **CLAIM**

The ornamental design for an endotracheal tube, as shown and described.

**DESCRIPTION**

FIG. 1 is a perspective view of an endotracheal tube showing my new design;  
FIG. 2 is a right side perspective, enlarged, partial view of the lower end of the endotracheal tube as depicted in FIG. 1;  
FIG. 3 is a right side elevational, enlarged, partial view of the lower end of the endotracheal tube as depicted in FIG. 2, the left side being a mirror image thereof;  
FIG. 4 is a top plan, enlarged, partial view of the lower end of the endotracheal tube as depicted in FIG. 2, the bottom plan being a mirror image thereof; and,  
FIG. 5 is a front elevational, enlarged, partial view of the lower end of the endotracheal tube as depicted in FIG. 2.

**1 Claim, 2 Drawing Sheets**



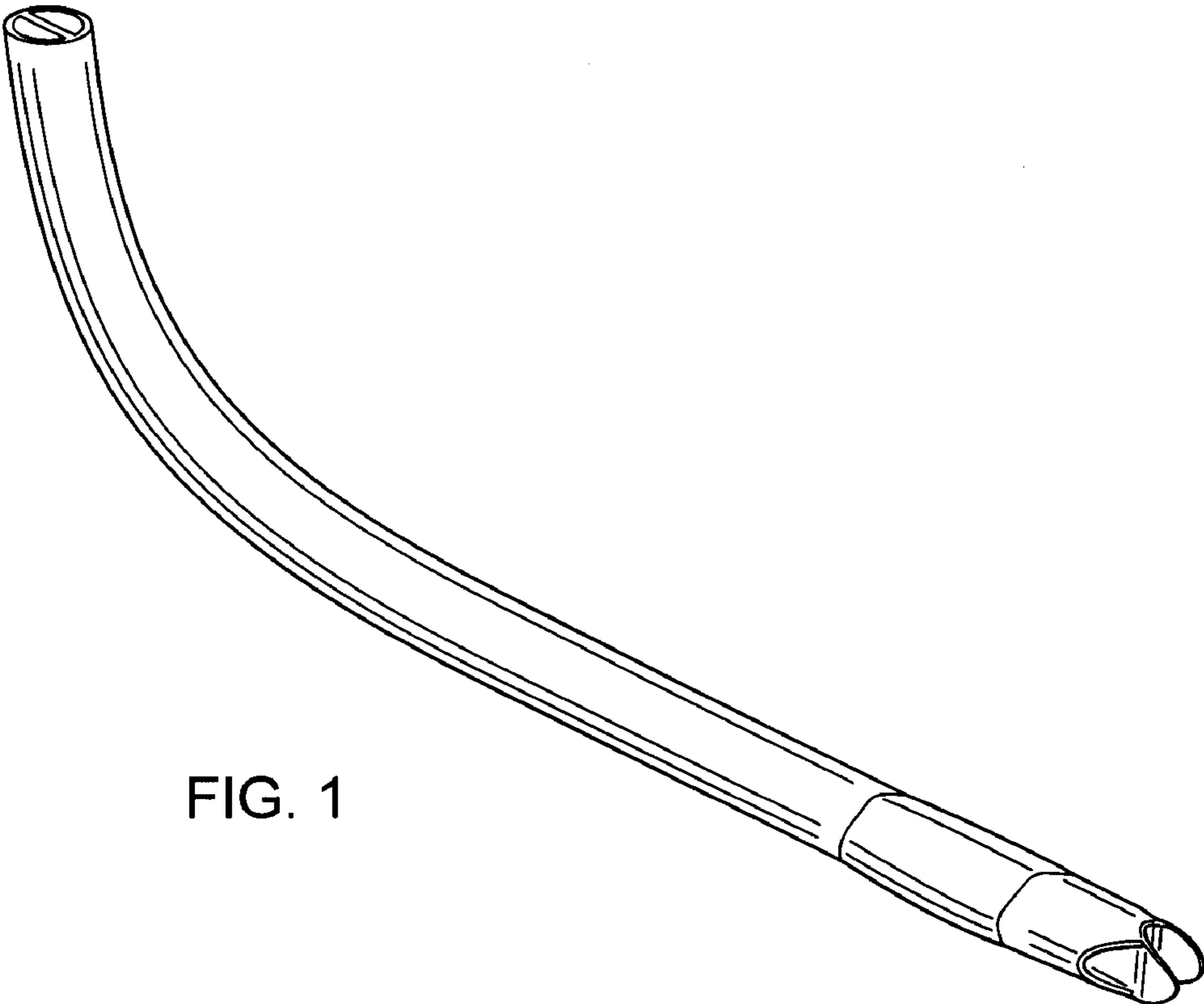


FIG. 1

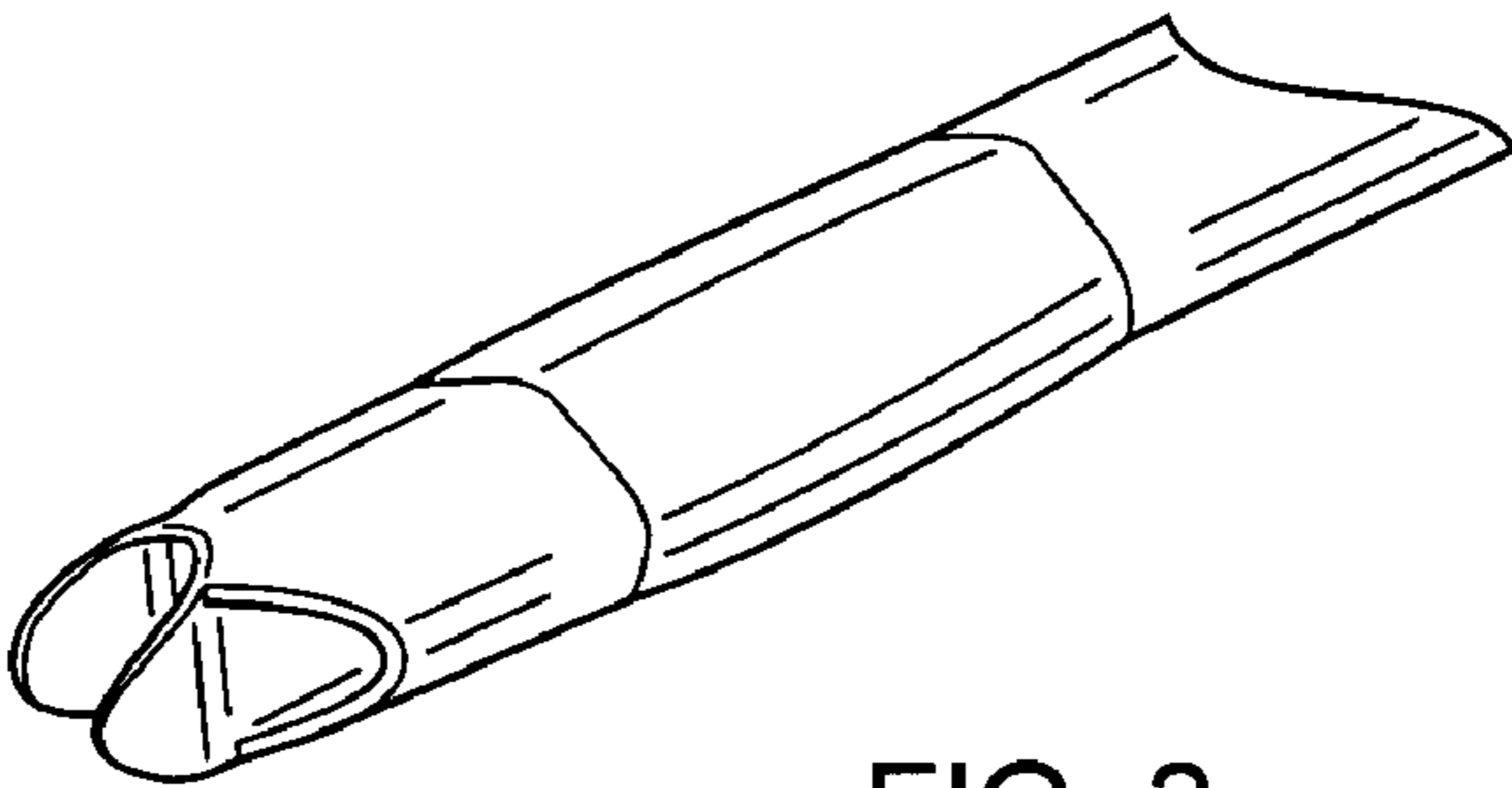


FIG. 2

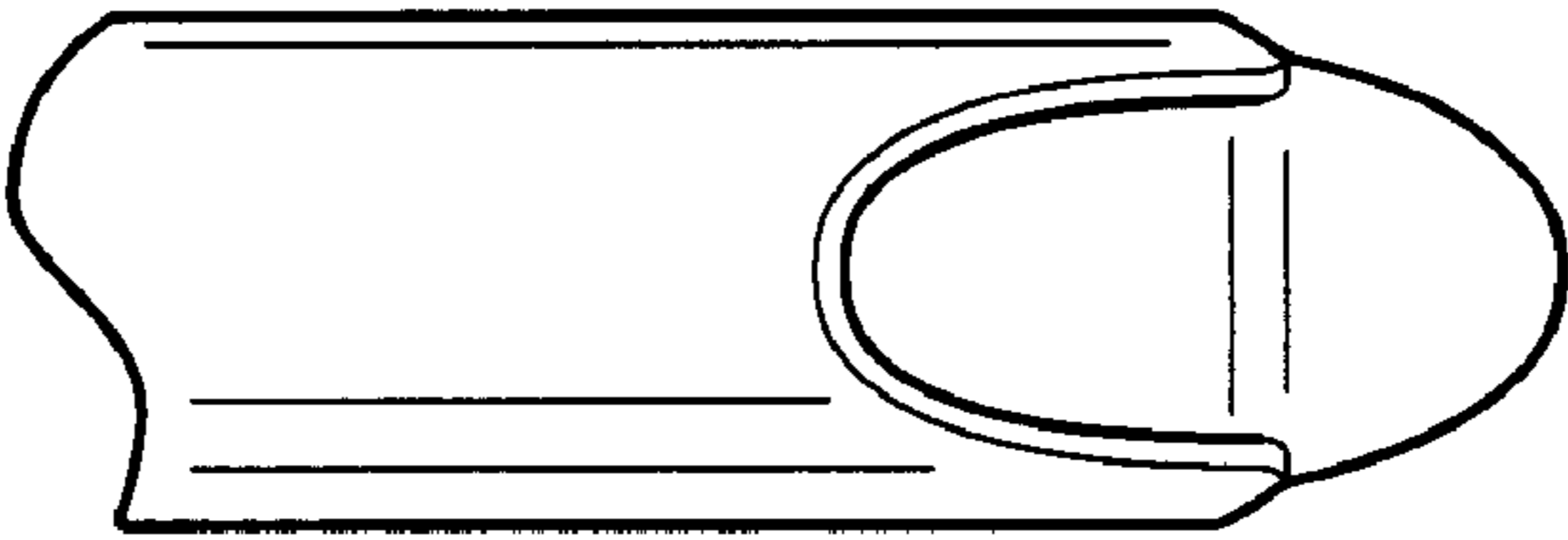


FIG. 3

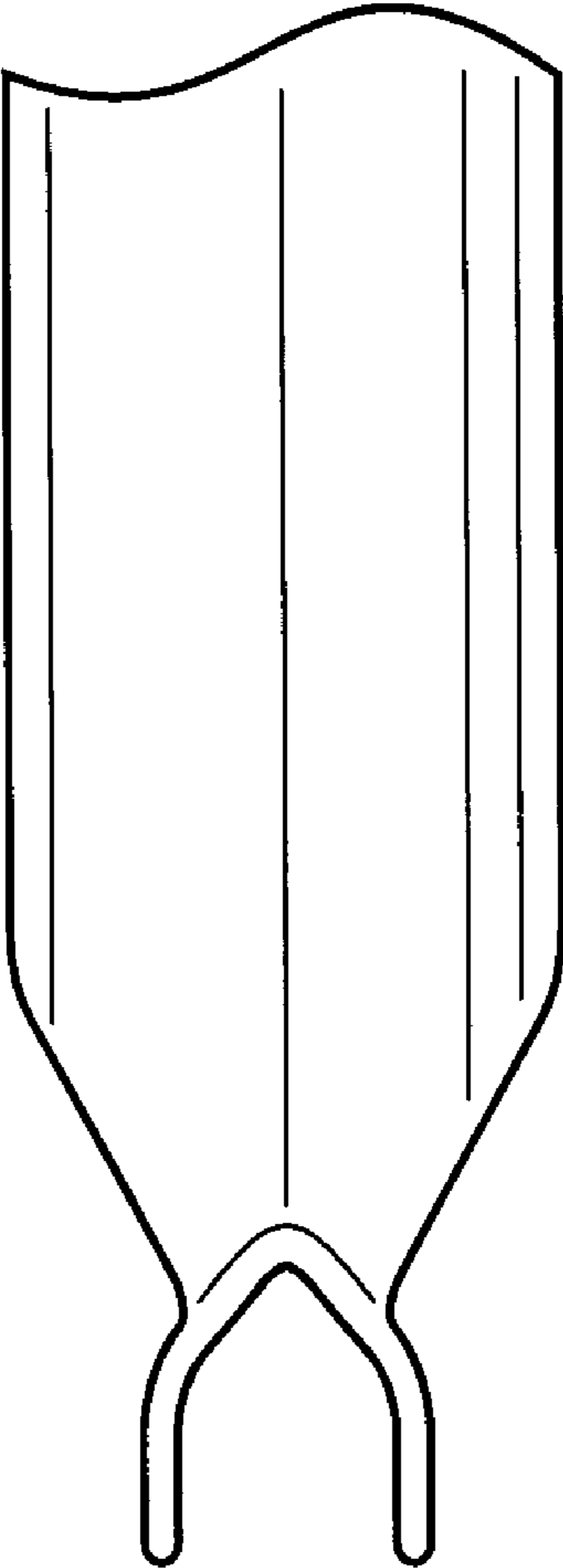


FIG. 4

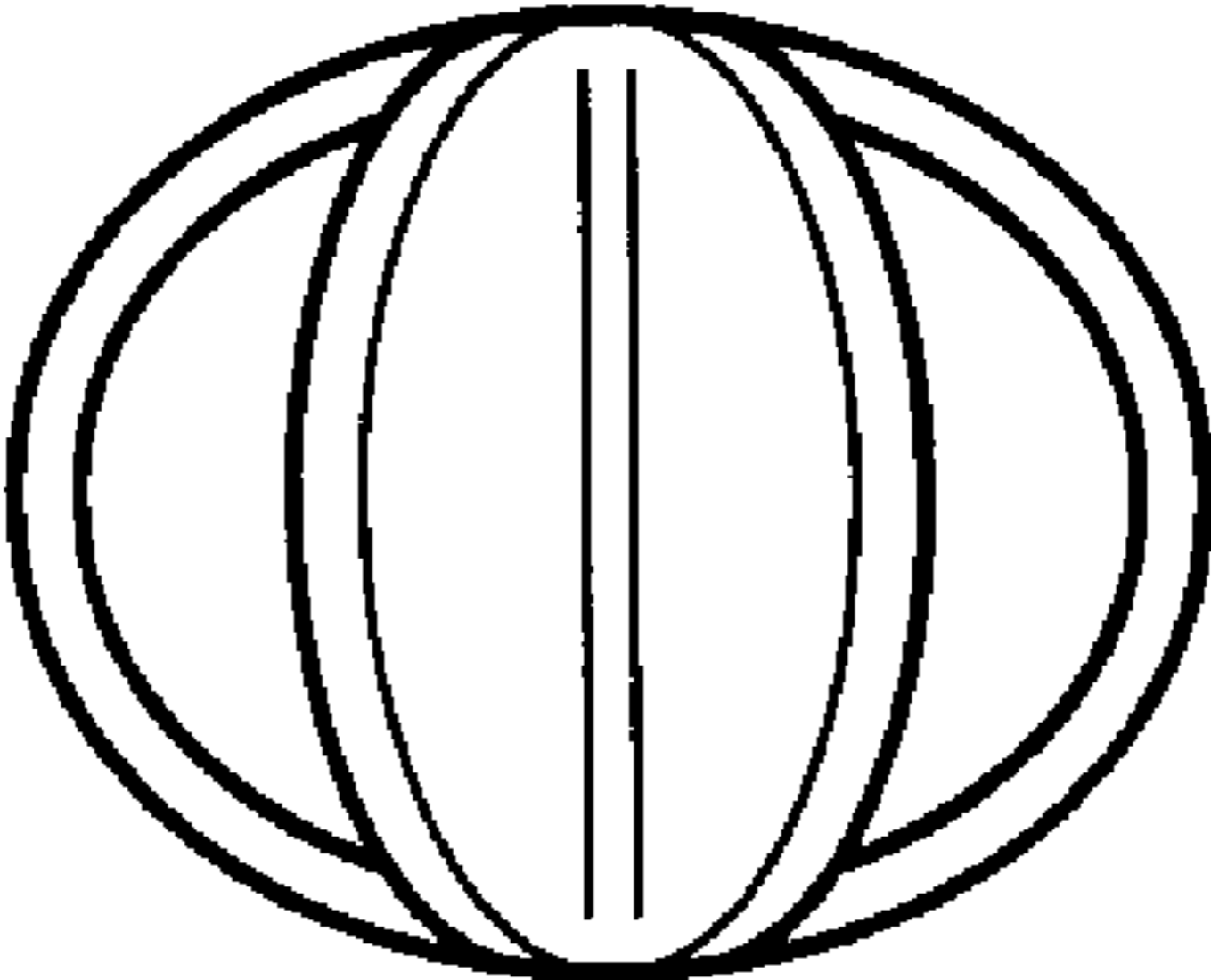


FIG. 5