



US00D650900S

(12) **United States Design Patent**  
**Peuker et al.**

(10) **Patent No.:** **US D650,900 S**

(45) **Date of Patent:** **\*\* \*Dec. 20, 2011**

(54) **DENTAL SYRINGE**  
(75) Inventors: **Marc Peuker**, Schondorf (DE); **Andreas J. Boehm**, Reichling (DE)  
(73) Assignee: **3M Innovative Properties Company**, St. Paul, MN (US)

7,530,808 B2 \* 5/2009 Cao et al. .... 433/89  
7,740,479 B2 \* 6/2010 Allred et al. .... 433/89  
7,766,191 B2 \* 8/2010 Jackson et al. .... 222/145.5  
2002/0001790 A1 1/2002 Qualliotine  
2004/0116875 A1 6/2004 Fischer  
2008/0083782 A1 4/2008 Heusser

(\* ) Notice: This patent is subject to a terminal disclaimer.

(\*\*) Term: **14 Years**

(21) Appl. No.: **29/366,907**

(22) Filed: **Jul. 30, 2010**

(30) **Foreign Application Priority Data**

Feb. 3, 2010 (EM) ..... 1193239-1/6

(51) **LOC (9) Cl.** ..... **24-02**

(52) **U.S. Cl.** ..... **D24/114**

(58) **Field of Classification Search** ..... D24/111-113,  
D24/108, 152, 176; 433/80, 114, 85, 88,  
433/89; 222/129, 145.1, 145.5

See application file for complete search history.

(56) **References Cited**

U.S. PATENT DOCUMENTS

4,930,920 A \* 6/1990 Fitzig et al. .... 433/89  
5,328,462 A 7/1994 Fischer  
5,378,233 A \* 1/1995 Haber et al.  
5,387,103 A 2/1995 Fischer  
D357,065 S \* 4/1995 Castellini ..... D24/112  
D409,305 S \* 5/1999 Martin et al. .... D24/113  
6,116,900 A \* 9/2000 Ostler ..... 433/89  
6,398,761 B1 \* 6/2002 Bills et al. .... 222/145.5  
6,484,904 B1 \* 11/2002 Horner et al. .... 222/145.1  
6,732,887 B2 \* 5/2004 Bills ..... 222/145.5  
6,874,661 B2 \* 4/2005 Timmerman et al. .... 222/145.1  
D556,320 S 11/2007 Boclet  
7,367,475 B2 \* 5/2008 Horth et al. .... 222/145.5

FOREIGN PATENT DOCUMENTS

DE 1938028 1/1971  
WO 2005-016170 2/2005  
WO 2005-016783 2/2005  
WO 2007-095769 8/2007

(Continued)

OTHER PUBLICATIONS

Search Report in Application No. GB0902354.0, May 22, 2009, 4 pages.

(Continued)

*Primary Examiner* — David Muller

(74) *Attorney, Agent, or Firm* — Pamela L. Stewart

(57) **CLAIM**

The ornamental design for a dental syringe, as shown and described.

**DESCRIPTION**

FIG. 1 is a perspective showing the new design for a dental syringe.

FIG. 2 is a right side view of the design shown in FIG. 1, the left side being a mirror image thereof;

FIG. 3 is a top view thereof;

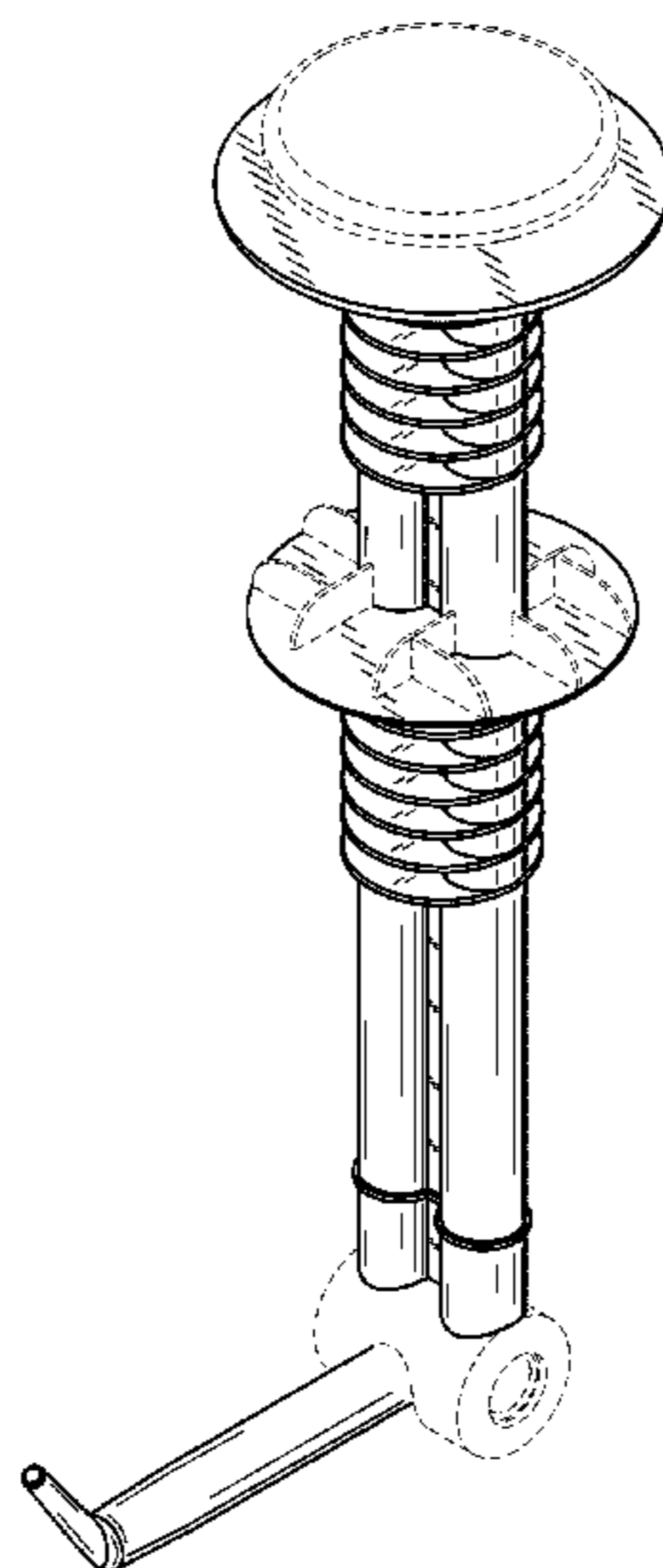
FIG. 4 is a bottom view thereof;

FIG. 5 is a front view thereof; and,

FIG. 6 is a back view thereof.

The broken lines form no part of the claimed design, and any shading is provided to illustrate contour only and is not an indication of texture, gradient, etc.

**1 Claim, 3 Drawing Sheets**



# US D650,900 S

Page 2

---

## FOREIGN PATENT DOCUMENTS

WO	2007-104037	9/2007
WO	2010-093575	8/2010

## OTHER PUBLICATIONS

U.S. Appl. No. 29/366,901, filed Jul. 30, 2010, entitled "Dental Syringe," Peuker et al.

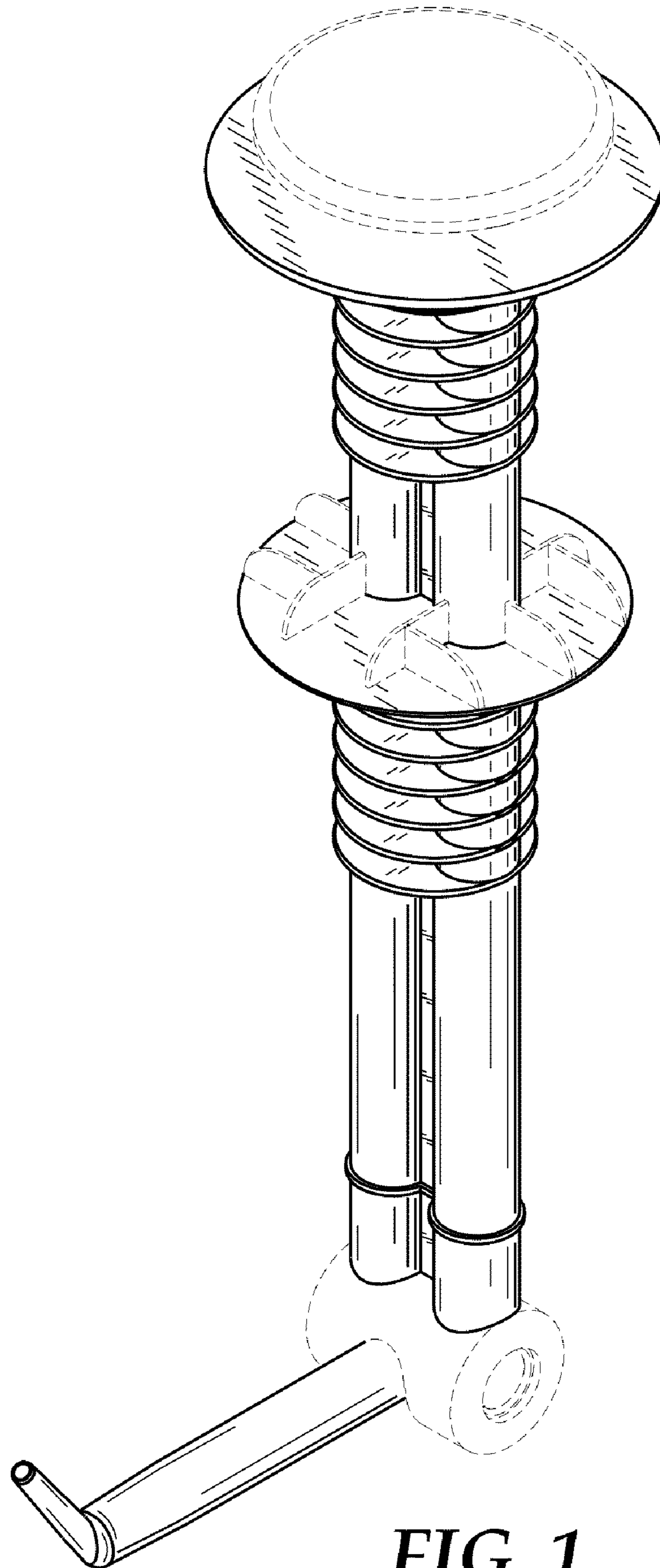
U.S. Appl. No. 29/366,904, filed Jul. 30, 2010, entitled "Dental Syringe," Peuker et al.

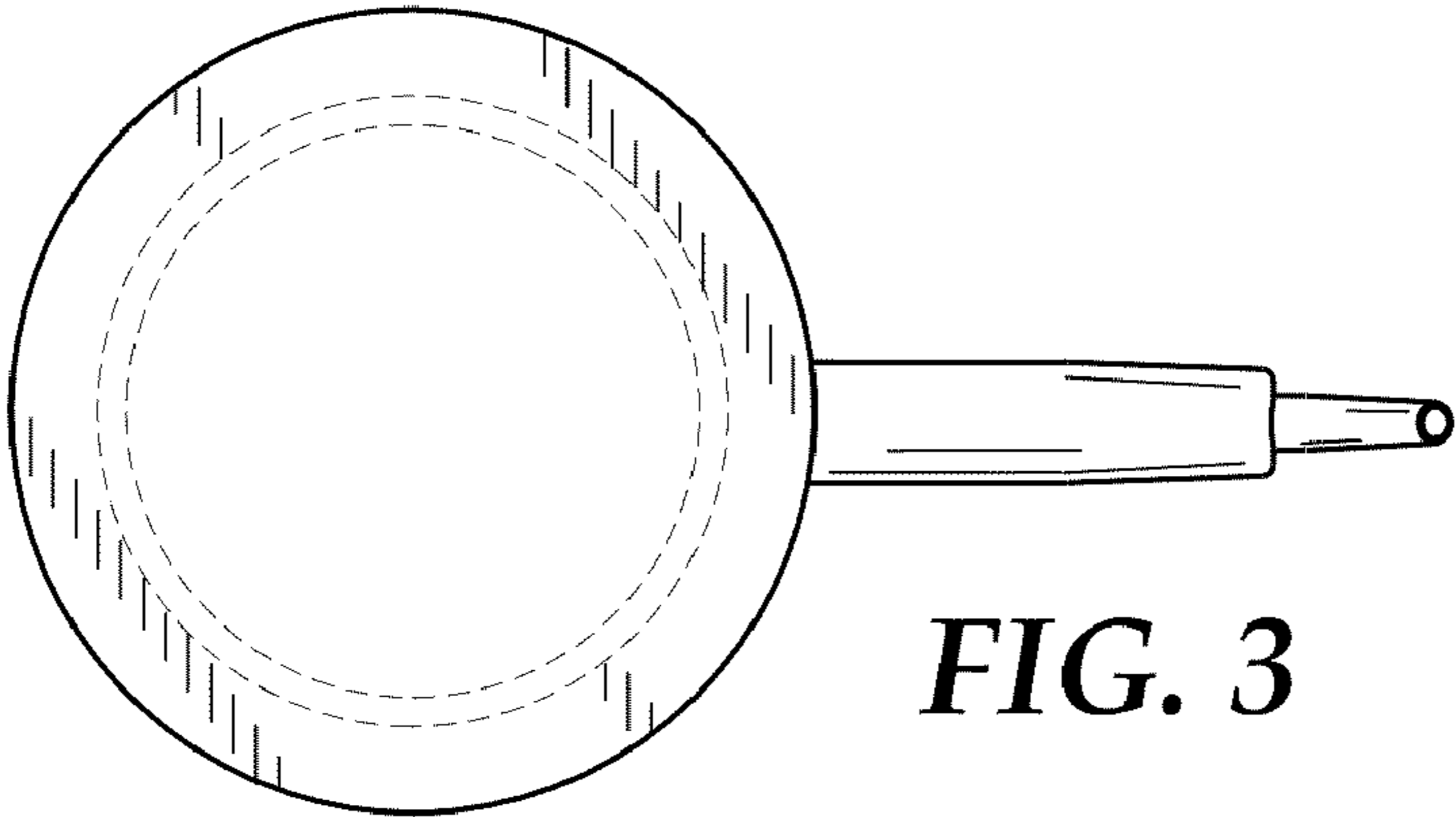
U.S. Appl. No. 29/366,906, filed Jul. 30, 2010, entitled "Dental Syringe," Peuker et al.

U.S. Appl. No. 29/366,908, filed Jul. 30, 2010, entitled "Dental Syringe," Peuker et al.

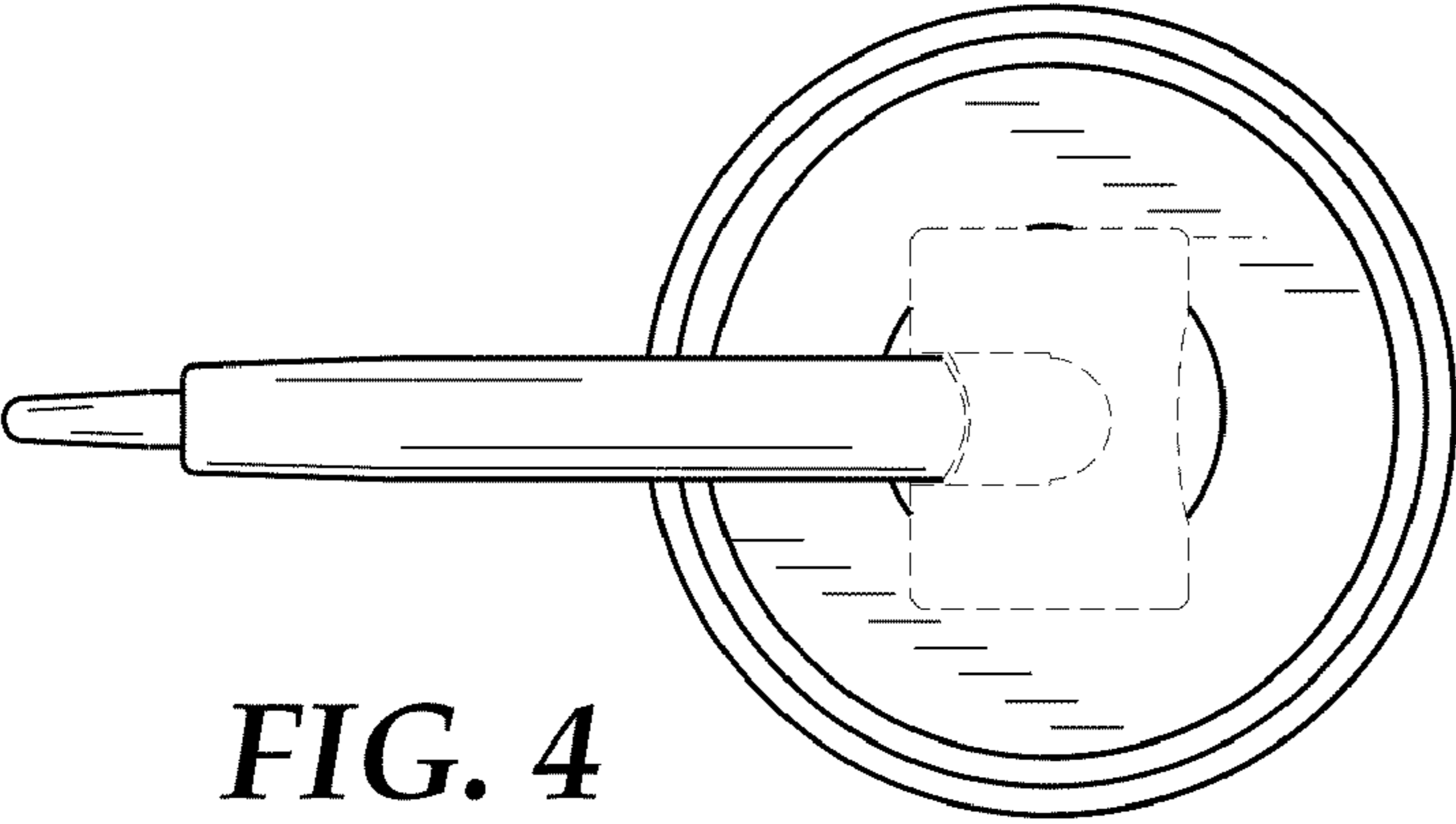
U.S. Appl. No. 29/366,909, filed Jul. 30, 2010, entitled "Dental Syringe," Peuker et al.

\* cited by examiner

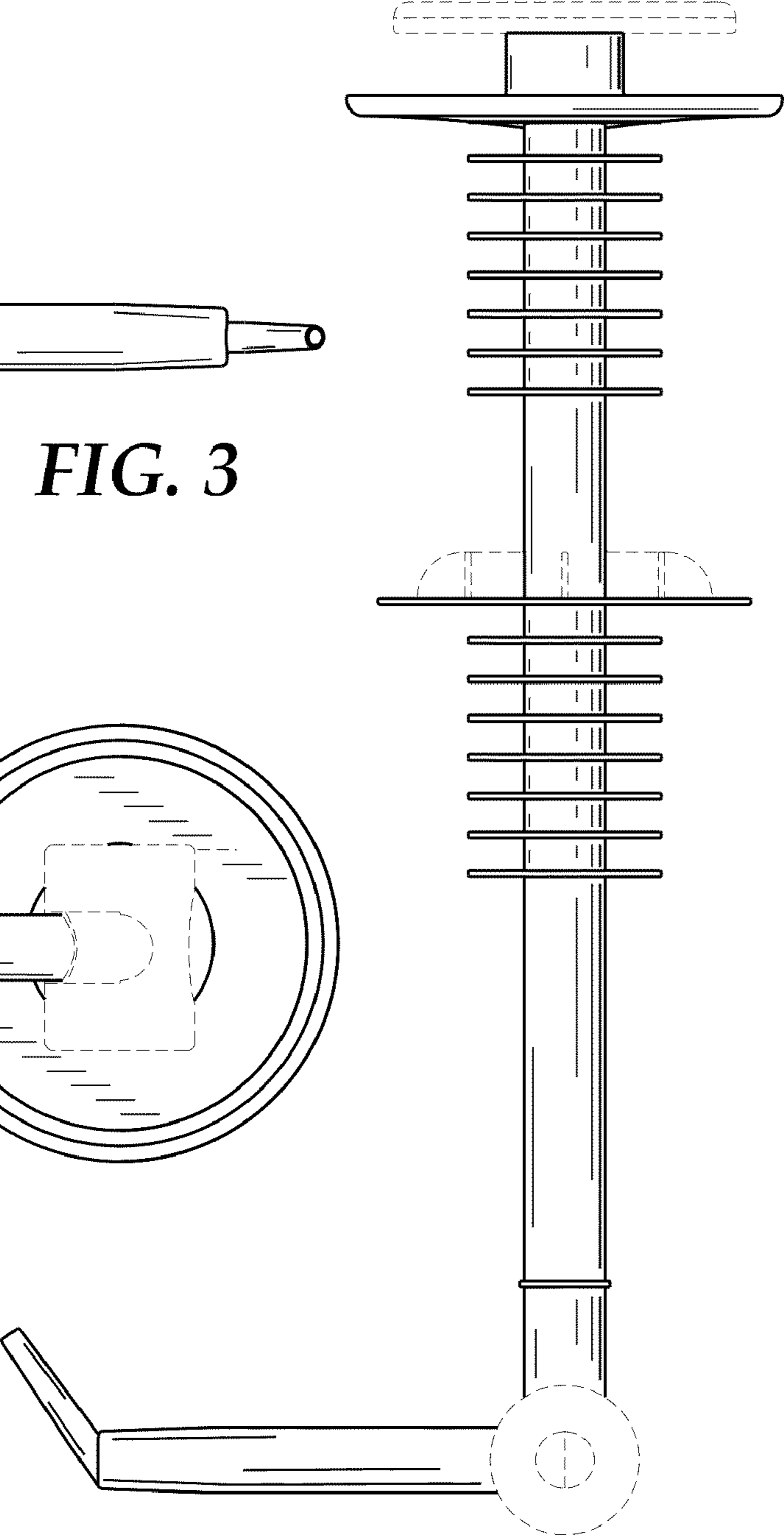




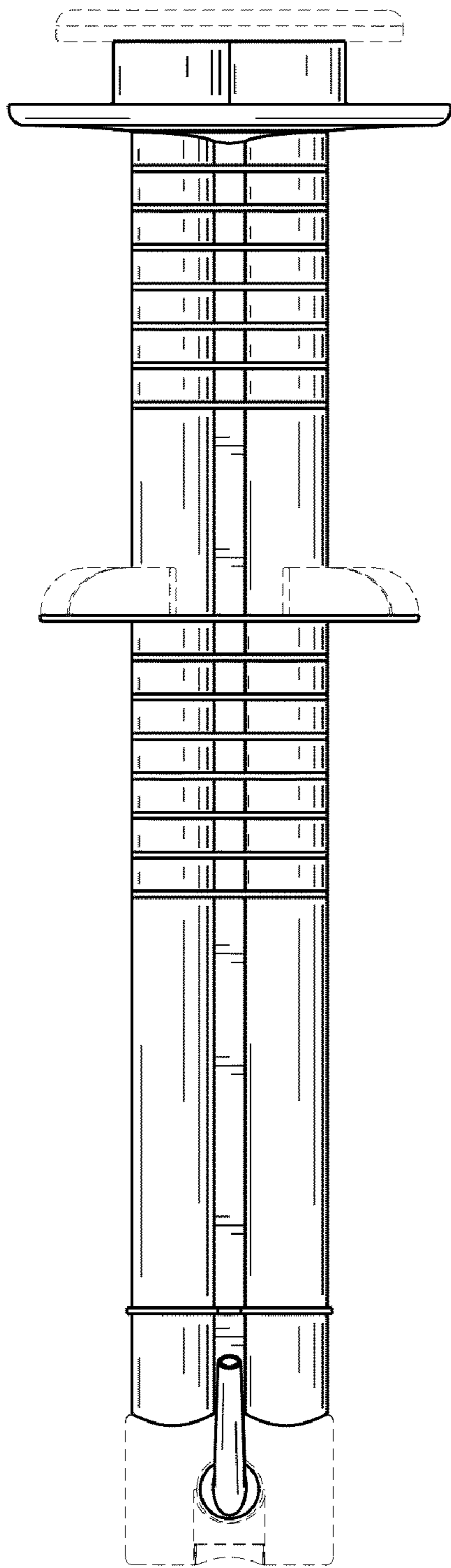
**FIG. 3**



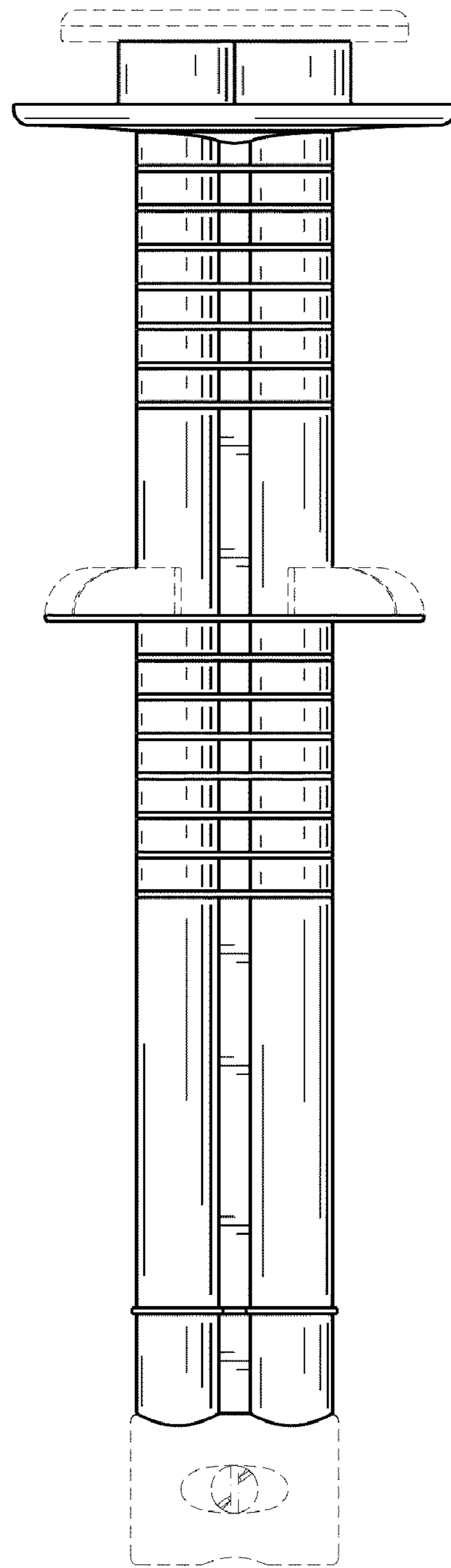
**FIG. 4**



**FIG. 2**



**FIG. 5**



**FIG. 6**