



US00D650899S

(12) **United States Design Patent**
Peuker et al.

(10) **Patent No.:** **US D650,899 S**

(45) **Date of Patent:** **** *Dec. 20, 2011**

(54) **DENTAL SYRINGE**

(75) Inventors: **Marc Peuker**, Schondorf (DE); **Andreas J. Boehm**, Reichling (DE)

(73) Assignee: **3M Innovative Properties Company**,
St. Paul, MN (US)

(*) Notice: This patent is subject to a terminal disclaimer.

(**) Term: **14 Years**

(21) Appl. No.: **29/366,906**

(22) Filed: **Jul. 30, 2010**

(30) **Foreign Application Priority Data**

Feb. 3, 2010 (EM) 1193239

(51) **LOC (9) Cl.** **24-02**

(52) **U.S. Cl.** **D24/114**

(58) **Field of Classification Search** D24/111-113,
D24/108, 152, 176; 433/80, 114, 85, 88,
433/89; 222/129, 145.1, 145.5
See application file for complete search history.

(56) **References Cited**

U.S. PATENT DOCUMENTS

4,930,920	A *	6/1990	Fitzig et al.	433/89
5,328,462	A	7/1994	Fischer	
5,378,233	A *	1/1995	Haber et al.	D24/112
5,387,103	A	2/1995	Fischer	
D357,065	S *	4/1995	Castellini	D24/112
D409,305	S *	5/1999	Martin et al.	D24/113
6,116,900	A *	9/2000	Ostler	433/89
6,398,761	B1 *	6/2002	Bills et al.	222/145.5
6,484,904	B1 *	11/2002	Horner et al.	222/145.1
6,732,887	B2 *	5/2004	Bills	222/145.5
6,874,661	B2 *	4/2005	Timmerman et al.	222/145.1
D556,320	S	11/2007	Boclet	
7,367,475	B2 *	5/2008	Horth et al.	222/145.5

7,530,808	B2 *	5/2009	Cao et al.	433/89
7,740,479	B2 *	6/2010	Allred et al.	433/89
7,766,191	B2 *	8/2010	Jackson et al.	222/145.5
2002/0001790	A1	1/2002	Qualliotine	
2004/0116875	A1	6/2004	Fischer	
2008/0083782	A1	4/2008	Heusser	

FOREIGN PATENT DOCUMENTS

DE	1938028	1/1971
WO	WO 2005-016170	2/2005
WO	WO 2005-016783	2/2005
WO	WO 2007-095769	8/2007

(Continued)

OTHER PUBLICATIONS

Search Report in Application No. GB0902354.0, May 22, 2009, 4 pages.

(Continued)

Primary Examiner — David Muller

(74) *Attorney, Agent, or Firm* — Pamela L. Stewart

(57) **CLAIM**

The ornamental design for a dental syringe, as shown and described.

DESCRIPTION

FIG. 1 is a perspective showing the new design for a dental syringe.

FIG. 2 is a right side view of the design shown in FIG. 1, the left side being a mirror image thereof;

FIG. 3 is a top view thereof;

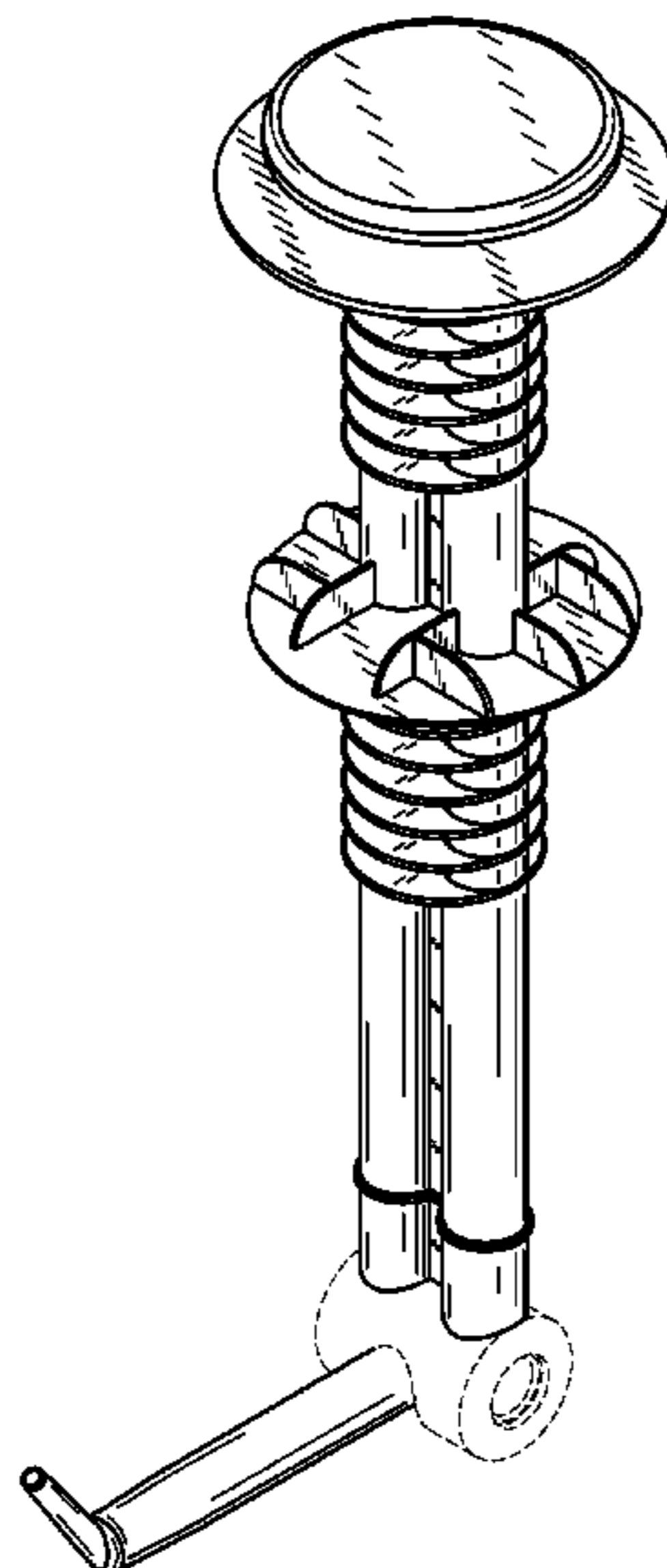
FIG. 4 is a bottom view thereof;

FIG. 5 is a front view thereof; and,

FIG. 6 is a back view thereof.

The broken line showing of parts of the drawings is included for the purpose of illustrating use and environment and forms no part of the claimed design.

1 Claim, 3 Drawing Sheets



US D650,899 S

Page 2

FOREIGN PATENT DOCUMENTS

WO	WO 2007-104037	9/2007
WO	WO 2010-093575	8/2010

OTHER PUBLICATIONS

U.S. Appl. No. 29/366,901, filed Jul. 30, 2010, entitled "Dental Syringe," Peuker et al.

U.S. Appl. No. 29/366,904, filed Jul. 30, 2010, entitled "Dental Syringe," Peuker et al.

U.S. Appl. No. 29/366,907, filed Jul. 30, 2010, entitled "Dental Syringe," Peuker et al.

U.S. Appl. No. 29/366,908, filed Jul. 30, 2010, entitled "Dental Syringe," Peuker et al.

U.S. Appl. No. 29/366,909, filed Jul. 30, 2010, entitled "Dental Syringe," Peuker et al.

* cited by examiner

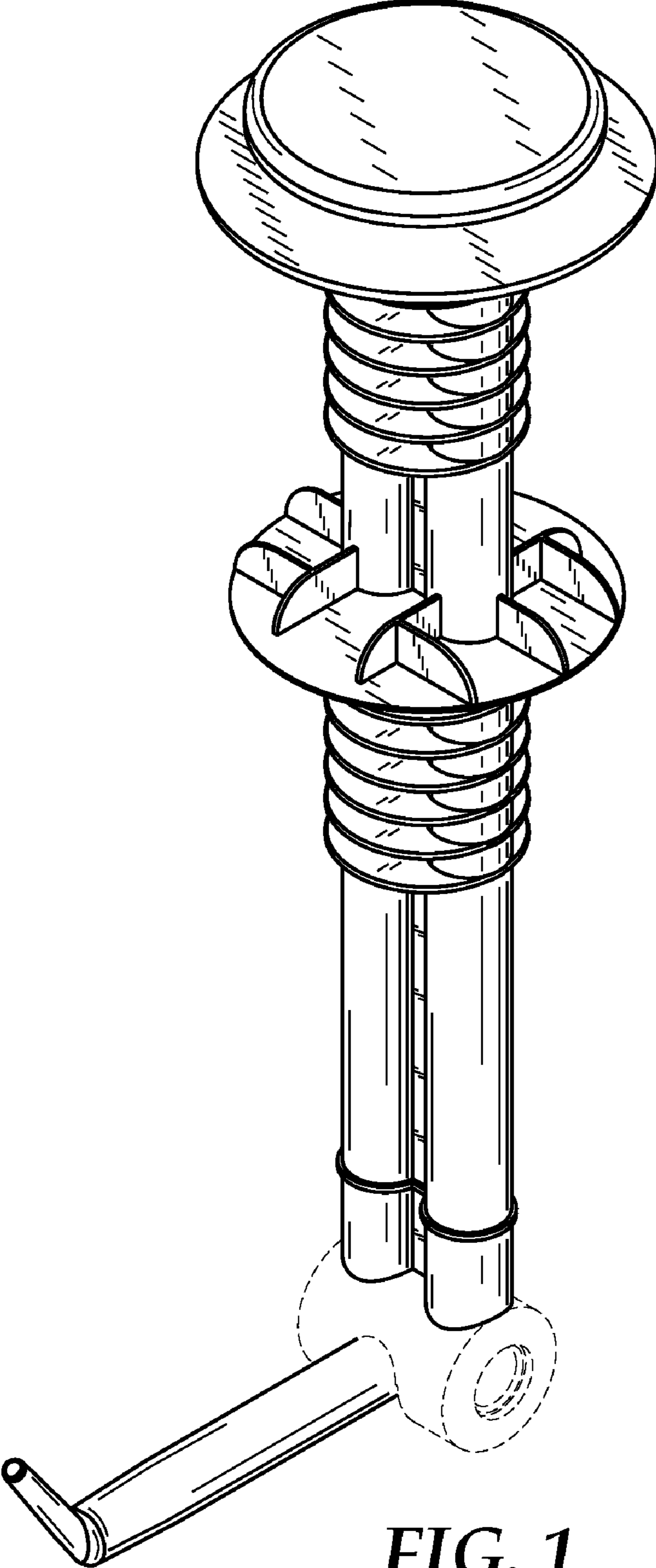


FIG. 1

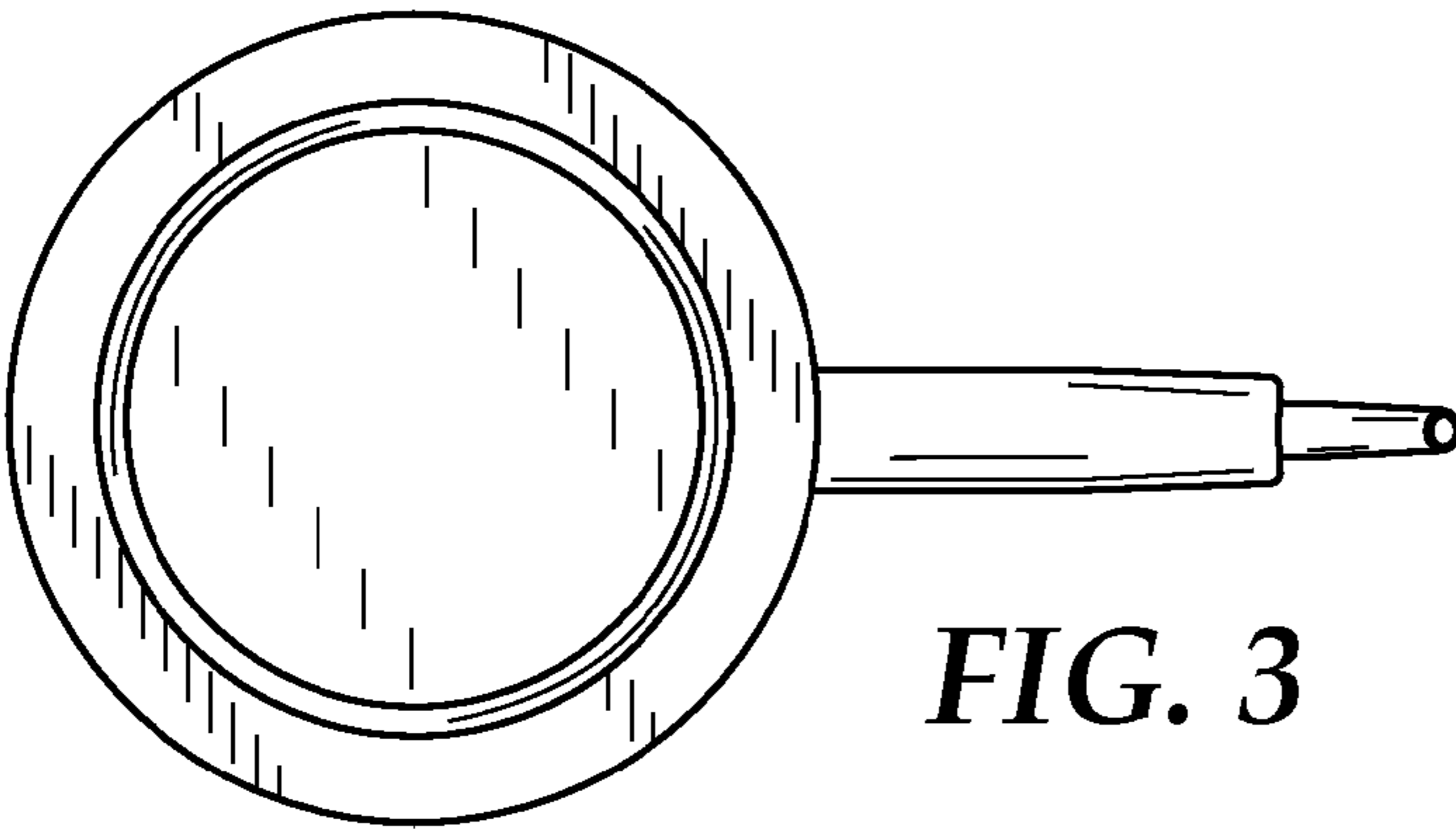


FIG. 3

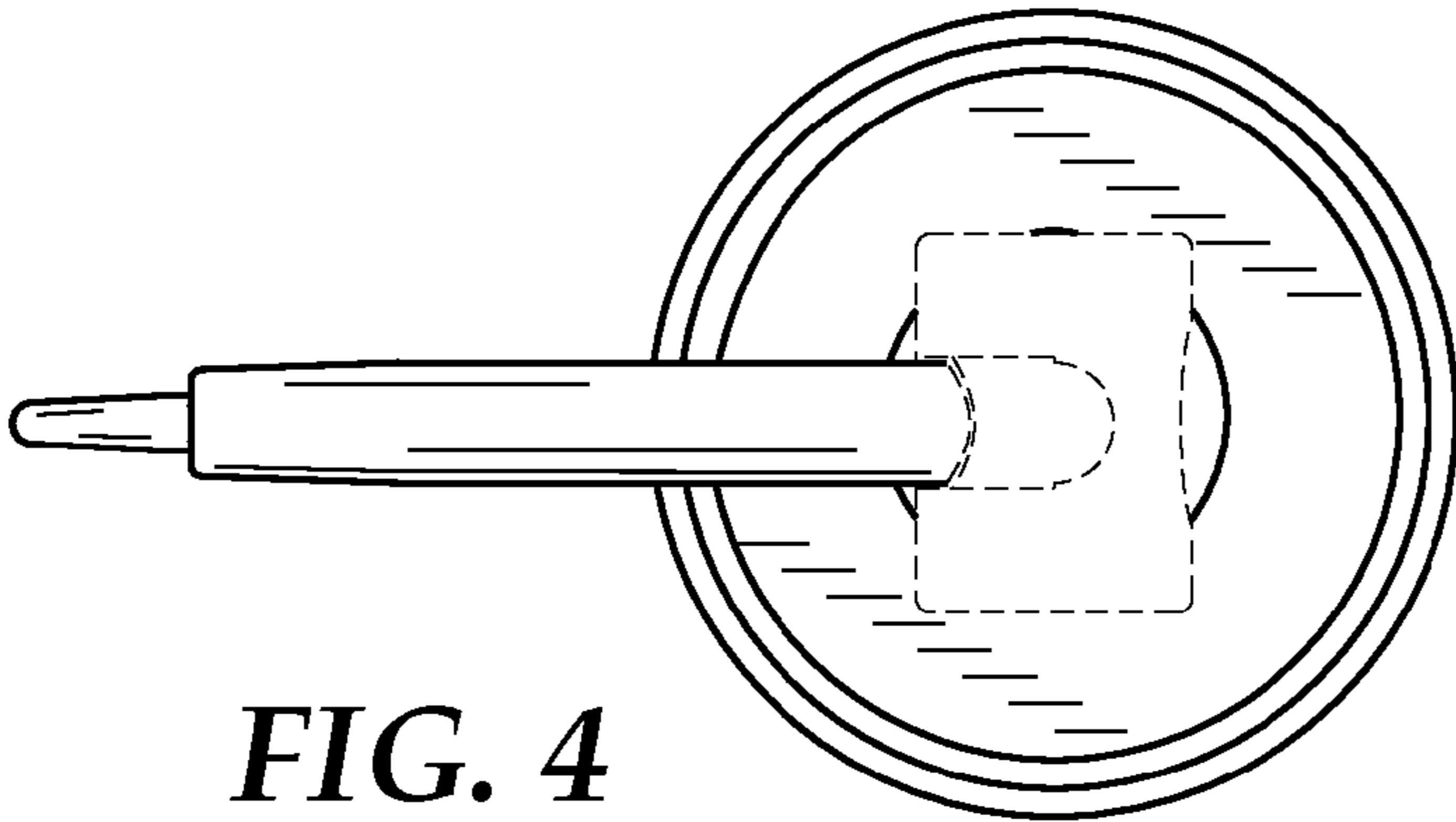


FIG. 4

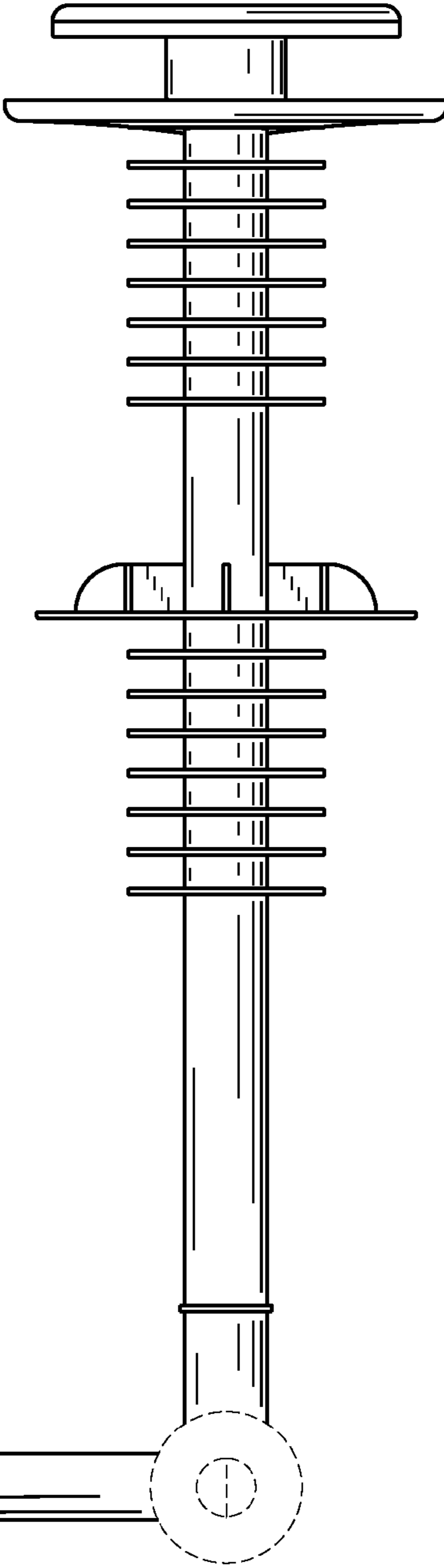


FIG. 2

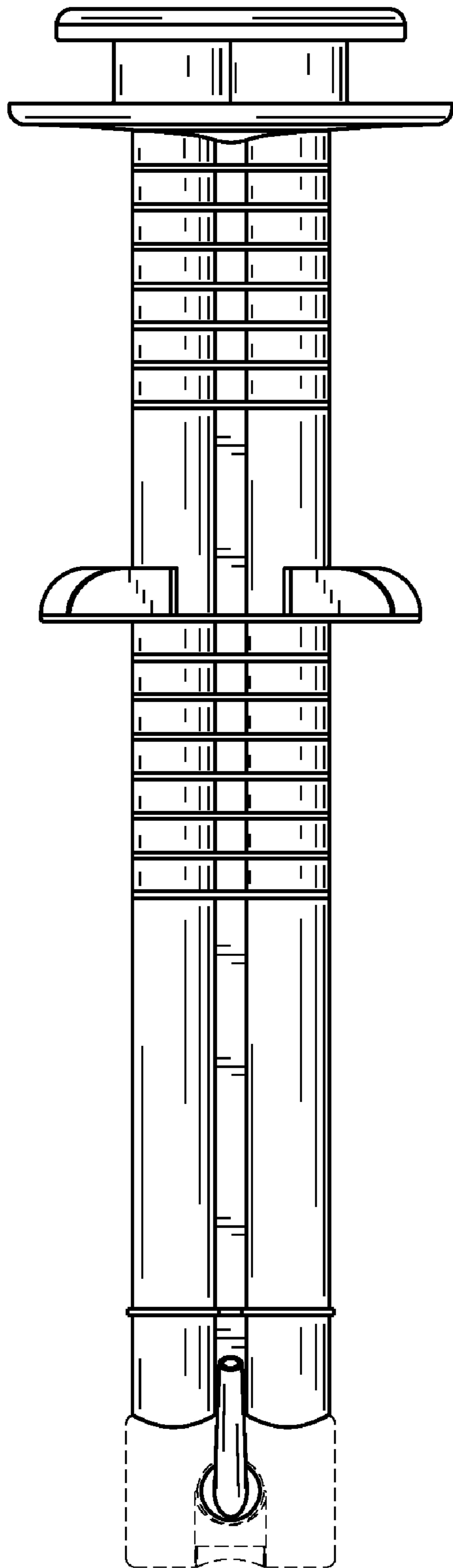


FIG. 5

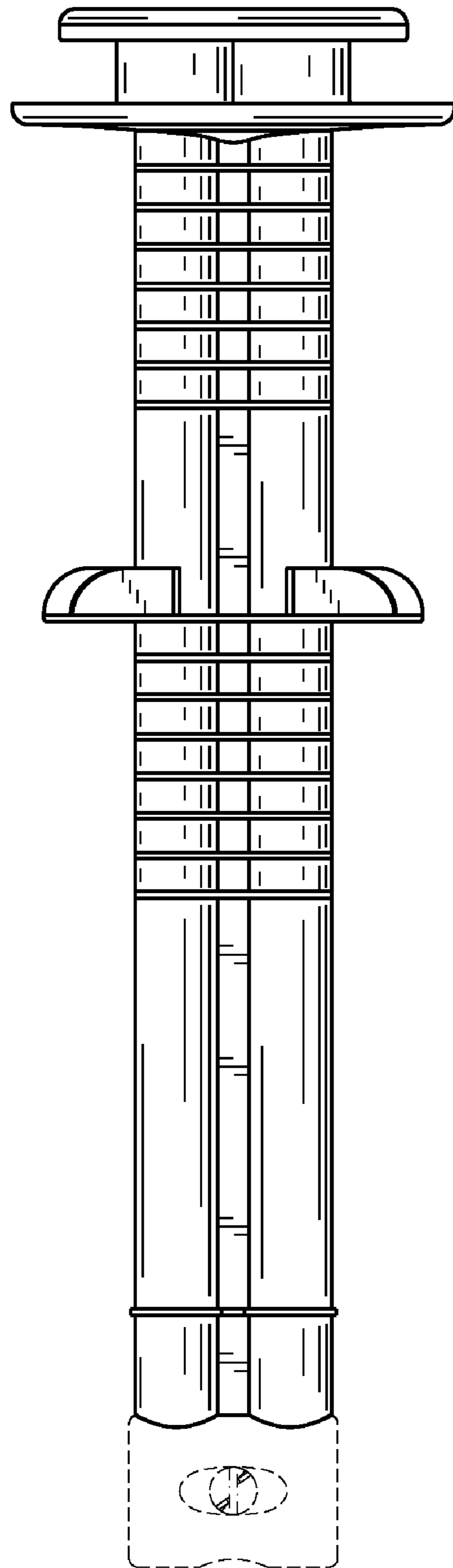


FIG. 6

UNITED STATES PATENT AND TRADEMARK OFFICE
CERTIFICATE OF CORRECTION

PATENT NO. : D650,899 S
APPLICATION NO. : 29/366906
DATED : December 20, 2011
INVENTOR(S) : Marc Peuker et al.

Page 1 of 1

It is certified that error appears in the above-identified patent and that said Letters Patent is hereby corrected as shown below:

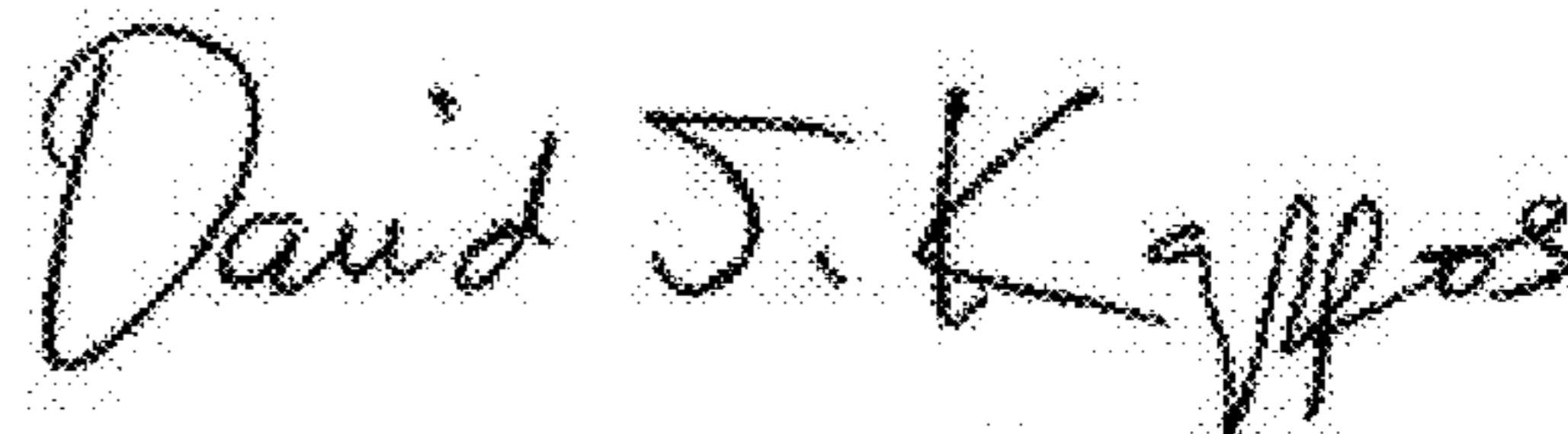
On Title page DESCRIPTION

Column 2

Line 9

After “showing” delete “of”.

Signed and Sealed this
Seventeenth Day of April, 2012



David J. Kappos
Director of the United States Patent and Trademark Office