



US00D650897S

(12) **United States Design Patent**
Peuker et al.

(10) **Patent No.:** **US D650,897 S**

(45) **Date of Patent:** **** *Dec. 20, 2011**

(54) **DENTAL SYRINGE**

(75) Inventors: **Marc Peuker**, Schondorf (DE); **Andreas J. Boehm**, Reichling (DE)

(73) Assignee: **3M Innovative Properties Company**,
St. Paul, MN (US)

(*) Notice: This patent is subject to a terminal disclaimer.

(**) Term: **14 Years**

(21) Appl. No.: **29/366,901**

(22) Filed: **Jul. 30, 2010**

(30) **Foreign Application Priority Data**

Feb. 3, 2010 (EM) 1193239-1/6

(51) **LOC (9) Cl.** **24-02**

(52) **U.S. Cl.** **D24/114**

(58) **Field of Classification Search** D24/111-113,
D24/108, 152, 176; 433/80, 114, 85, 88,
433/89; 222/129, 145.1, 145.5

See application file for complete search history.

(56) **References Cited**

U.S. PATENT DOCUMENTS

4,930,920	A *	6/1990	Fitzig et al.	433/89
5,328,462	A	7/1994	Fischer	
5,378,233	A *	1/1995	Haber et al.	604/83
5,387,103	A	2/1995	Fischer	
D357,065	S *	4/1995	Castellini	D24/112
D409,305	S *	5/1999	Martin et al.	D24/113
6,116,900	A *	9/2000	Ostler	433/89
6,398,761	B1 *	6/2002	Bills et al.	222/145.5
6,484,904	B1 *	11/2002	Horner et al.	222/145.1
6,732,887	B2 *	5/2004	Bills	222/145.5
6,874,661	B2 *	4/2005	Timmerman et al.	222/145.1
D556,320	S	11/2007	Boclet	
7,367,475	B2 *	5/2008	Horth et al.	222/145.5

7,530,808	B2 *	5/2009	Cao et al.	433/89
7,740,479	B2 *	6/2010	Allred et al.	433/89
7,766,191	B2 *	8/2010	Jackson et al.	222/145.5
2002/0001790	A1	1/2002	Qualliotine	
2004/0116875	A1	6/2004	Fischer	
2008/0083782	A1	4/2008	Heusser	

FOREIGN PATENT DOCUMENTS

DE	1938028	1/1971
WO	2005-016170	2/2005
WO	2005-016783	2/2005
WO	2007-095769	8/2007
WO	2007-104037	9/2007

(Continued)

OTHER PUBLICATIONS

Search Report in Application No. GB0902354.0, May 22, 2009, 4 pages.

(Continued)

Primary Examiner — David Muller

(74) Attorney, Agent, or Firm — Pamela L. Stewart

(57) **CLAIM**

The ornamental design for a dental syringe, as shown and described.

DESCRIPTION

FIG. 1 is a perspective showing the new design for a dental syringe.

FIG. 2 is a left side view thereof;

FIG. 3 is a right side view thereof;

FIG. 4 is a top view thereof;

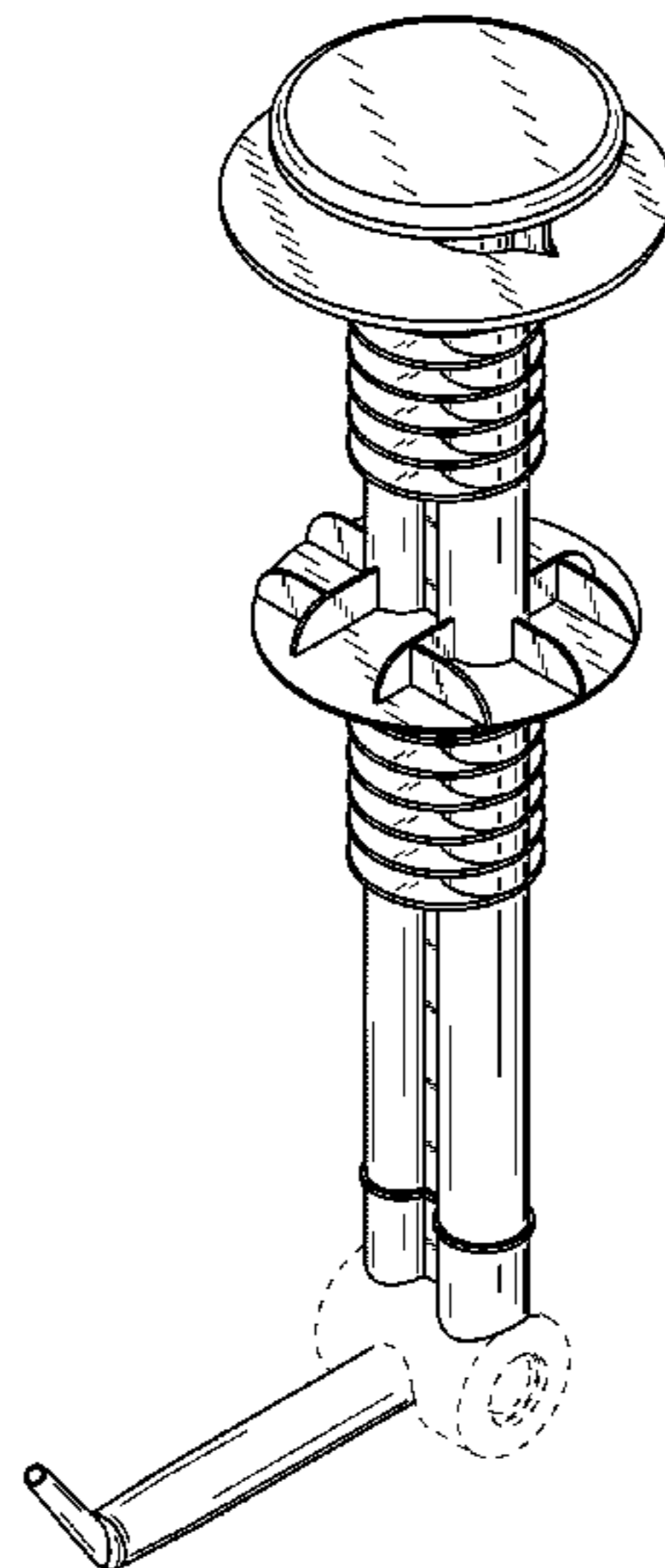
FIG. 5 is a bottom view thereof;

FIG. 6 is a front view thereof; and,

FIG. 7 is a back view thereof.

The broken lines form no part of the claimed design, and any shading is provided to illustrate contour only and is not an indication of texture, gradient, etc.

1 Claim, 4 Drawing Sheets



US D650,897 S

Page 2

FOREIGN PATENT DOCUMENTS

WO 2010-093575 8/2010

OTHER PUBLICATIONS

U.S. Appl. No. 29/366,904, filed Jul. 30, 2010, entitled "Dental Syringe," Peuker et al.

U.S. Appl. No. 29/366,906, filed Jul. 30, 2010, entitled "Dental Syringe," Peuker et al.

U.S. Appl. No. 29/366,907, filed Jul. 30, 2010, entitled "Dental Syringe," Peuker et al.

U.S. Appl. No. 29/366,908, filed Jul. 30, 2010, entitled "Dental Syringe," Peuker et al.

U.S. Appl. No. 29/366,909, filed Jul. 30, 2010, entitled "Dental Syringe," Peuker et al.

* cited by examiner

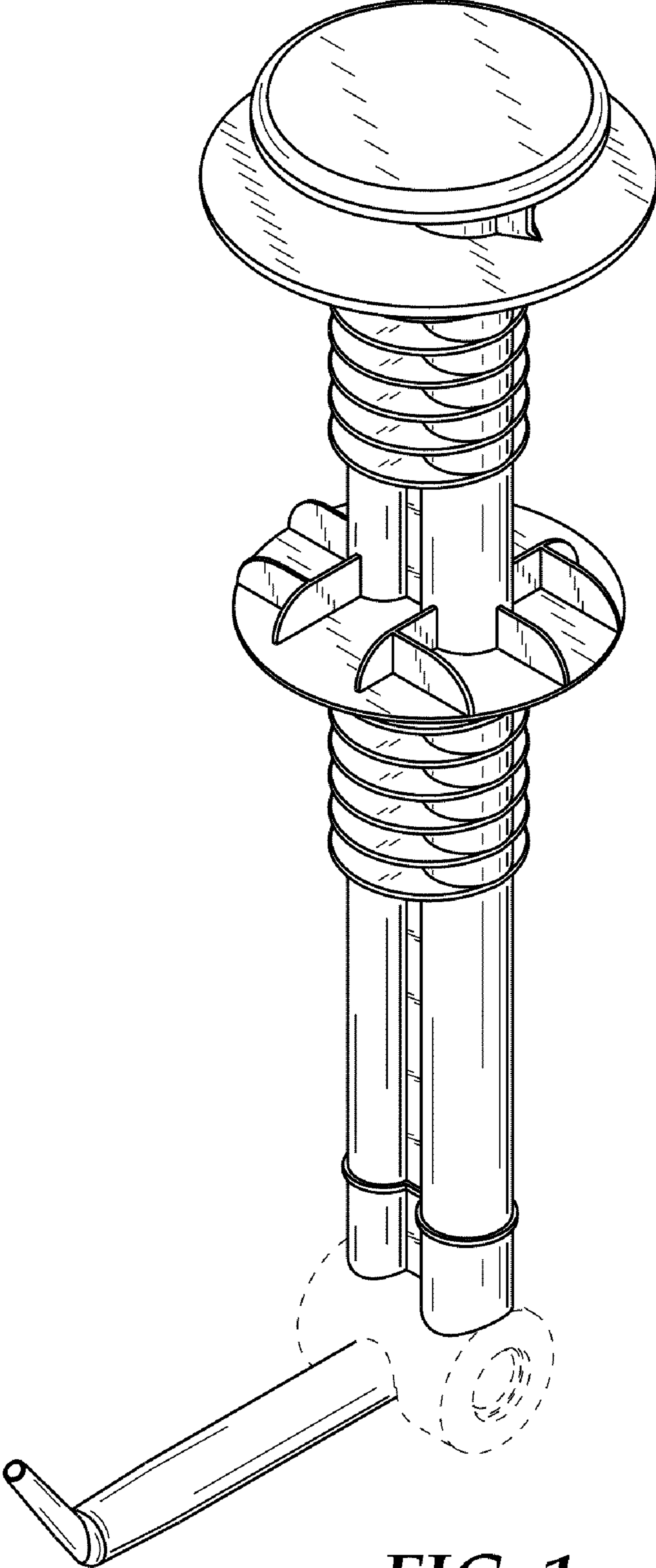


FIG. 1

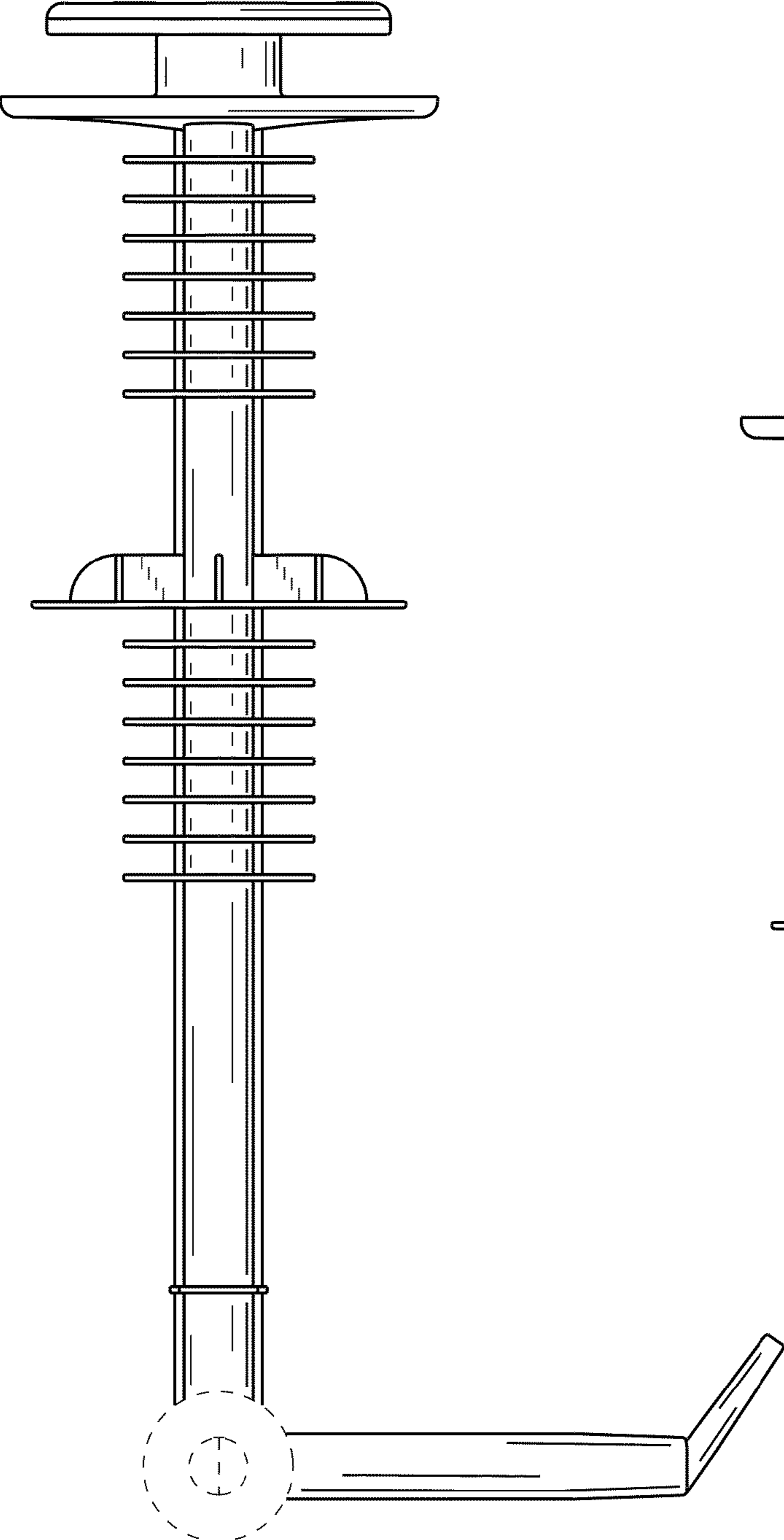


FIG. 2

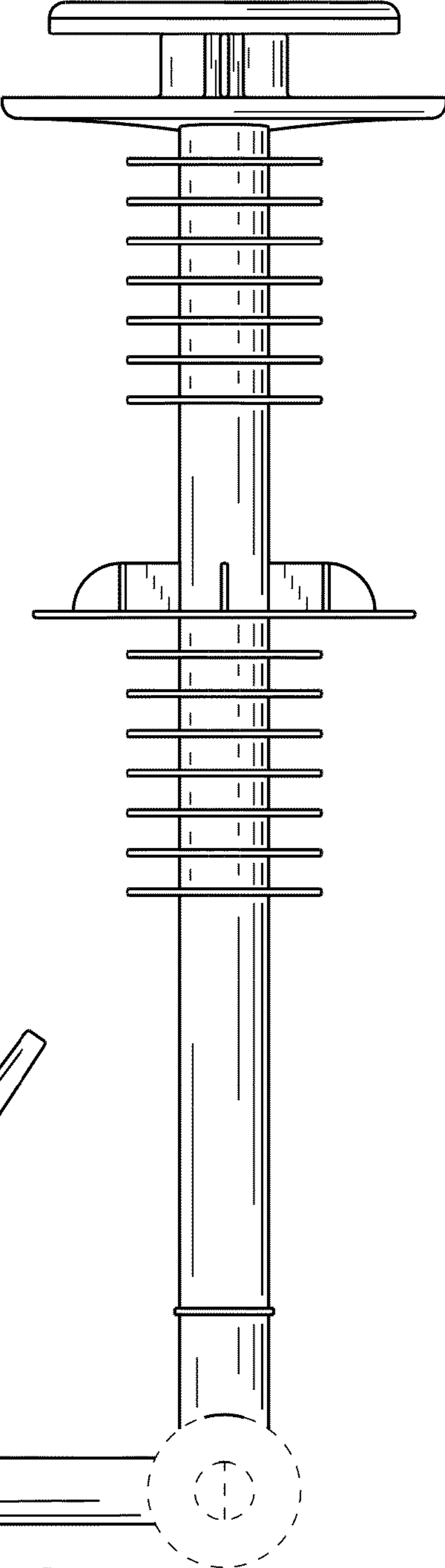


FIG. 3

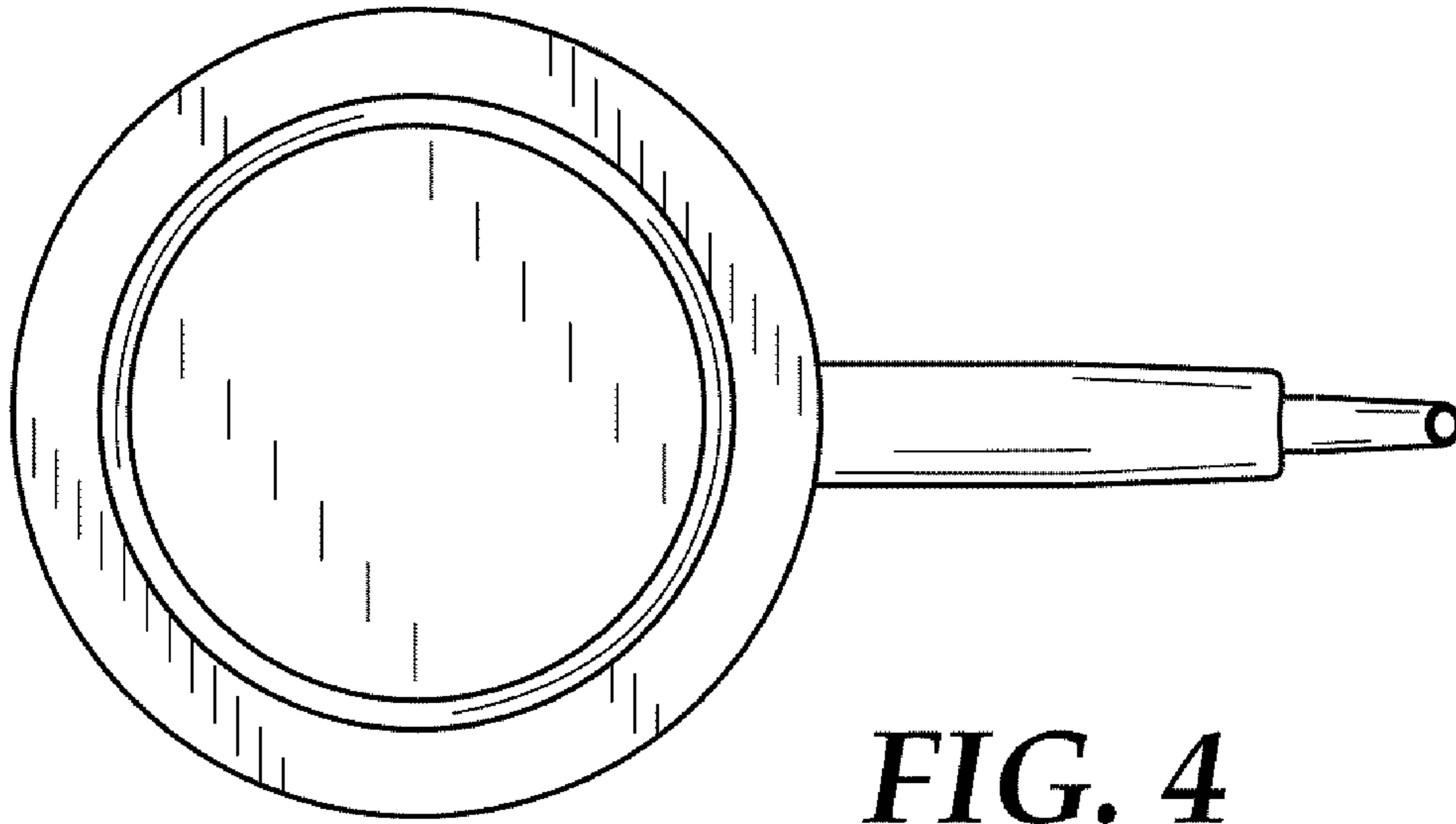


FIG. 4

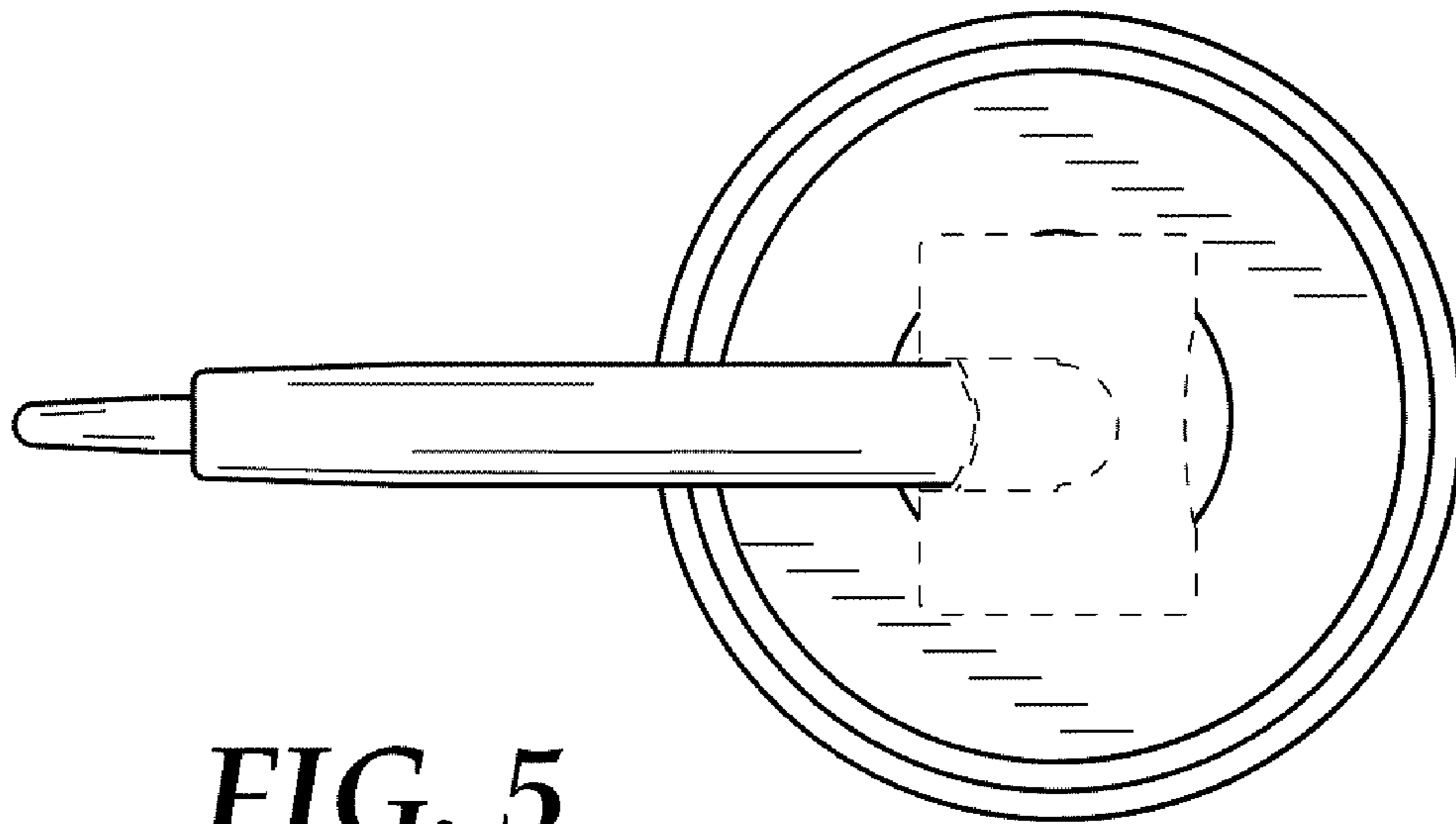


FIG. 5

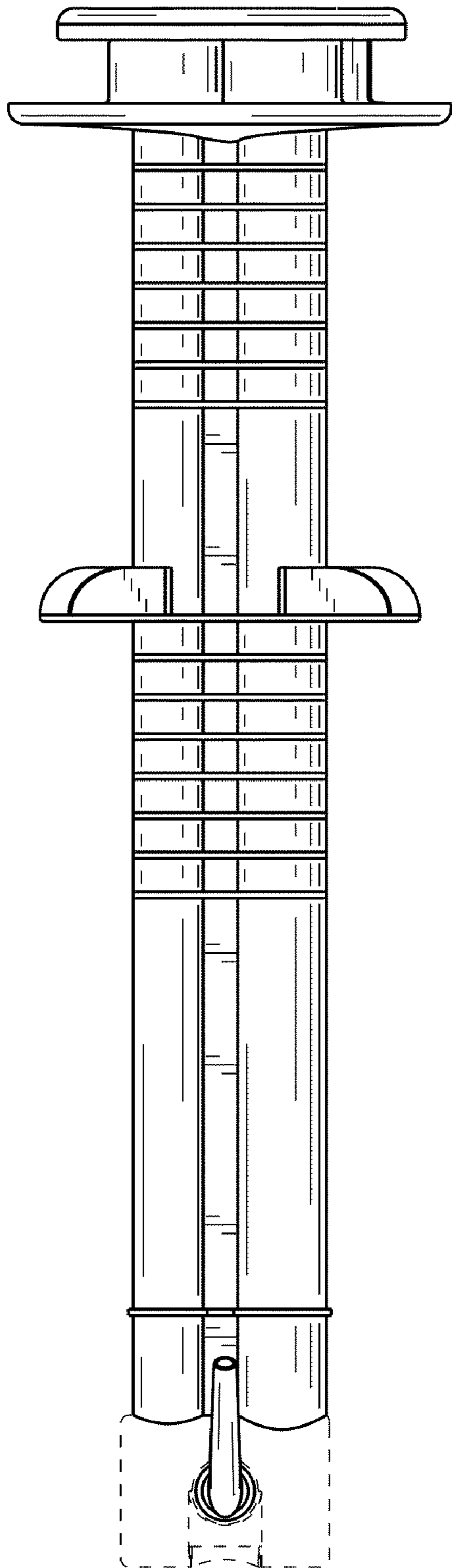


FIG. 6

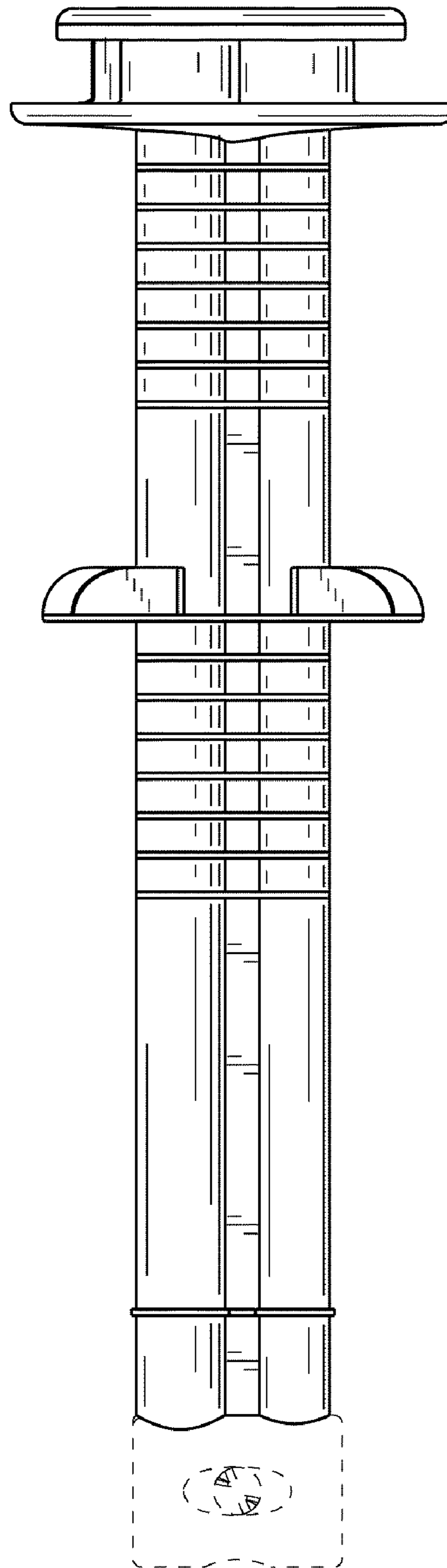


FIG. 7