



US00D650894S

(12) **United States Design Patent**
Gonzalez

(10) **Patent No.:** **US D650,894 S**

(45) **Date of Patent:** **** Dec. 20, 2011**

(54) **CANISTER**

(75) Inventor: **Mario A. Gonzalez**, Somerville, MA
(US)

(73) Assignee: **Smith & Nephew PLC**, London (GB)

(**) Term: **14 Years**

(21) Appl. No.: **29/386,664**

(22) Filed: **Mar. 3, 2011**

D551,578 S *	9/2007	Kuriger et al.	D10/81
D602,582 S	10/2009	Pidgeon et al.		
D602,583 S	10/2009	Pidgeon et al.		
D602,584 S	10/2009	Pidgeon et al.		
D617,094 S *	6/2010	Pidgeon et al.	D3/232
D617,461 S *	6/2010	Kaushal et al.	D24/169
D625,801 S	10/2010	Pidgeon et al.		
D630,313 S	1/2011	Pidgeon et al.		
D630,725 S *	1/2011	Pidgeon et al.	D24/108
D645,137 S *	9/2011	Gonzalez	D24/108
2008/0033400 A1	2/2008	Holper et al.		
2009/0299306 A1 *	12/2009	Buan	604/319

* cited by examiner

Related U.S. Application Data

(62) Division of application No. 29/351,416, filed on Dec. 4, 2009, now Pat. No. Des. 645,137.

(51) **LOC (9) Cl.** **24-02**

(52) **U.S. Cl.** **D24/108**

(58) **Field of Classification Search** D24/108-110.5;
128/206.12, 206.19, 206.27, 205.25, 206.15,
128/206.18, 206.21; D23/356

See application file for complete search history.

Primary Examiner — Ian Simmons

Assistant Examiner — Charles Hanson

(74) *Attorney, Agent, or Firm* — Knobbe Martens Olson & Bear LLP

(57) **CLAIM**

The ornamental design for a canister, as shown and described.

DESCRIPTION

FIG. 1 is a perspective view of a canister showing my new design.

FIG. 2 is a top plan view of the canister of FIG. 1.

FIG. 3 is a bottom view of the canister of FIG. 1.

FIG. 4 is a front elevation view of the canister of FIG. 1.

FIG. 5 is a rear elevation view of the canister of FIG. 1.

FIG. 6 is a right side view of the canister of FIG. 1; and,

FIG. 7 is a left side view of the canister of FIG. 1.

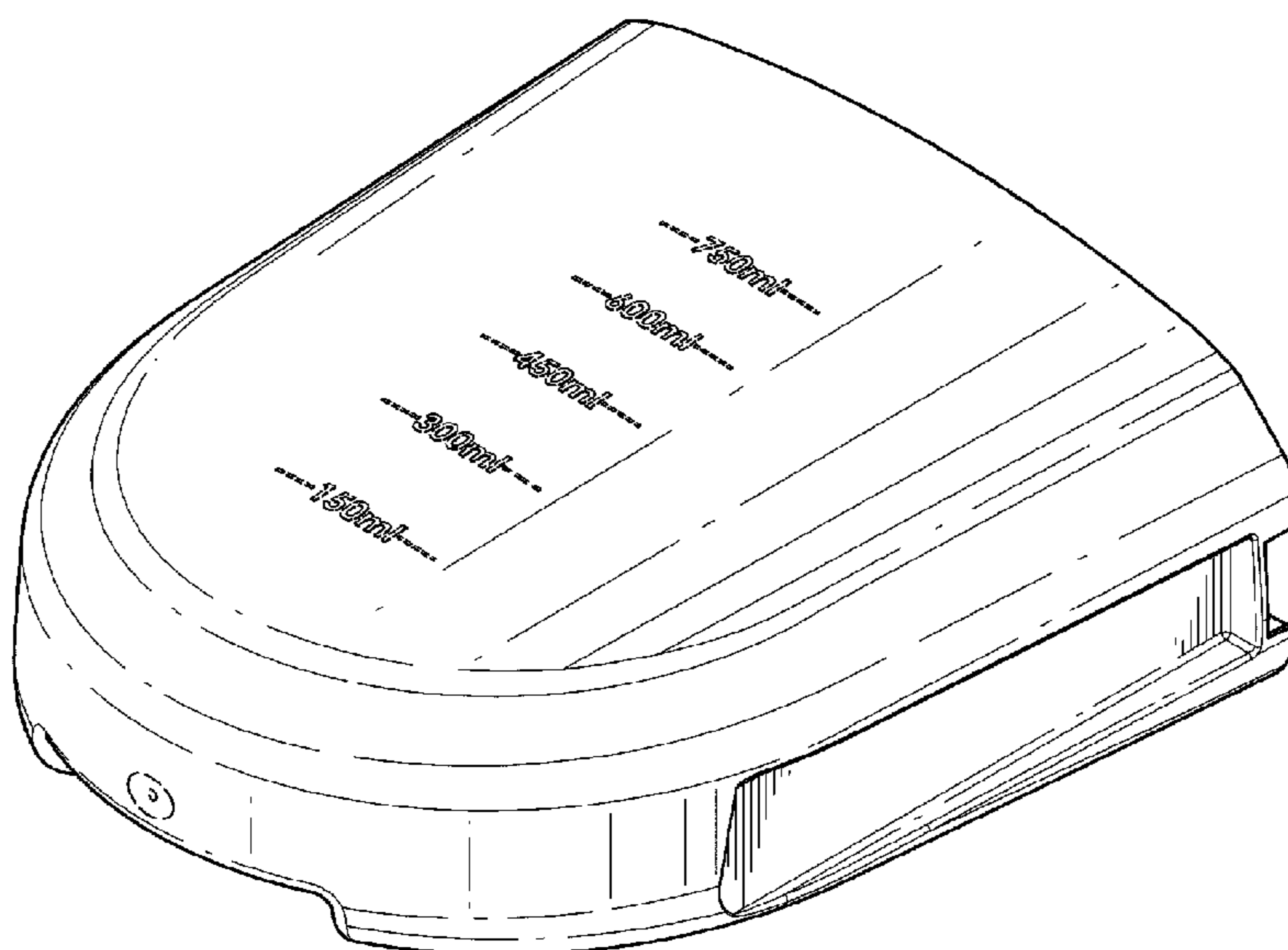
The broken lines in the drawings that are immediately adjacent to the shaded areas represent an unclaimed boundary of the claimed design. The broken lines showing the remainder of the canister are for illustrative purposes only and form no part of the claimed design.

(56) **References Cited**

U.S. PATENT DOCUMENTS

D352,463 S	11/1994	Kubo
D400,249 S	10/1998	Holubar et al.
6,010,527 A	1/2000	Augustine et al.
D449,891 S	10/2001	Moro
D456,514 S	4/2002	Brown et al.
6,468,199 B1	10/2002	Satou et al.
D481,459 S	10/2003	Naham
6,755,807 B2	6/2004	Risk, Jr. et al.
D504,953 S	5/2005	Ryan
D522,657 S	6/2006	Murphy et al.
D537,944 S	3/2007	Eda et al.
D544,092 S	6/2007	Lewis
D548,347 S	8/2007	Ichino et al.

1 Claim, 4 Drawing Sheets



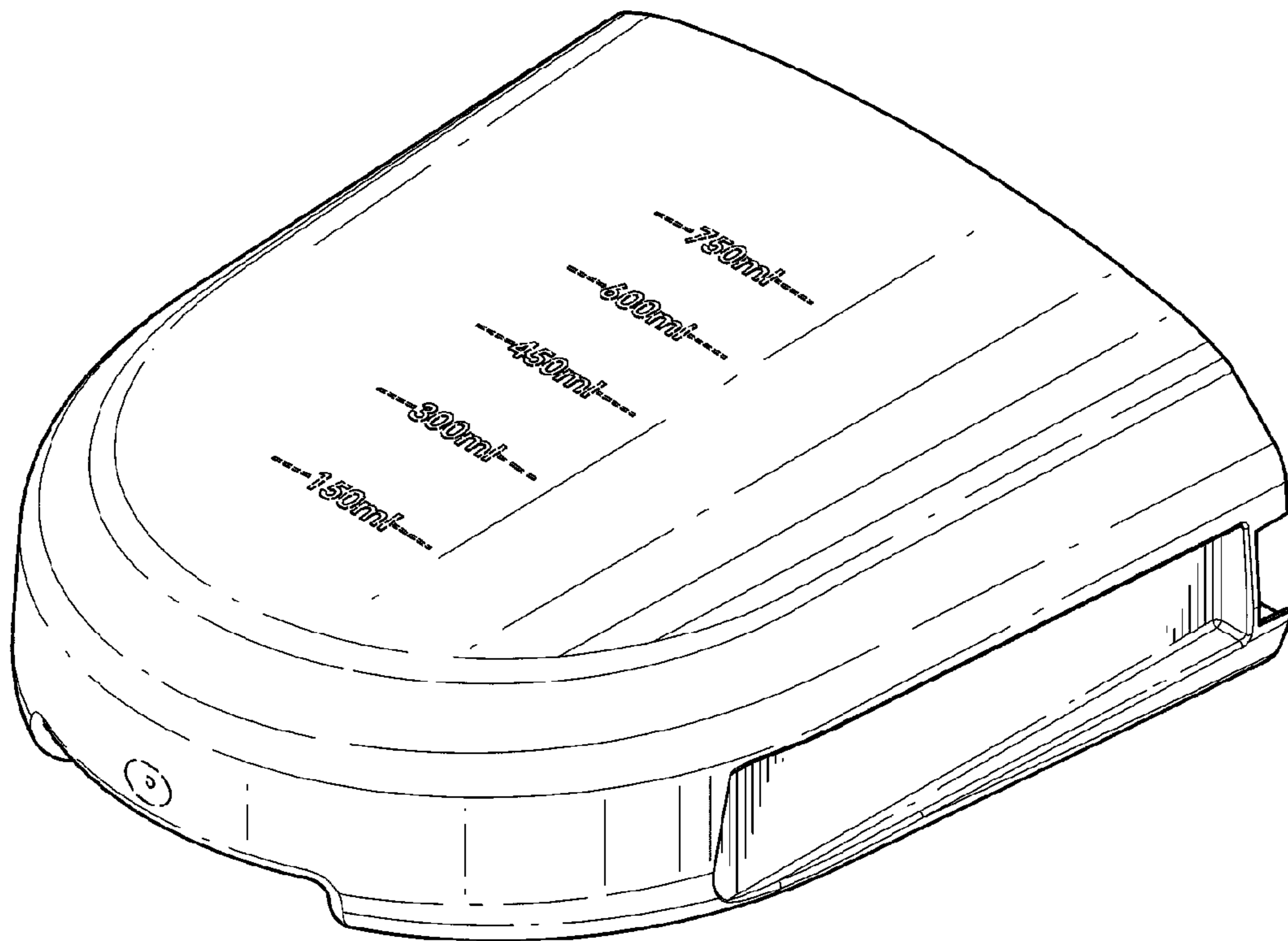


FIG. 1

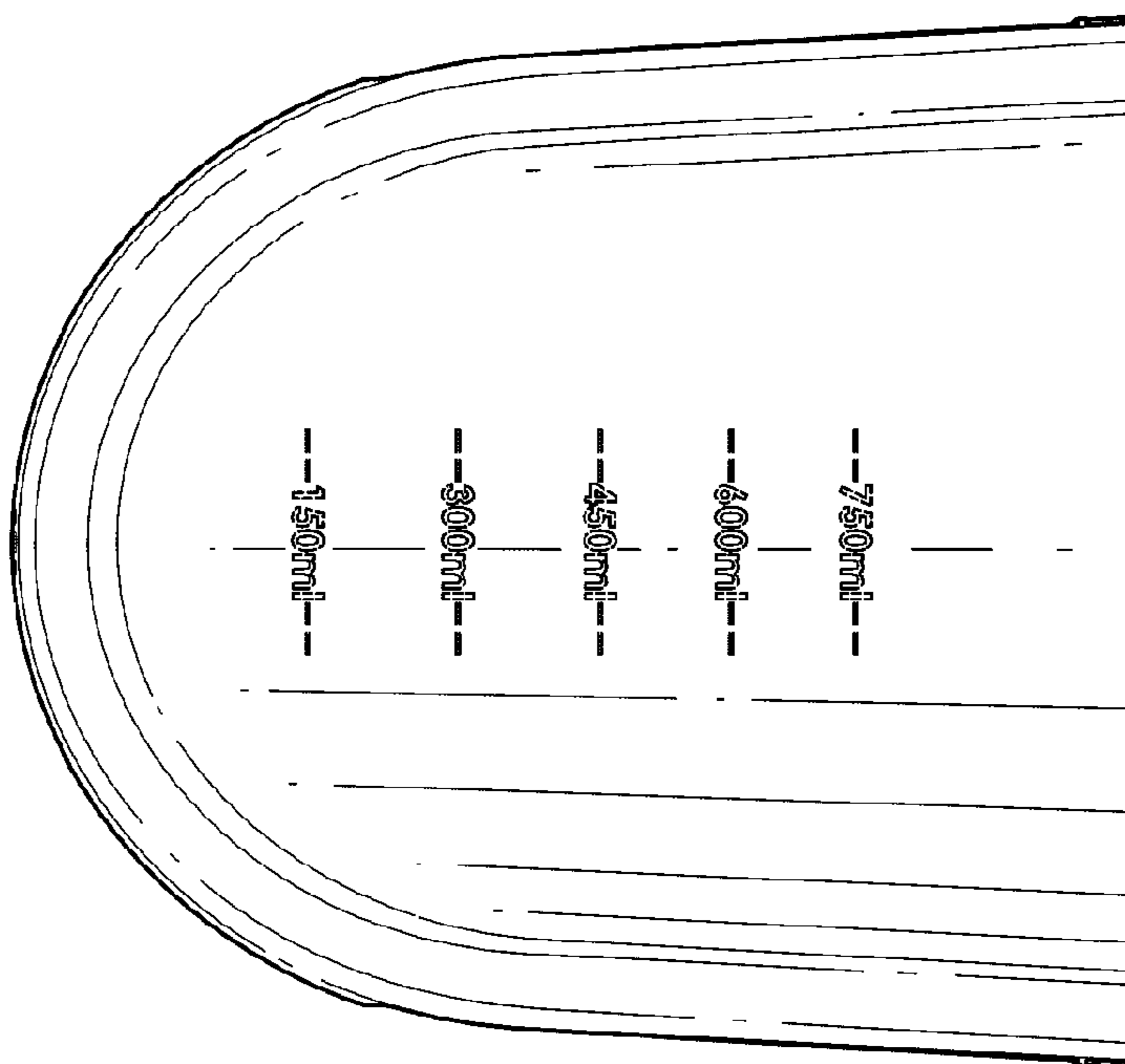


FIG. 2

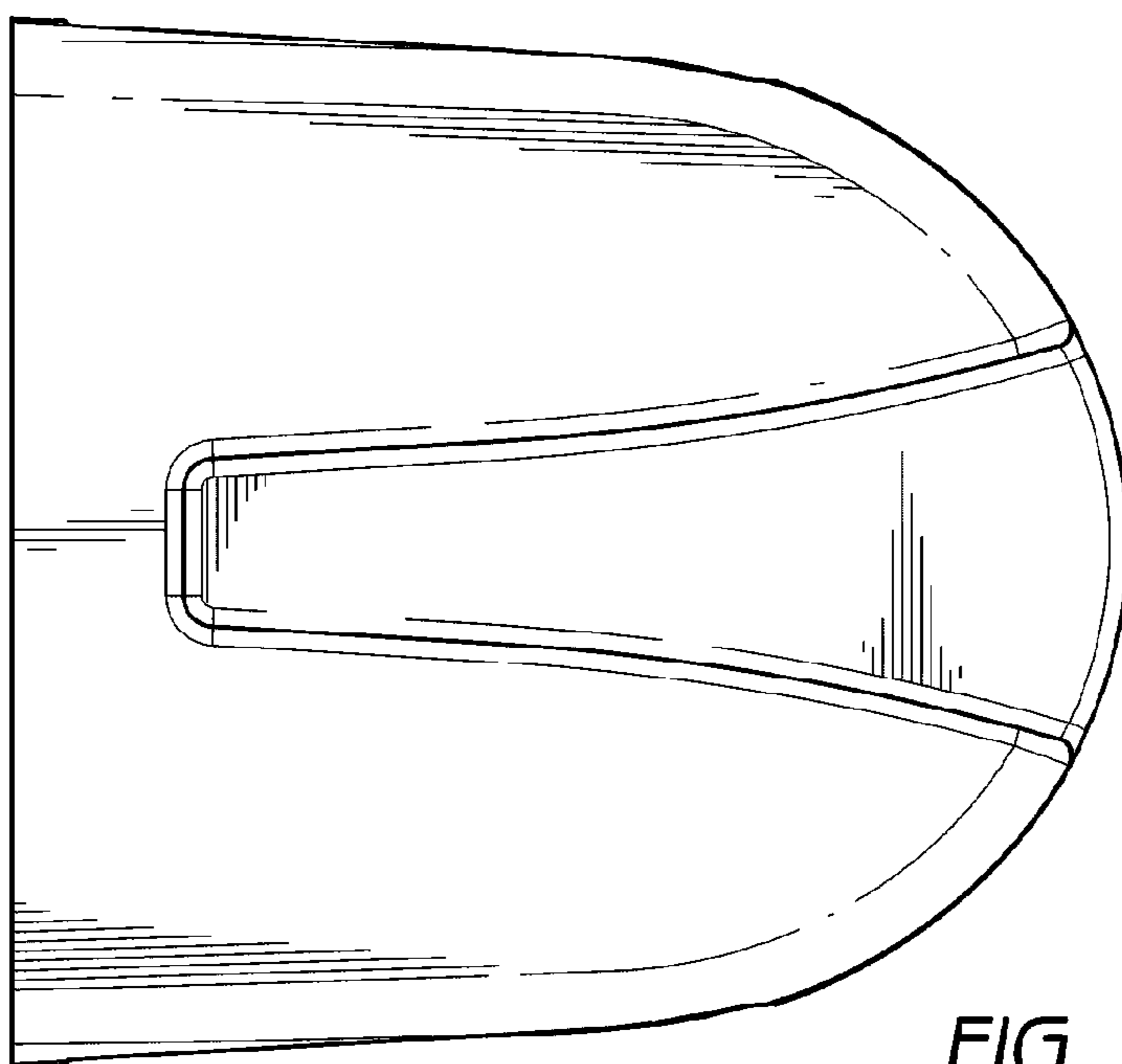


FIG. 3

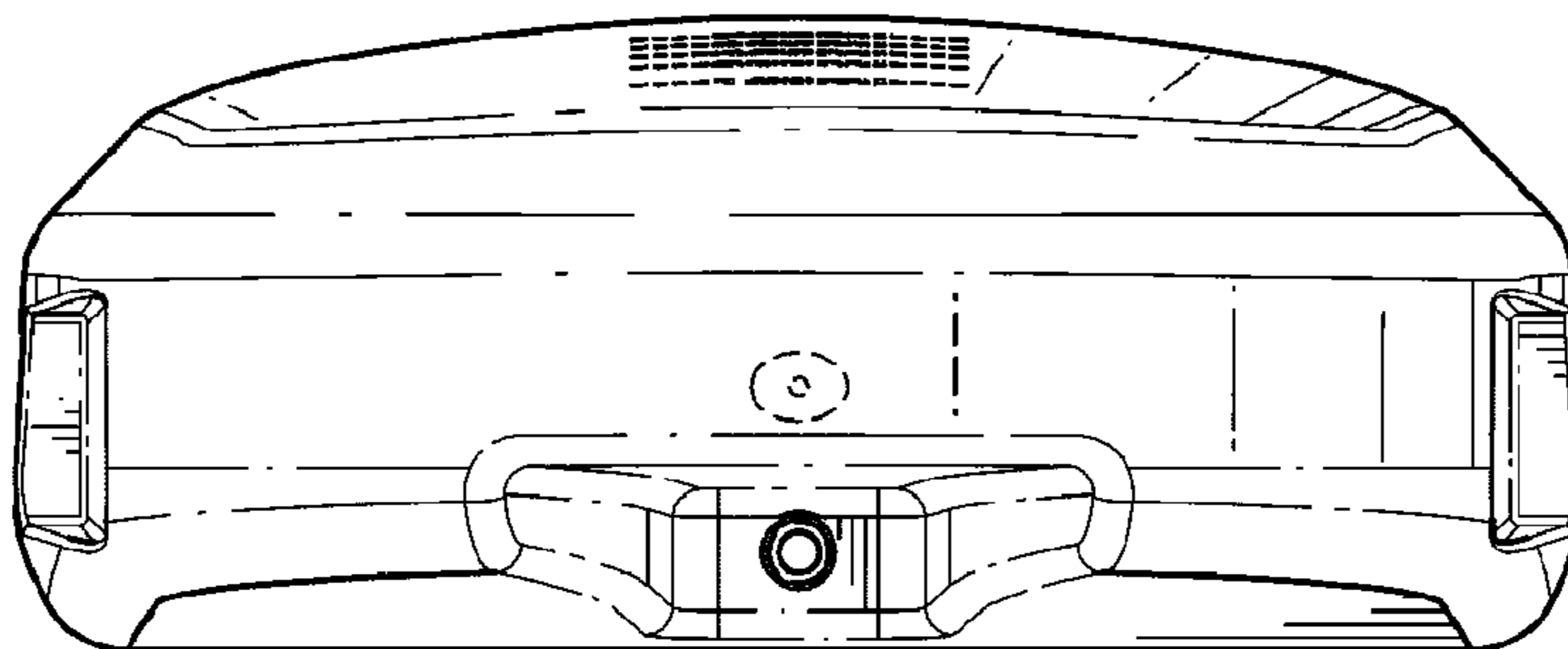


FIG. 4

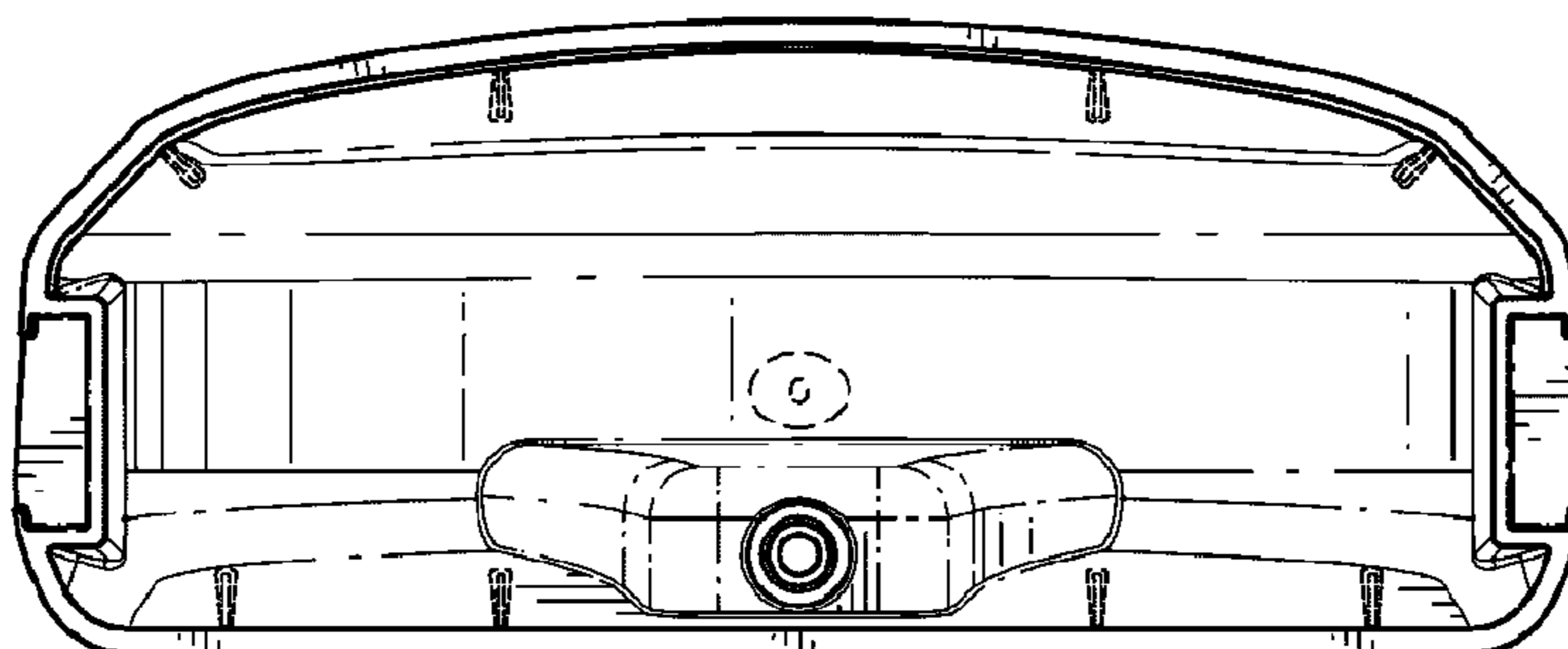


FIG. 5

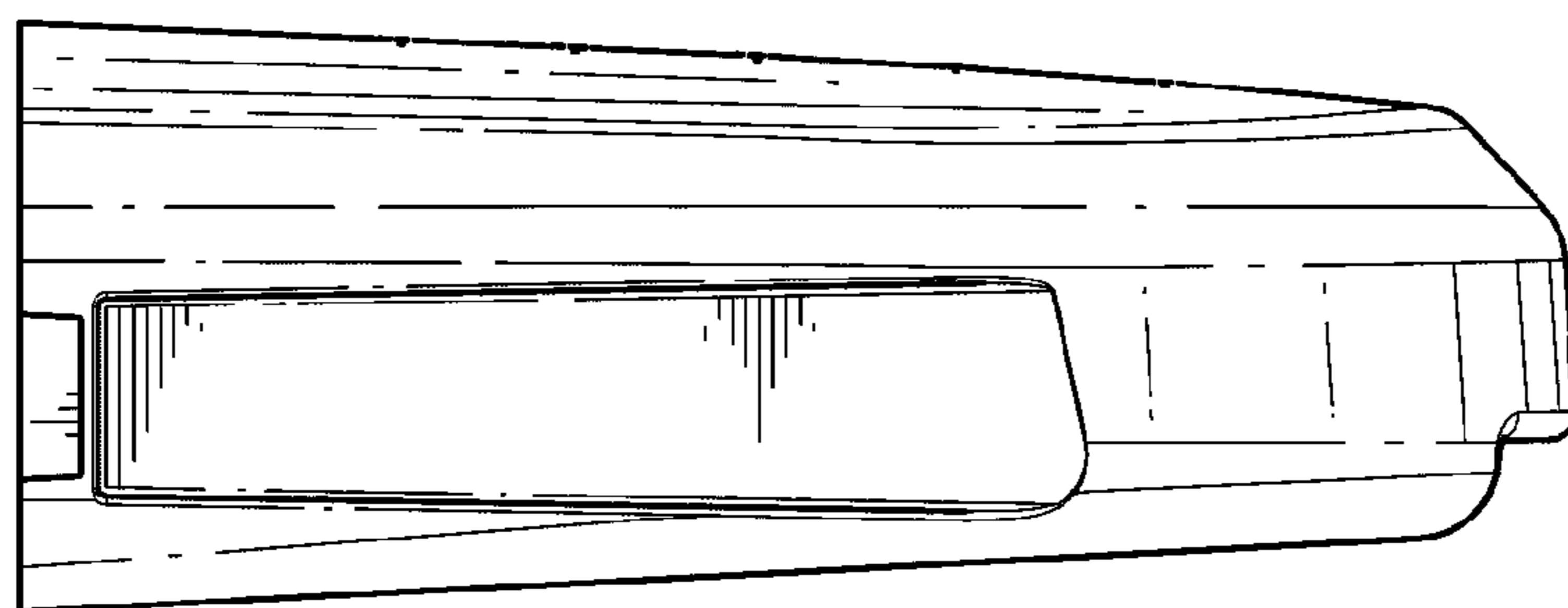


FIG. 6

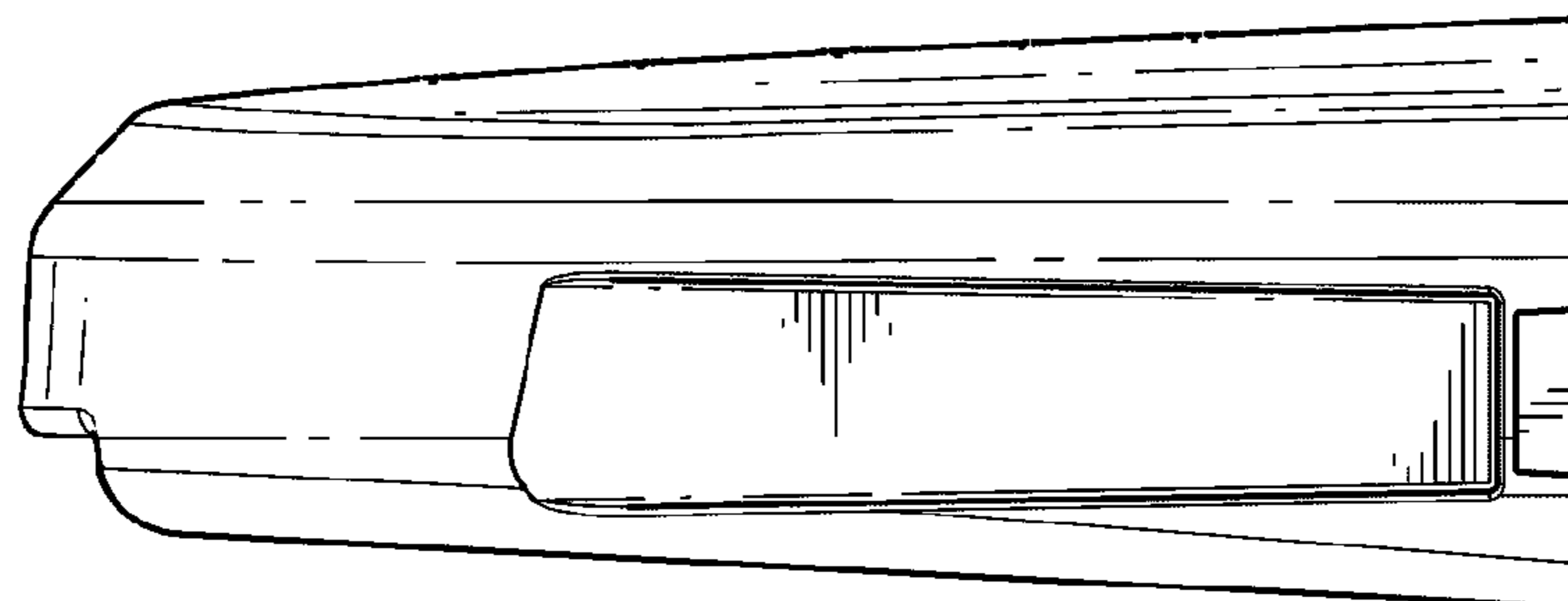


FIG. 7