



US00D650893S

(12) **United States Design Patent**
Fizer

(10) **Patent No.:** **US D650,893 S**

(45) **Date of Patent:** **** Dec. 20, 2011**

(54) **UPRIGHT FAN**

(75) Inventor: **Richard W. Fizer**, Lexington, KY (US)

(73) Assignee: **Delta T Corporation**, Lexington, KY (US)

(**) Term: **14 Years**

(21) Appl. No.: **29/338,289**

(22) Filed: **Jun. 9, 2009**

(51) **LOC (9) Cl.** **23-04**

(52) **U.S. Cl.** **D23/382; D23/378**

(58) **Field of Classification Search** D12/214;
D23/370, 378, 382; 416/93 A, 143, 153,
416/169 A, 189, 212 R, 213 R, 229 R, 234,
416/236 R, 241 A, 244 B, 246

See application file for complete search history.

(56) **References Cited**

U.S. PATENT DOCUMENTS

2,628,020	A *	2/1953	Koch	415/186
D169,007	S *	3/1953	Lindberg et al.	D23/378
3,244,124	A *	4/1966	Schafer et al.	108/12
D291,352	S *	8/1987	Kouno et al.	D23/378
5,203,826	A *	4/1993	Dalebout	74/573.1
D339,859	S *	9/1993	Cheslock	D23/382
D388,869	S *	1/1998	Wang	D23/378
D452,734	S *	1/2002	Blateri et al.	D23/382
D484,586	S *	12/2003	Intravatola	D23/370
6,692,231	B1 *	2/2004	Calvert	416/153
6,712,690	B1 *	3/2004	Wipf	454/285
D520,132	S *	5/2006	Jones	D23/378
7,507,074	B2 *	3/2009	Munshi et al.	416/246

OTHER PUBLICATIONS

Delta T Corporation, Photographs of "C8" Fan (photographs unpublished—though the "C8" Fan itself was on sale and/or publicly disclosed before Jun. 9, 2009).

Delta T Corporation, "Installation Manual," dated May 2, 2007.

Screenshots from http://www.airkinglimited.com/airking/default.asp?action=read&art_id=468, printed Jun. 26, 2009.

Screenshots from http://www.airkinglimited.com/airking/default.asp?action=read&art_id=458, printed Jun. 26, 2009.

Screenshots from http://www.airkinglimited.com/airking/admin/article_instructions/9314.pdf, printed Jun. 26, 2009.

Screenshots from http://www.airkinglimited.com/airking/default.asp?action=read&art_id=459, printed Jun. 26, 2009.

Screenshots from http://www.airkinglimited.com/airking/admin/article_instructions/9224.pdf, printed Jun. 26, 2009.

Screenshots from http://www.airkinglimited.com/airking/admin/article_instructions/9219.pdf, printed Jun. 26, 2009.

Screenshots from http://www.airkinglimited.com/airking/default.asp?action=read&art_id=460, printed Jun. 26, 2009.

Screenshots from http://www.airkinglimited.com/airking/admin/article_instructions/DrumFanIO.pdf, printed Jun. 26, 2009.

Screenshots from http://www.airkinglimited.com/airking/default.asp?action=read&art_id=470, printed Jun. 26, 2009.

* cited by examiner

Primary Examiner — Susan E Krakower

(74) *Attorney, Agent, or Firm* — Frost Brown Todd LLC

(57) **CLAIM**

The ornamental design for a upright fan, as shown and described.

DESCRIPTION

FIG. 1 is a top perspective view of a upright fan, showing my new design;

FIG. 2 is a front elevational view thereof;

FIG. 3 is a back elevational view thereof;

FIG. 4 is a right elevational view thereof;

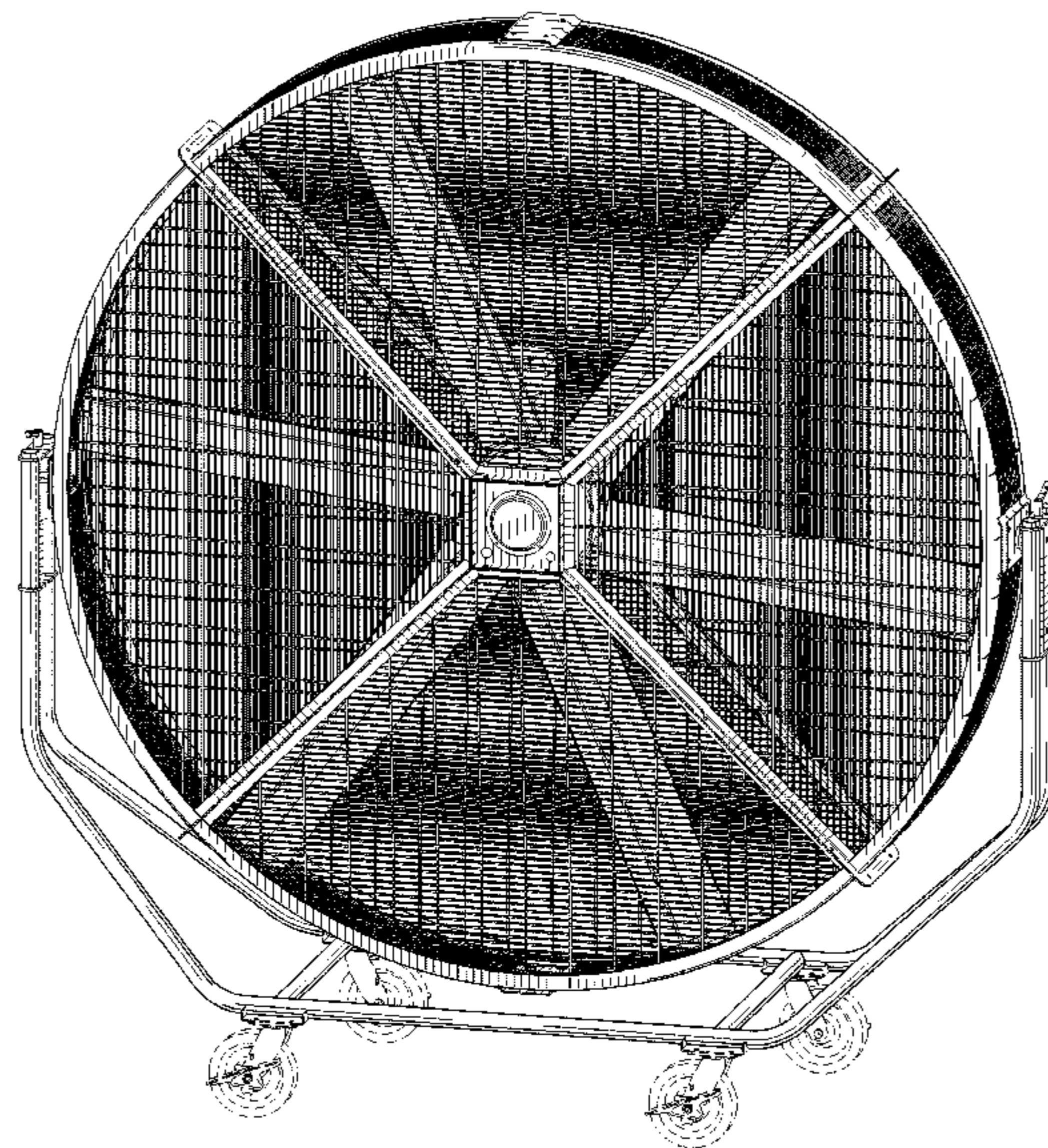
FIG. 5 is a left elevational view thereof;

FIG. 6 is a top plan view thereof; and,

FIG. 7 is a bottom plan view thereof.

The wheel components, motor components, and control components shown in broken lines are unclaimed environment, and form no part of the claimed design.

1 Claim, 7 Drawing Sheets



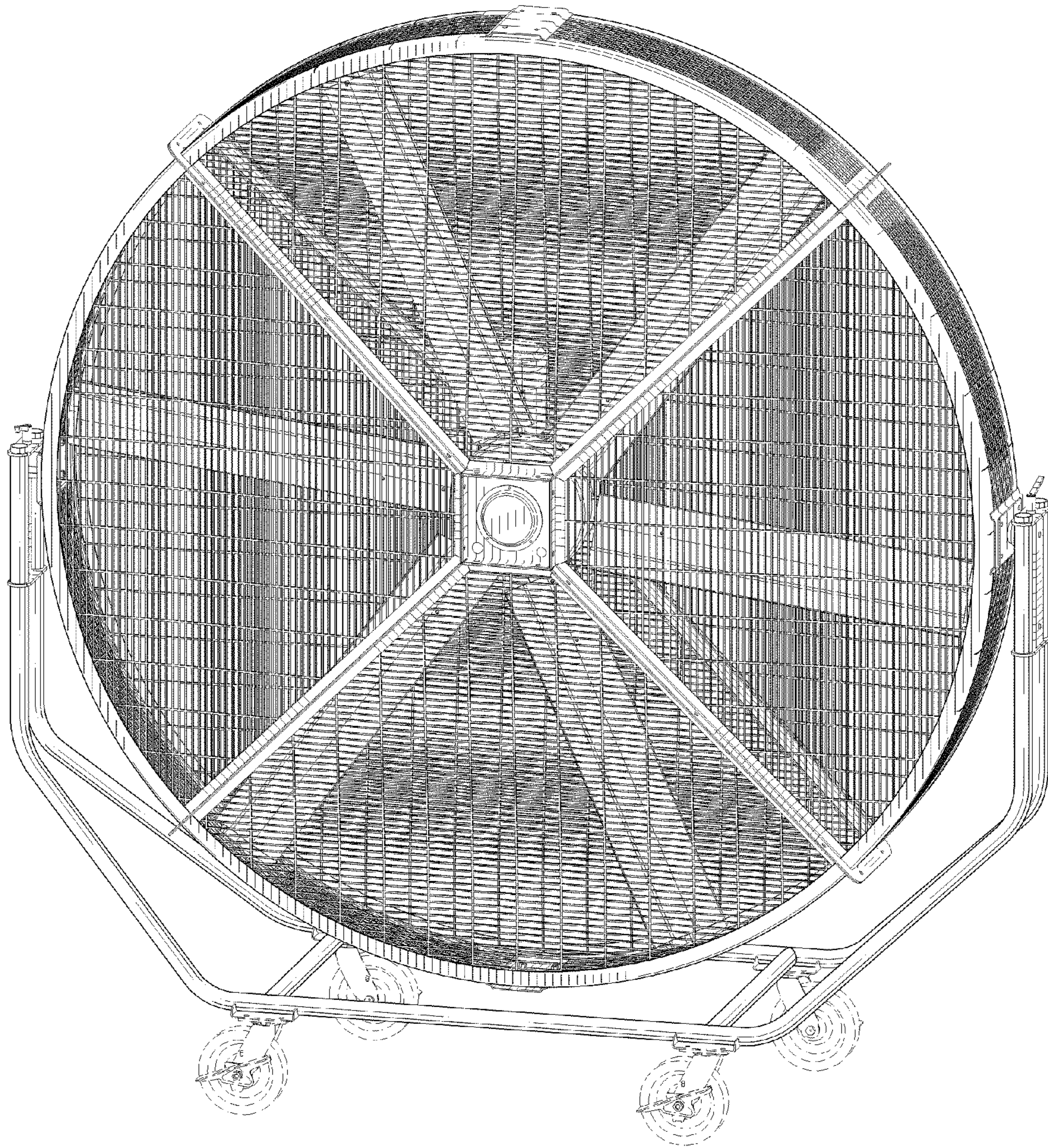


FIG. 1

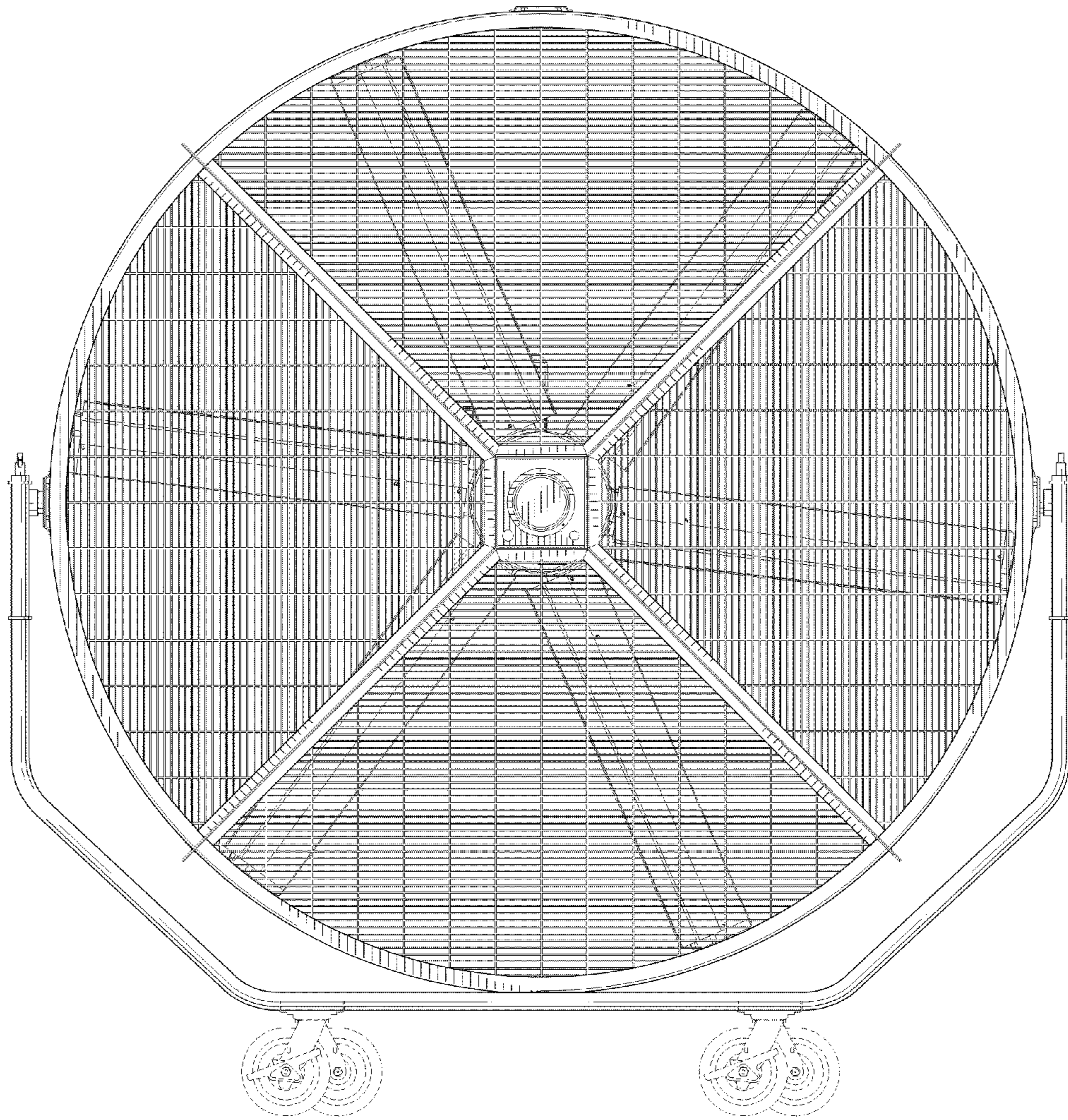


FIG. 2

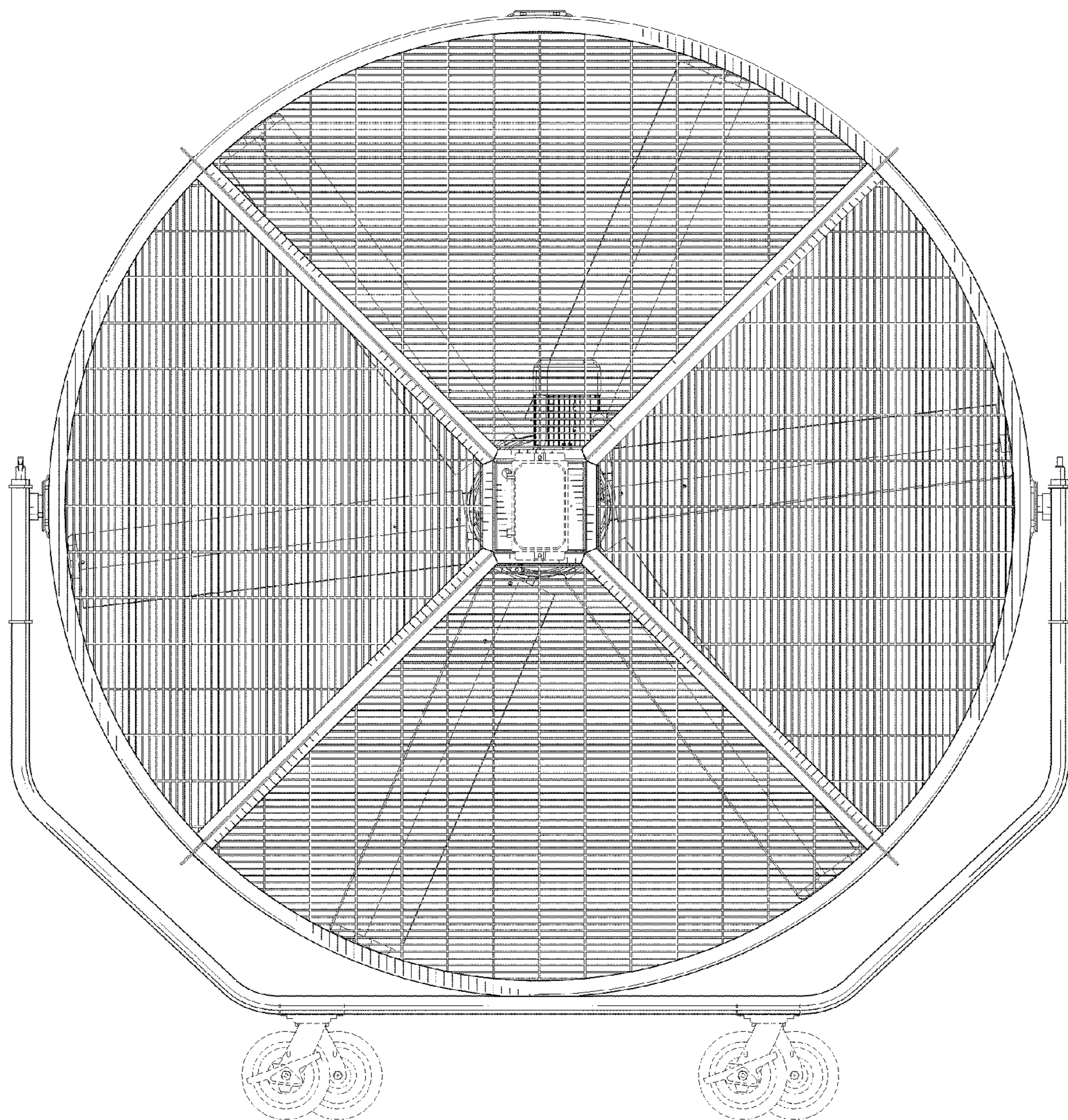


FIG. 3

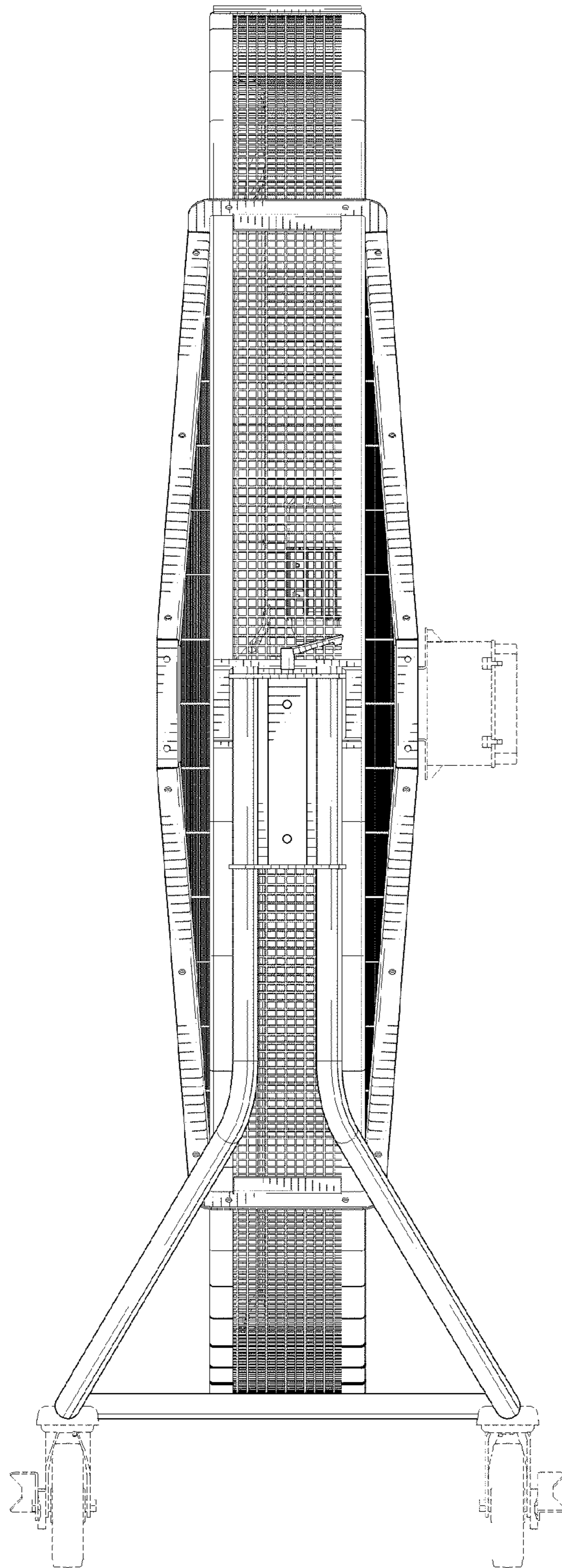


FIG. 4

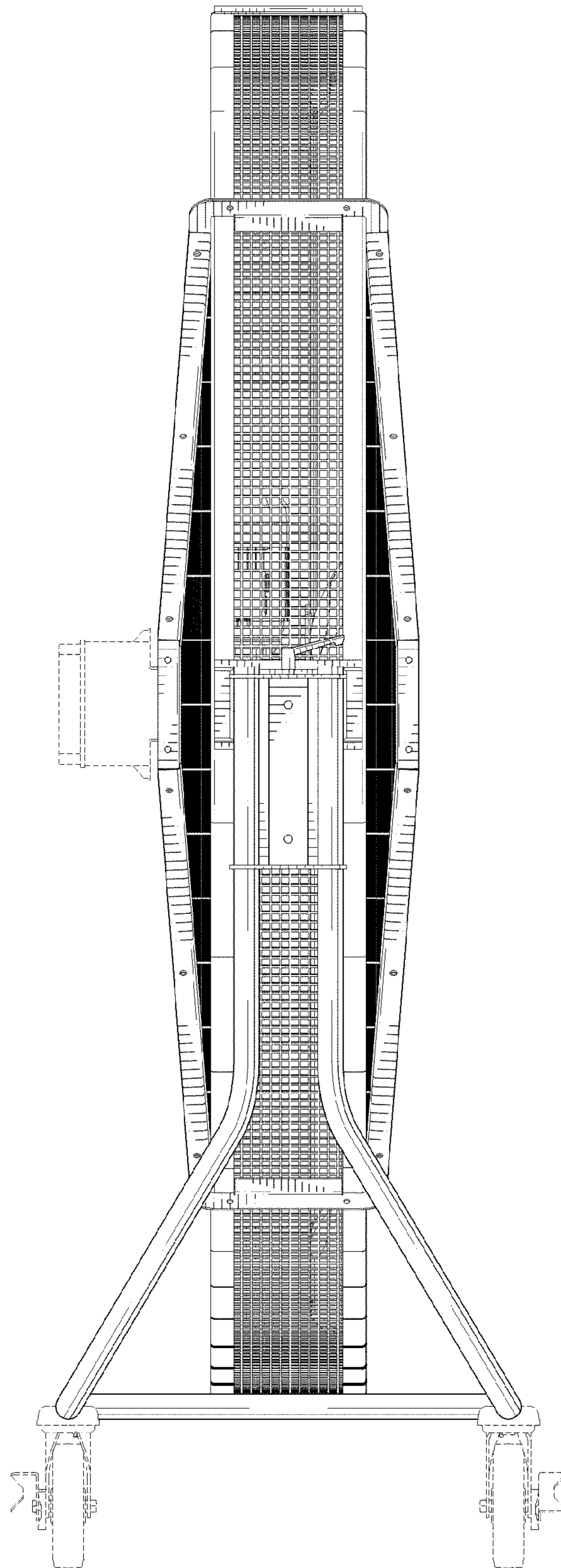


FIG. 5

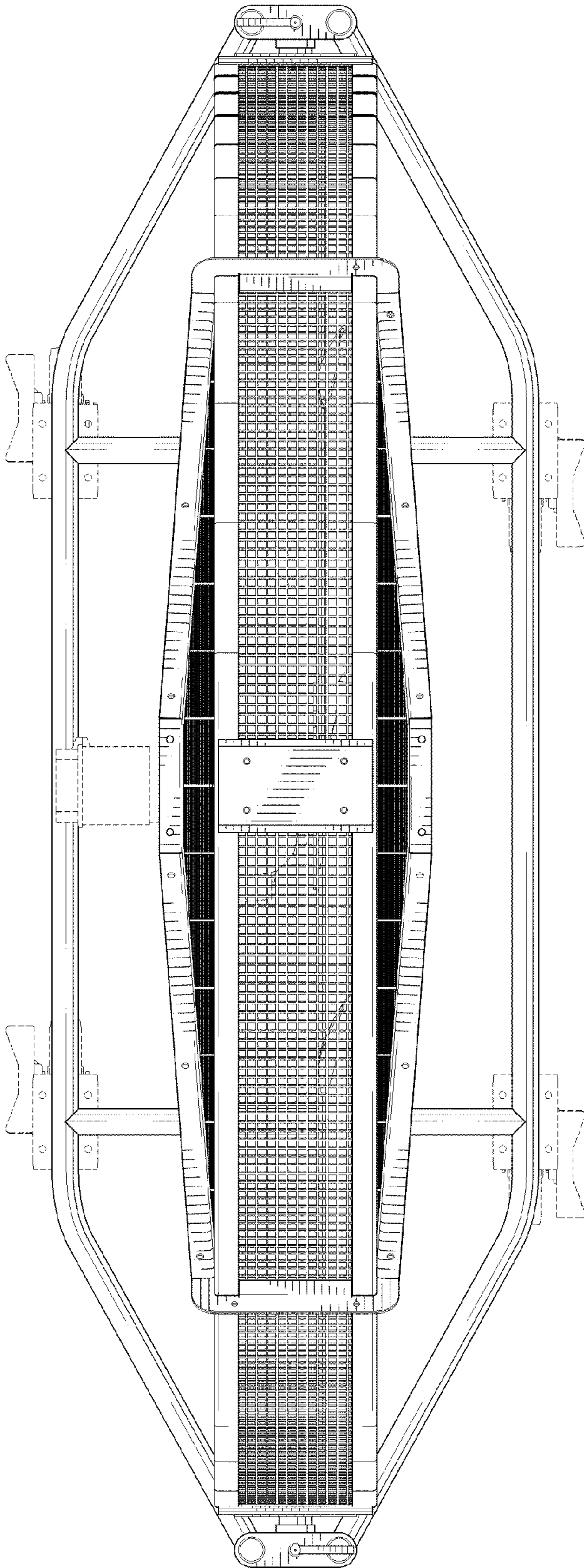


FIG. 6

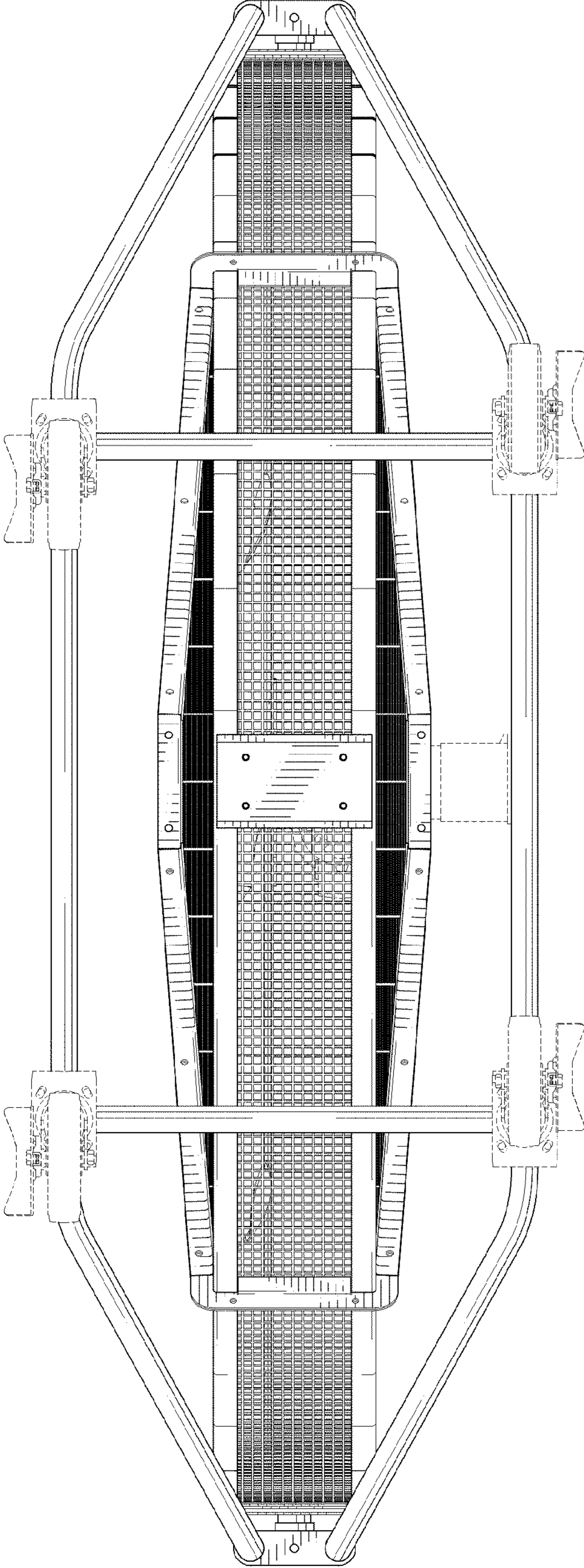


FIG. 7