



US00D650889S

(12) **United States Design Patent**  
**van Walraven**

(10) **Patent No.:** **US D650,889 S**

(45) **Date of Patent:** **\*\* Dec. 20, 2011**

(54) **COLLAR FOR PIPES**

(75) Inventor: **Jan van Walraven**, Mijdrecht (NL)

(73) Assignee: **J. Van Walraven Holding B.V.** (NL)

(\*\*) Term: **14 Years**

(21) Appl. No.: **29/380,233**

(22) Filed: **Dec. 2, 2010**

**Related U.S. Application Data**

(63) Continuation-in-part of application No. 29/304,573, filed on Mar. 4, 2008, now abandoned.

(30) **Foreign Application Priority Data**

Sep. 17, 2007 (EM) ..... 000790480-0003

(51) **LOC (9) Cl.** ..... **23-01**

(52) **U.S. Cl.** ..... **D23/265**

(58) **Field of Classification Search** ..... D23/259-262;  
239/428.5; 261/DIG. 22; D8/396; 285/1,  
285/112, 179, 340, 367, 373, 404, 53, 915;  
403/291, 300; 411/5, 10; 137/801  
See application file for complete search history.

(56) **References Cited**

**U.S. PATENT DOCUMENTS**

1,930,194	A *	10/1933	Dillon	.....	285/104
2,319,518	A	5/1943	Rau		
D142,057	S *	8/1945	Baxter	.....	D23/265
2,650,115	A *	8/1953	Taylor	.....	285/105
3,166,812	A *	1/1965	Hepburn	.....	24/279
4,008,937	A	2/1977	Filippi		
4,471,979	A	9/1984	Gibb et al.		
4,639,020	A *	1/1987	Rung et al.	.....	285/367
4,664,428	A	5/1987	Bridges		
5,058,931	A	10/1991	Bowsher		
D383,195	S	9/1997	Sonden et al.		

5,772,253	A *	6/1998	Hodge et al.	.....	285/15
6,170,884	B1	1/2001	McLennan et al.		
6,626,466	B1	9/2003	Dole		
6,877,780	B2	4/2005	Potts et al.		
6,880,859	B2	4/2005	Breay et al.		
D616,532	S *	5/2010	Madara et al.	.....	D23/262
D618,312	S *	6/2010	Madara et al.	.....	D23/262
D618,314	S *	6/2010	Bowman et al.	.....	D23/262
D625,786	S *	10/2010	Bowman et al.	.....	D23/262
D629,496	S *	12/2010	Madara et al.	.....	D23/262
2004/0036291	A1	2/2004	Dole		
2005/0212296	A1	9/2005	Dole		
2005/0242585	A1	11/2005	Dole et al.		
2006/0284420	A1	12/2006	Dole		

\* cited by examiner

*Primary Examiner* — T. Chase Nelson

*Assistant Examiner* — Eric Goodman

(74) *Attorney, Agent, or Firm* — Ryan A. Schneider, Esq.; Troutman Sanders LLP

(57) **CLAIM**

The ornamental design for a collar for pipes, as shown and described.

**DESCRIPTION**

FIG. 1 is a first perspective view of the collar for pipes design of the present invention;  
FIG. 2 is a partial exploded view of the collar for pipes design of FIG. 1;  
FIG. 3 is an open view of the collar for pipes design of FIG. 1;  
FIG. 4 is a front elevation view of the collar for pipes design of FIG. 1  
FIG. 5 is a side elevation view of the collar for pipes design of FIG. 1;  
FIG. 6 is a top elevation view of the collar for pipes design of FIG. 1; and,  
FIG. 7 is a bottom elevation view of the collar for pipes design of FIG. 1.

**1 Claim, 5 Drawing Sheets**

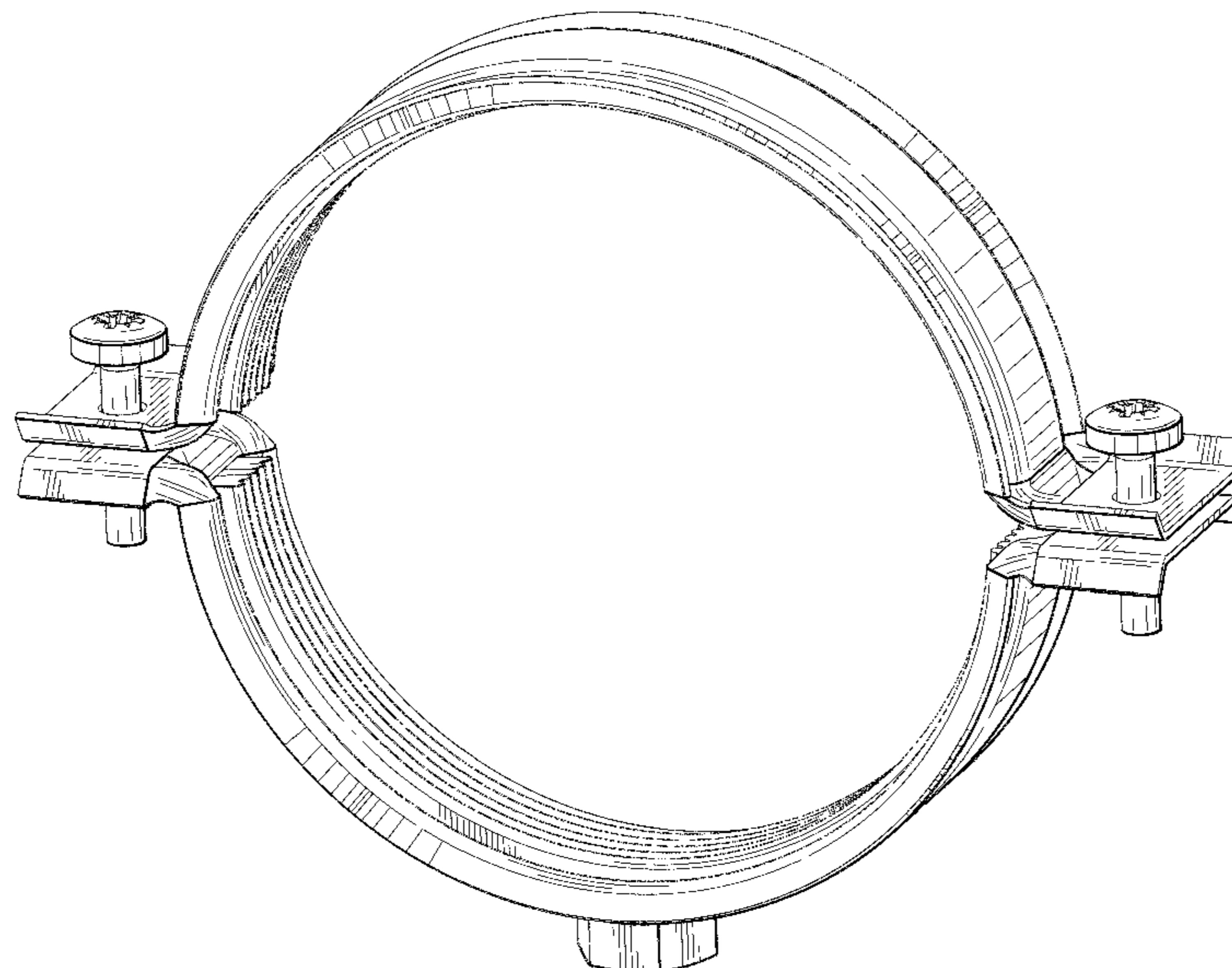




FIG. 1

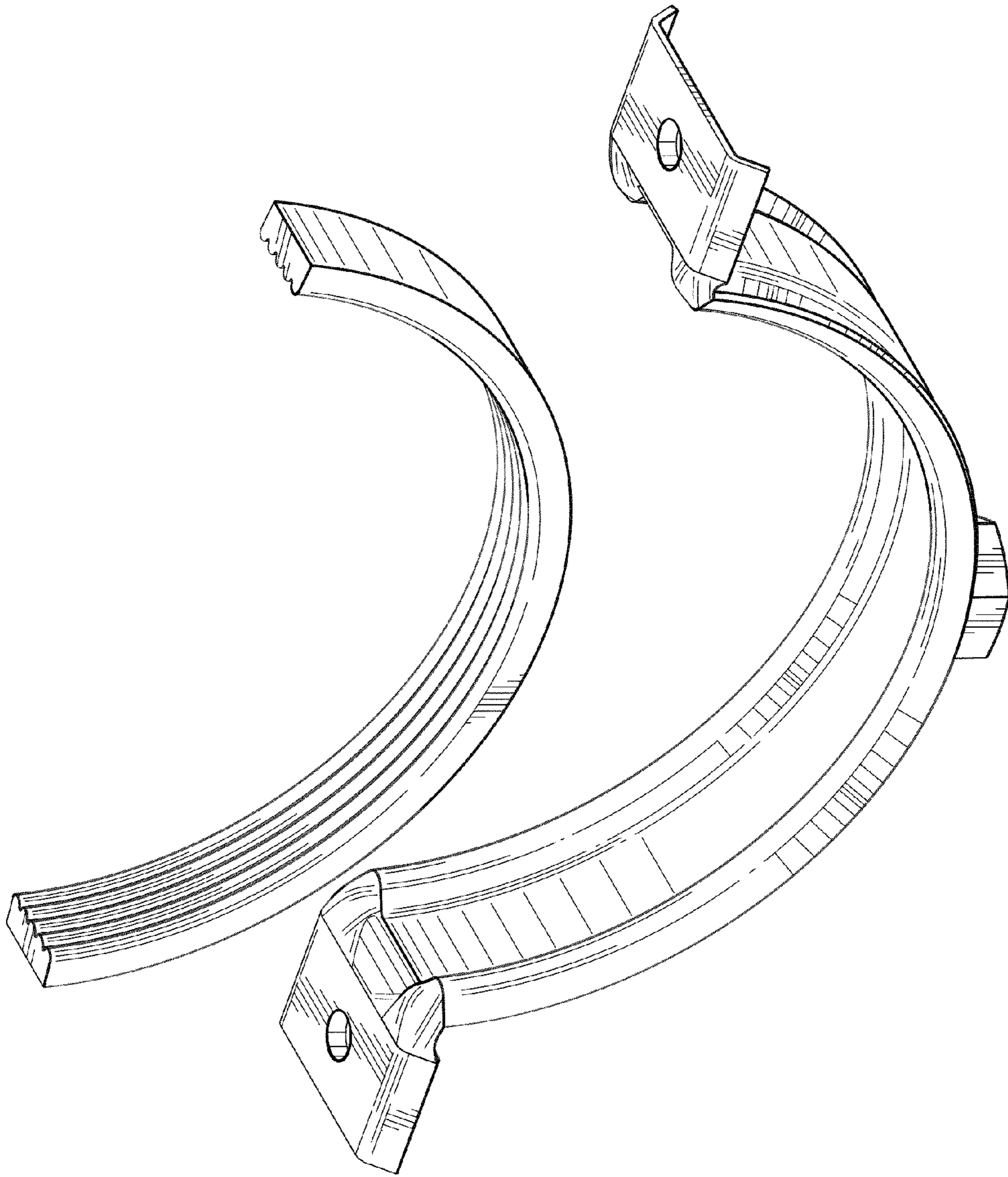


FIG. 2

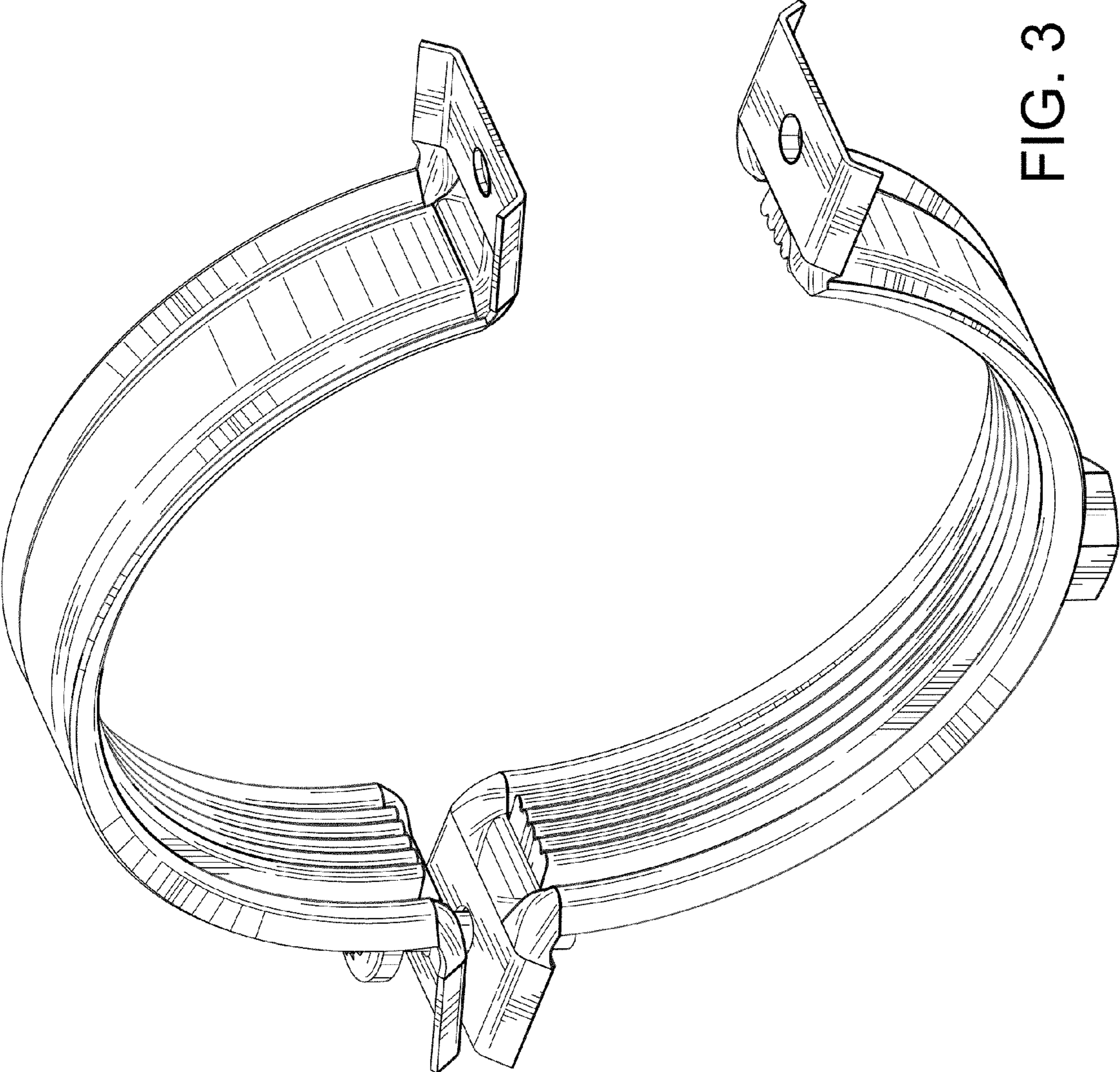


FIG. 3

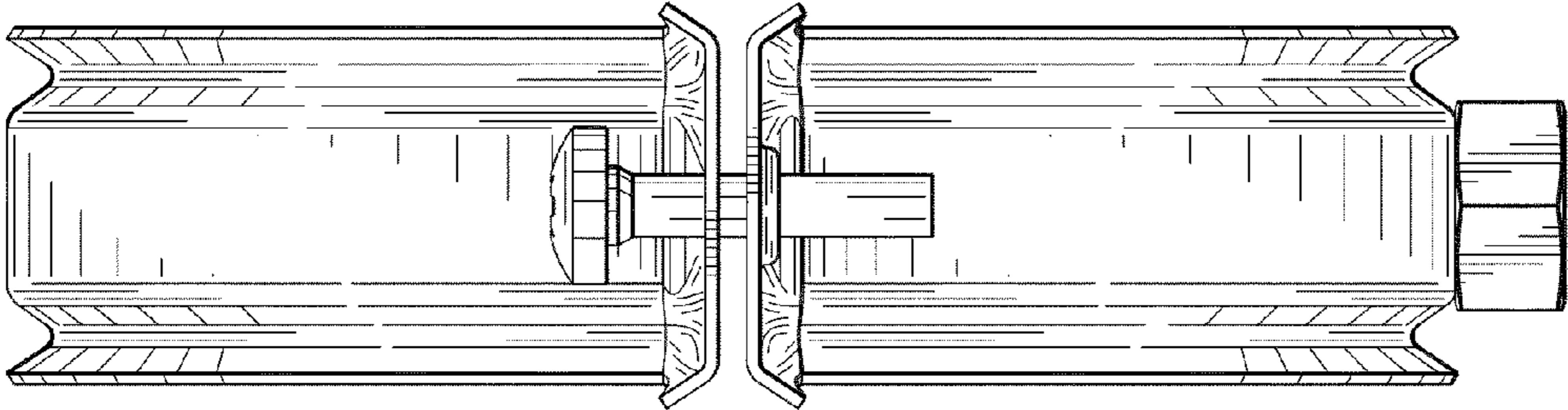


FIG. 5

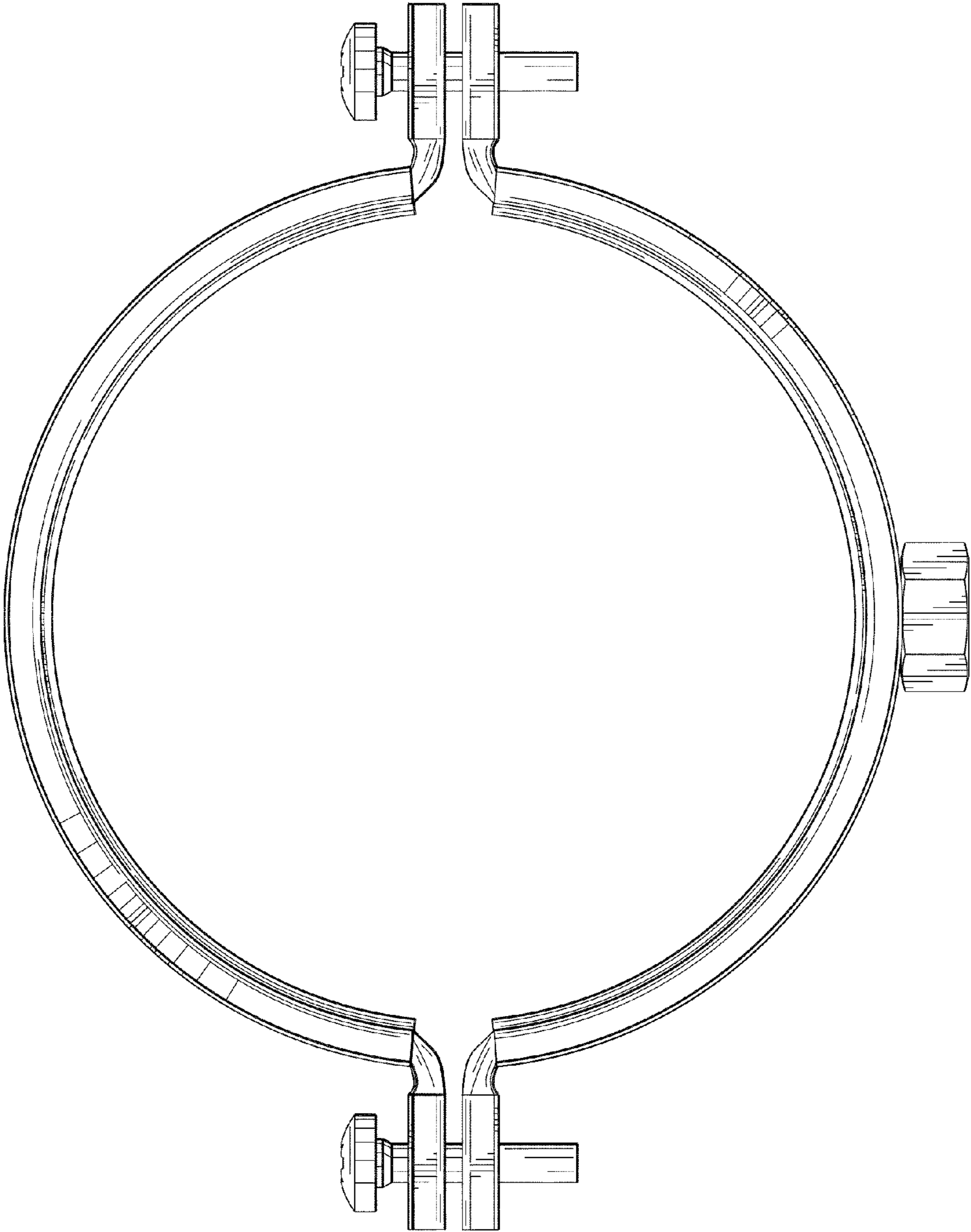


FIG. 4

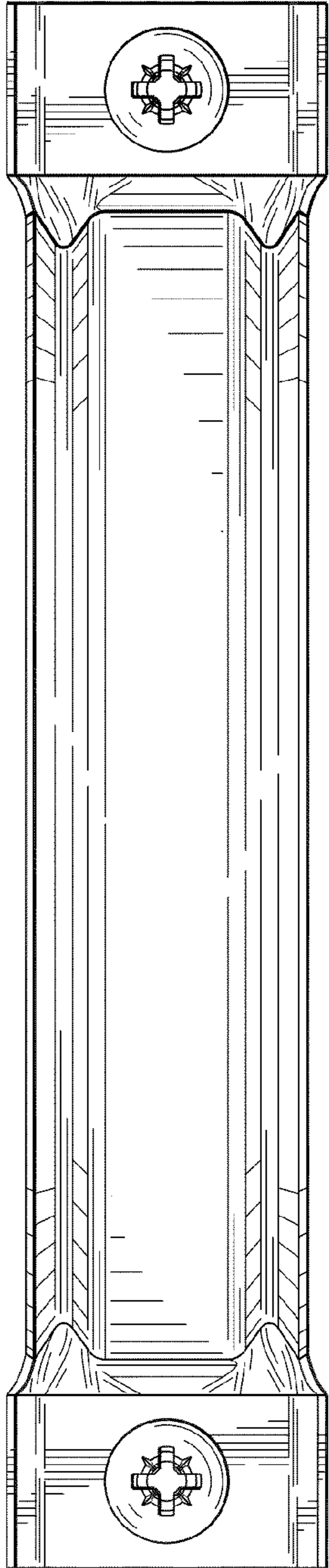


FIG. 6

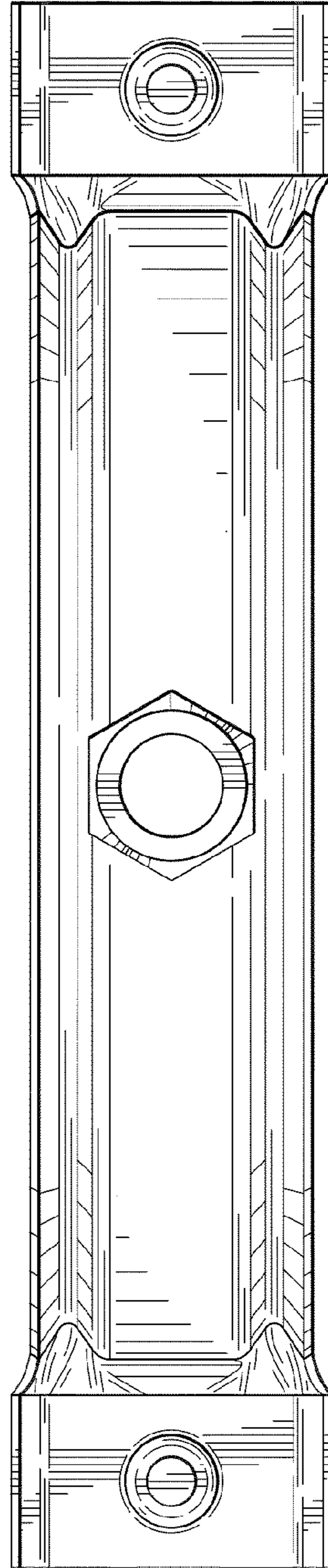


FIG. 7