



US00D650888S

(12) **United States Design Patent**
Moretto

(10) **Patent No.:** **US D650,888 S**

(45) **Date of Patent:** **** Dec. 20, 2011**

(54) **PIPE FITTINGS**

(75) Inventor: **Renato Moretto**, Padua (IT)

(73) Assignee: **Moretto S.p.A.**, Massanzago, Padua (IT)

(**) Term: **14 Years**

(21) Appl. No.: **29/340,323**

(22) Filed: **Jul. 16, 2009**

(30) **Foreign Application Priority Data**

Jan. 21, 2009 (EM) 001073142

(51) **LOC (9) Cl.** **23-01**

(52) **U.S. Cl.** **D23/259**

(58) **Field of Classification Search** D23/259-269;
285/155, 179, 150, 423, 156, 288, 230, 237,
285/238, 405; 138/172-173

See application file for complete search history.

(56) **References Cited**

U.S. PATENT DOCUMENTS

1,969,588	A *	8/1934	Sweet	285/238
3,291,670	A *	12/1966	Usab	156/245
D214,906	S *	8/1969	Stelmeyer	D13/173
3,791,679	A *	2/1974	Glover	285/132.1
3,873,391	A *	3/1975	Plauka et al.	156/258
4,070,044	A *	1/1978	Carrow	285/133.11
4,474,392	A *	10/1984	Vassallo et al.	285/347
4,583,772	A *	4/1986	Vassallo et al.	285/347
D357,731	S *	4/1995	Chih	D23/263
6,422,608	B1 *	7/2002	Lee et al.	285/179
D475,449	S *	6/2003	Stout, Jr.	D23/393
D638,521	S *	5/2011	Matusche	D23/233

* cited by examiner

Primary Examiner — T. Chase Nelson

Assistant Examiner — Eric Goodman

(74) *Attorney, Agent, or Firm* — Shoemaker and Mattare

(57) **CLAIM**

The ornamental design for a pipe fittings, as shown and described.

DESCRIPTION

FIG. 1 is a top plan view of a first embodiment of a pipe fitting, showing my new design from the front, top and left end;

FIG. 2 is a front elevational view thereof, the rear view being a mirror image;

FIG. 3 is a right end elevation view thereof;

FIG. 4 is a top plan view thereof;

FIG. 5 is a left end elevational view thereof;

FIG. 6 is a perspective view thereof, from the left end and above;

FIG. 7 is a top plan view of a second embodiment of a pipe fitting, from the front, top and left end;

FIG. 8 is a front elevational view of FIG. 7, the rear view being a mirror image;

FIG. 9 is a right end elevation view of FIG. 7;

FIG. 10 is a top plan view of FIG. 7;

FIG. 11 is a left end elevational view of FIG. 7;

FIG. 12 is a perspective view of FIG. 7, from the left end and above;

FIG. 13 is a top plan view of a third embodiment of a pipe fitting, from the front, top and left end;

FIG. 14 is a front elevational view of FIG. 13, the rear view being a mirror image;

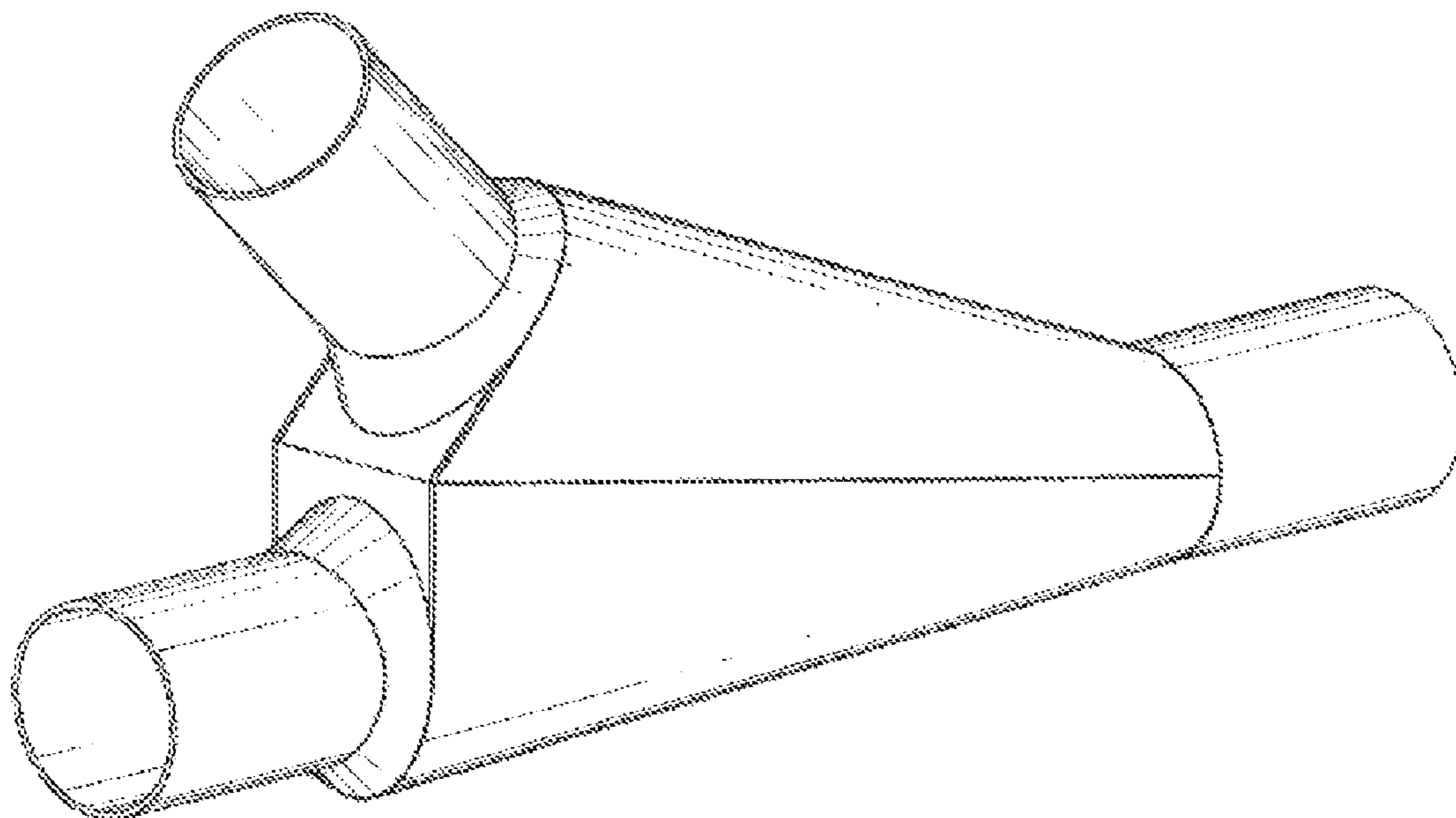
FIG. 15 is a right end elevation view of FIG. 13;

FIG. 16 is a top plan view of FIG. 13;

FIG. 17 is a left end elevational view of FIG. 13; and,

FIG. 18 is a perspective view of FIG. 13, from the left end and above.

1 Claim, 18 Drawing Sheets



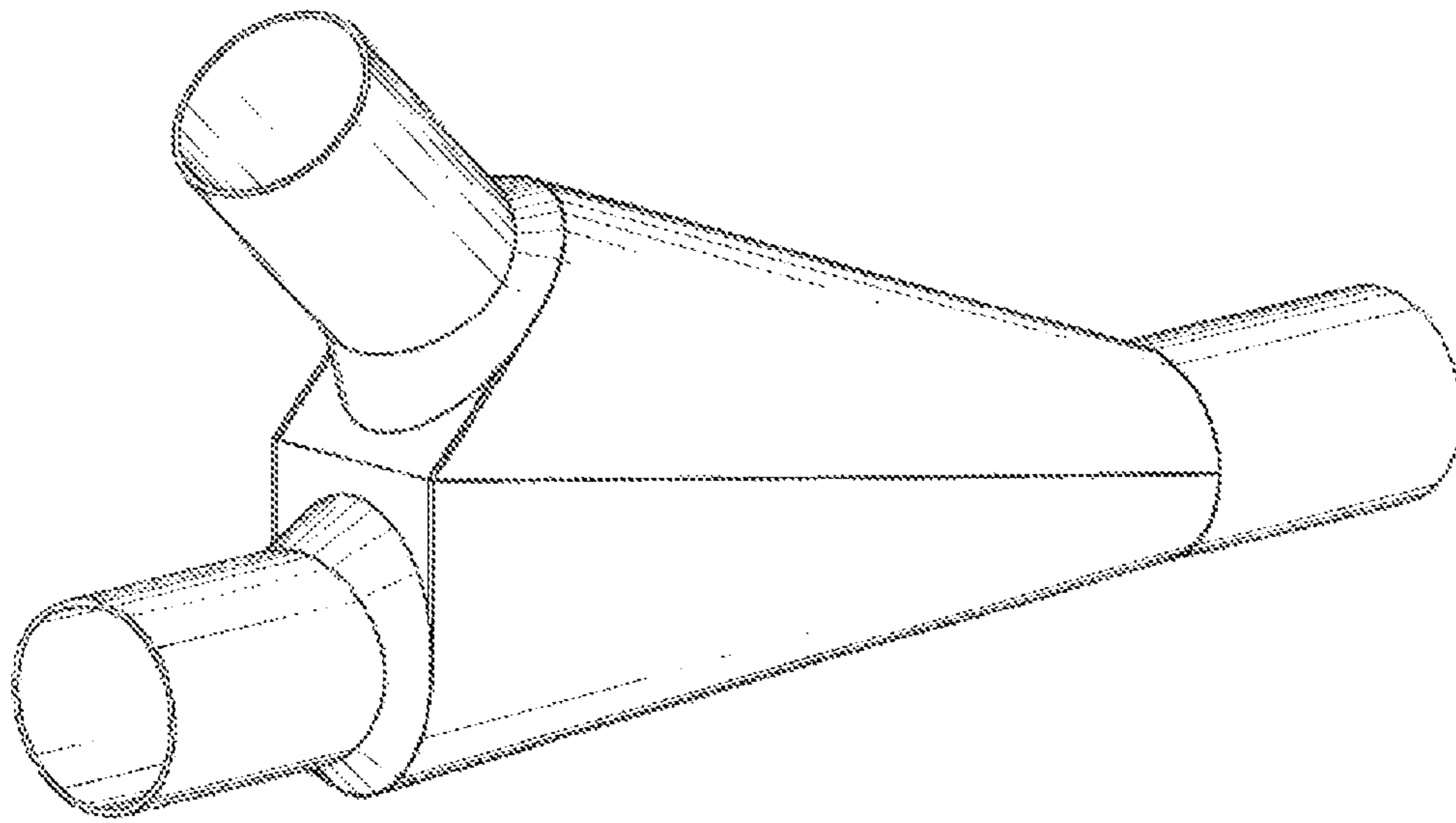


Fig. 1

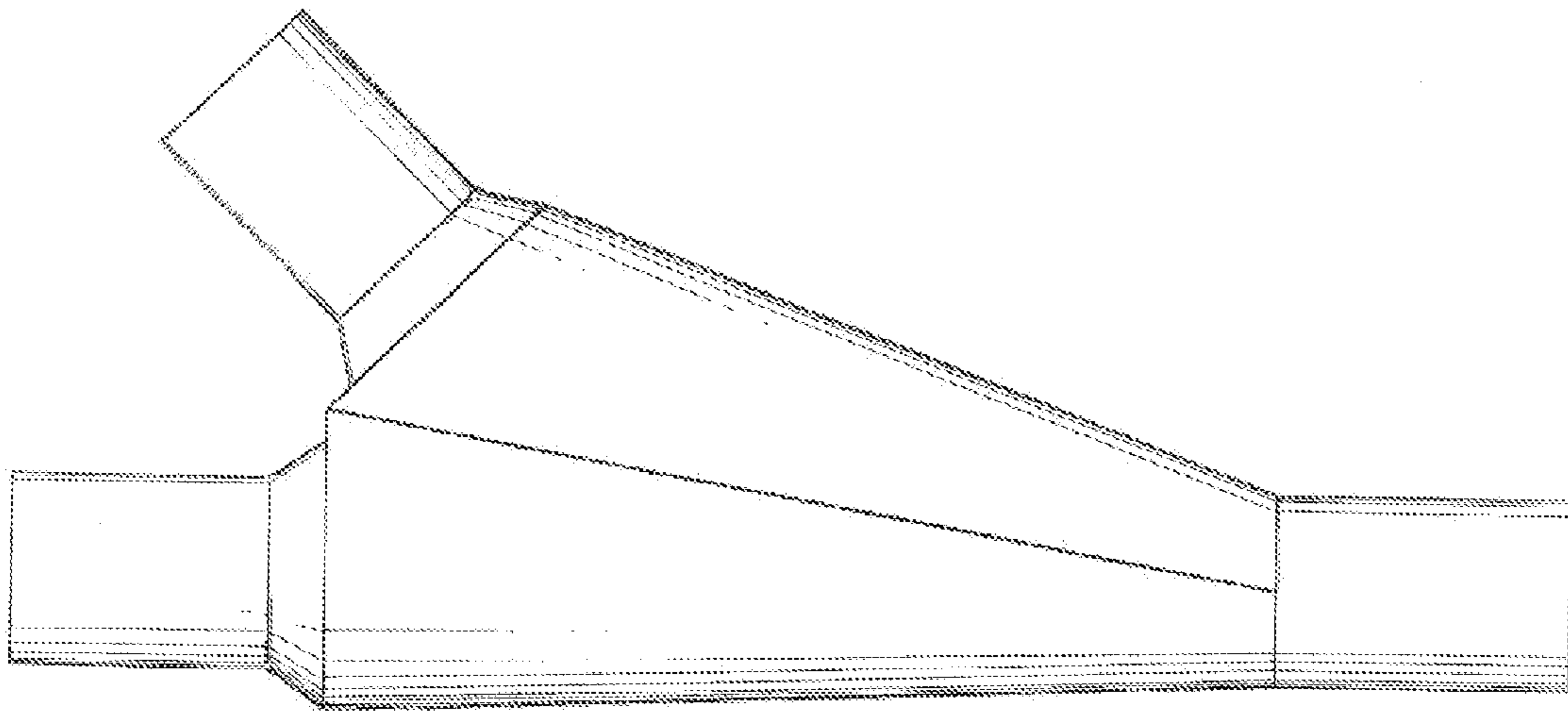


Fig. 2

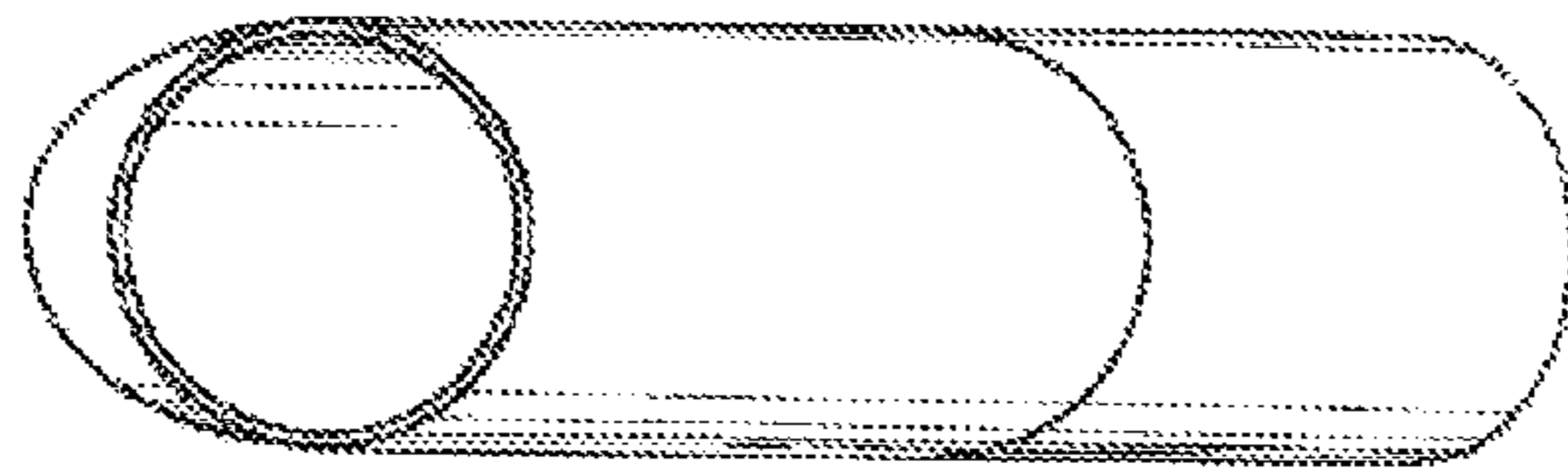


Fig. 3

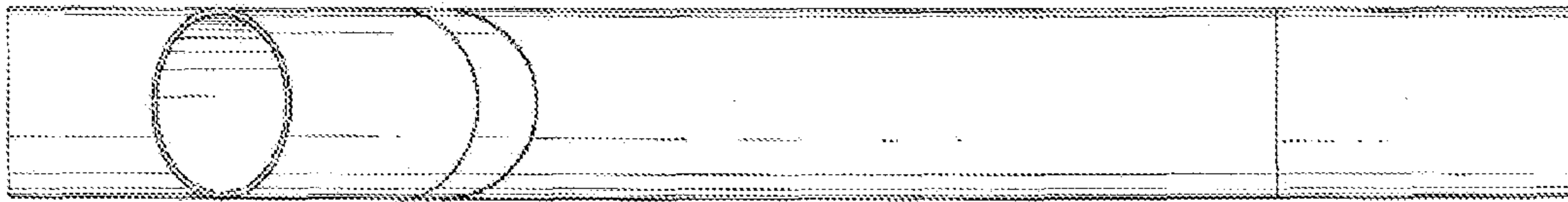


Fig. 4

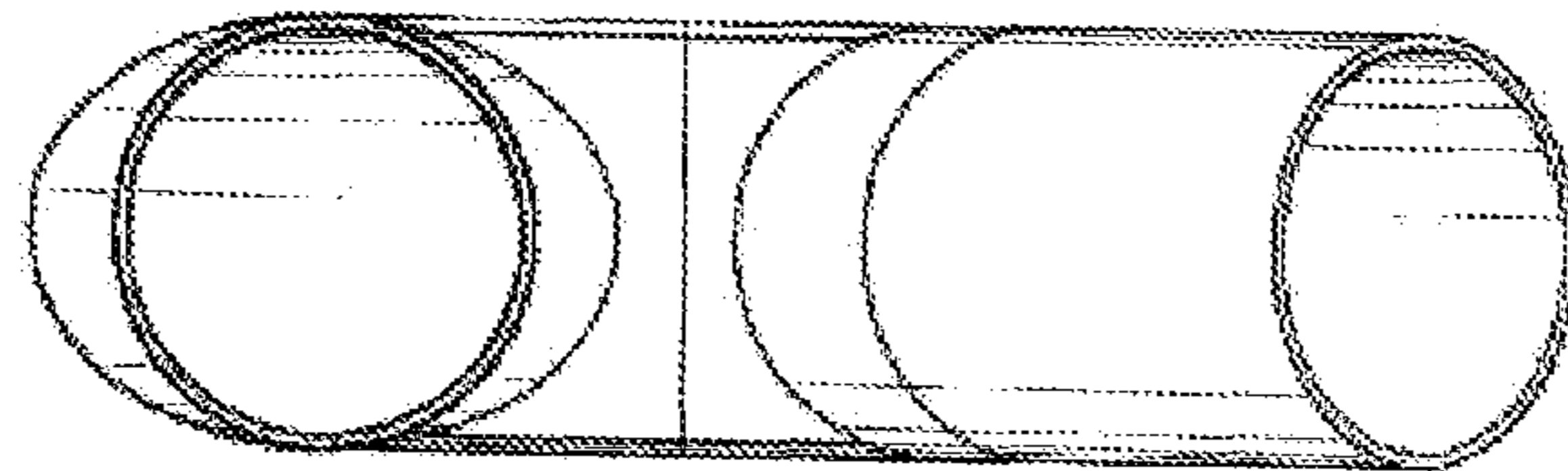


Fig. 5

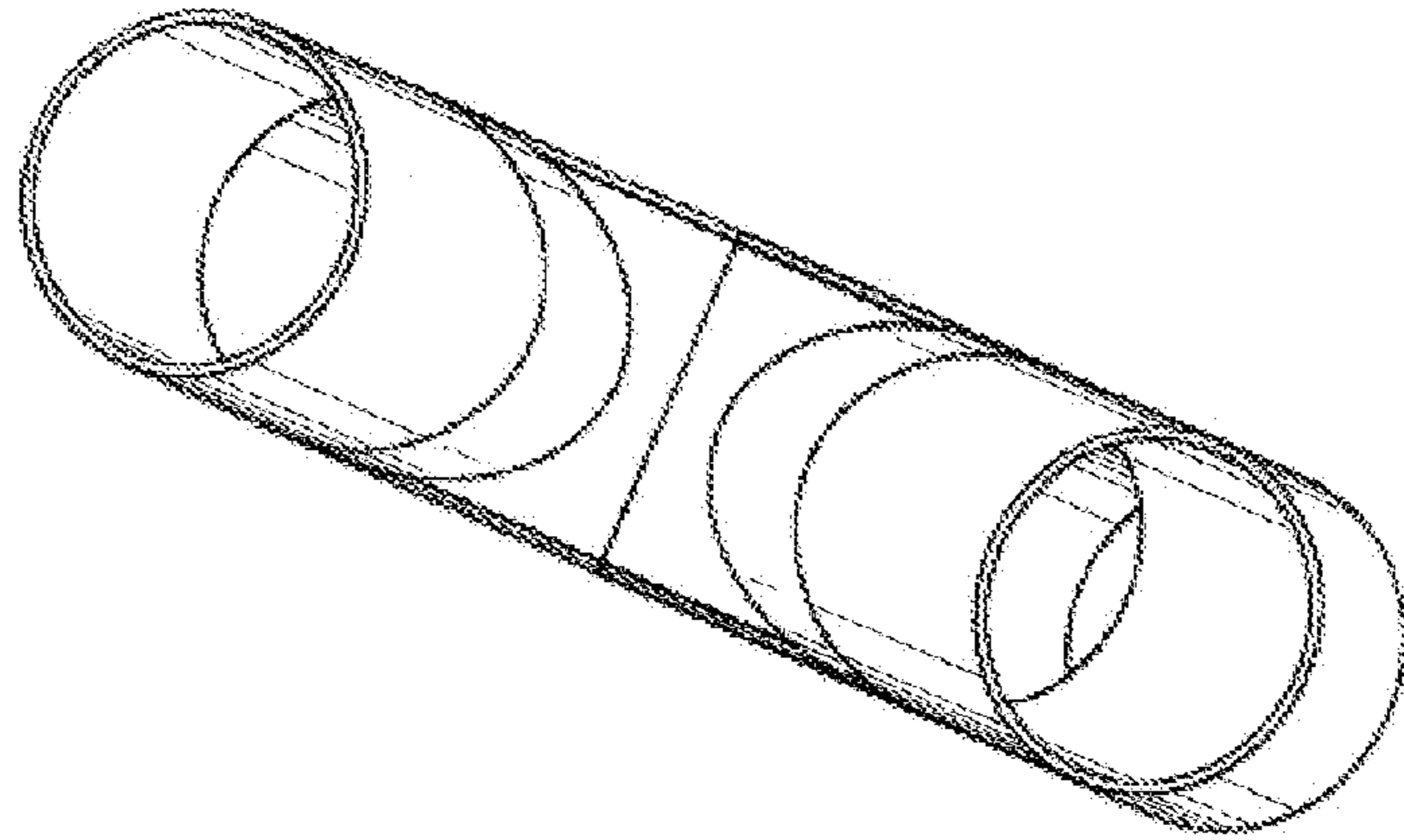


Fig. 6

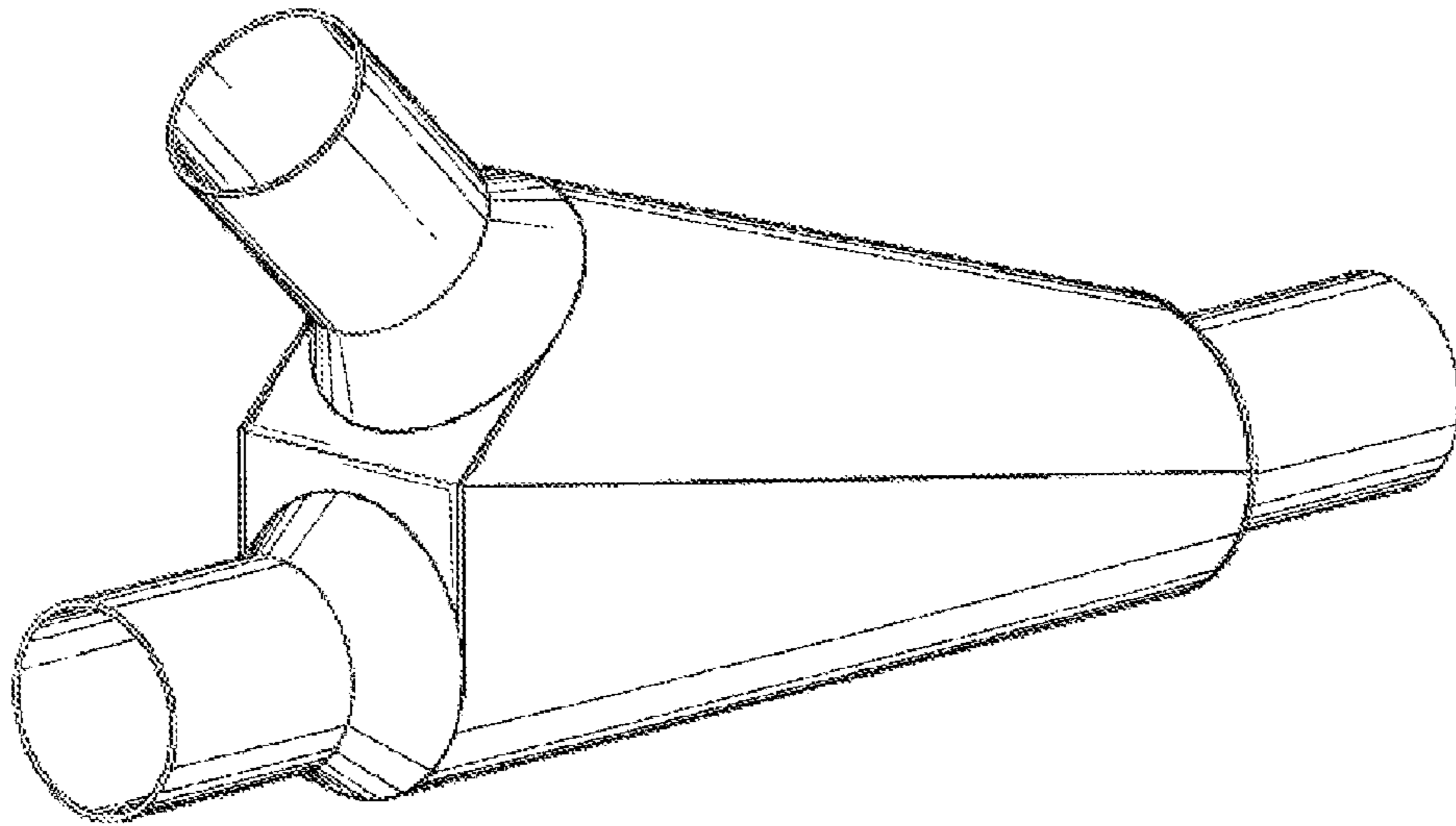


Fig. 7

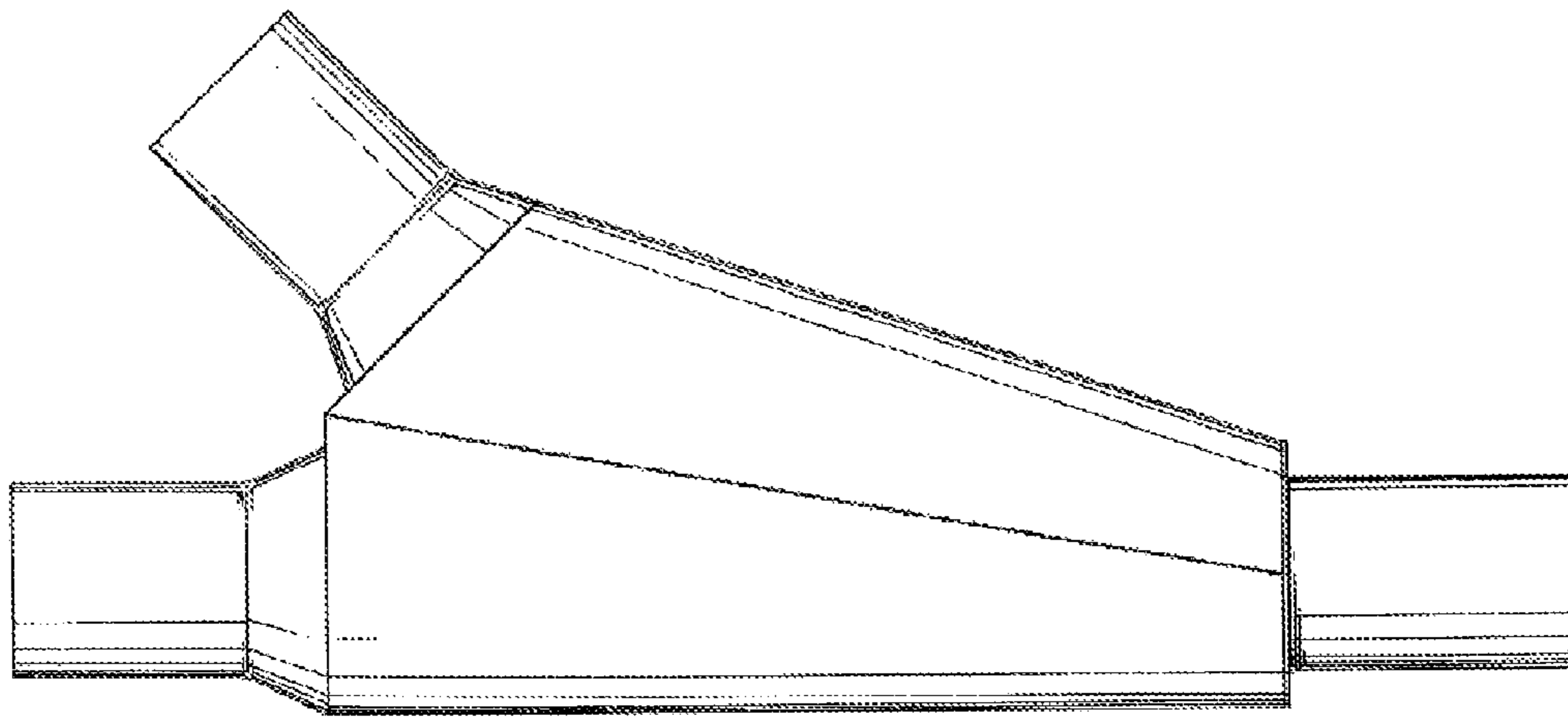


Fig. 8

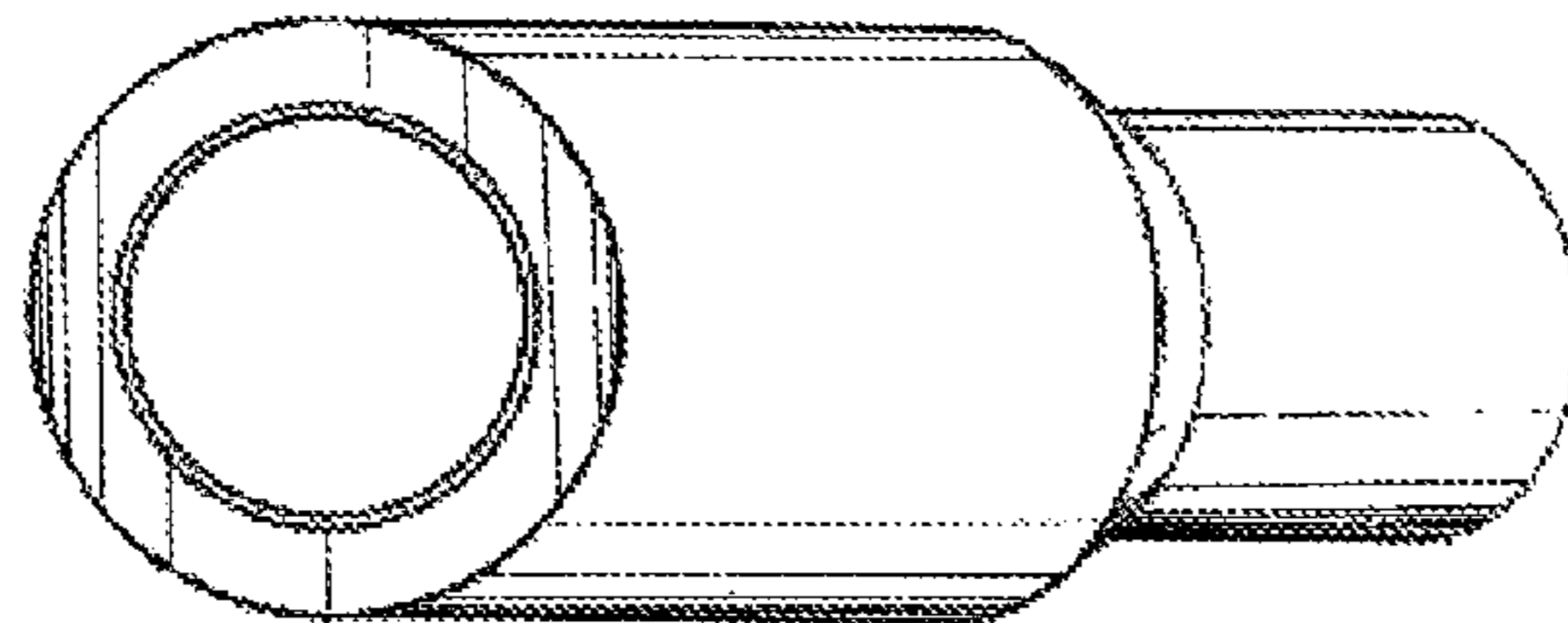


Fig. 9

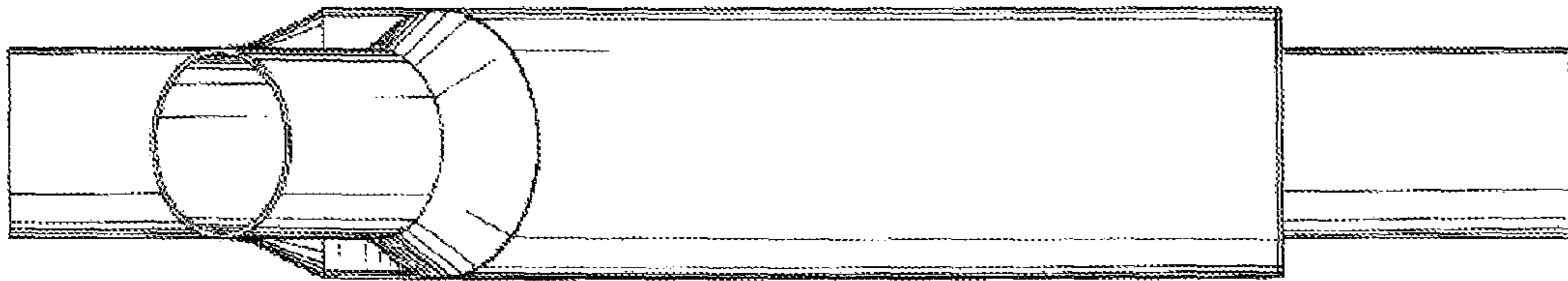


Fig. 10

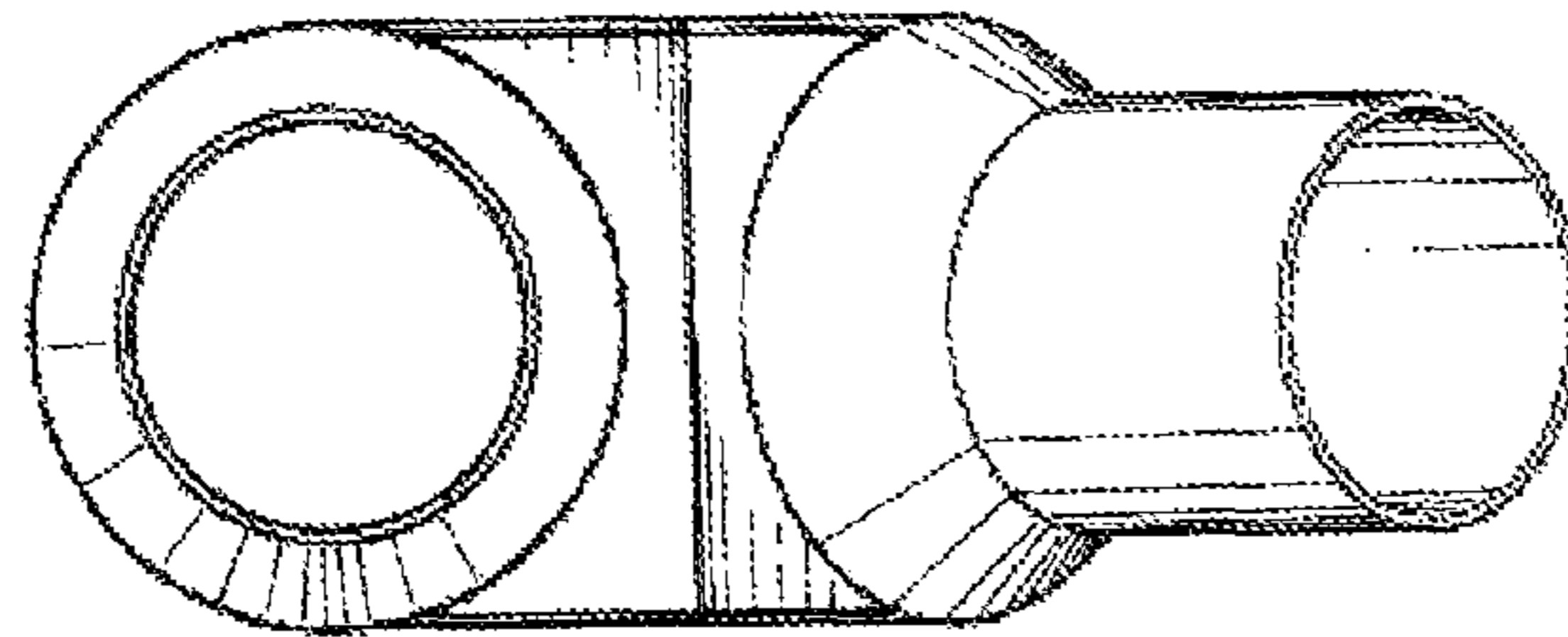


Fig. 11

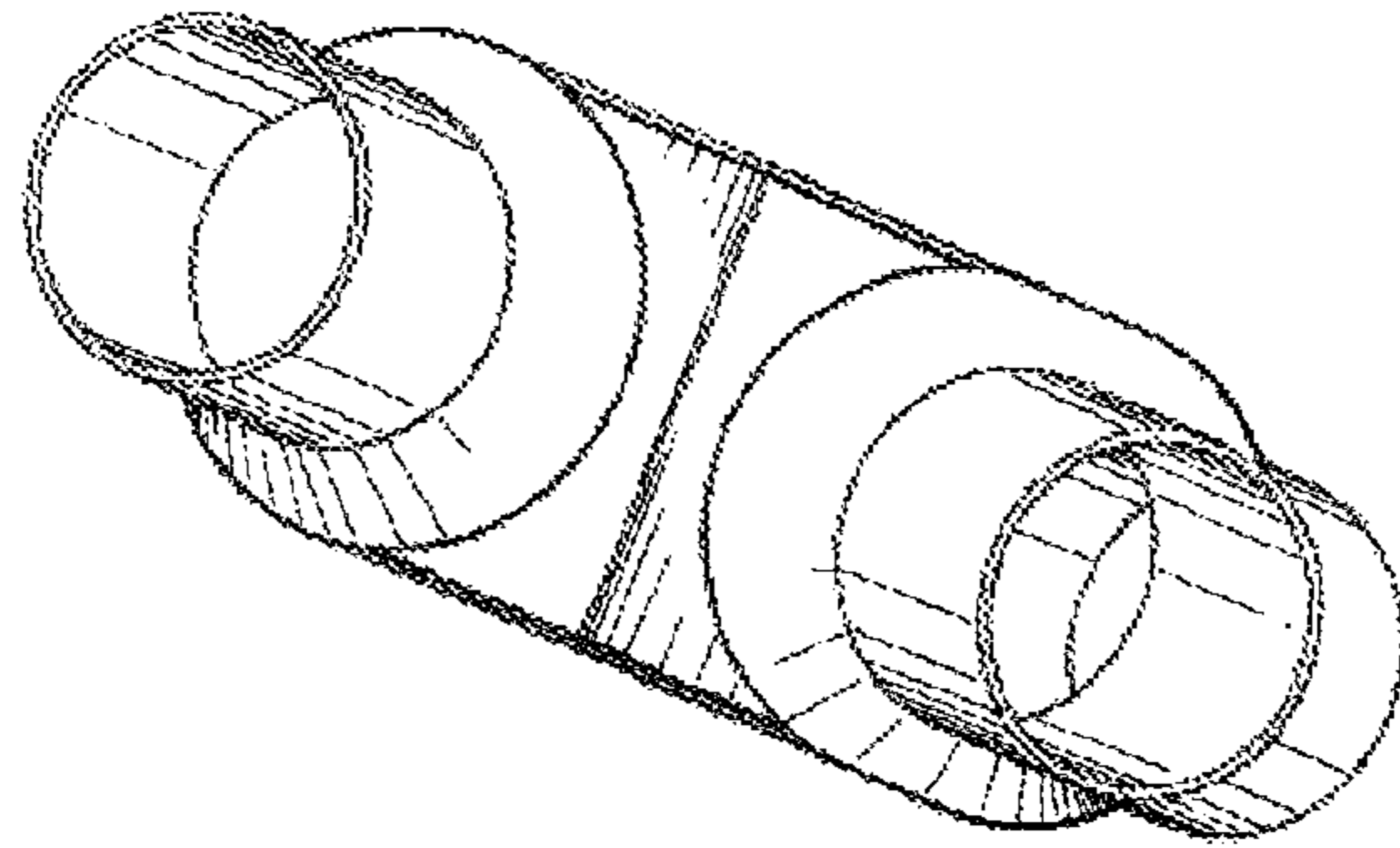


Fig. 12



Fig. 13

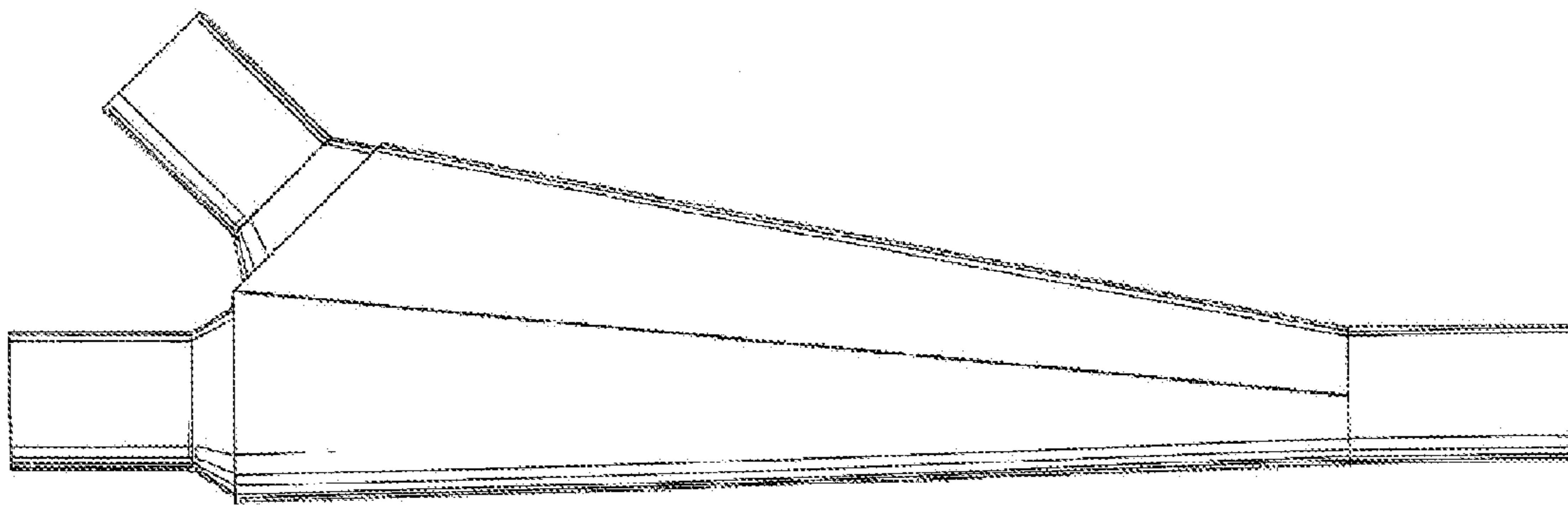


Fig. 14

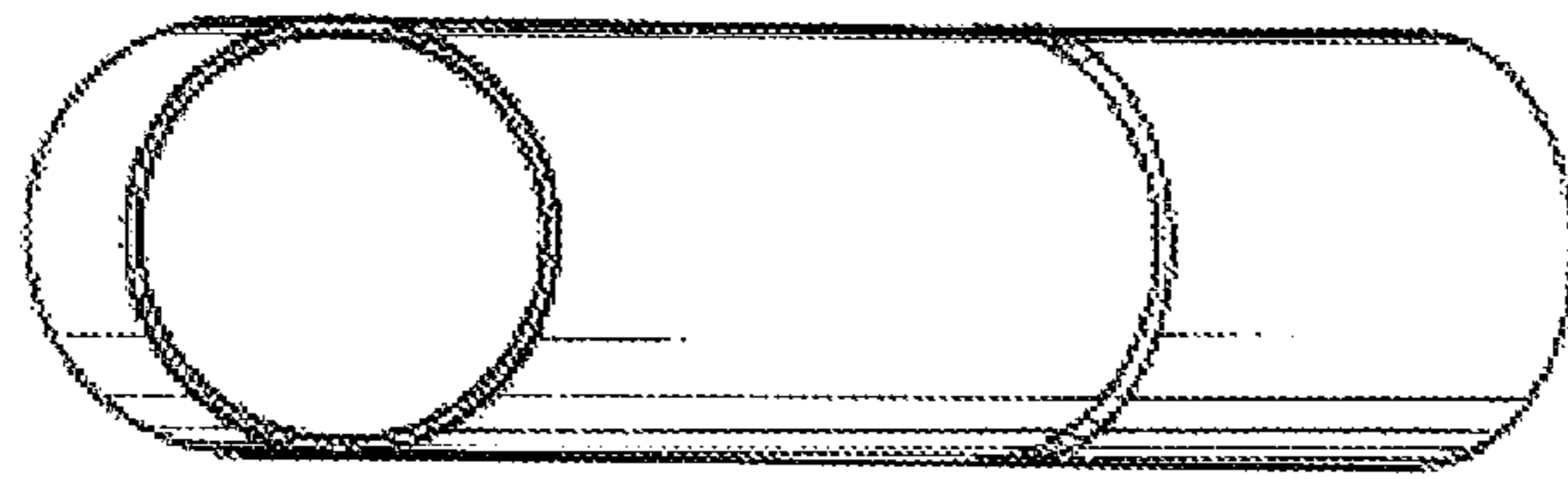


Fig. 15

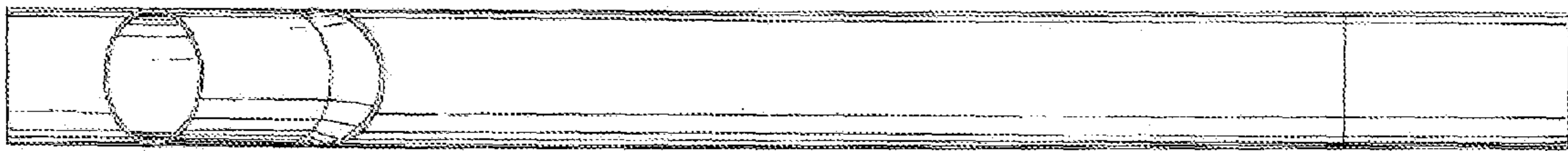


Fig. 16

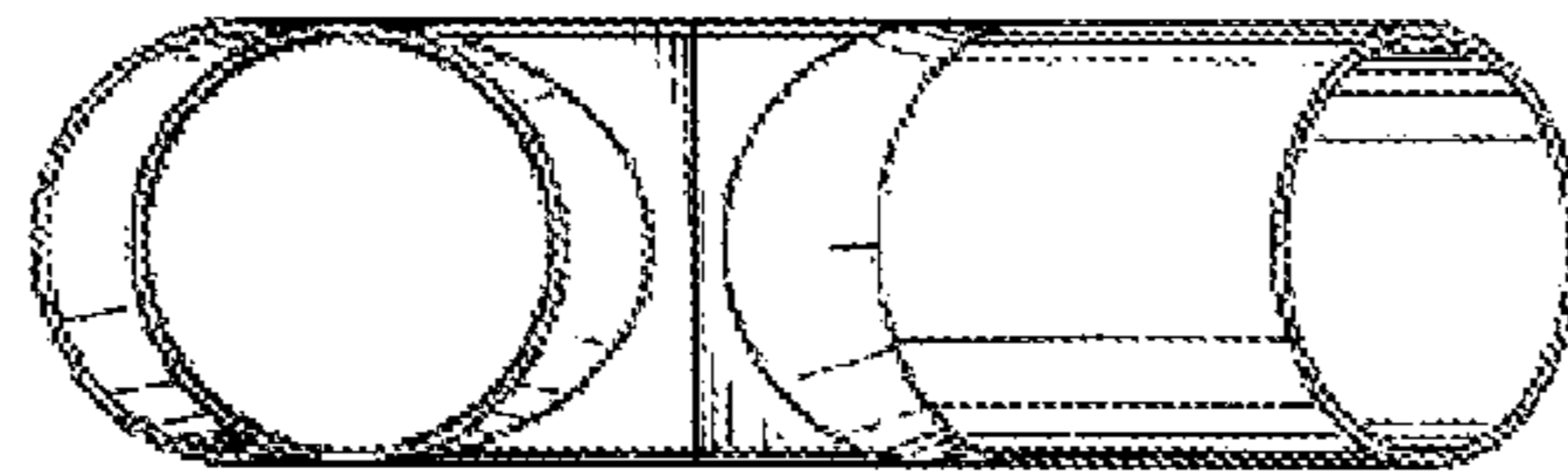


Fig. 17

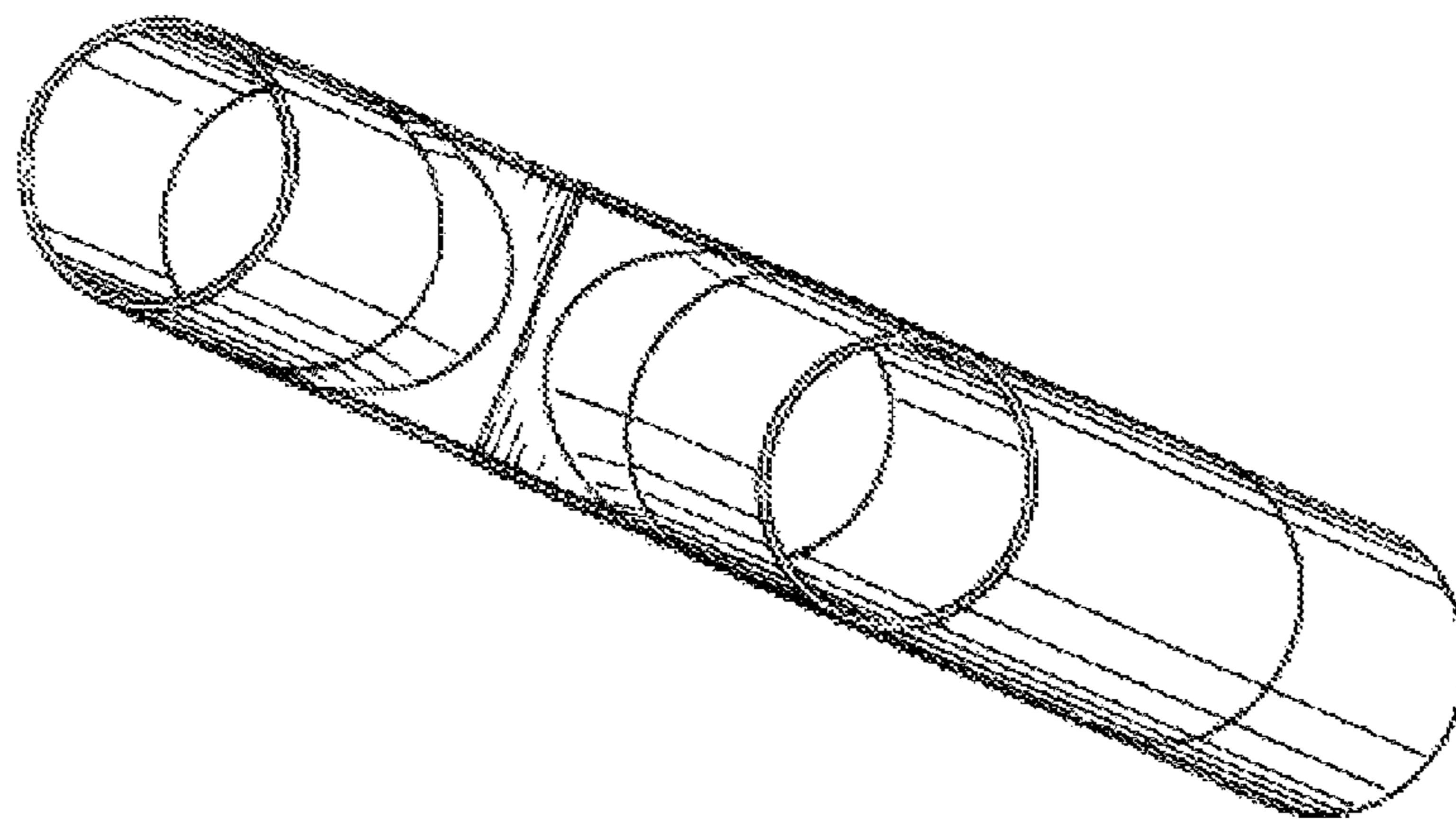


Fig. 18