



US00D650886S

(12) **United States Design Patent**
Bridges et al.

(10) **Patent No.:** **US D650,886 S**

(45) **Date of Patent:** **** Dec. 20, 2011**

(54) **WATER PURIFICATION CARTRIDGE**

(75) Inventors: **Michael A. Bridges**, Seattle, WA (US);
Ricky Wai Kit Chan, Bellevue, WA
(US); **Kai Halsinger**, Portland, OR
(US); **David R. Knaub**, Portland, OR
(US); **Marcus Alan Latham**, Seattle,
WA (US); **Mehdi Mojtabavi**, Portland,
OR (US); **Eric Park**, Portland, OR (US)

(73) Assignee: **HaloSource, Inc.**, Bothell, WA (US)

(**) Term: **14 Years**

(21) Appl. No.: **29/386,389**

(22) Filed: **Feb. 28, 2011**

(51) **LOC (9) Cl.** **23-01**

(52) **U.S. Cl.** **D23/207**

(58) **Field of Classification Search** D23/207,
D23/209; 210/232, 282, 464

See application file for complete search history.

(56) **References Cited**

U.S. PATENT DOCUMENTS

2,584,551	A	2/1952	Chambers	
4,609,463	A	9/1986	Macevicz	
4,714,546	A	12/1987	Solomon	
5,061,367	A	10/1991	Hatch	
5,308,482	A	5/1994	Mead	
5,498,333	A	3/1996	Canther	
5,518,613	A	5/1996	Koczur	
D372,295	S *	7/1996	Weber	D23/207
5,562,824	A	10/1996	Magnusson	
D377,515	S *	1/1997	Hembree et al.	D23/209
5,897,770	A	4/1999	Hatch	
6,099,728	A *	8/2000	Bairischer	210/266
6,187,192	B1	2/2001	Johnston	
6,274,038	B1	8/2001	Reid	
6,290,847	B1 *	9/2001	Cutler	210/254
6,524,477	B1	2/2003	Hughes	

6,602,425	B2	8/2003	Drescher	
6,638,426	B1 *	10/2003	Fritter et al.	210/266
D541,373	S *	4/2007	Storckman	D23/209
D570,951	S *	6/2008	Morita et al.	D23/209
7,441,665	B2	10/2008	Bridges	
D596,703	S *	7/2009	McKinney	D23/209
D625,773	S *	10/2010	Hengsperger et al.	D23/209
7,846,329	B2 *	12/2010	Luka et al.	210/232
2004/0149642	A1	8/2004	Vandenbelt	
2005/0098506	A1	5/2005	Bridges	
2008/0202992	A1	8/2008	Bridges	

* cited by examiner

Primary Examiner — Robin V Webster

(74) *Attorney, Agent, or Firm* — Christensen O'Connor
Johnson Kindness PLLC

(57) **CLAIM**

The ornamental design for a water purification cartridge, as shown and described.

DESCRIPTION

FIG. 1 is a perspective view of a water purification cartridge; FIG. 2 is a perspective view of the water purification cartridge of FIG. 1;

FIG. 3 is a front elevational view of the water purification cartridge of FIG. 1;

FIG. 4 is a rear elevational view of the water purification cartridge of FIG. 1;

FIG. 5 is a right side elevational view of the water purification cartridge of FIG. 1;

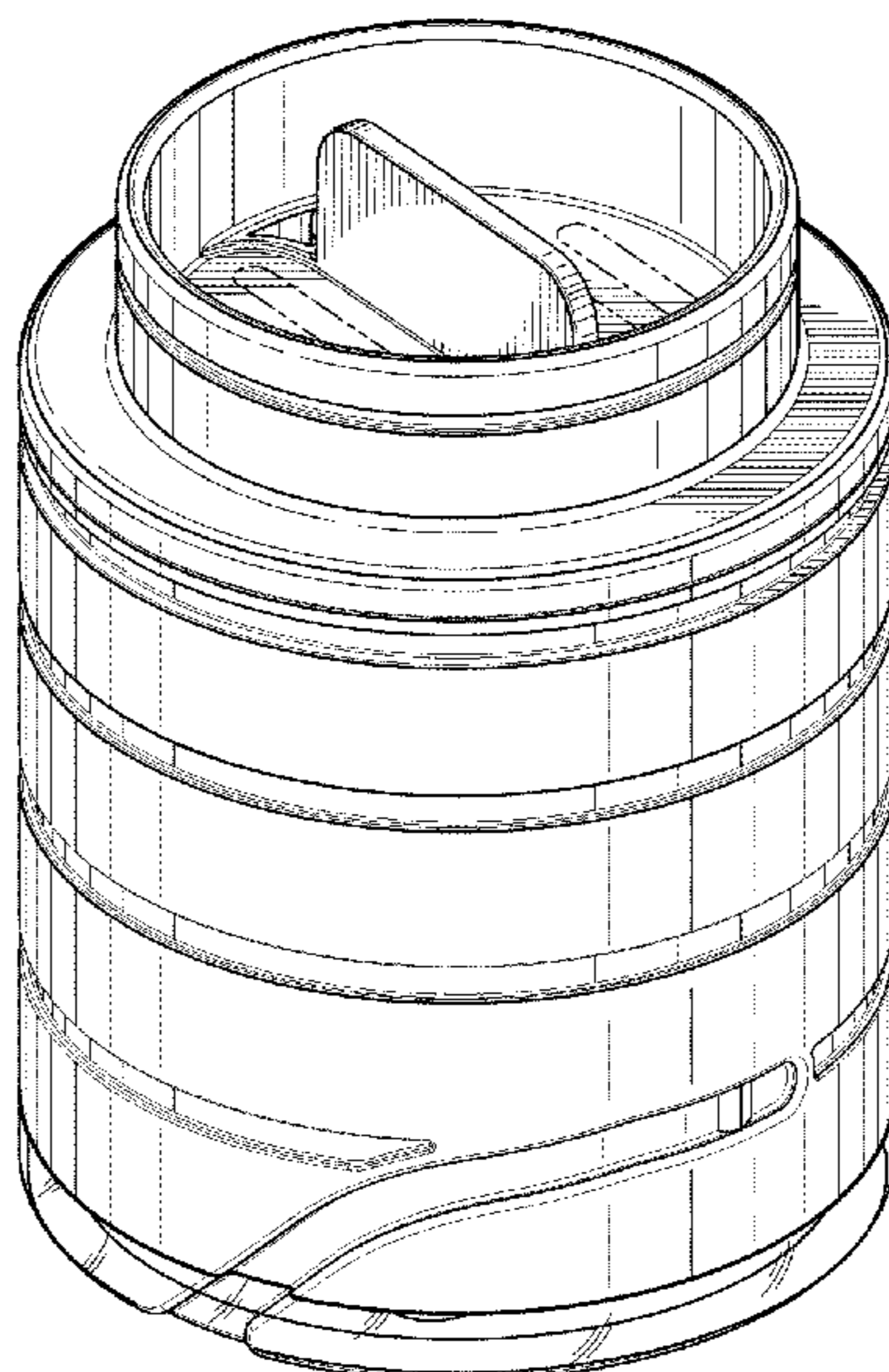
FIG. 6 is a left side elevational view of the water purification cartridge of FIG. 1;

FIG. 7 is a top plan view of the water purification cartridge of FIG. 1; and,

FIG. 8 is a bottom plan view of the water purification cartridge of FIG. 1.

The broken line of the water purification cartridge in FIGS. 1 and 7 forms no part of the claimed design.

1 Claim, 4 Drawing Sheets



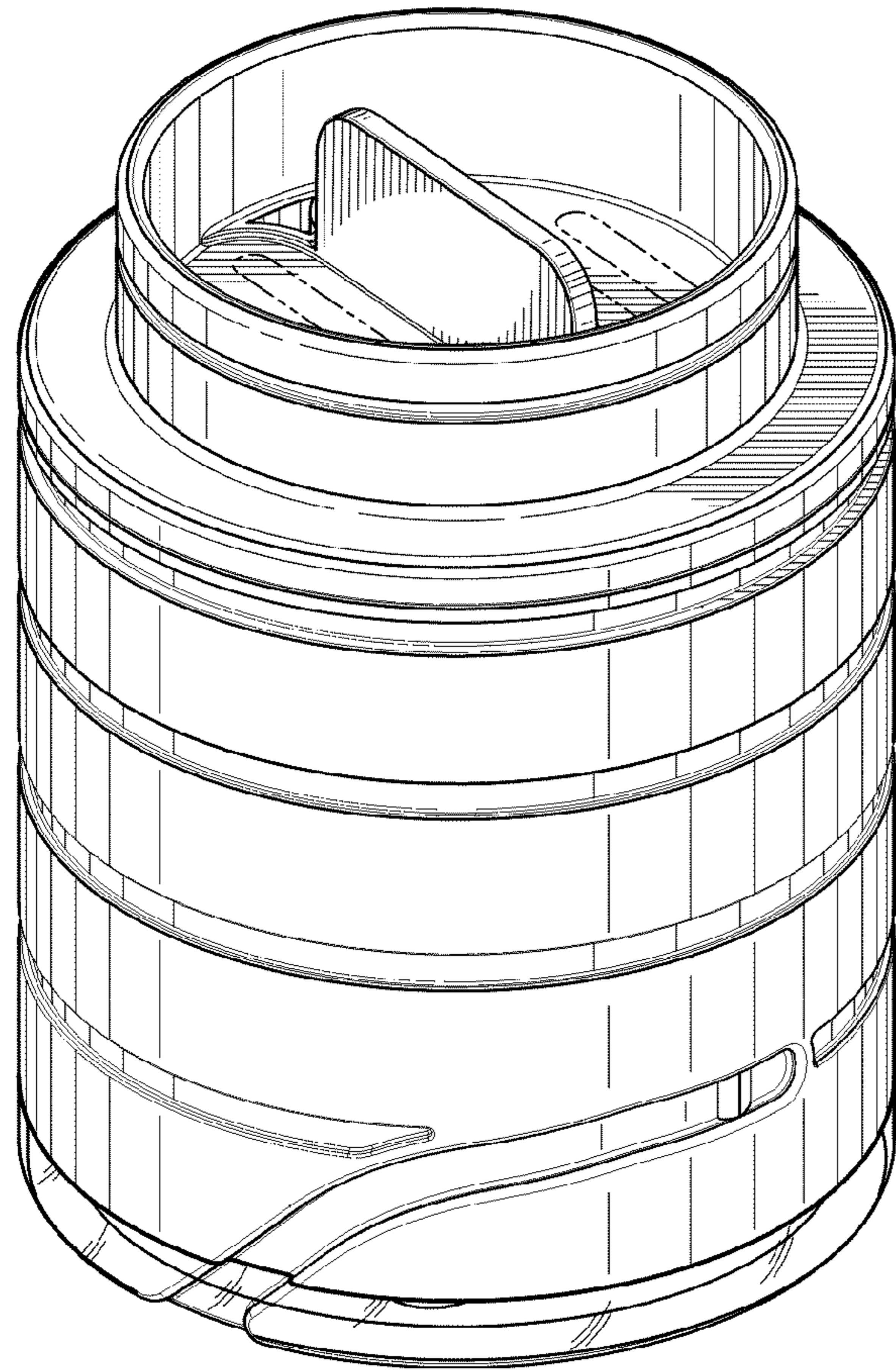


Fig. 1.

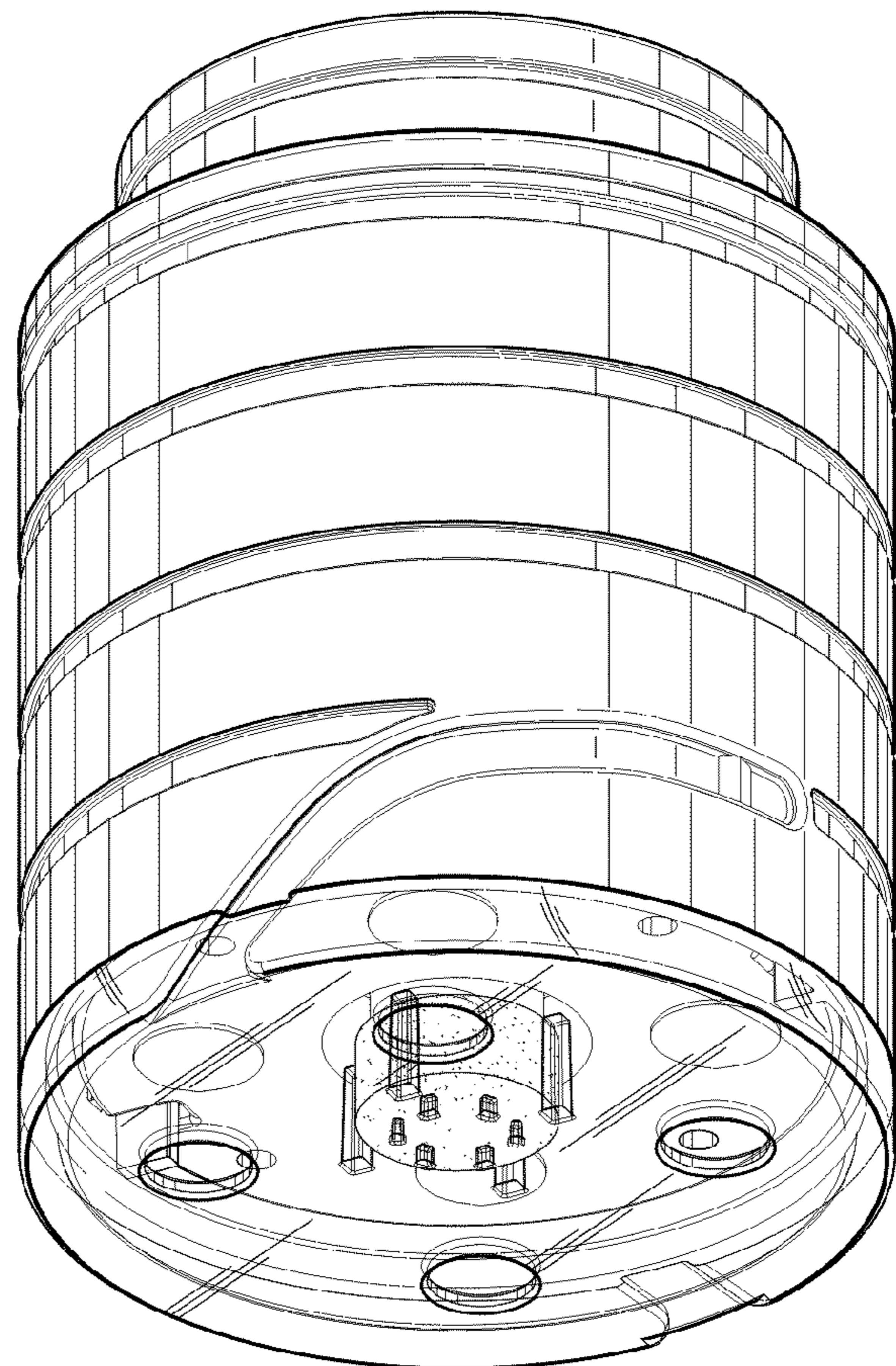


Fig. 2.

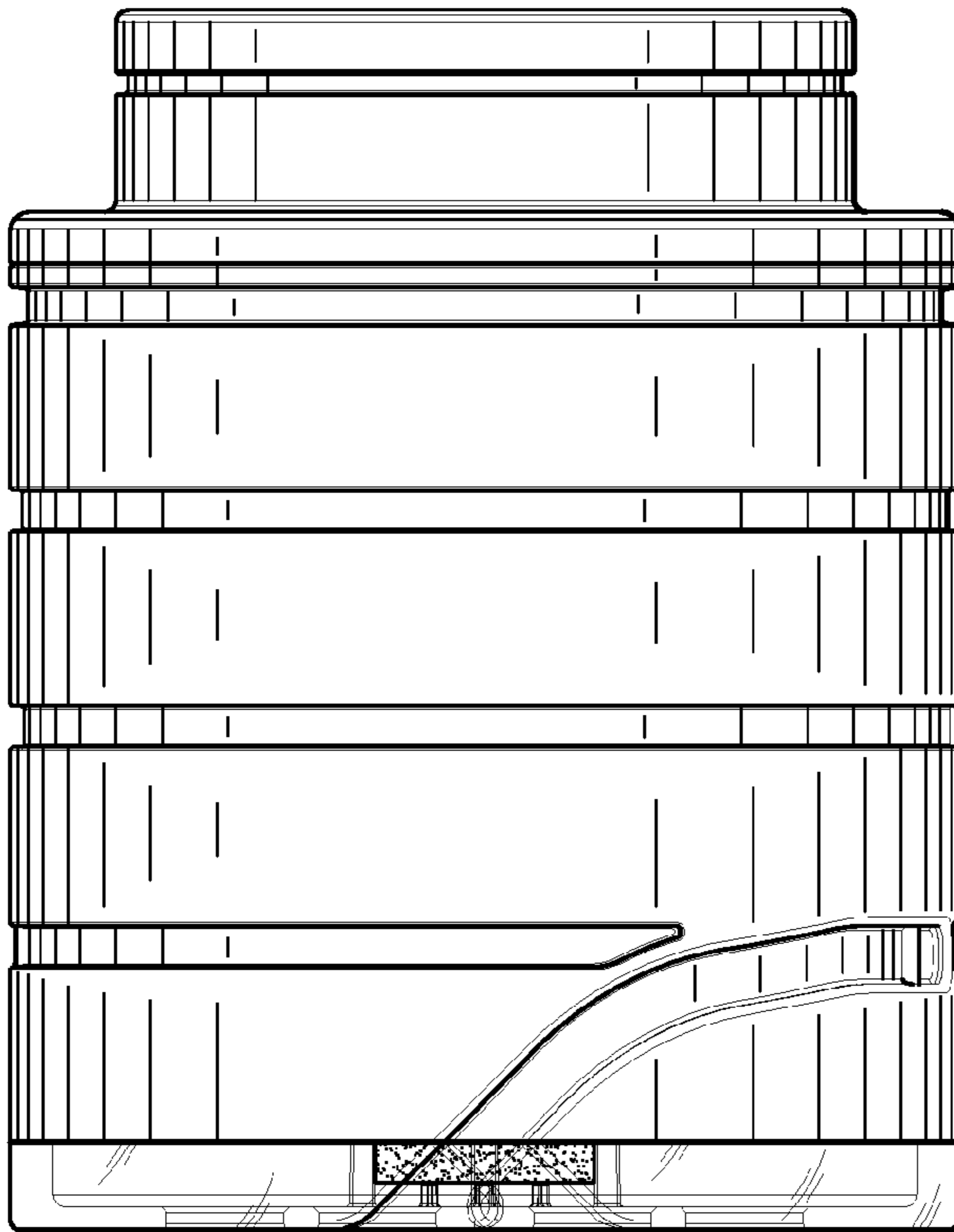


Fig. 3.

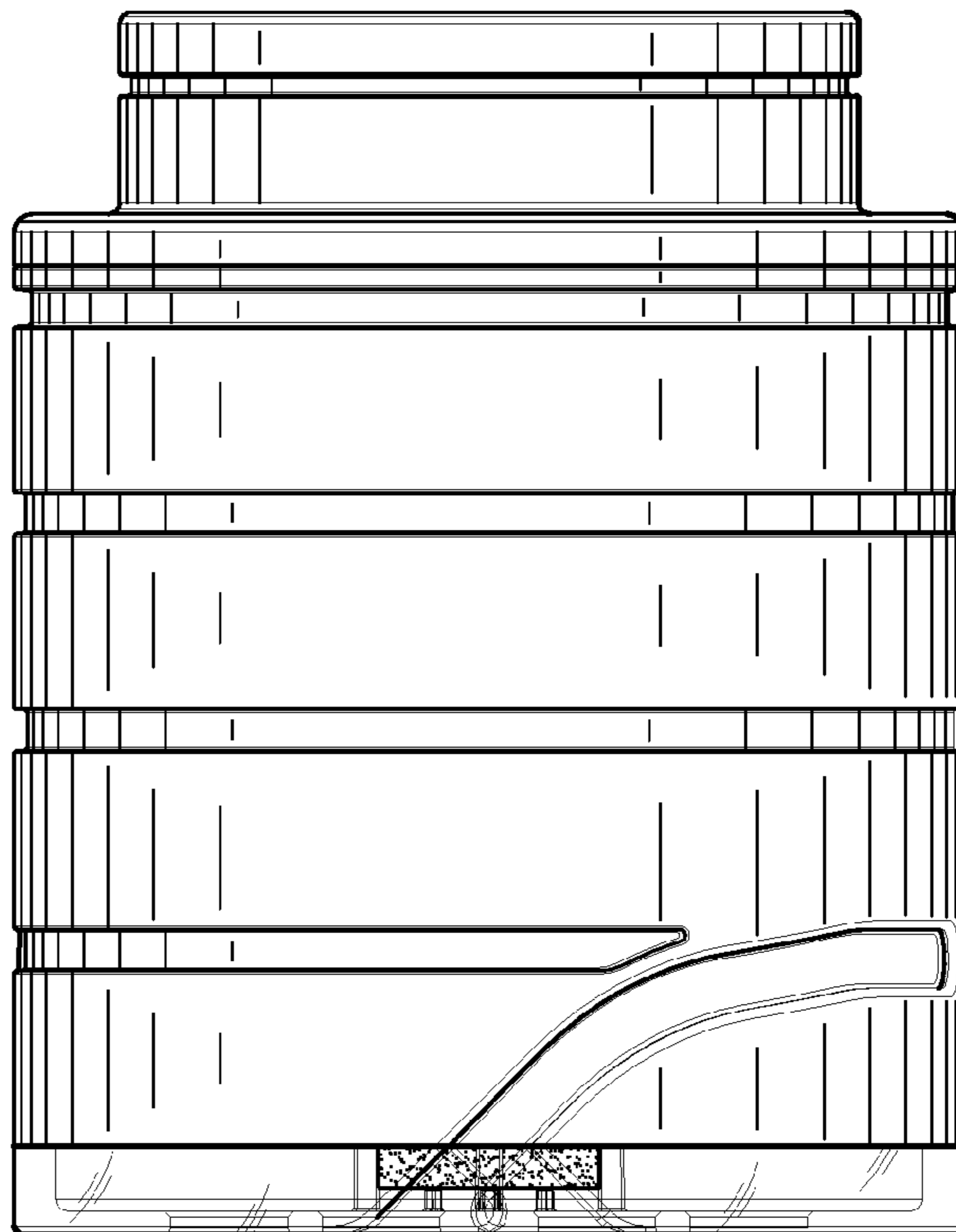


Fig. 4.

Fig. 5.

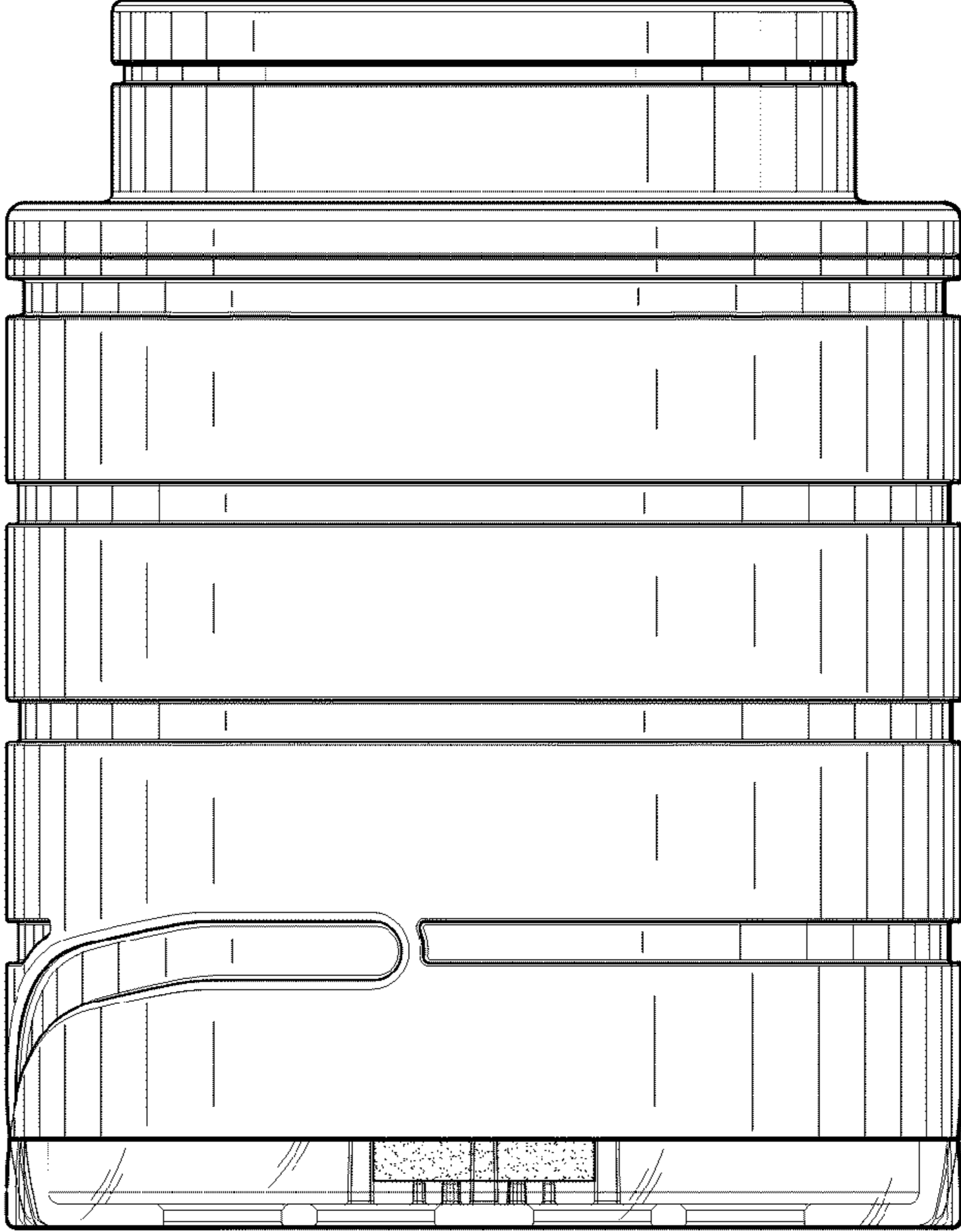
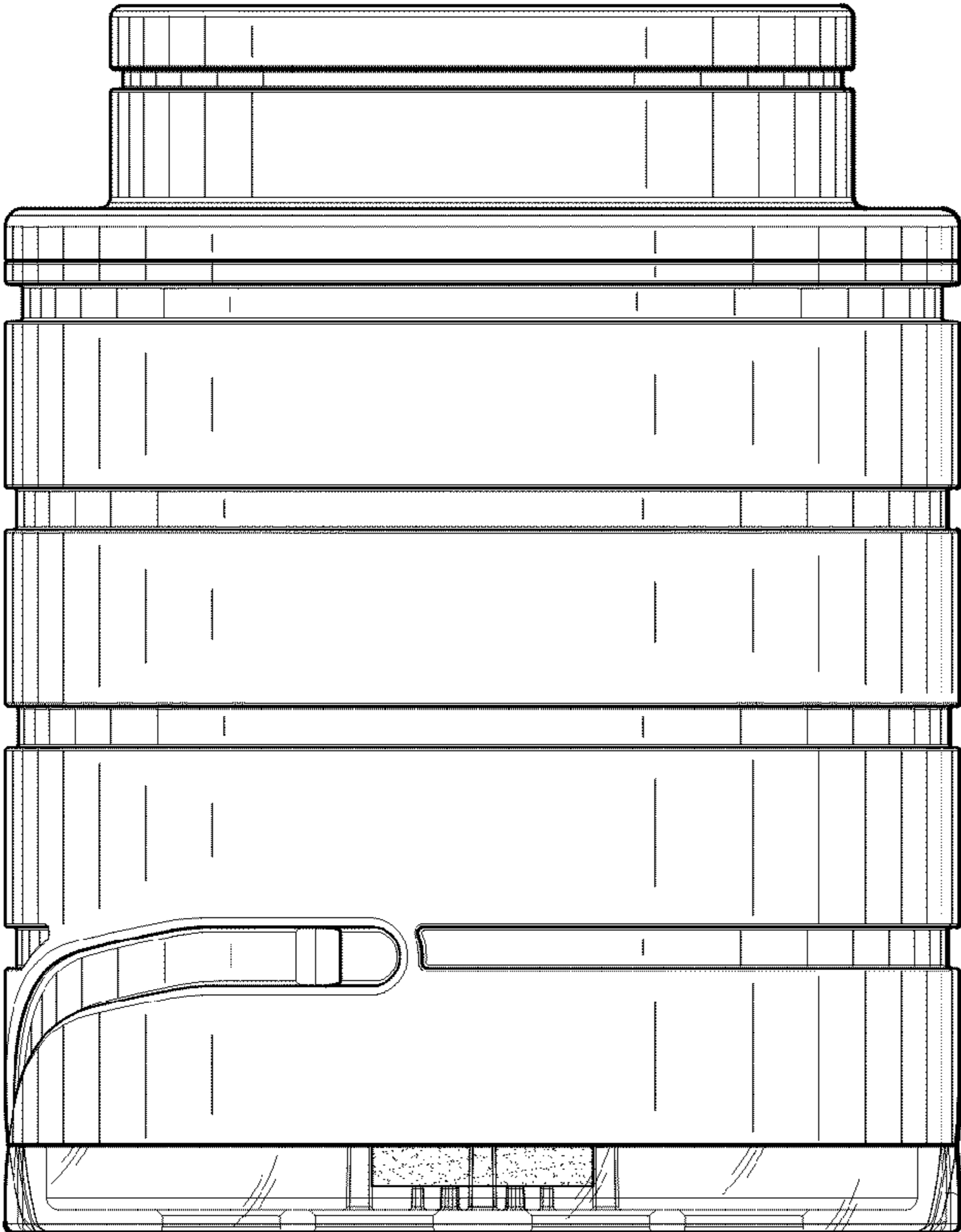


Fig. 6.



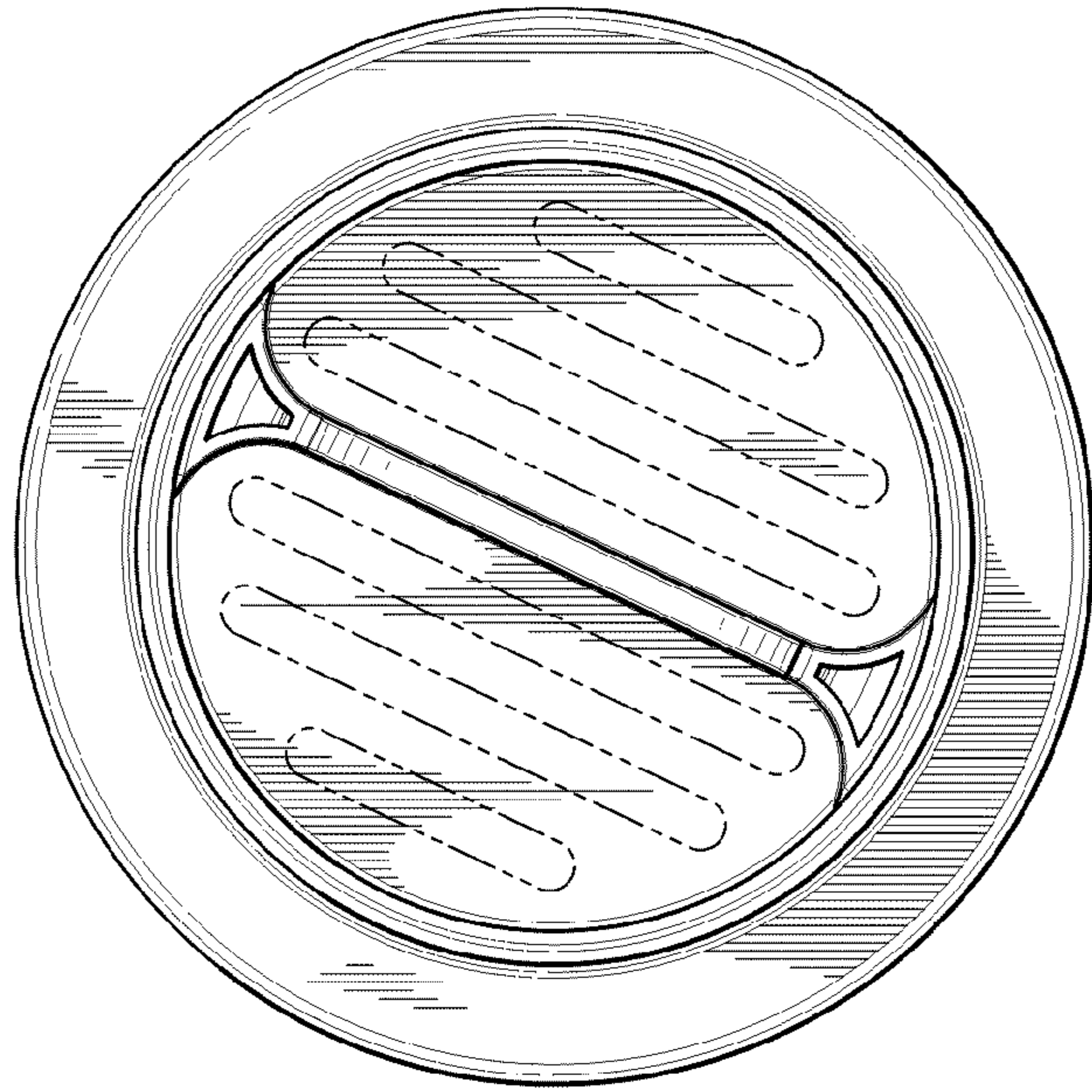


Fig. 7.

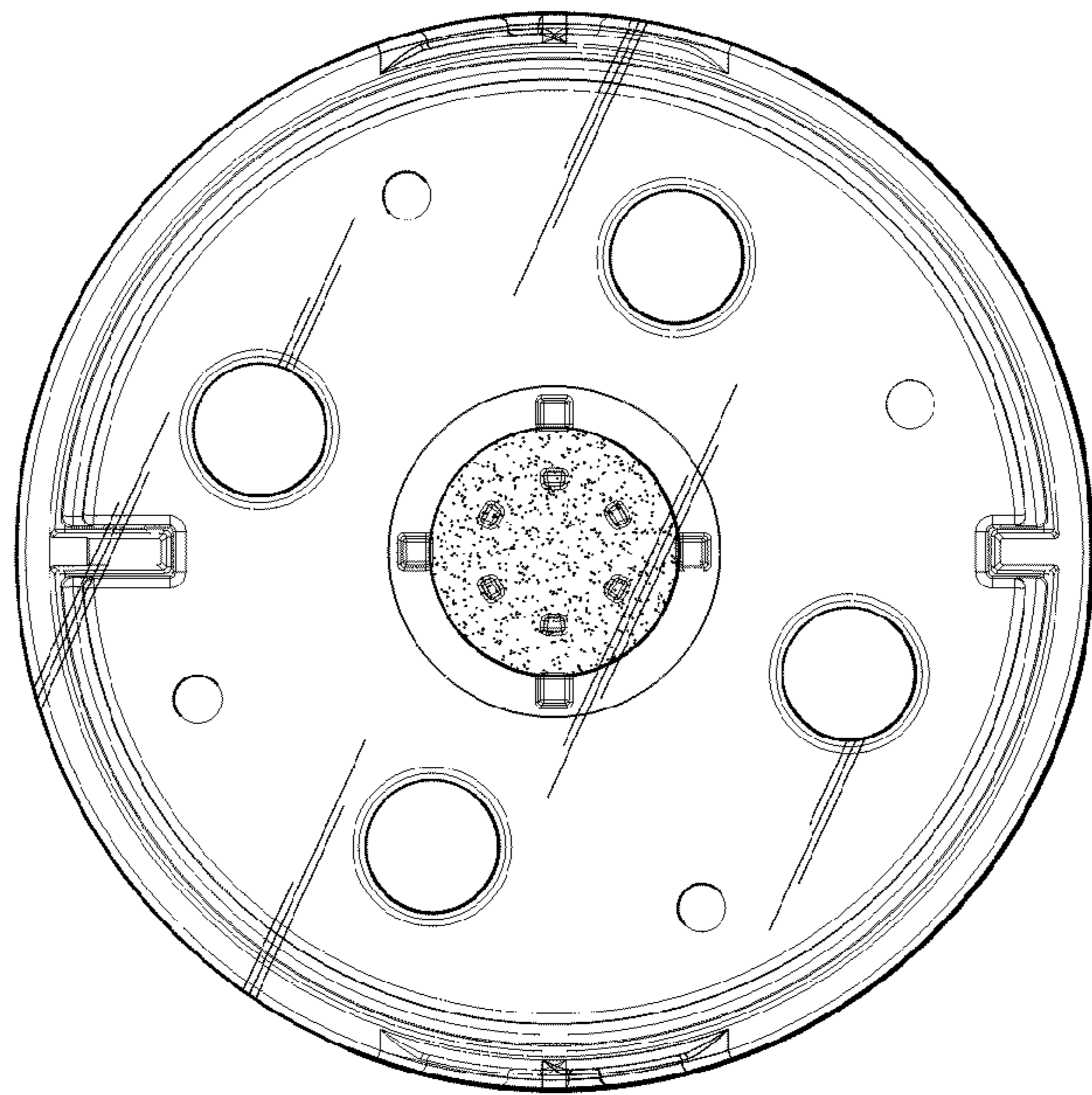


Fig. 8.