



US00D650879S

(12) **United States Design Patent**
Yoshikawa

(10) **Patent No.:** **US D650,879 S**

(45) **Date of Patent:** **** Dec. 20, 2011**

(54) **BASEBALL BAT HAND POSITIONING GRIP**

(56) **References Cited**

(76) Inventor: **Keith Kimo Yoshikawa**, Tacoma, WA
(US)

U.S. PATENT DOCUMENTS

(**) Term: **14 Years**

2,091,458	A *	8/1937	Sleight	16/421
D140,676	S *	3/1945	Schneider	D21/758
2,481,778	A *	9/1949	Pearson	473/206
4,214,751	A *	7/1980	Simpson	473/457
5,007,415	A *	4/1991	Marion	602/26
D353,860	S *	12/1994	Walk	D21/781
5,762,563	A *	6/1998	Holzhausen	473/206
5,839,983	A *	11/1998	Kramer	473/568
D404,102	S *	1/1999	Wellenkamp et al.	D21/791
D444,193	S *	6/2001	Dodson	D21/725
7,125,353	B2 *	10/2006	Blount	473/568
D579,068	S *	10/2008	Souders et al.	D21/753

(21) Appl. No.: **29/313,540**

(22) Filed: **Jan. 21, 2009**

(51) **LOC (9) Cl.** **21-02**

(52) **U.S. Cl.** **D21/780; D21/753; D21/756;**
D21/758

* cited by examiner

(58) **Field of Classification Search** D21/662,
D21/683, 694, 698, 715, 720, 725, 753, 756,
D21/758, 759, 780, 781, 791, 799.1; D24/190;
D8/300, 301, 303, 321, 322, DIG. 6, DIG. 7;
D29/113, 115, 116.2, 116.3, 120.1, 121.1,
D29/121.2, 122; 473/59-63, 201-207, 212-214,
473/219, 226, 276, 294, 298, 299, 300, 303,
473/422, 437, 450, 451, 453, 457, 458, 461,
473/474, 505, 516, 518, 519, 524, 531, 538,
473/549, 551, 553, 564-568; 16/421, 422,
16/430; 602/20-23, 26, 27; 128/878-882

Primary Examiner — Catherine Tuttle

(57) **CLAIM**

The ornamental design of the baseball bat hand positioning grip, as shown and described.

DESCRIPTION

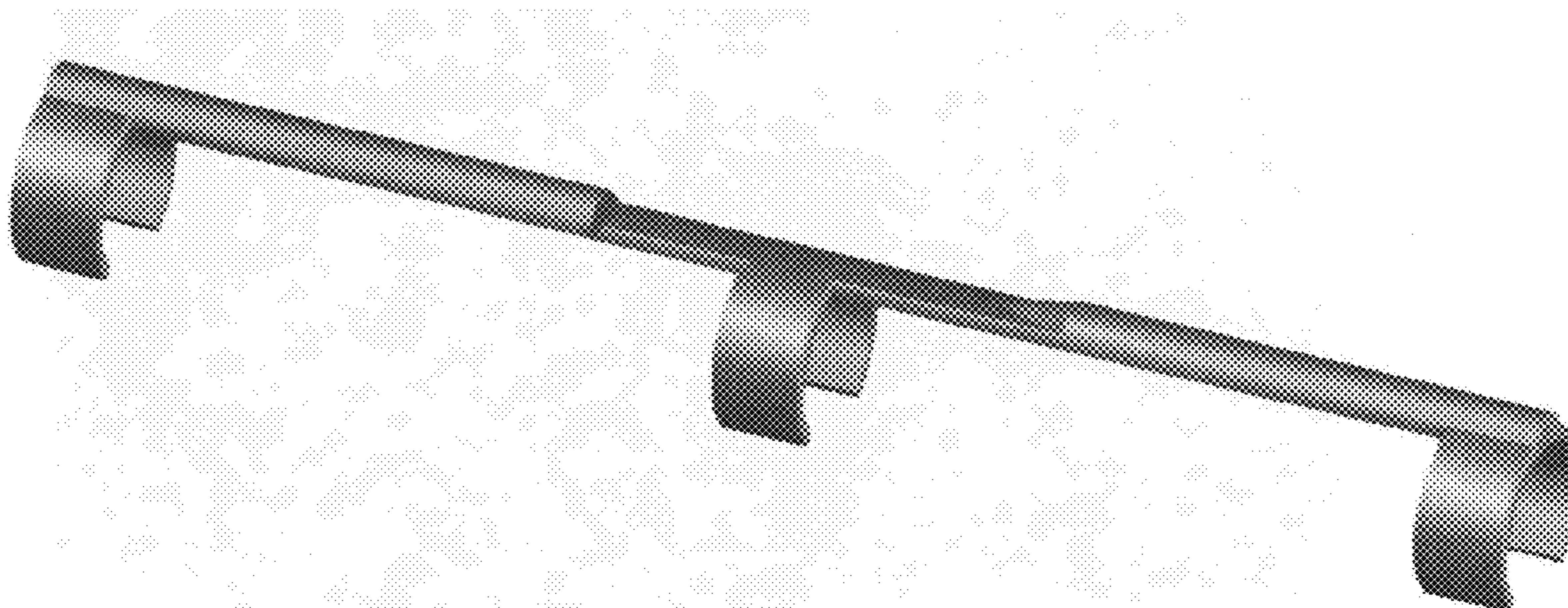
FIG. 1 is a prospective view seen from the side, top and one end of the baseball bat hand positioning grip showing my new design;

FIG. 2 is another top perspective view thereof, showing the opposite end of FIG. 1; and,

FIG. 3 is a bottom perspective view thereof.

See application file for complete search history.

1 Claim, 1 Drawing Sheet



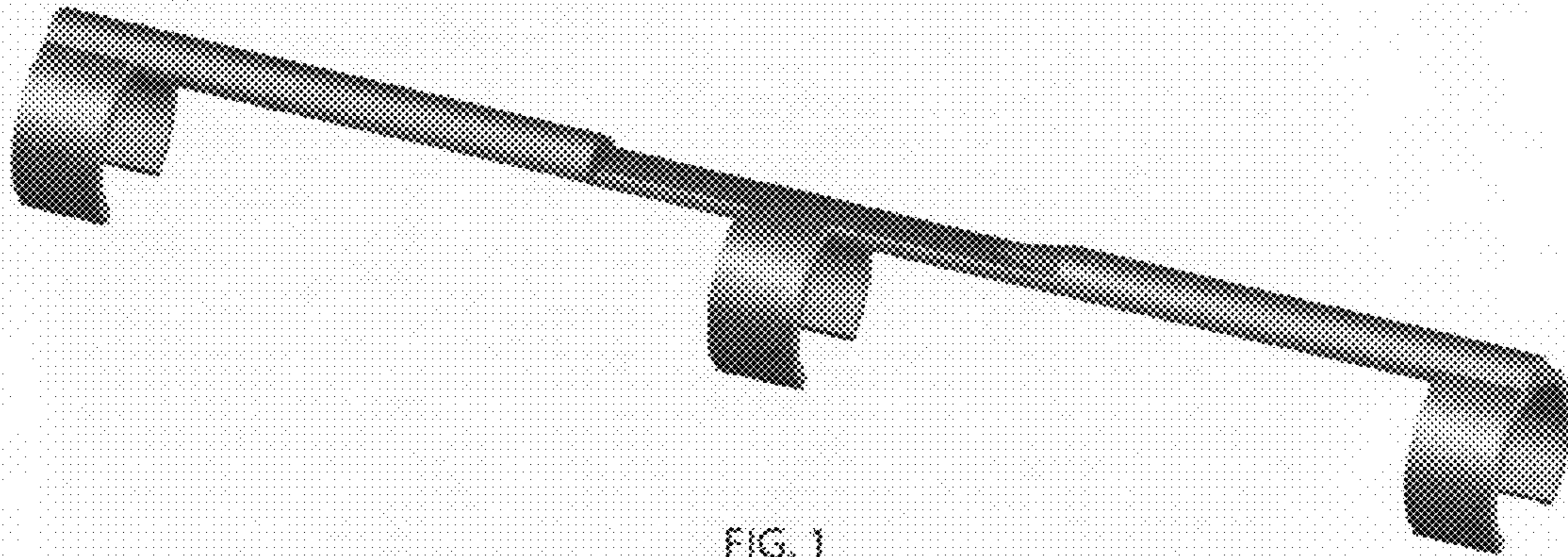


FIG. 1

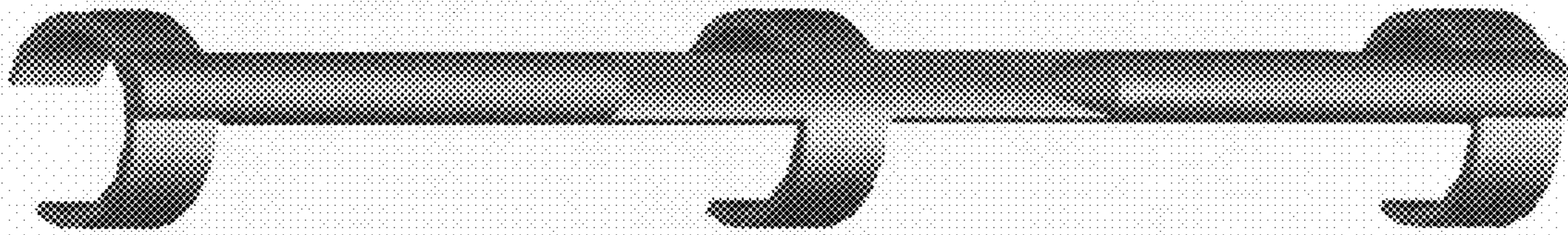


FIG. 2

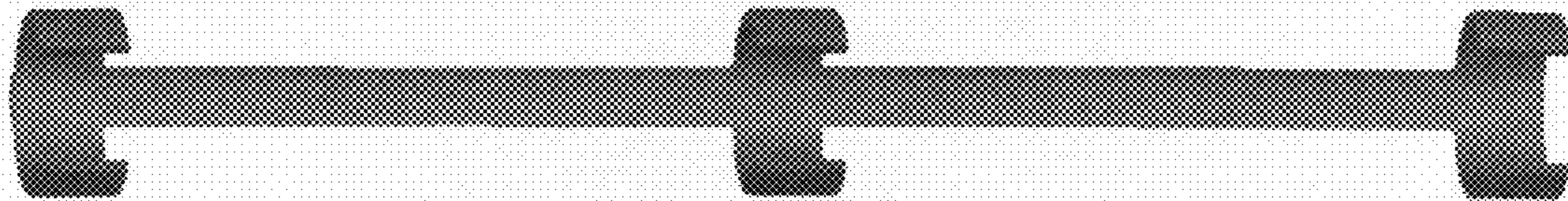


FIG. 3