



US00D650878S

(12) **United States Design Patent**
Llewellyn et al.

(10) **Patent No.:** **US D650,878 S**

(45) **Date of Patent:** **** Dec. 20, 2011**

(54) **IRON-TYPE GOLF CLUB HEAD**

(75) Inventors: **David Llewellyn**, Duluth, GA (US);
Kazuhiro Doi, Gifu (JP); **Tsugunobu Sakamoto**, Osaka (JP)

(73) Assignee: **Mizuno USA, Inc.**, Norcross, GA (US)

(**) Term: **14 Years**

(21) Appl. No.: **29/393,697**

(22) Filed: **Jun. 8, 2011**

Related U.S. Application Data

(62) Division of application No. 29/361,239, filed on May 7, 2010, now Pat. No. Des. 641,444.

(51) **LOC (9) Cl.** **21-02**

(52) **U.S. Cl.** **D21/759**

(58) **Field of Classification Search** D21/747-751,
D21/759; 473/324-331, 350
See application file for complete search history.

(56) **References Cited**

U.S. PATENT DOCUMENTS

D476,708 S * 7/2003 Wahl et al. D21/747
D489,106 S * 4/2004 Wahl et al. D21/749

D496,973 S * 10/2004 Wahl et al. D21/749
D501,035 S * 1/2005 Wahl et al. D21/747
D585,951 S * 2/2009 Kohno D21/759
D611,554 S * 3/2010 Llewellyn et al. D21/759
D641,444 S * 7/2011 Llewellyn et al. D21/759
D641,821 S * 7/2011 Llewellyn et al. D21/759

* cited by examiner

Primary Examiner — Mitchell Siegel

(74) *Attorney, Agent, or Firm* — Troutman Sanders LLP;
James E. Schutz; Robert R. Elliot, Jr.

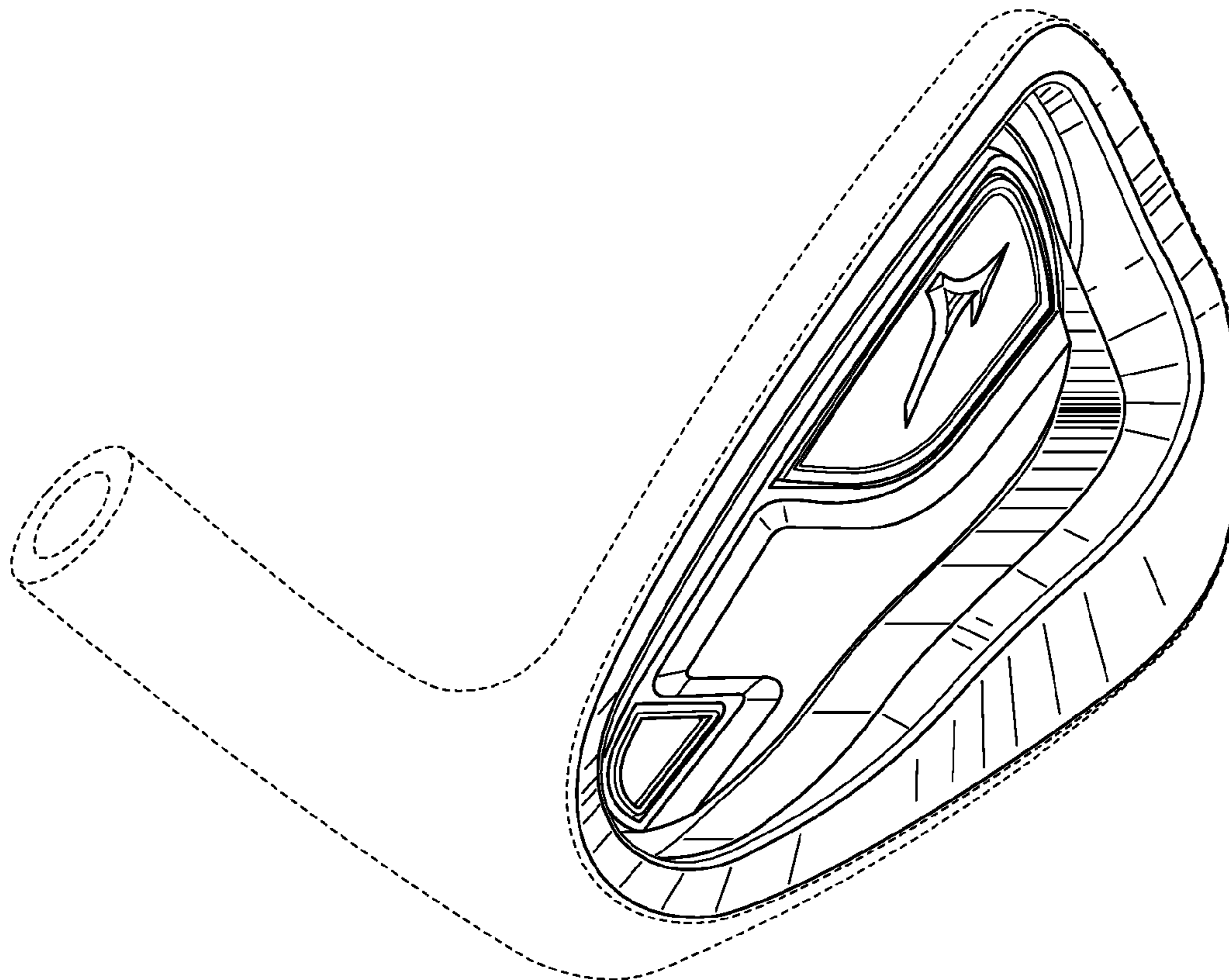
(57) **CLAIM**

The ornamental design for a iron-type golf club head, as shown and described.

DESCRIPTION

FIG. 1 illustrates an angled, rear perspective view of a golf club head that shows a badge within a cavity pad; and, FIG. 2 illustrates an angled, rear perspective view of a golf club head that shows a badge within a cavity pad. The broken, dashed lines shown in the various figures depicting embodiments of the invention are included for the purpose of illustrating environment and do not form any part of the claimed design.

1 Claim, 2 Drawing Sheets



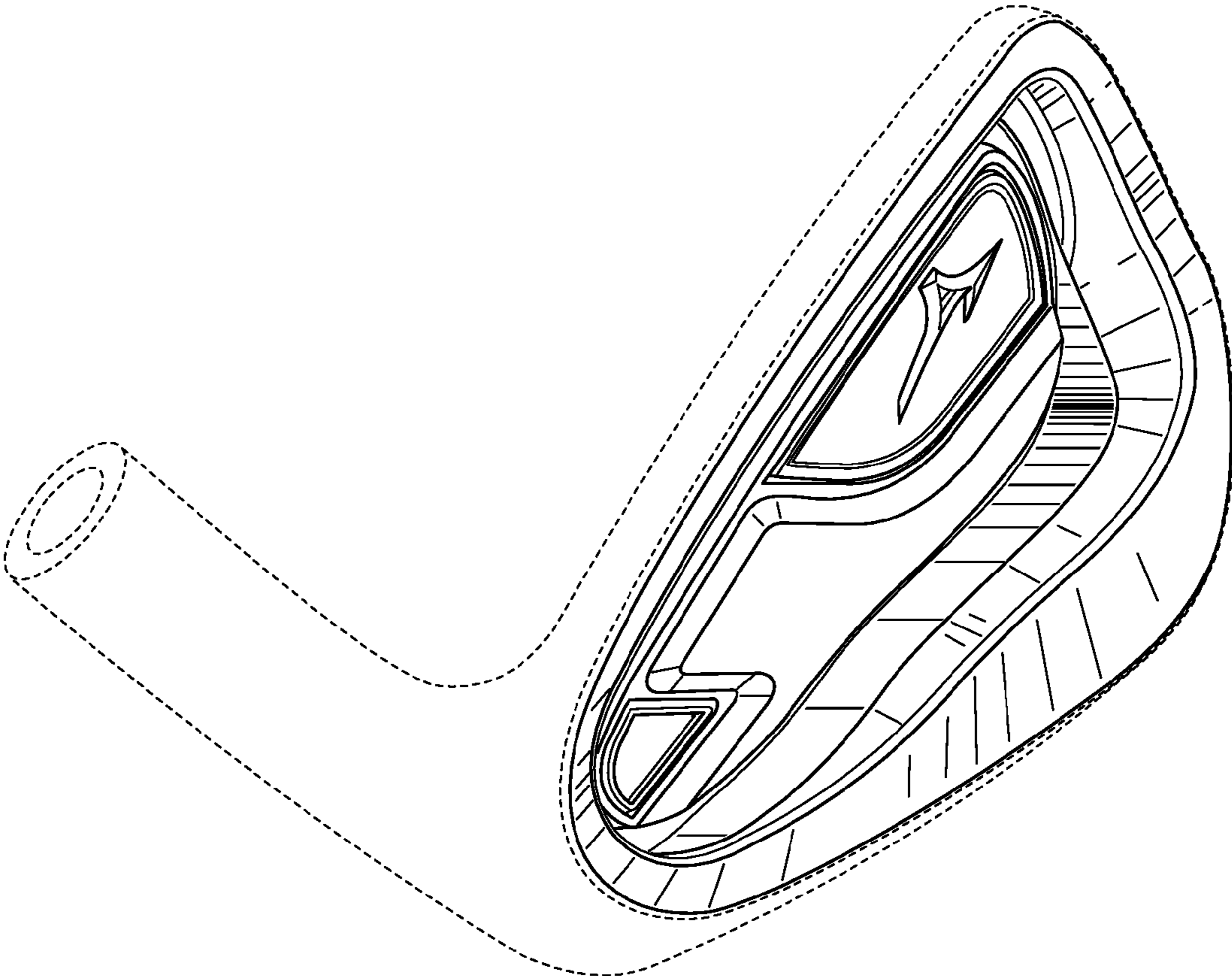


FIG. 1

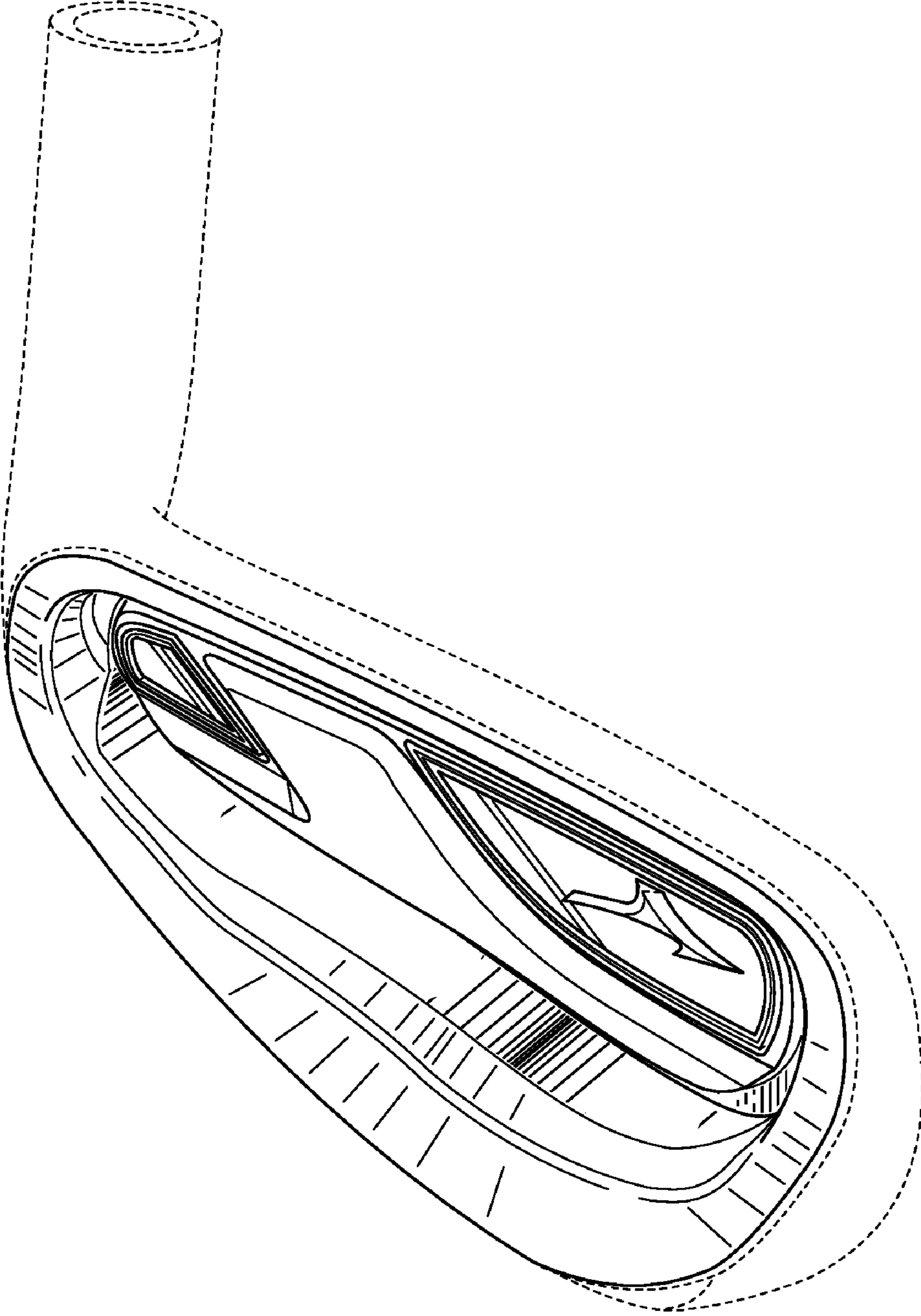


FIG. 2